

JBC

www.jbctools.com

INSTRUCTION MANUAL



CLR

Tip Cleaner for Robot

This manual corresponds to the following reference:

- CLMR-A

Packing List

The following items should be included:



Tip Cleaner for Robot 1 unit



Metal Brushes 1 unit
Ref. CLMU-A8 (2 brushes)



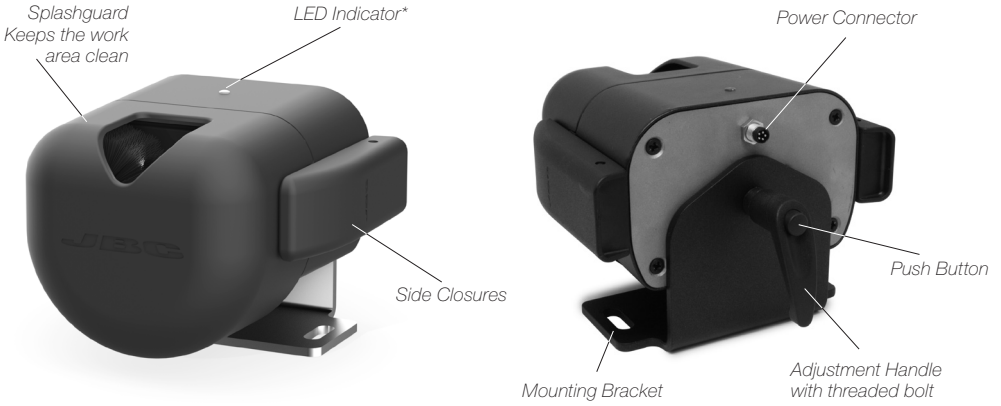
Connector Cable (3m) 1 unit
Ref. 0024563



Manual 1 unit
Ref. 0027878

Features

CLR is an automatic tip cleaner with two motorized brushes. It features a large-capacity collecting container with easy extraction and a wide opening for easy access to the soldering tip.



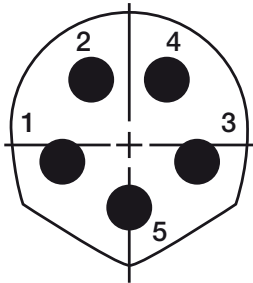
* Blue: Connected
Green: Working
Red (blinking): Blocked (Tip too large or depth limit is exceeded)

Connection



- CLR can be connected to a PLC by a five-pin connector cable.
- The connector provides “switch” input and power supply.
- The input switch manages the cleaner’s activity. It can be connected to a PLC’s digital output and accepts PNP, NPN or relay contacts.

For detailed information about pin distribution see following table:



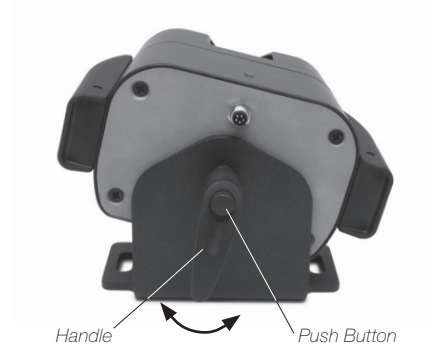
Front view
CLMR Power Connector

Power Connector		
Pin	Color	Description
1	Brown	Power supply input: 24Vdc (±5%). 2.5A current required.
2	White	Not used
3	Blue	Common reference: GND for power supply and switch.
4	Black	Switch input: 0V or 24V to start cleaning. Leave it open to stop.
5	Grey	Not used

Work Position Adjustment

CLR can be turned up to 35° in both directions to facilitate the cartridge tip's insertion.





To pivot the CLR, loosen and tighten the handle to turning it. The Handle can be aligned vertically again by pressing the Push Button.




Accessories: Brush Ranges

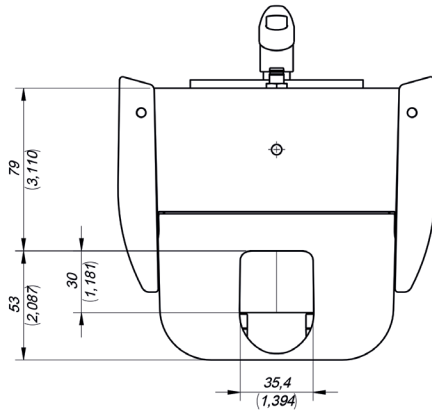
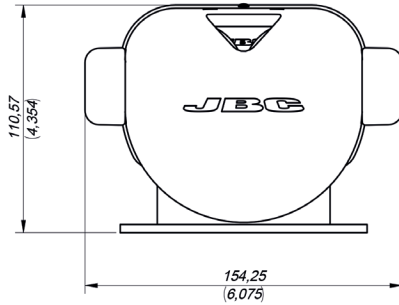
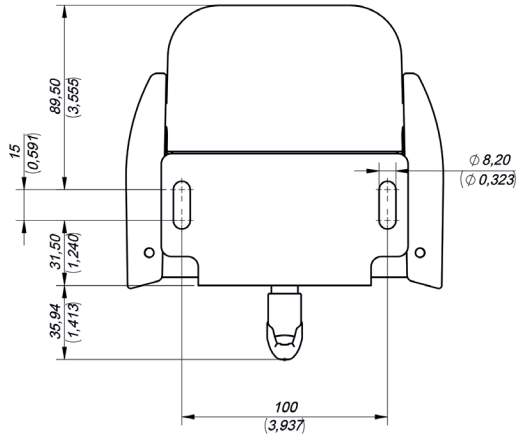
All brushes are offered with black and blue core, to distinguish them when working with lead-free and leaded solder.

Note: As a reference, the cleaning process should last around 1 second.

	CLU8	CLU7	CLUP1 / CLUP2	CLUP7 / CLUP8
				
Material	Metal	Metal	Non-Metal* / Non-Metal HMP*	Non-Metal* / Non-Metal HMP*
Cleaning	Intensive	Intensive	Gentle	Gentle
Max. time use	10 s	10 s	5 s	5 s
Recommended time use	1-2 s	1-2 s	1-2 s	1-2 s
Life cycle	Long	Long	Extended	Extended
Core	Black	Blue	Black	Blue

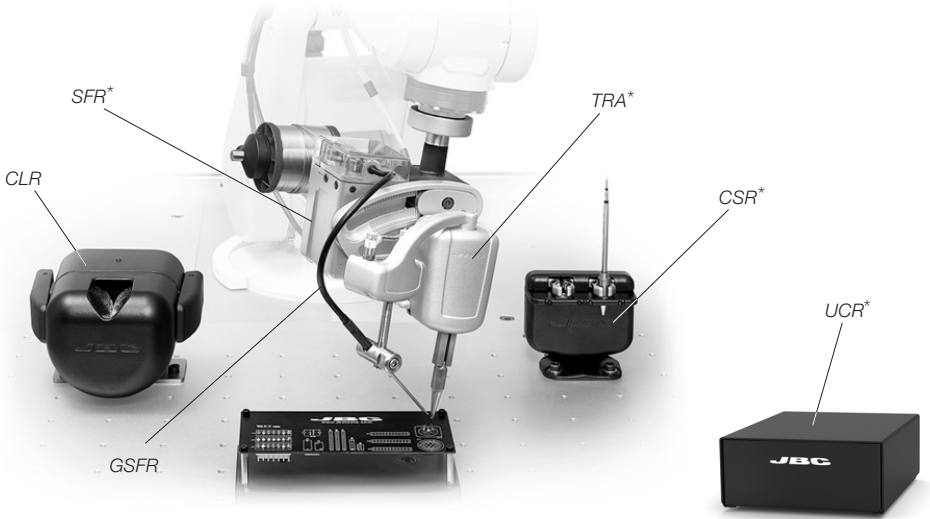
 *Only use the non-metal brushes when they are rotating. Incorrect use will damage them.

Dimensions



$\frac{mm}{(in)}$

Work Place Example



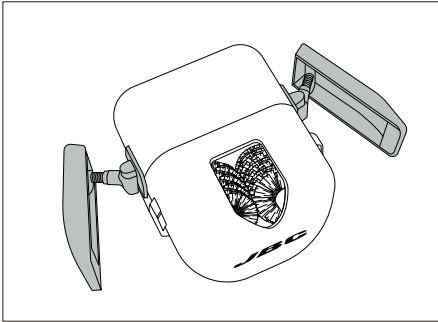
**Not included, sold separately*

Maintenance

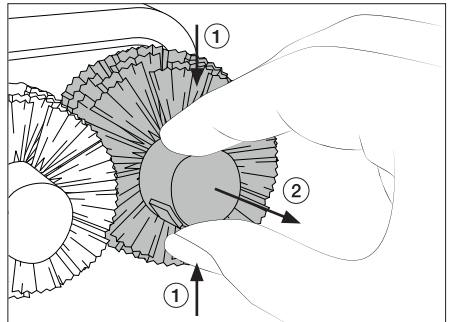
Changing Brushes

Easily replace brushes and clean the solder collector tray as follows:

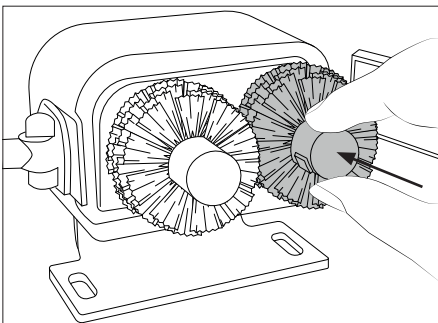
1. Unplug CLR from the mains and open the side closures.



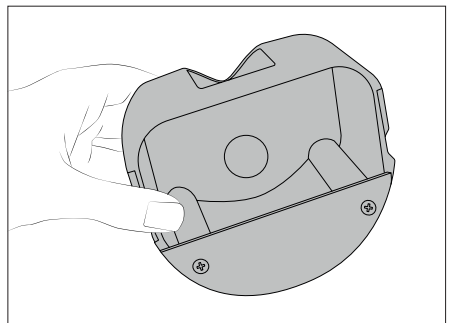
2. Remove the Splashguard and press the brush's buttons (1) to remove them (2).



3. Align the brush axis with the motor axis and insert the brushes. Push them in until a click is heard. Check if the brushes are properly affixed.



4. The Splashguard also works as a tin collector. Clean it and place it back in its position.



- Before carrying out maintenance or storage, unplug the equipment from the mains supply.
- Use a damp cloth to clean the splashguard outside and inside.
- Keep the brushes clean and replace them when necessary.
- Periodically check all cables and tube connections.
- Replace any defective or damaged parts. Use original JBC spare parts only.
- Repairs should be performed only by a JBC authorized technical service.



Safety



It is imperative to follow safety guidelines to prevent electric shock, injury, fire or explosion.

- Do not use the equipment for any purpose other than tip cleaning. It is not a tool stand.
- Do not leave the equipment unattended when it is on.
- You must turn the device off before changing the brushes.
- The temperature of accessible surfaces may remain high after the equipment is turned off. Handle with care.
- Heat can cause inflammable products to ignite even when not visible.
- Avoid contact when brushes are rotating.
- Be carefull with the fumes produced when soldering.
- Keep your workplace clean and tidy. Wear appropriate protection glasses and gloves when working to avoid personal injury.
- Utmost care must be taken with liquid tin waste which can cause burns.

Specifications

CLR

Tip Cleaner for Robot

Ref.: **CLMR-A**

- Brush diameter: 50 mm / 2.0 in
- Net Weight: 2737 g / 6.03 lb

- Package Dimensions/Weight: 221 x 136 x 126 mm / 3060 g
(L x W x H) 8.70 x 5.35 x 4.96 in / 6.75 lb

Complies with CE standards.
ESD protected.

JBC

Warranty

JBC's 2 year warranty covers this equipment against all manufacturing defects, including the replacement of defective parts and labour.

Warranty does not cover product wear or misuse.

In order for the warranty to be valid, equipment must be returned, postage paid, to the dealer where it was purchased.



This product should not be thrown in the garbage.

In accordance with the European directive 2012/19/EU, electronic equipment at the end of its life must be collected and returned to an authorized recycling facility.

