

JBC

www.jbctools.com

INSTRUCTION MANUAL



HM245 / HM470

General / Heavy Duty
Soldering Set for Robot

This manual corresponds to the following references:

- **HM245-5A** works with R245 cartridges

- **HM470-5A** works with R470 cartridges

Packing List

Either one or the other item are included according purchased reference:

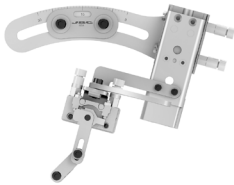


UCR245 General Control Unit for Robot 1 unit
Ref. UCR245-5A



TR245 General Soldering Tool for Robot 1 unit
Ref. TR245-B

The following common items are included:



RBA Soldering Head for Robot 1 unit
Ref. RBA-A



SFR Solder Feeder for Robot 1 unit
Ref. SFR-B



UCR470 Heavy Duty Control Unit for Robot 1 unit
Ref. UCR470-5A



TR470 Heavy Duty Soldering Tool for Robot 1 unit
Ref. TR470-B

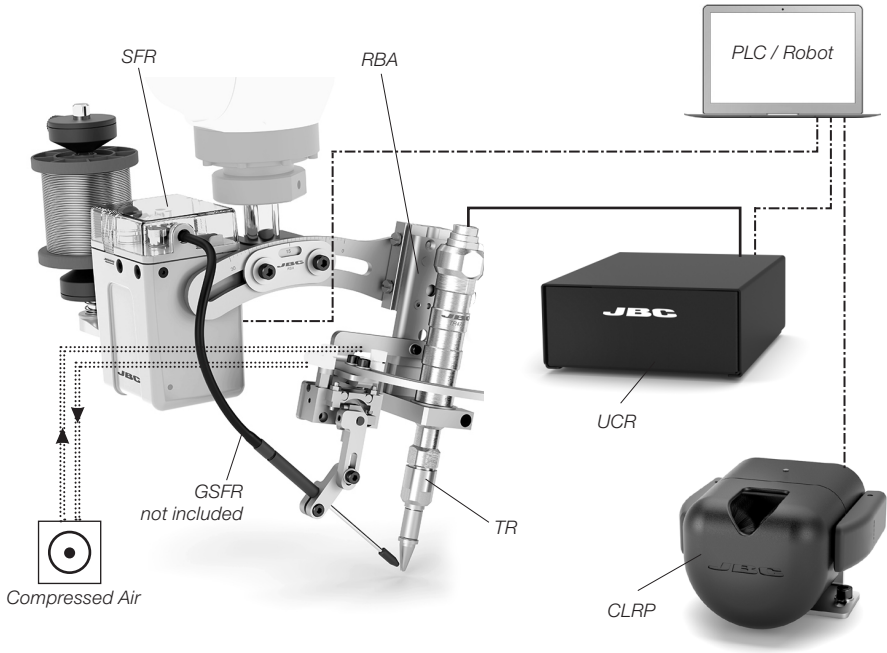


CLRP Tip Cleaner for Robot with Fiber Brushes 1 unit
Ref. CLMR-PA



Manual 1 unit
Ref. 0029984

Connections



Connections:

----- RS 232 Communication

..... Air Tube

—— 100-240 V AC

Further information can be found in the instruction manuals for the individual products, which are contained in the respective product box.

For SFR download the Robot Communication Protocol at www.jbctools.com/jbcsoftware.html

Different Guide Kits GSFR, with and without solder wire perforation, are available at www.jbctools.com

Maintenance and Safety

Follow the instructions in the individual instruction manuals, included in each product box.

Specifications

HM245**General Soldering Set for Robot**Ref.: **HM245-5A****HM470****Heavy Duty Soldering Set for Robot**Ref.: **HM470-5A**

- Total Package Dimensions/Weight: (L x W x H)	545 x 345 x 275 mm / 6 kg 21.46 x 13.58 x 10.83 in / 13.23 lb
---	--

JBC

Warranty

JBC's 2 year warranty covers this equipment against all manufacturing defects, including the replacement of defective parts and labour.

Warranty does not cover product wear or misuse.

In order for the warranty to be valid, equipment must be returned, postage paid, to the dealer where it was purchased.



This product should not be thrown in the garbage.

In accordance with the European directive 2012/19/EU, electronic equipment at the end of its life must be collected and returned to an authorized recycling facility.



www.jbctools.com