

JBC

www.jbctools.com

INSTRUCTION MANUAL



Rework Right Hand Support

Ref. HRR-A

Packing List

The following items are included:

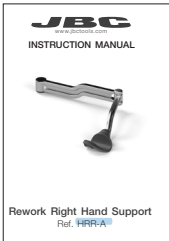
Tool Arm 1 unit
Ref. HRR-A



Height adj. Knob..... 1 unit
Ref. 0023991



Manual 1 unit
Ref. 0024161

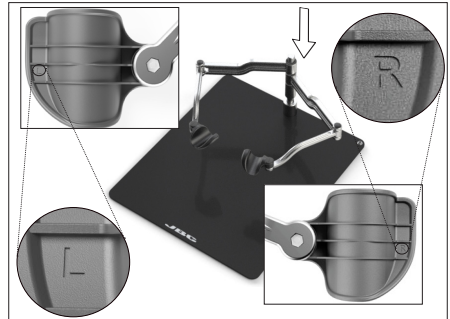


Assembly

Setting up the Tool Arm

Insert the height adjuster and the arm on the shaft and adjust the knob.

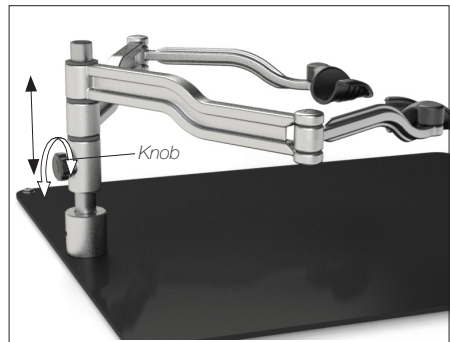
In case of using both left and right arms, set them as shown in the picture, according with the letter back of the arm support, to keep the supports at the same height.



Height Adjustment

The support allows adjustment for different heights according to your work needs through the vertical axis.

Slide the arm to the appropriate height and secure by tightening the knob to guarantee stability.



Maintenance

- Check periodically that the Hand Support is clean, especially the sliding parts and the shaft.
- Use a damp cloth when cleaning. Alcohol can only be used to clean the metal parts.
- Replace any defective damaged parts. Use original JBC spare parts only.



Not leave up the Arms over the PH when PH is working.

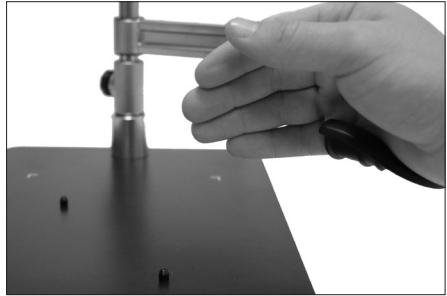


Work Position Adjustment

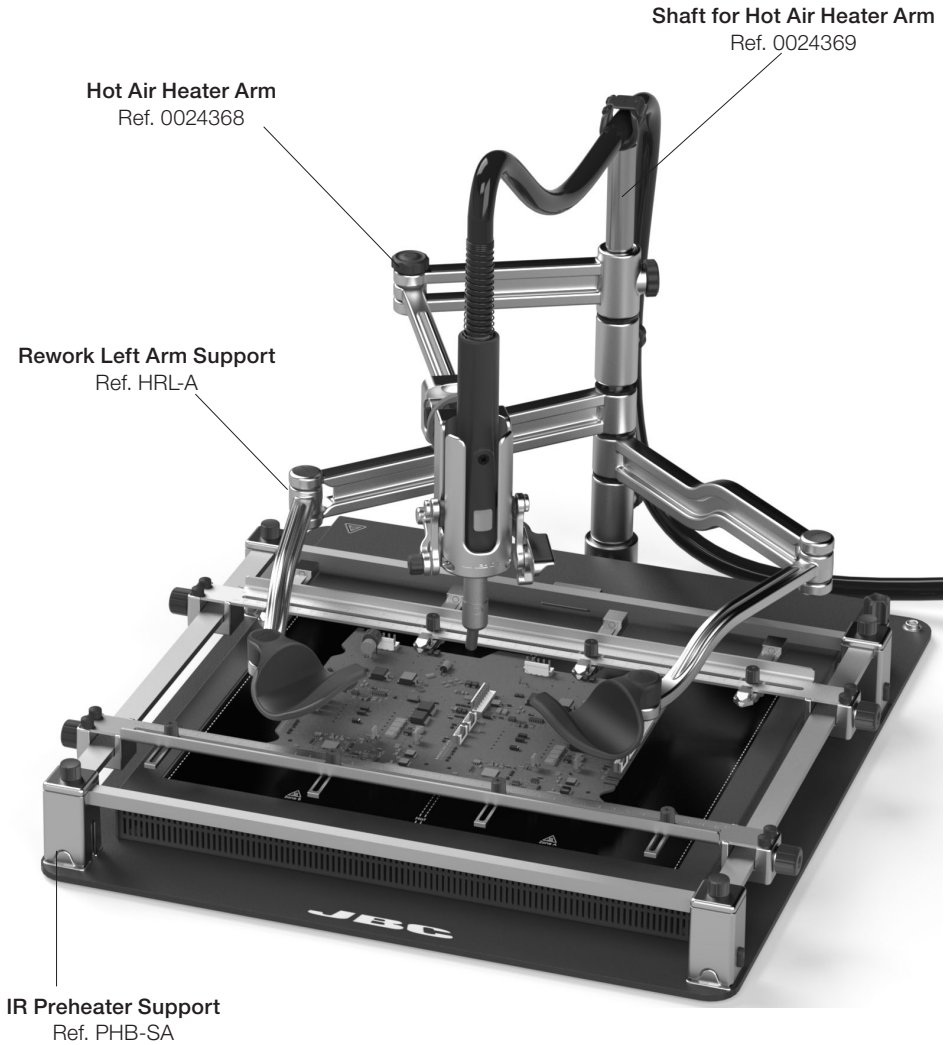
The RHB-A arm allows adjustment for different positions according to your work needs. The articulated arm covers all work areas.



See the work correct position of the hand in the following images.



Accessories



Safety



It is imperative to follow safety guidelines to prevent electric shock, injury, fire or explosions.

- Do not use the equipment for any purpose other than PCB rework. Incorrect use may cause fire.
- The temperature of accessible surfaces may remain high after the unit is turned off. Handle with care.
- Be careful with the fumes produced when soldering.
- Keep your workplace clean and tidy. Wear appropriate protection glasses and gloves when working to avoid personal harm.
- Not leave up the arms directly above heat surfaces
- Utmost care must be taken with liquid tin waste which can cause burns.
- This appliance can be used by children over the age of eight as well as persons with reduced physical, sensory or mental capabilities or lacking experience provided that they have been given adequate supervision or instruction concerning use of the appliance and understand the hazards involved. Children must not play with the appliance.
- Maintenance must not be carried out by children unless supervised.

Notes

Specifications

- Total weight: 1,2 kg (2.65 lb)
- Arm length: 444,5 mm (17.5 in)

Complies with CE standards
ESD Safe

JBC

Warranty

JBC's 2 year warranty covers this equipment against all manufacturing defects, including the replacement of defective parts and labour.

Warranty does not cover product wear or misuse.

In order for the warranty to be valid, equipment must be returned, postage paid, to the dealer where it was purchased.

Register your warranty within 30 days of purchase in www.jbctools.com/productregistration



This product should not be thrown in the garbage.

In accordance with the European directive 2012/19/EU, electronic equipment at the end of its life must be collected and returned to an authorized recycling facility.

