



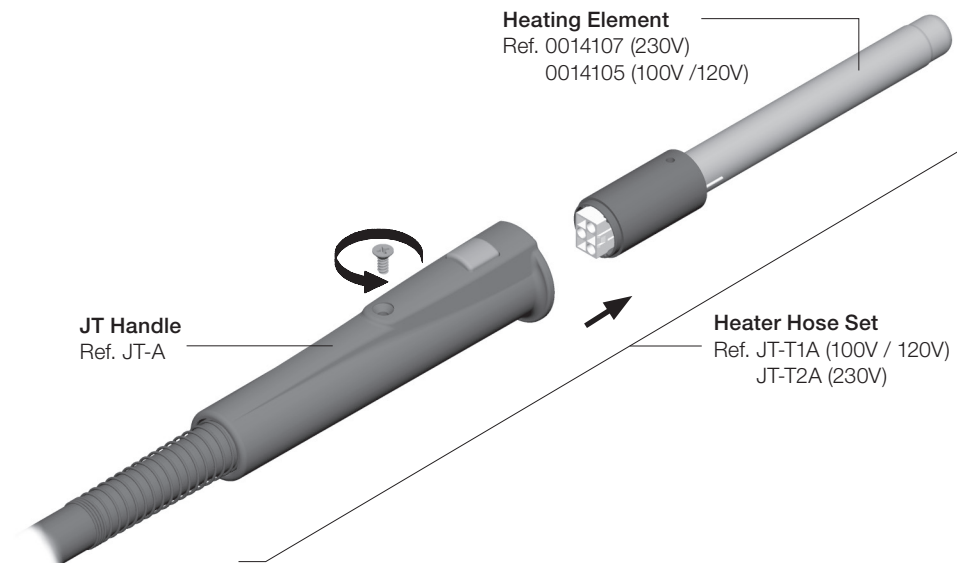
www.jbctools.com

## INSTRUCTION MANUAL

### Replacing the Heating Element

Only perform this operation when the element is cold and the unit is disconnected from the mains.

1. Loosen the screw.
2. Pull the heating element away from the handle.
3. Connect the new heating element, ensuring its pushed all the way in.
4. Tighten the screw.



www.jbctools.com

0009331-1116