

# JBC

[www.jbctools.com](http://www.jbctools.com)

## INSTRUCTION MANUAL



## Electric Desoldering Module

Ref. MSE-A

# Packing List

The following items should be included:

## Electric Desoldering

**Module** .....1 unit  
Ref. MSE-A



**Module Cable connector** .....1 unit  
Ref. 0014874



**Suction Filter** .....1 unit  
Ref. 0821830



**Filter Box** ..... 1 unit  
Ref. 0005966  
*It contains 50 filters*



**Cotton Filter** .....10 units  
Ref. 0781046

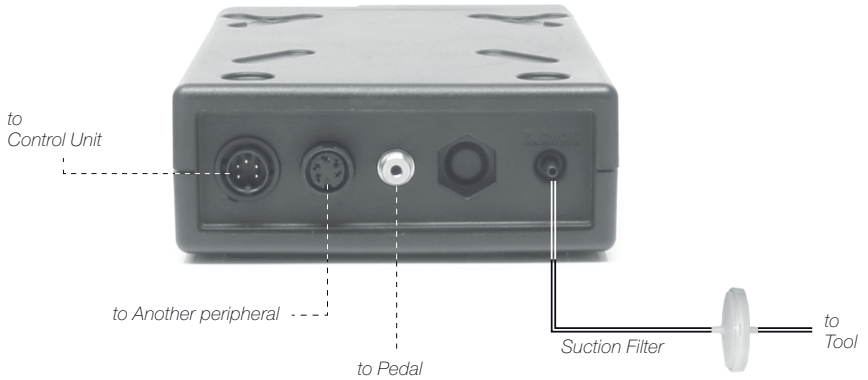


**Manual** .....1 unit  
Ref. 0017954



## Features

### Electric Desoldering Module Ref. MSE-A



## Compatibility

Select the equipment that best suit your soldering or desoldering needs.

Module	Stand	Tool	Cartridge Range	Control Units		Peripherals
				DDE	DME	P-005
MSE-A	DS-SD	DS360-A	C360	●	●	●
	DR-SD	DR560-A	C560	●	●	●

# Initial Set up

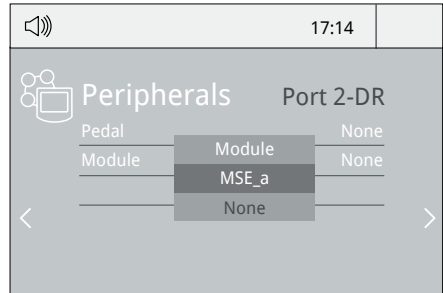


After connecting the module, enter the **Peripherals** Menu and select the port which you want to join with the module.


## Peripherals

### For DDE Control Unit

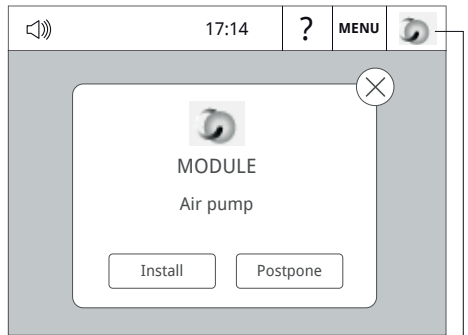
1. Select the module from the list of peripheral connections. Remember your first connection is denoted as "a", the second being "b", etc. (e.g. MSE\_a, MSE\_b,...)
2. Press Menu or Back to save changes. Once set up, you can change the module settings by entering the **Peripherals** Menu.



### For DME Control Unit

When a new module is detected, a pop-up screen appears and proceed as indicated. If no screen is shown, click on the icon  on the main bar and follow the steps.

Once set up, you can change the module settings by entering the **Peripherals** Menu.



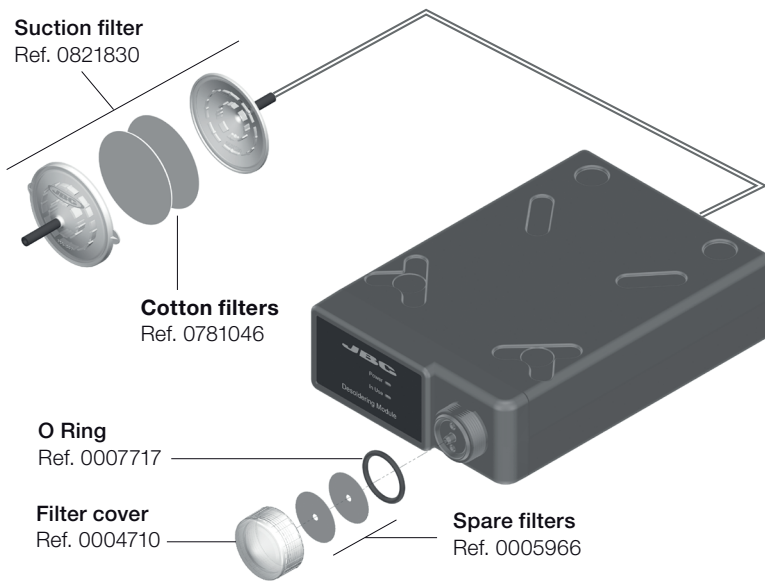
*Appears only when the installation is postponed*

## Maintenance

Before carrying out maintenance or storage, always unplug the equipment.

- Keep the casing clean by using a damp cloth. Specially use a soft cloth for the front side.
- Periodically check all cable and tube connections.
- Keep filters clean to ensure proper solder suction and replace them when necessary.

**Important:** Do not use sharp pointed objects to open the suction filter.



- Use original JBC spare parts only.
- Do not work with defective or damaged pieces.
- Repairs should only be performed by a JBC authorized technical service.
- Maintenance must not be carried out by children unless supervised.

# Safety



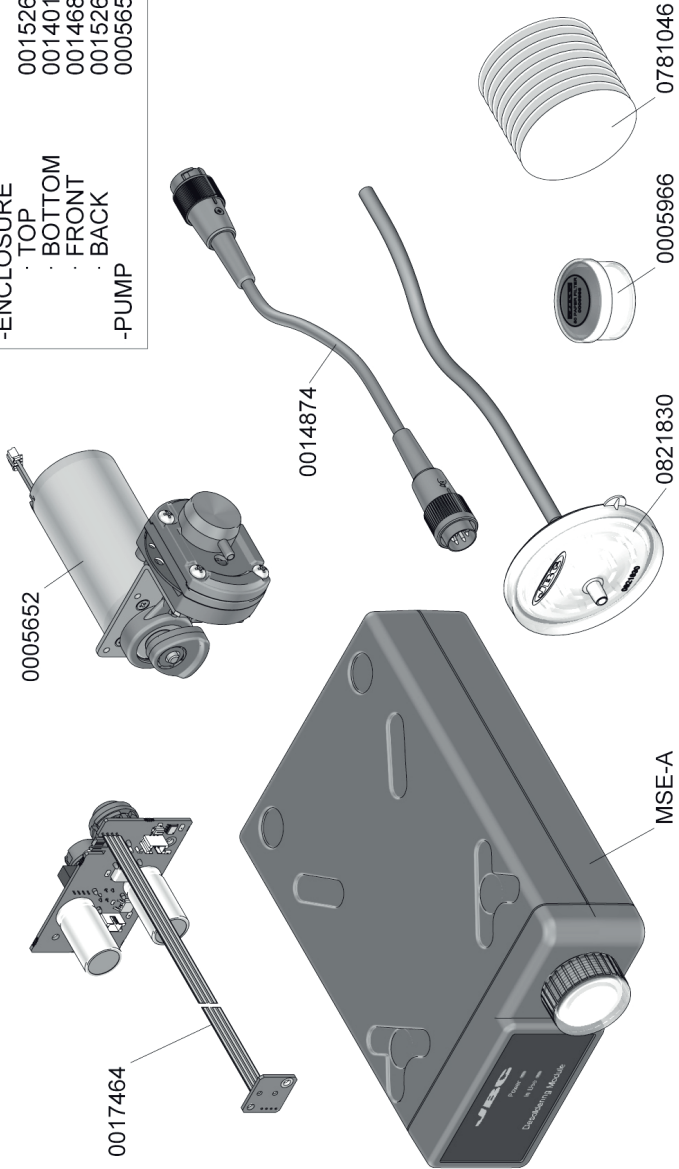
**It is imperative to follow safety guidelines to prevent electric shock, injury, fire or explosion.**

- Do not use the units for any purpose other than soldering or rework. Incorrect use may cause fire.
- The power cord must be plugged into approved bases. Be sure that it is properly grounded before use. When unplugging it, hold the plug, not the wire.
- Do not work on electrically live parts.
- Do not leave the appliance unattended when it is on.
- Do not cover the ventilation grills. Heat can cause inflammable products to ignite.
- Avoid flux coming into contact with skin or eyes to prevent irritation.
- Be careful with the fumes produced when soldering.
- Keep your workplace clean and tidy. Wear appropriate protection glasses and gloves when working to avoid personal harm.
- Utmost care must be taken with liquid tin waste which can cause burns.
- This appliance can be used by children over the age of eight and also persons with reduced physical, sensory or mental capabilities or lack of experience provided that they have been given adequate supervision or instruction concerning use of the appliance and understand the hazards involved. Children must not play with the appliance.

## Exploded View

### MSE-A ELECTRIC DESOLDERING MODULE

SPARE PARTS	
<b>MSE-A:</b>	
-CIRCUIT	0017464
-ENCLOSURE	0015266
· TOP	0014010
· BOTTOM	0014688
· FRONT	0015261
· BACK	0005652
-PUMP	



# Specifications

- Weight: 1,2 kg (2.68 lb)
- Size: 145 x 55 x 225 mm (5.71 x 2.17 x 8.86 in)
- Vacuum: 75% / 570 mmHg / 22.4 inHg
- Flow rate: 9 SLPM
- Ambient operating temperature: 10 - 40 °C (50 - 104 °F)
- Pedal connection

Complies with CE standards.  
ESD protected.

# JBC

## Warranty

JBC's 2 year warranty covers this equipment against all manufacturing defects, including the replacement of defective parts and labour. Warranty does not cover product wear or misuse. In order for the warranty to be valid, equipment must be returned, postage paid, to the dealer where it was purchased.

**Please register your product warranty within 30 days of purchase in:**  
**[www.jbctools.com/productregistration](http://www.jbctools.com/productregistration).**



This product should not be thrown in the garbage.  
In accordance with the European directive 2002/96/EC, electronic equipment at the end of their life must be collected and returned to an authorized recycling facility.



Manual in other languages available on our website

**[www.jbctools.com](http://www.jbctools.com)**