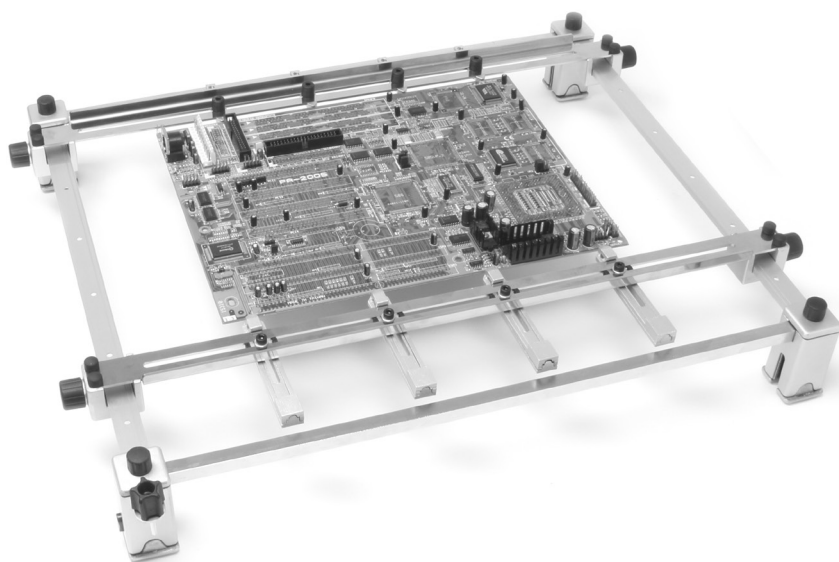


JBC

www.jbctools.com



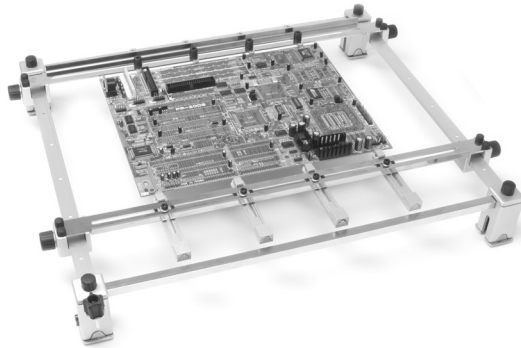
Convection Preheater Support

Ref. PHB-SA

Packing List

The following items should be included:

Convection Preheater Support 1 unit
Ref. PHB-SA



Allen key 1 unit
Ref. 0013754

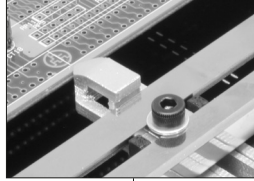


Manual 1 unit
Ref. 0016294



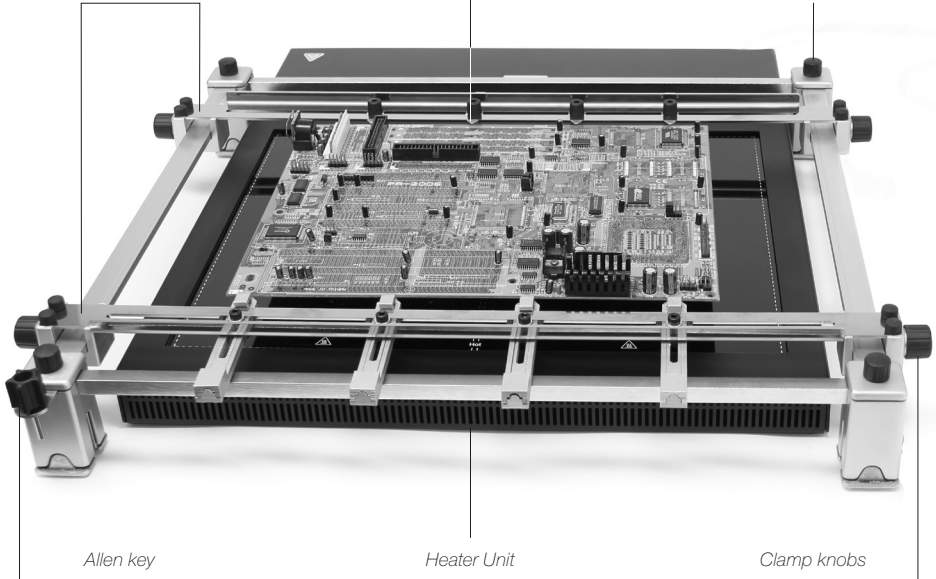
Features

Slot clamps



Sliding guides

Rubber caps



Allen key

Heater Unit

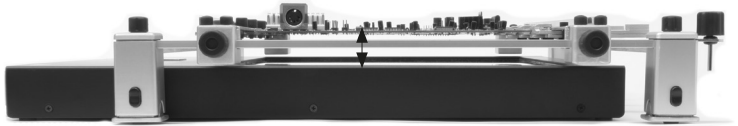
Clamp knobs

Height Adjustment

It allows adjustment for **3 heights** between the PCB and the Heating Area of the PHB-A Heater Unit.

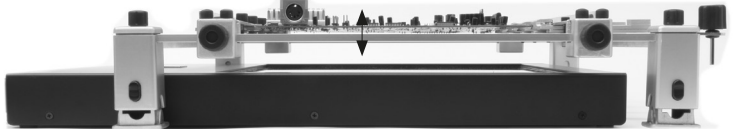
Low level

28 mm



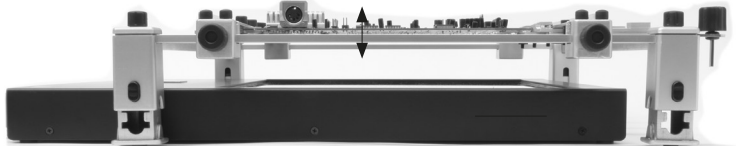
Medium level

38 mm

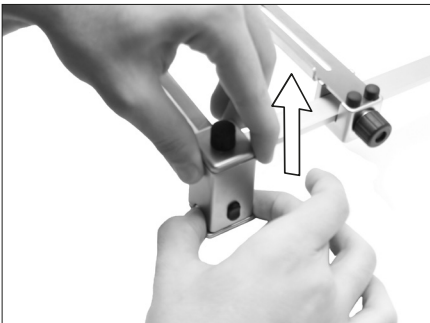


High level

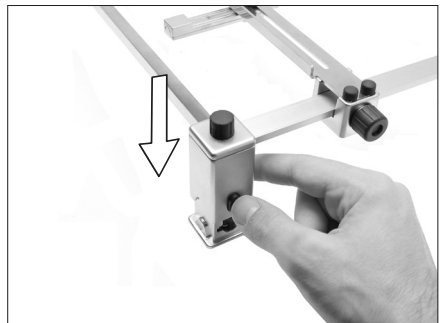
48 mm



To change the height, do as follows:



To raise the support, hold the base and pull up.

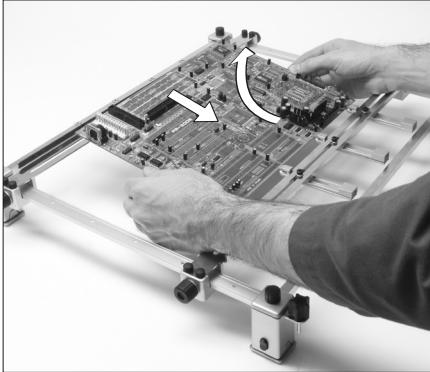


To lower the support, press the button and push down.

Changing PCBs of the same batch

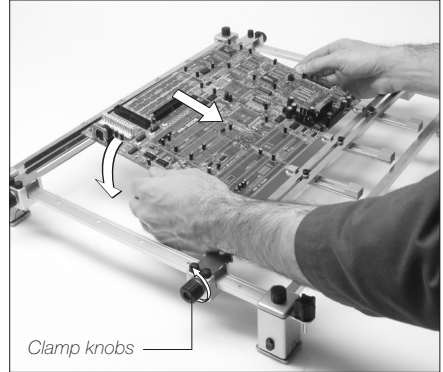
The support lets you place PCBs of the same batch so as to always heat the same area. Use the sliding guides to change the PCBs.

Removing the PCB



Loosen one sliding guide, pull back and lift out the PCB.

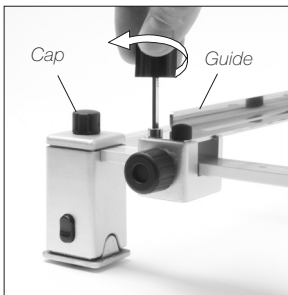
Placing another PCB



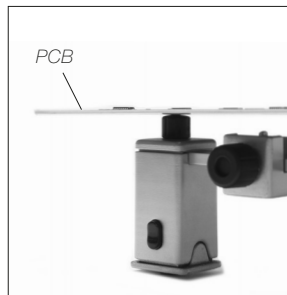
Position it and tighten the sliding guide knobs.

Reworking large PCBs

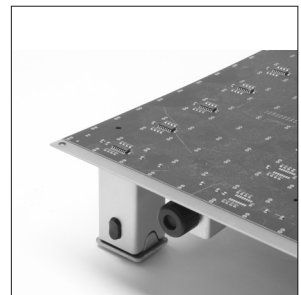
Use the 4 caps to place larger PCBs than the PHB-SA Support or over 3mm thick.



1. Remove both guides by untightening the 8 screws.



2. Place the PCB on the 4 rubber caps.



3. The PCB is ready to work.

Maintenance

Before carrying out maintenance or storage, always allow the support to cool.

- Check periodically that the support is clean, especially the axes of the sliding guide.
- Replace any defective or damaged piece. Use original JBC spare parts only.
- Repairs should only be performed by a JBC authorized technical service.



Safety

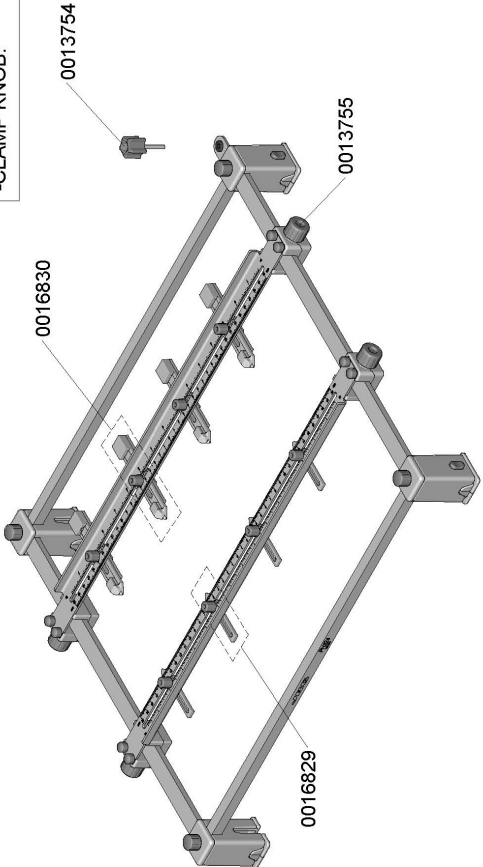


It is imperative to follow safety guidelines to protect health and prevent electric shock, injury, fire or explosions.

- The temperature of accessible surfaces may remain high after the unit is turned off. Handle with care.
- Be careful with the remains of liquid tin. In contact with skin, it can cause burns.
- Avoid flux coming into contact with skin or eyes to prevent irritation.
- Be careful with the smoke produced when soldering.
- Keep your workplace clean and tidy. Wear appropriate protection glasses and gloves when working to avoid personal harm.
- This appliance can be used by children over the age of eight as well as persons with reduced physical, sensory or mental capabilities or lacking experience provided that they have been given adequate supervision or instruction concerning use of the appliance and understand the hazards involved. Children must not play with the appliance.
- Maintenance must not be carried out by children unless supervised.

Exploded View**PHB-SA
CONVECTION PREHEATER SUPPORT**

SPARE PARTS	
PHB-SA:	
-SLOT CLAMP:	0016829
-BIG SLOT CLAMP:	0016830
-ALLEN KEY:	0013754
-CLAMP KNOB:	0013755



Specifications

- Weight: 2,8 kg (6.2 lb)
- Dimensions (Low Position): 432 x 514 x 78 mm (17 x 20.2 x 3.1 in)
- Dimensions (High Position): 432 x 514 x 98 mm (17 x 20.2 x 3.9 in)
- Maximum thickness of PCB: 6 mm

Complies with CE standards.
ESD protected housing.



Warranty

JBC's 2 year warranty covers this equipment against all manufacturing defects, including the replacement of defective parts and labour. Warranty does not cover product wear or misuse. In order for the warranty to be valid, equipment must be returned, postage paid, to the dealer where it was purchased. Please register your product warranty within 30 days of purchase in www.jbctools.com/productregistration.



This product should not be thrown in the garbage. In accordance with the European directive 2002/96/EC, electronic equipment at the end of their life must be collected and returned to an authorized recycling facility.



Manual in other languages available on our website

www.jbctools.com