

# **JBC**

[www.jbctools.com](http://www.jbctools.com)

## **INSTRUCTION MANUAL**



## **Rework Hand Support Set for PHB**

Ref. RHB-A

# Packing List

The following items are included:

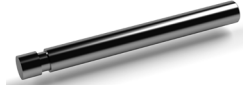
**Tool Arm** ..... 1 unit  
Ref. HRR-A



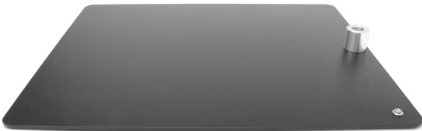
**Height adj. Knob**..... 1 unit  
Ref. 0023991



**Shaft** ..... 1 unit



**Base** ..... 1 unit



**Screw** ..... 1 unit  
Ref. 0017057



**Allen key** ..... 1 unit  
Ref. 0013609



**Manual** ..... 1 unit  
Ref. 0023891

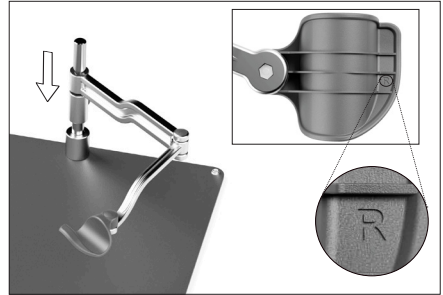


## Assembly

### Setting up the Tool Arm

Fit the tool arm onto the base and tighten the screw.

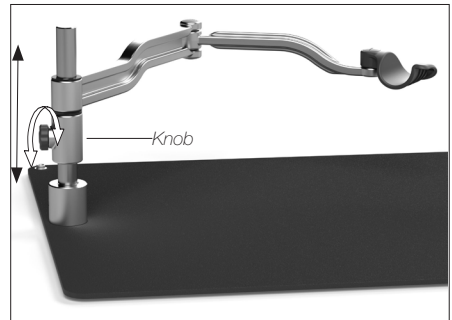
The tool arm position should be like the image according with the letter back of the arm support.



### Height Adjustment

The RHB-A Arm allows adjustment for different heights according to your work needs through the vertical axis.

Slide the arm to the appropriate height and secure by tightening the knob to guarantee stability.

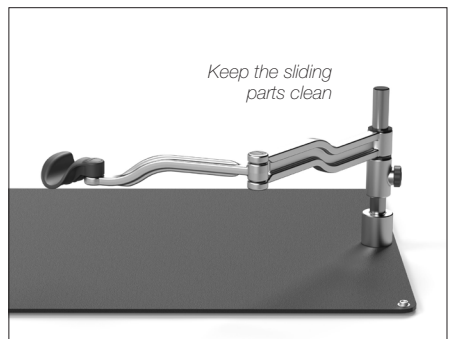


## Maintenance

- Check periodically that the RHB-A is clean, especially the sliding parts and the shaft.
- Use a damp cloth when cleaning. Alcohol can only be used to clean the metal parts.
- Replace any defective damaged parts. Use original JBC spare parts only.

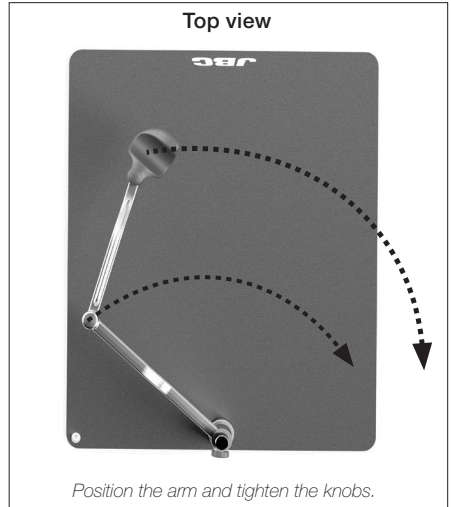


Not leave up the RHB-A over the PH when PH is working.

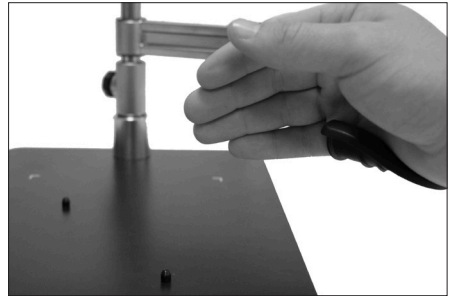
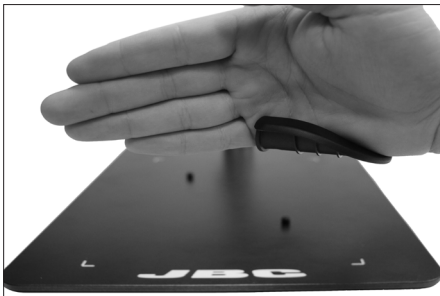


# Work Position Adjustment

The RHB-A arm allows adjustment for different positions according to your work needs.

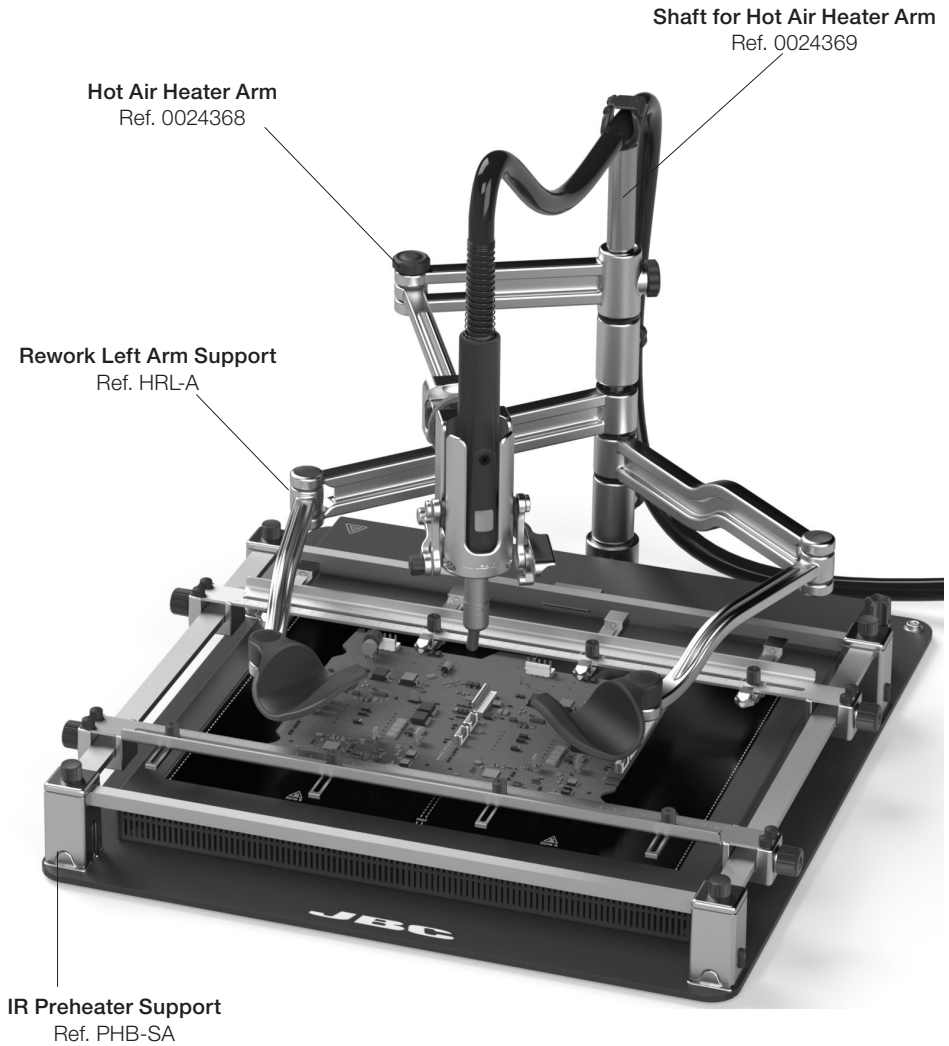


See the work correct position of the hand in the following images.



## Accessories

Ideal for working with JBC's Hot Air stations and a Preheater, especially the PHB-KA.



## Safety



**It is imperative to follow safety guidelines to prevent electric shock, injury, fire or explosions.**

- Do not use the equipment for any purpose other than PCB rework. Incorrect use may cause fire.
- The temperature of accessible surfaces may remain high after the unit is turned off. Handle with care.
- Be careful with the fumes produced when soldering.
- Keep your workplace clean and tidy. Wear appropriate protection glasses and gloves when working to avoid personal harm.
- Not leave up the arms directly above heat surfaces.
- Utmost care must be taken with liquid tin waste which can cause burns.
- This appliance can be used by children over the age of eight as well as persons with reduced physical, sensory or mental capabilities or lacking experience provided that they have been given adequate supervision or instruction concerning use of the appliance and understand the hazards involved. Children must not play with the appliance.
- Maintenance must not be carried out by children unless supervised.



# Specifications

- Total weight: 11,8 kg (260.1 lb)
- Base dimensions: 480 x 550 mm (18.9 x 21.7 in)
- Height: 205 mm (8.1 in)
- Arm length: 498,1 mm (19.6 in)
- ESD safe connector

Complies with CE standards  
ESD Safe

# JBC

## Warranty

JBC's 2 year warranty covers this equipment against all manufacturing defects, including the replacement of defective parts and labour.

Warranty does not cover product wear or misuse.

In order for the warranty to be valid, equipment must be returned, postage paid, to the dealer where it was purchased.

**Register your warranty within 30 days of purchase in [www.jbctools.com/productregistration](http://www.jbctools.com/productregistration)**



This product should not be thrown in the garbage.

In accordance with the European directive 2012/19/EU, electronic equipment at the end of its life must be collected and returned to an authorized recycling facility.

