

JBC

www.jbctools.com

INSTRUCTION MANUAL



Soldering Irons for Automation

Ref. TR245-A

Packing List

The following items are included:

Soldering Iron 1 unit

Ref. TR245-A

Works with

R245 Cartridges



Clamp 1 unit

Ref. 0018779



Insulator 1 unit

Ref. 0020440



Screws

DIN 912 M3X10..... 2 units

Ref. 0722900



Screw

DIN 912 M4X16..... 1 unit

Ref. 0002984

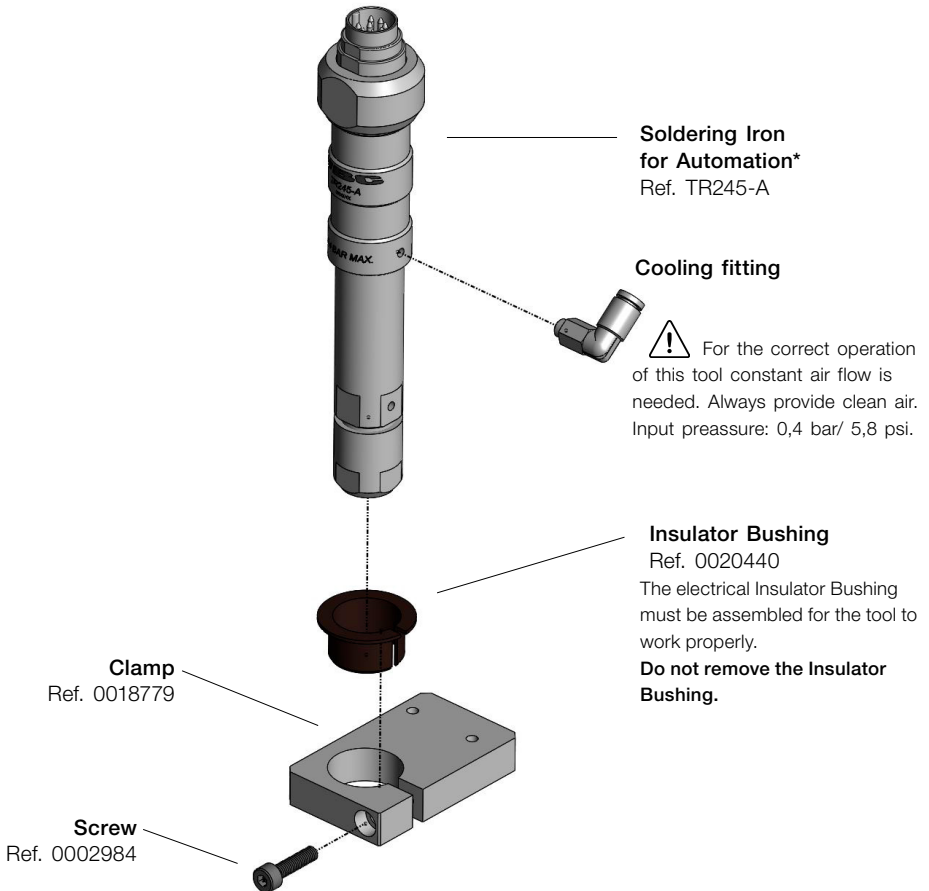


Manual 1 unit

Ref. 0020951

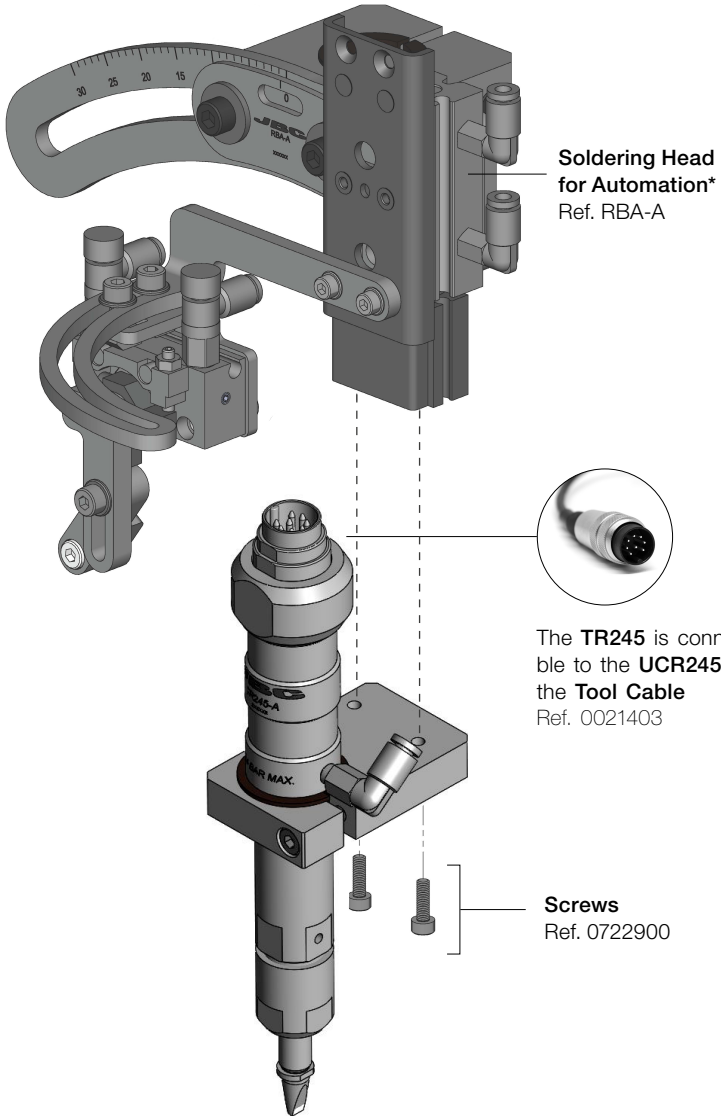


Assembly



* If the Soldering Iron is fixed in another way, it must be isolated from the fixation.

Assembly with RBA-A



* Not included, sold separately

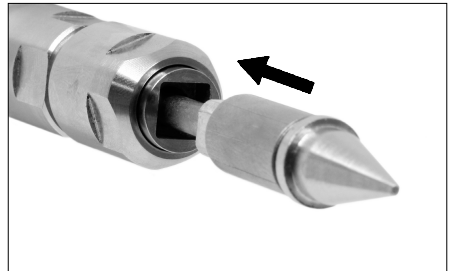
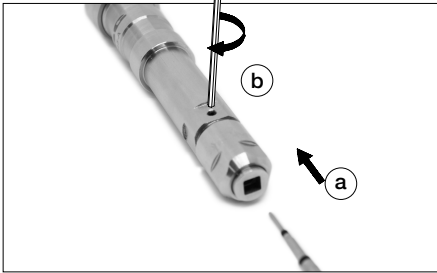
Inserting and removing Cartridges



For any hand operation make sure the power is off and both tool and cartridge are cold. Before removing or inserting the cartridge, make sure air pressure is off.

Insert the cartridge and press lightly until it is placed in the Soldering Iron for Automation (a). Use an allen key to tighten the Cartridge in the Handle (b).

The square recess of the Soldering Iron for Automation must be matched with the square shape of the Cartridge. Insert the Cartridge until the two square shapes come to a limit stop inside.



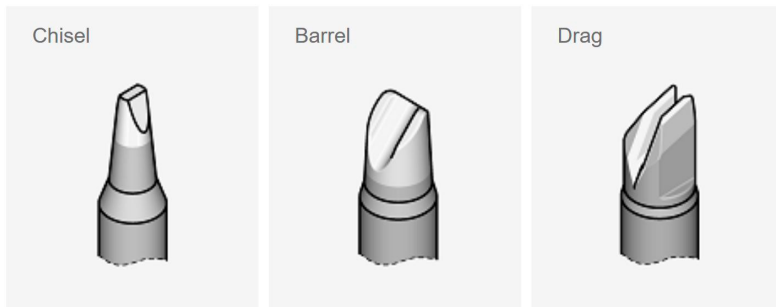
Compatibility

| | Cartridge Range | Control Unit |
|-------|-----------------|--------------|
| TR245 | R245 | UCR245 |

RBA, SFR, GSFR and CLMR are compatible with both R245 and R470 ranges.

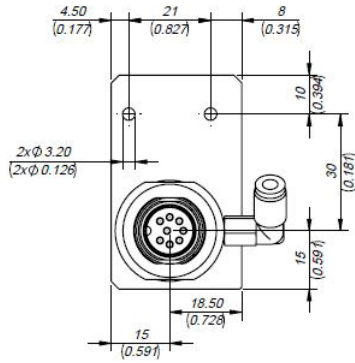
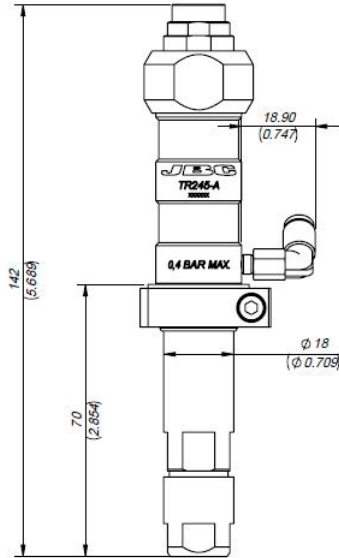
Cartridge range

Find the cartridge models that best suits your soldering needs in www.jbctools.com



Dimensions

TR245-A



$\frac{mm}{(in)}$

Maintenance

- Before carrying out maintenance, always unplug the tool.
- Use a damp cloth to clean the tool. Alcohol can only be used to clean the metal parts.
- Periodically check that the metal parts of the tool are clean so the station can detect the tool status.
- Maintain tip surface clean and tinned prior to storage in order to avoid tip oxidation. Rusty and dirty surfaces reduce heat transfer to the solder joint.
- Replace any defective or damaged parts. Use original JBC spare parts only.
- Repairs should only be performed by a JBC authorized technical service.

Safety



It is imperative to follow safety guidelines to prevent electric shock, injury, fire or explosion.

- Do not use the soldering iron for any purpose other than soldering or rework. Incorrect use may cause fire.
- The temperature of accessible surfaces may remain high after the unit is turned off. Handle with care.
- Do not leave the appliance unattended when it is on.
- Be sure that the power supply is disconnected before changing any spare part.
- Allow cartridges to cool down before changing them.
- Heat can cause inflammable products to ignite even when not visible.
- Avoid flux coming into contact with skin or eyes to prevent irritation.
- Be careful with the fumes produced when soldering.
- Keep your workplace clean and tidy. Wear appropriate protective glasses and gloves when working to avoid personal injury.
- Utmost care must be taken with liquid tin waste which can cause burns.

Specifications

TR245-A

- Net Weight: 230 g (0.51 lb)
- Dimensions: 144.5 x 28 mm (5.69 x 1.10 in)

Clamp only

- Net Weight: 44 gr (0.10 lb)
- Dimensions: 55 x 33.5 x 10 mm (2.16x 13.18 x 0.39 in)

Complies with CE standards.

ESD protected.

JBC

Warranty

JBC's 2 year warranty covers this equipment against all manufacturing defects, including the replacement of defective parts and labour.

Warranty does not cover product wear or misuse.

In order for the warranty to be valid, equipment must be returned, postage paid, to the dealer where it was purchased.



This product should not be thrown in the garbage.

In accordance with the European directive 2012/19/EU, electronic equipment at the end of its life must be collected and returned to an authorized recycling facility.

