



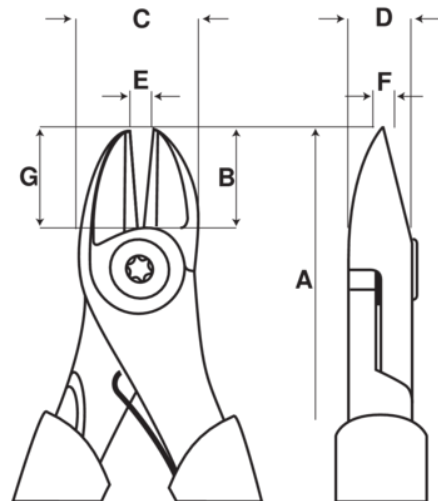
## JHW2101PG-7 Plastic Cutting Side Pliers




### PRODUCT DETAILS

- Full flush cutting edge without beveling which is designed to smoothly cut all kinds of plastic parts such as the flash of plastic components
- Suitable for bridle cutting
- Comfortable two-component handles which combines durability and a secure non-slip grip
- Extra wide handle reduces stress and strain, and increases comfort
- Lacquer finish protects against rust
- High frequency hardened cutting edges hold their precision-sharpened cutting surfaces
- Unique on-off return spring; turn on to reduce handle fatigue, off to store in tool belt or pocket

▲ WARNING ▲



PRODUCT ATTRIBUTES

Product	A	B	C	D	E	F	G	
<b>JHW2101PG-7</b>	160 mm	18.1 mm	21 mm	9 mm	2 mm	1.5 mm	18.1 mm	162 g