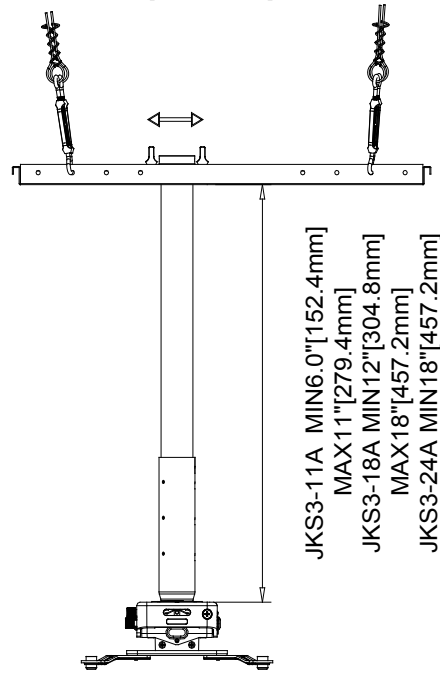
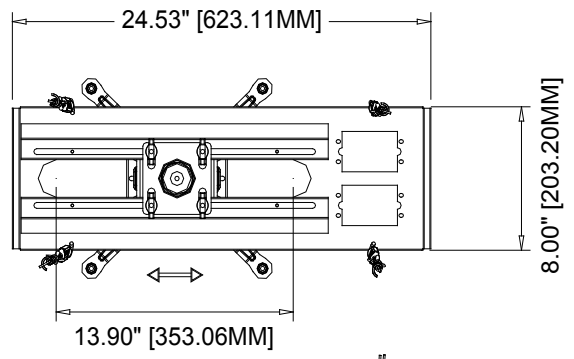
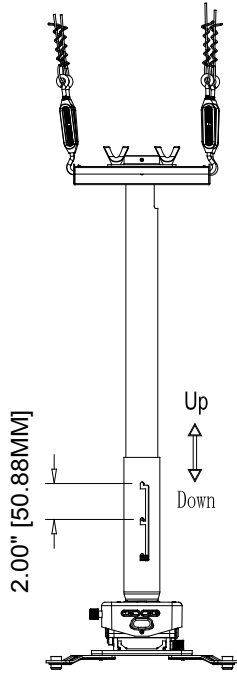


1 2 3 4 5 6 7 8

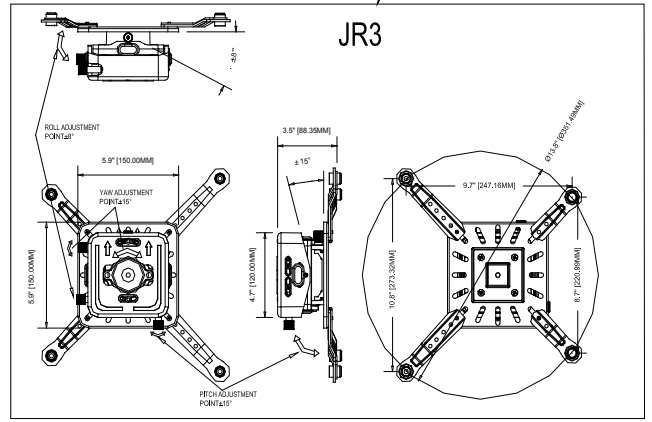
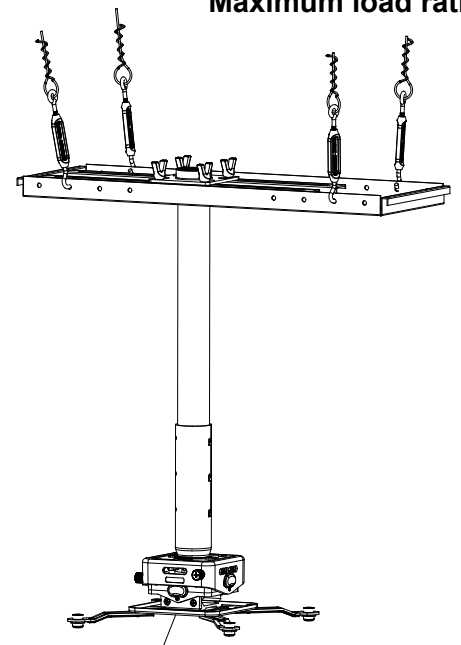
D
C
B
A



- JKS3-11A MIN6.0" [152.4mm]
MAX11" [279.4mm]
- JKS3-18A MIN12" [304.8mm]
MAX18" [457.2mm]
- JKS3-24A MIN18" [457.2mm]
MAX24" [609.6mm]



Maximum load rating: 70 lbs



THE INFORMATION CONTAINED IN THIS DRAWING IS THE SOLE PROPERTY OF CRIMSON AV LLC. ANY REPRODUCTION IN PART OR AS A WHOLE WITHOUT THE WRITTEN PERMISSION OF CRIMSON AV LLC IS PROHIBITED



CRIMSON AV LLC.
Scale=1:1
PRODUCT ORDER NUMBER: JKS3-11A/18A/24A
PHONE: 1-866-668-6888

Crimson AV LLC. www.crimsonav.com	
TITLE: JKS3-11A/18A/24A	
SIZE B	DWG.N.O. JKS3-11A/18A/24A

1 2 3 4 5 6 7 8