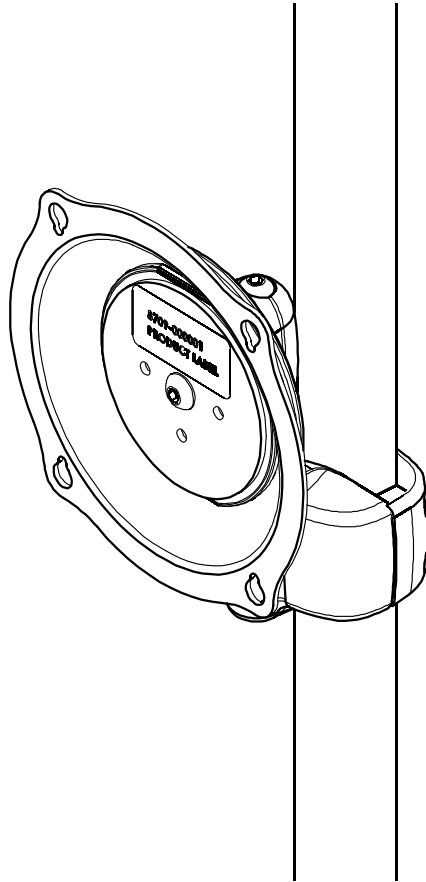

INSTALLATION INSTRUCTIONS



Medium Panel Pole Mount

DISCLAIMER

Milestone AV Technologies, Inc., and its affiliated corporations and subsidiaries (collectively, "Milestone"), intend to make this manual accurate and complete. However, Milestone makes no claim that the information contained herein covers all details, conditions or variations, nor does it provide for every possible contingency in connection with the installation or use of this product. The information contained in this document is subject to change without notice or obligation of any kind. Milestone makes no representation of warranty, expressed or implied, regarding the information contained herein. Milestone assumes no responsibility for accuracy, completeness or sufficiency of the information contained in this document.

! IMPORTANT WARNINGS AND CAUTIONS!

! WARNING: A WARNING alerts you to the possibility of serious injury or death if you do not follow the instructions.

! CAUTION: A CAUTION alerts you to the possibility of damage or destruction of equipment if you do not follow the corresponding instructions.

! WARNING: Failure to read, thoroughly understand, and follow all instructions can result in serious personal injury, damage to equipment, or voiding of factory warranty! It is the installer's responsibility to make sure all components are properly assembled and installed using the instructions provided.

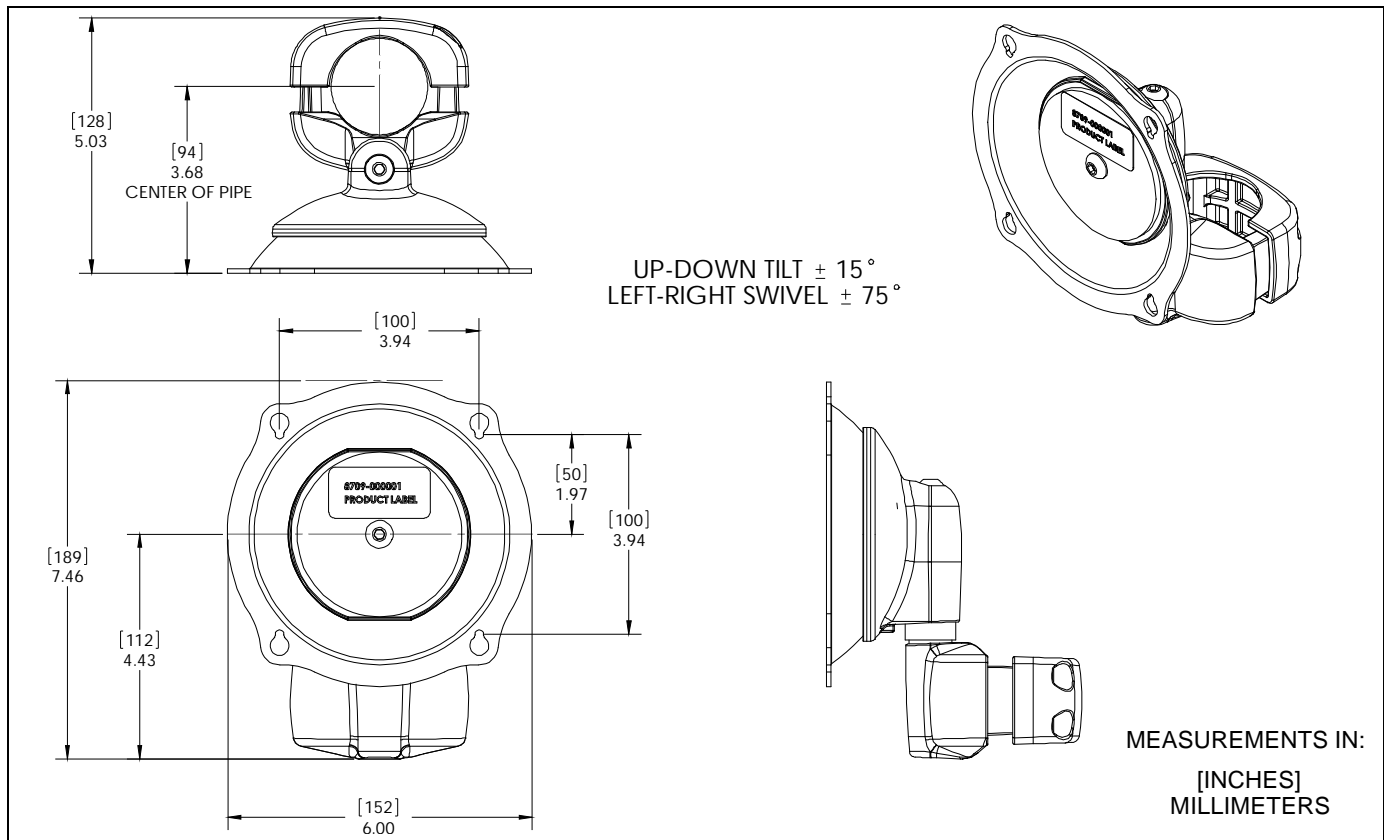
! WARNING: Failure to provide adequate structural strength for this component can result in serious personal injury or damage to equipment! It is the installer's responsibility to make sure the structure to which this component is attached can support five times the combined weight of all equipment. Reinforce the structure as required before installing the component.

! WARNING: Exceeding the weight capacity can result in serious personal injury or damage to equipment! It is the installer's responsibility to make sure the combined weight of all components located between the JPP up to (and including) the display does not exceed 75 lbs (34.02 kg).

- The weight capacity of the JPP mount may be LIMITED to the lowest weight capacity of any other component located between the JPP and the supporting structure!

Chief® and Centris™ are trademarks of Milestone AV Technologies, Inc. All rights reserved.

DIMENSIONS



LEGEND

	Tighten Fastener
	Apretar elemento de fijación
	Befestigungsteil festziehen
	Apertar fixador
	Serrare il fissaggio
	Bevestiging vastdraaien
Serrez les fixations	

	Loosen Fastener
	Aflojar elemento de fijación
	Befestigungsteil lösen
	Desapertar fixador
	Allentare il fissaggio
	Bevestiging losdraaien
Desserrez les fixations	

	Phillips Screwdriver
	Destornillador Phillips
	Kreuzschlitzschraubendreher
	Chave de fendas Phillips
	Cacciavite a stella
	Kruiskopschroevendraaier
Tournevis à pointe cruciforme	

	Open-Ended Wrench
	Llave de boca
	Gabelschlüssel
	Chave de bocas
	Chiave a punte aperte
	Steeksleutel
Clé à fourche	

	By Hand
	A mano
	Von Hand
	Com a mão
	A mano
	Met de hand
À la main	

	Hex-Head Wrench
	Llave de cabeza hexagonal
	Sechskantschlüssel
	Chave de cabeça sextavada
	Chiave esagonale
	Zeskantsleutel
Clé à tête hexagonale	

	Pencil Mark
	Marcar con lápiz
	Stiftmarkierung
	Marcar com lápis
	Segno a matita
	Potloodmerkten
Marquage au crayon	

	Drill Hole
	Perforar
	Bohrloch
	Fazer furo
	Praticare un foro
	Gat boren
Percez un trou	

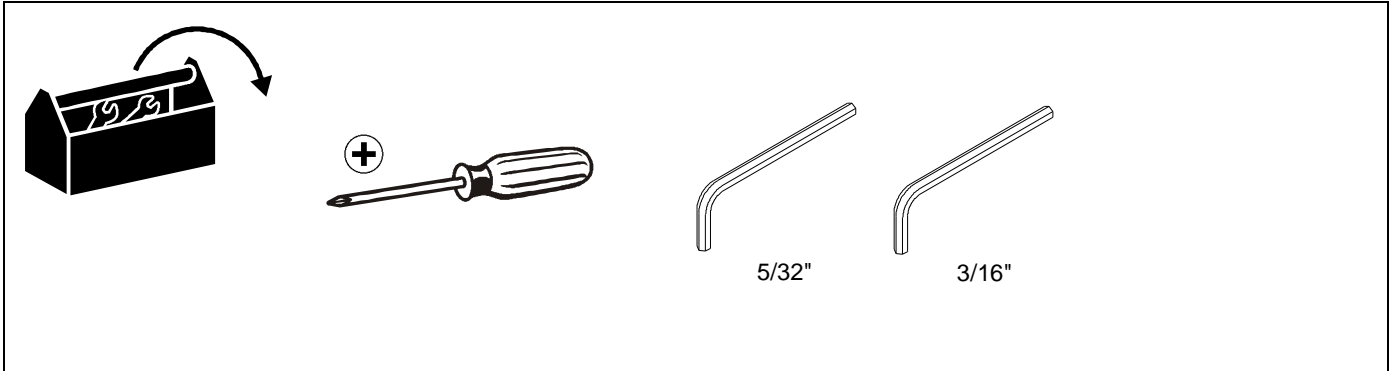
	Adjust
	Ajustar
	Einstellen
	Ajustar
	Regolare
	Afstellen
Ajuster	

	Remove
	Quitar
	Entfernen
	Remover
	Rimuovere
	Verwijderen
Retirez	

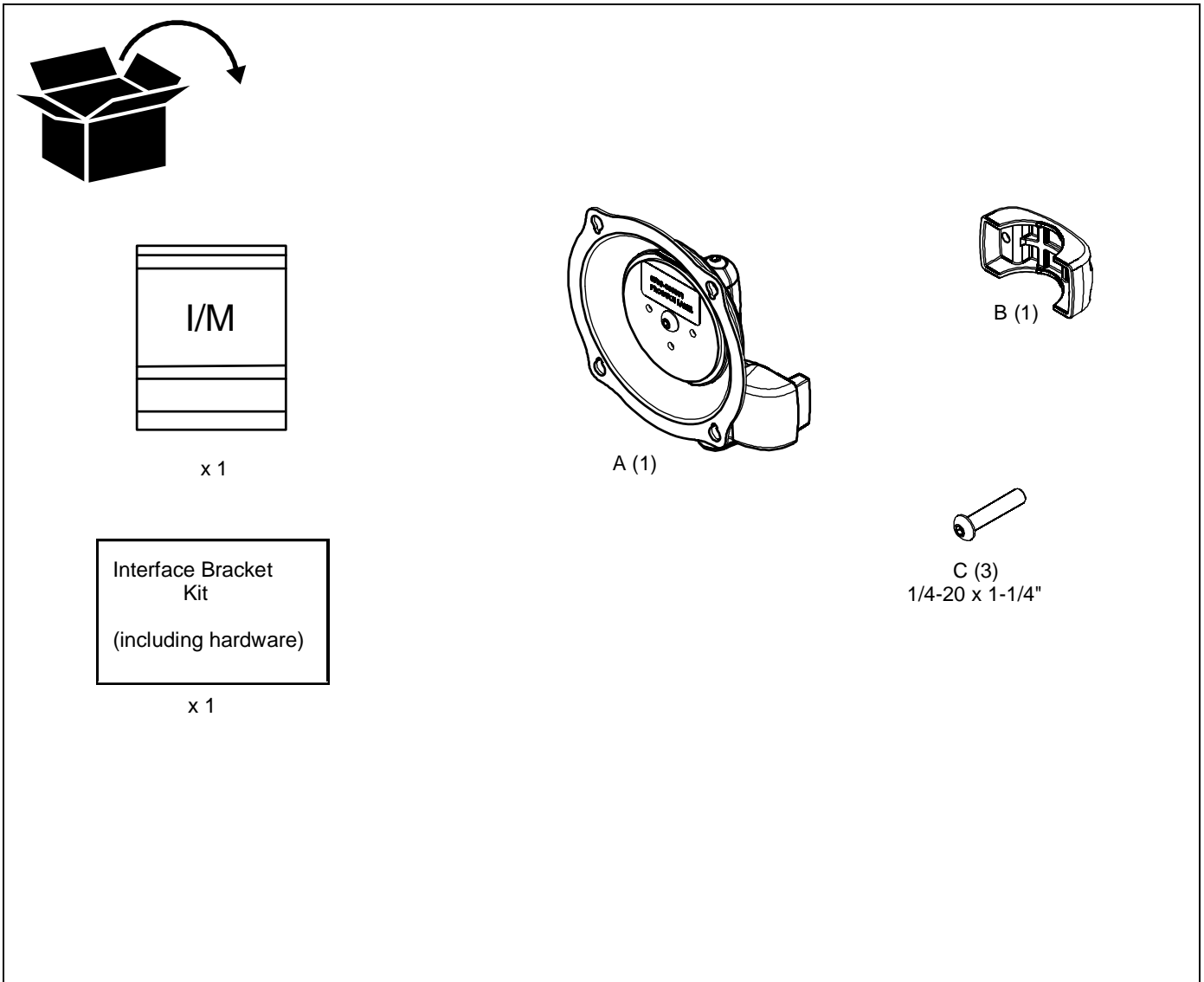
	Optional
	Opcional
	Optional
	Opcional
	Opzionale
	Optie
En option	

	Security Wrench
	Llave de seguridad
	Sicherheitsschlüssel
	Chave de segurança
	Chiave di sicurezza
	Veiligheidsleutel
Clé de sécurité	

TOOLS REQUIRED FOR INSTALLATION



PARTS



INSTALLATION

IMPORTANT ! : The following installation instructions assume that a 1-1/2" NPT pipe has been properly installed and is in place.

1. Determine approximate location for mount keeping in mind display size, extension, height adjustment (if applicable), and pitch/roll requirements.
2. Place mount (A) against pole, with clamp (B) on opposite side of pole (See Figure 1). Using 5/32" hex key, loosely assemble with three 1/4-20 x 1-1/4" button head cap screws (C).

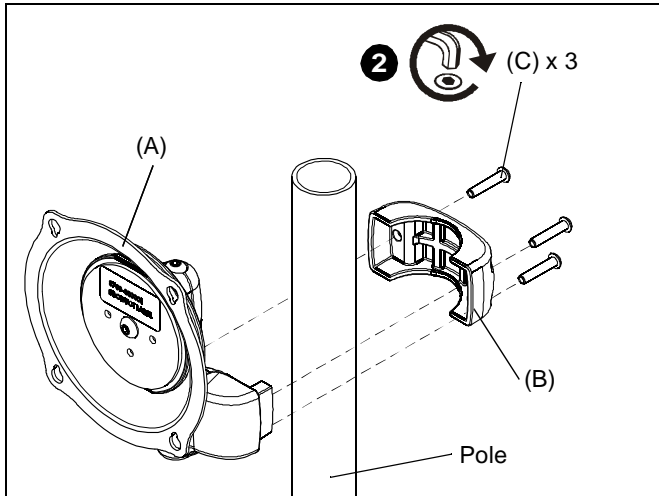


Figure 1

NOTE: Equally tighten screws (C) against clamp (B) and mount (A). (See Figure 2)

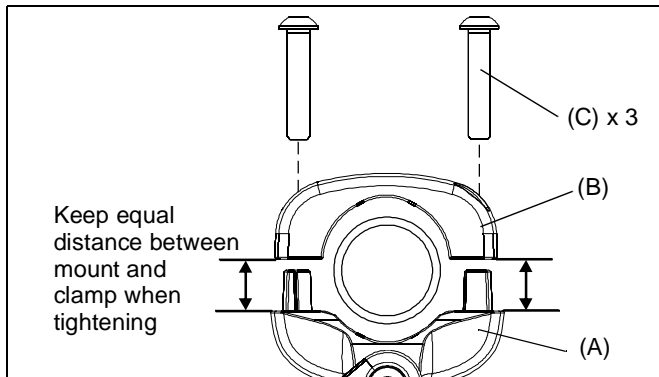


Figure 2

3. Position mount at desired height and orientation. Tighten screws (C) securely.

Display Installation

1. Determine mounting pattern on display.



WARNING: IMPROPER INSTALLATION CAN LEAD TO EQUIPMENT FALLING CAUSING SERIOUS PERSONAL INJURY AND DAMAGE TO EQUIPMENT! DO NOT substitute hardware. Use only hardware supplied by manufacturer!



WARNING: IMPROPER INSTALLATION CAN LEAD TO ELECTRIC SHOCK OR DAMAGE TO EQUIPMENT! Screw length must not exceed the depth of threaded mounting insert in display.



WARNING: OVERTIGHTENING OF SCREWS CAN DAMAGE PARTS AND LEAD TO SERIOUS PERSONAL INJURY AND DAMAGE TO EQUIPMENT! DO NOT over tighten screws when installing interface bracket.

NOTE: If the display being installed has a 100x100 VESA mounting pattern, no interface bracket is required and the display can be mounted directly to the Centris cup as outlined below.

NOTE: If the display being installed requires an interface bracket, refer to the interface bracket installation instructions.



WARNING: IMPROPER INSTALLATION CAN LEAD TO DISPLAY FALLING CAUSING SERIOUS PERSONAL INJURY OR DAMAGE TO EQUIPMENT! Using screws of improper size may damage your display! Proper screws will easily and completely thread into display mounting holes. Ensure that screws are not too long.



WARNING: IMPROPER INSTALLATION CAN LEAD TO DISPLAY FALLING CAUSING SERIOUS PERSONAL INJURY OR DAMAGE TO EQUIPMENT! Inadequate thread engagement in display may cause display to fall! Back out screws ONLY as necessary to allow installation of Centris cup!

1. Start two M4 x 8mm Phillips pan head screws (included in hardware kit) into upper mounting holes in display back. (See Figure 3)

NOTE: Leave at least 1/8" of each screw protruding out back of display.

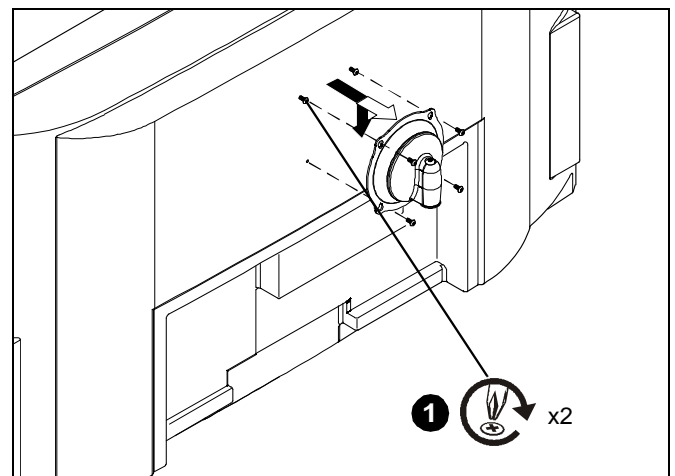


Figure 3

2. Align two screws in display back with upper mounting holes in Centris cup and lower display until screws are seated in lower area of teardrop mounting holes. (See Figure 4)
3. Install two more of the same screws through lower mounting holes in Centris cup and into display back. (See Figure 4)
4. Tighten all hardware.
5. Route cables and wires to display.

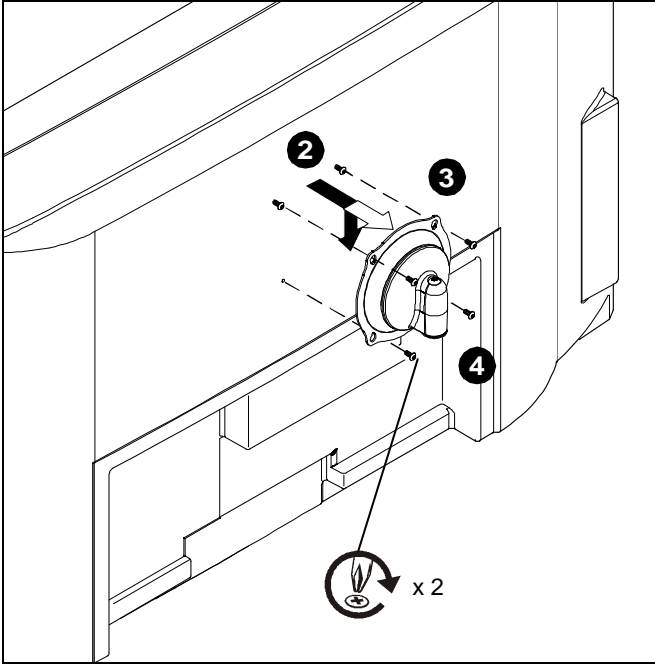


Figure 4

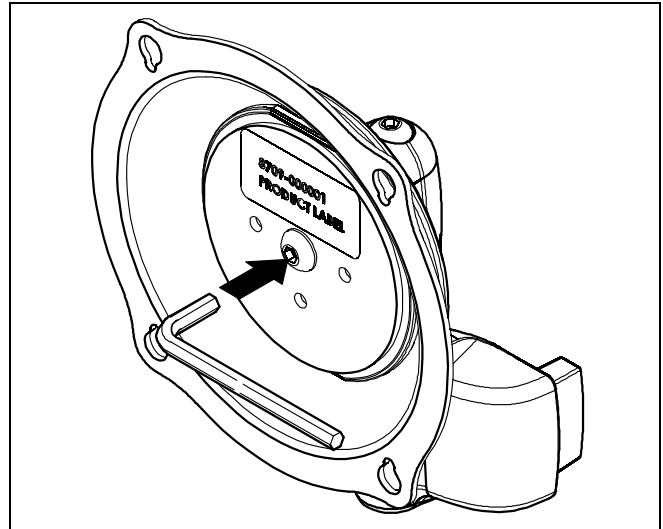


Figure 5

ADJUSTMENTS

To adjust display Roll, Pitch, and YAW tension:

1. Disconnect all wires and cable from the display.
2. Remove two *Lower* screws securing display to Centris cup.
3. Loosen two *Upper* screws securing display.
4. Lift display upward and away from mount.
5. Using a hex head wrench, turn the tension adjustment screw clockwise to increase tension, or counter-clockwise to decrease tension. (See Figure 5)
6. Re-install display.



Our Mounts. **Your Vision.**

Chief Manufacturing, a products division
of Milestone AV Technologies

8832-000238 RevC

©2009 Milestone AV Technologies, a
Duchossois Group Company

www.chiefmfg.com

11/09

USA/International

A 8401 Eagle Creek Parkway, Savage, MN 55378

P 800.582.6480 / 952.894.6280

F 877.894.6918 / 952.894.6918

Europe

A Fellenoord 130 5611 ZB EINDHOVEN, The Netherlands

P +31 (0)40 2668620

F +31 (0)40 2668615

Asia Pacific

A Office No. 1 on 12/F, Shatin Galleria
18-24 Shan Mei Street

Fotan, Shatin, Hong Kong

P 852 2145 4099

F 852 2145 4477

