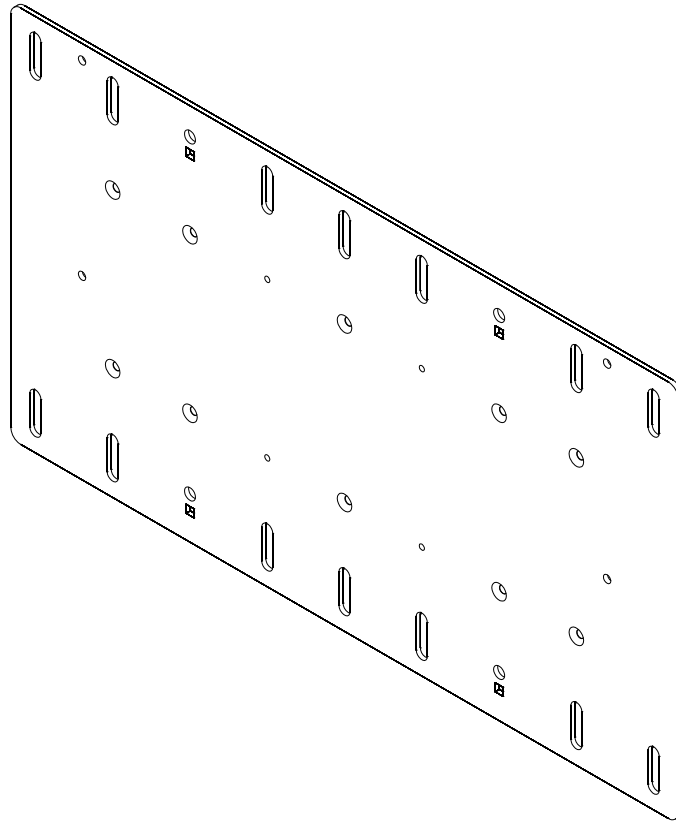


---

# INSTALLATION INSTRUCTIONS

---



---

## VESA Bracket for J-Series

---

**DISCLAIMER**

Milestone AV Technologies, Inc., and its affiliated corporations and subsidiaries, intend to make this manual accurate and complete. However, Milestone makes no claim that the information contained herein covers all details, conditions or variations, nor does it provide for every possible contingency in connection with the installation or use of this product. The information contained in this document is subject to change without notice or obligation of any kind. Milestone makes no representation of warranty, expressed or implied, regarding the information contained herein. Milestone assumes no responsibility for accuracy, completeness or sufficiency of the information contained in this document.

Chief® and Centris™ are registered trademarks of Milestone AV Technologies. All rights reserved.

**! IMPORTANT WARNINGS AND CAUTIONS!**

**! WARNING:** A WARNING alerts you to the possibility of serious injury or death if you do not follow the instructions.

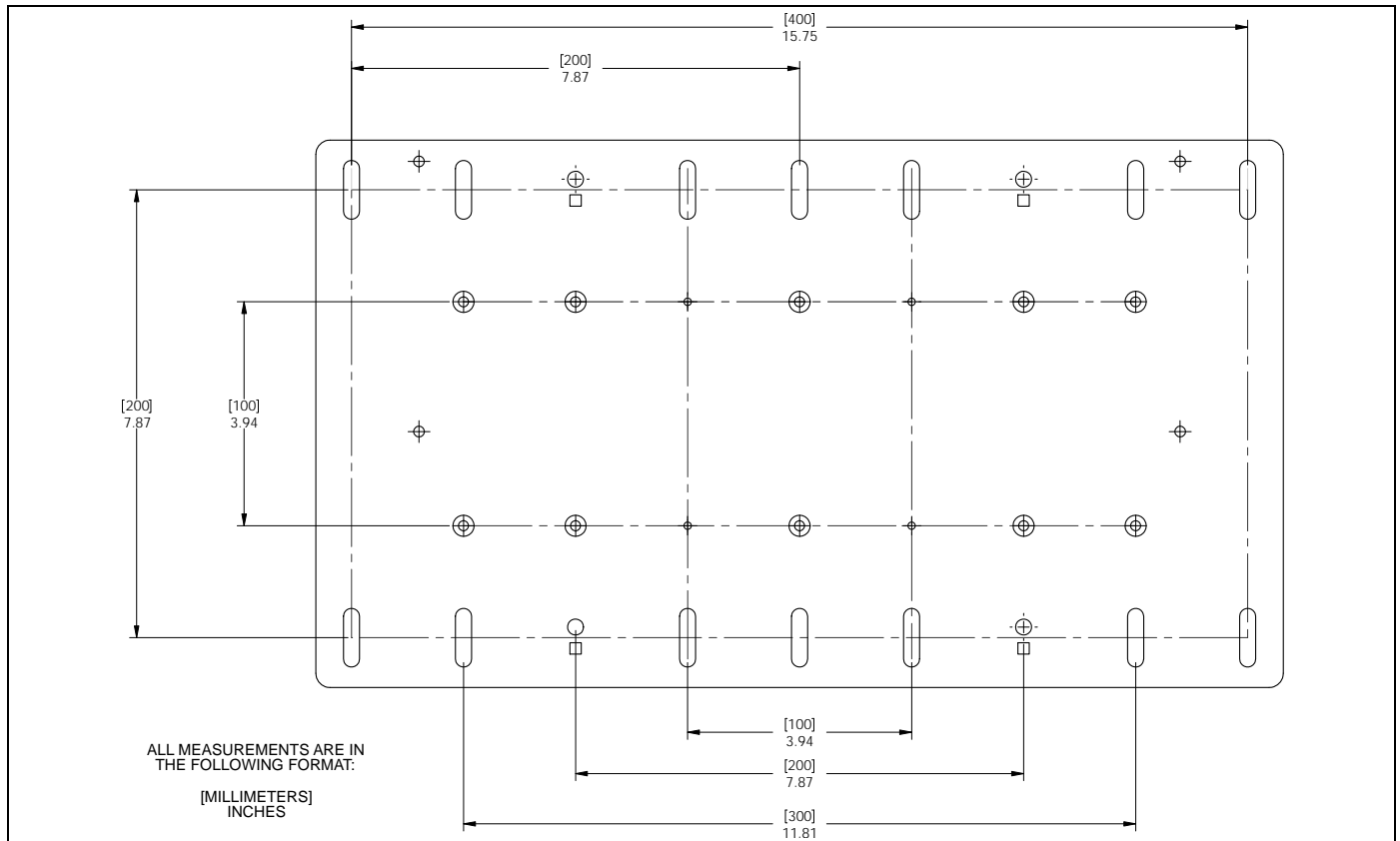
**! CAUTION:** A CAUTION alerts you to the possibility of damage or destruction of equipment if you do not follow the corresponding instructions.

**! WARNING:** Failure to read, thoroughly understand, and follow all instructions can result in serious personal injury, damage to equipment, or voiding of factory warranty! It is the installer’s responsibility to make sure all components are properly assembled and installed using the instructions provided.

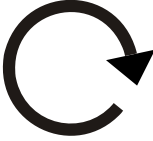
**! WARNING:** Failure to provide adequate structural strength for this component can result in serious personal injury or damage to equipment! It is the installer’s responsibility to make sure the structure to which this component is attached can support five times the combined weight of all equipment. Reinforce the structure as required before installing the component.


**! WARNING:** Exceeding the weight capacity of the mount can result in serious personal injury or damage to equipment! It is the installer’s responsibility to make sure the combined weight of the mount and all attached components does not exceed 75 lbs (34.02 kg).

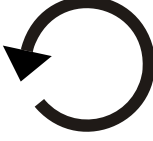
**DIMENSIONS**




**LEGEND**

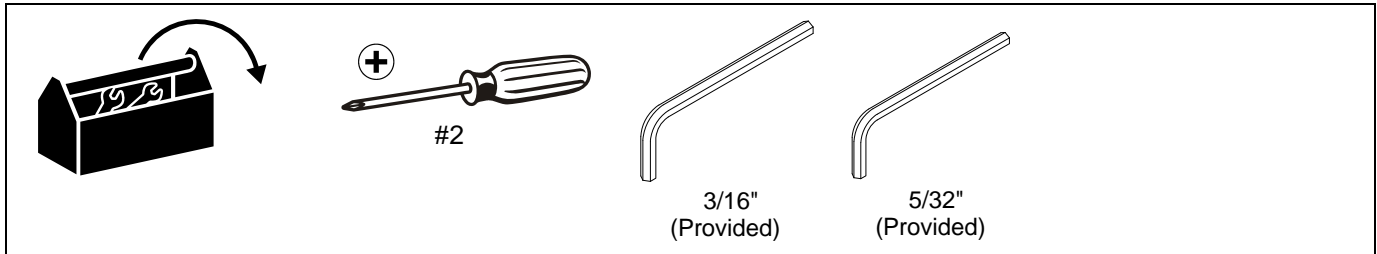
	<b>Tighten Fastener</b>
	Apretar elemento de fijación
	Befestigungsteil festziehen
	Apertar fixador
	Serrare il fissaggio
	Bevestiging vastdraaien
Serrez les fixations	

	<b>Phillips Screwdriver</b>
	Destornillador Phillips
	Kreuzschlitzschraubendreher
	Chave de fendas Phillips
	Cacciavite a stella
	Kruiskopschroevendraaier
Tournevis à pointe cruciforme	

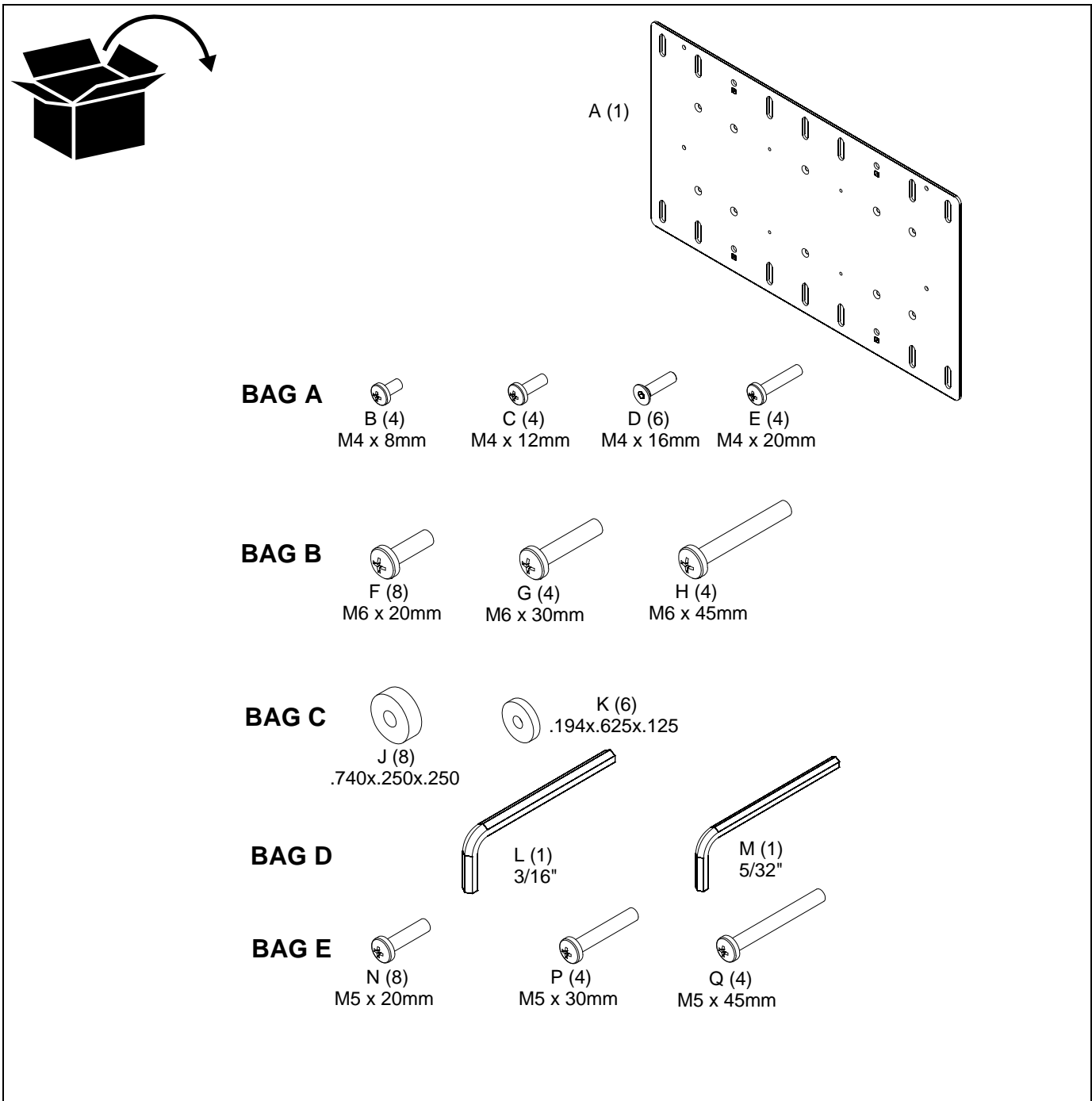
	<b>Loosen Fastener</b>
	Aflojar elemento de fijación
	Befestigungsteil lösen
	Desapertar fixador
	Allentare il fissaggio
	Bevestiging losdraaien
Desserrez les fixations	

	<b>Adjust</b>
	Ajustar
	Einstellen
	Ajustar
	Regolare
	Afstellen
Ajuster	

**TOOLS REQUIRED FOR INSTALLATION**



**PARTS**



**INSTALLATION**



**WARNING:** IMPROPER INSTALLATION CAN LEAD TO MOUNT FALLING CAUSING SERIOUS PERSONAL INJURY OR DAMAGE TO EQUIPMENT! DO NOT substitute hardware. Only use hardware provided or specified by manufacturer.

1. Place JSBV interface bracket over the mounting holes on the back of the display, making sure to center the bracket as much as possible.

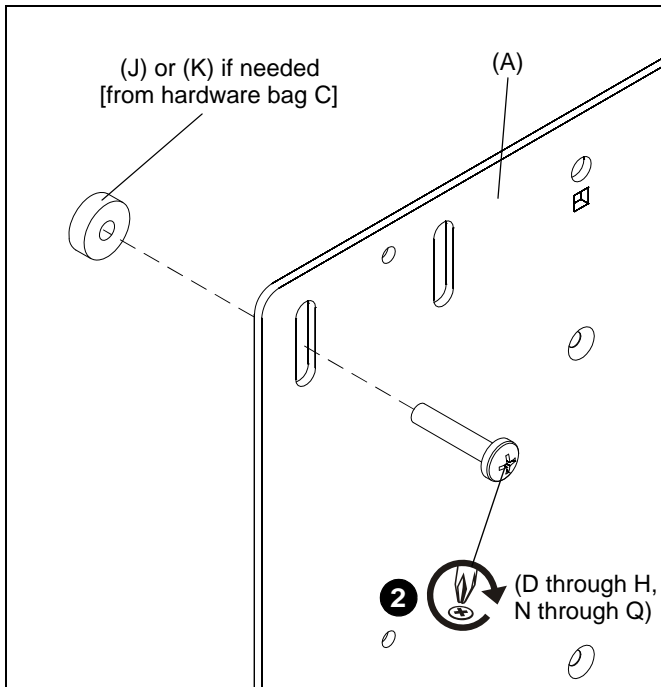


**WARNING:** IMPROPER INSTALLATION CAN LEAD TO DAMAGE TO EQUIPMENT OR TO MOUNT FALLING CAUSING SERIOUS PERSONAL INJURY ! Use proper size and length hardware depending on display.

**NOTE:** Use spacers from hardware bag C if the display mounting holes are recessed, or if there is some protrusion or bowing in the back of display.

**NOTE:** Use screws from hardware bags A, B, or E, dependent upon whether or not spacers are required.

2. Using the same number of spacers (if required) and screws as holes in the display back, attach JSBV interface bracket to the display back. (See Figure 1)



**Figure 1**



**CAUTION:** PREVENT EQUIPMENT DAMAMGE! Tighten each screw carefully, but do NOT overtighten.

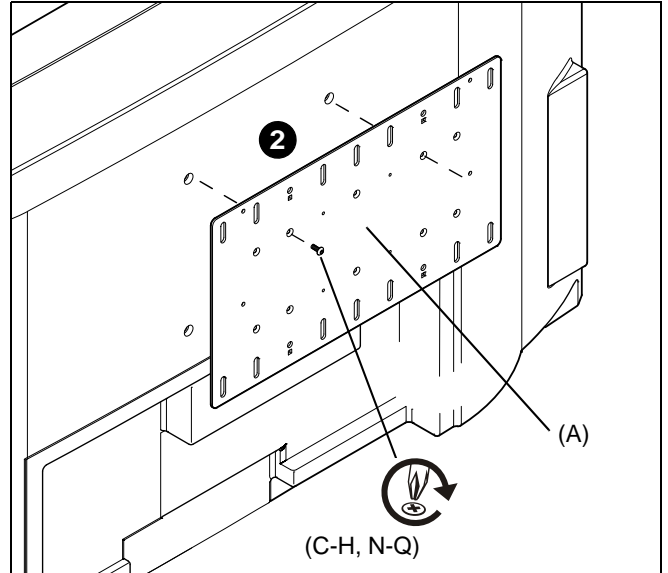
**Attach Interface Bracket to Display**

1. Lay display face down on a clean and dry flat surface.

2. Attach Interface Bracket (A) to display using appropriate screws (C-H, N-Q). (See Figure 2)

**NOTE:** If the display has a recessed mounting surface, spacers (K or J) between the display and Interface Bracket (A) may be required.

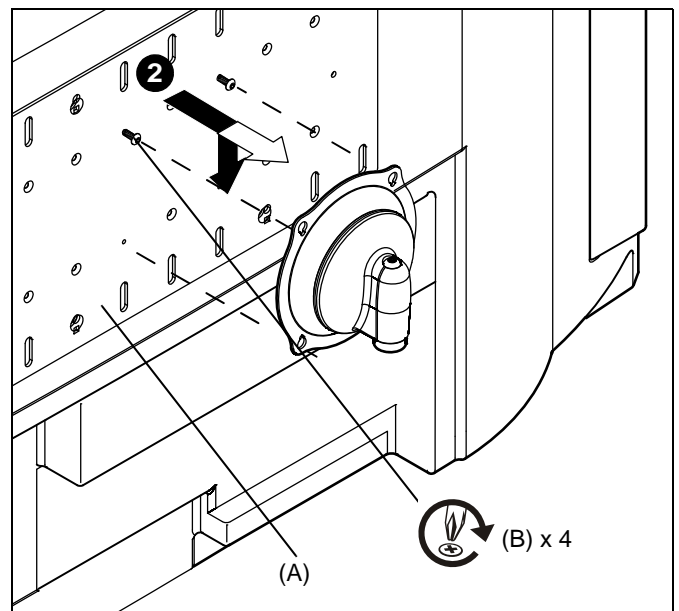
3. Tighten all screws.



**Figure 2**

**Attach Display to Mount**

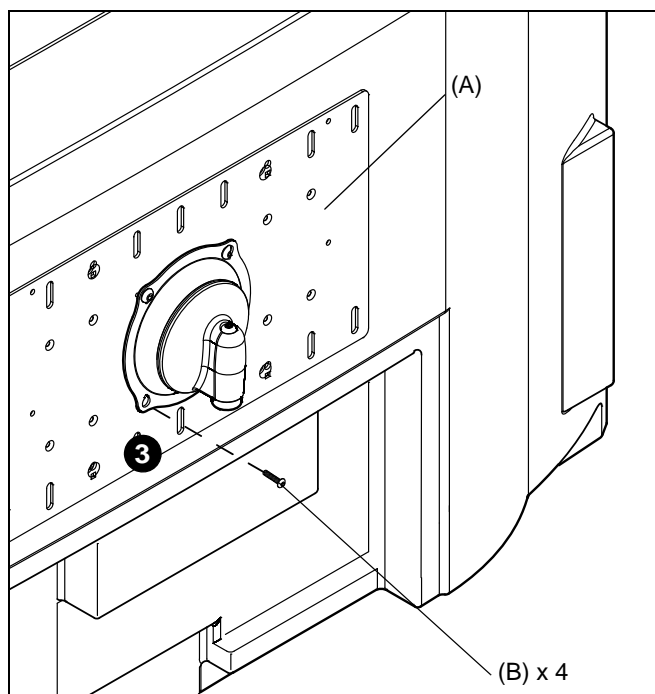
1. Start two M4 x 8mm Phillips pan head screws (B) into top mounting holes on interface bracket (A). (See Figure 3)
2. Align two screws in interface bracket (A) with upper mounting holes in Centris cup and lower display until screws are seated in lower area of teardrop mounting holes. (See Figure 3)



**Figure 3**

3. Hold display so that display back is against Centris cup and install two M4 x 8mm Phillips pan head machine screws (B)

through lower mounting holes in Centris cup and into lower mounting holes in interface bracket (A). (See Figure 4)



**Figure 4**

4. Complete installation of mount to display, following instructions included with the mount.





Our Mounts. **Your Vision.**

Chief Manufacturing, a division of  
Milestone AV Technologies

8832-000250  
©2008 Milestone AV Technologies  
[www.chiefmfg.com](http://www.chiefmfg.com)  
06/08

**USA/International** A 8401 Eagle Creek Parkway, Savage, MN 55378  
P 800.582.6480 / 952.894.6280  
F 877.894.6918 / 952.894.6918

**Europe** A Fellenoord 130 5611 ZB EINDHOVEN, The Netherlands  
P +31 (0)40 2668620  
F +31 (0)40 2668615

**Asia Pacific** A Room 24F, Block D, Lily YinDu International Building  
LuoGang, BuJi Town, Shenzhen, CHINA.  
深圳市布吉罗岗村百合银都国际大厦D栋24F  
P +86-755-8996 9226  
F +86-755-8996 9217

