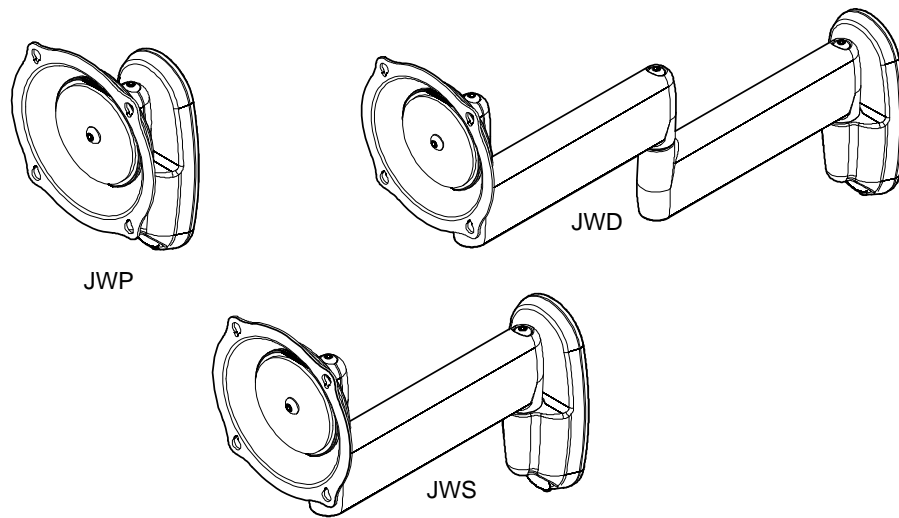


---

# INSTALLATION INSTRUCTIONS

---



---

## Medium Flat Panel Wall Mount

---

**DISCLAIMER**

Milestone AV Technologies, Inc., and its affiliated corporations and subsidiaries, intend to make this manual accurate and complete. However, Milestone makes no claim that the information contained herein covers all details, conditions or variations, nor does it provide for every possible contingency in connection with the installation or use of this product. The information contained in this document is subject to change without notice or obligation of any kind. Milestone makes no representation of warranty, expressed or implied, regarding the information contained herein. Milestone assumes no responsibility for accuracy, completeness or sufficiency of the information contained in this document.

Chief® and Centris™ are registered trademarks of Milestone AV Technologies. All rights reserved.

**! IMPORTANT WARNINGS AND CAUTIONS!**

**! WARNING:** A WARNING alerts you to the possibility of serious injury or death if you do not follow the instructions.

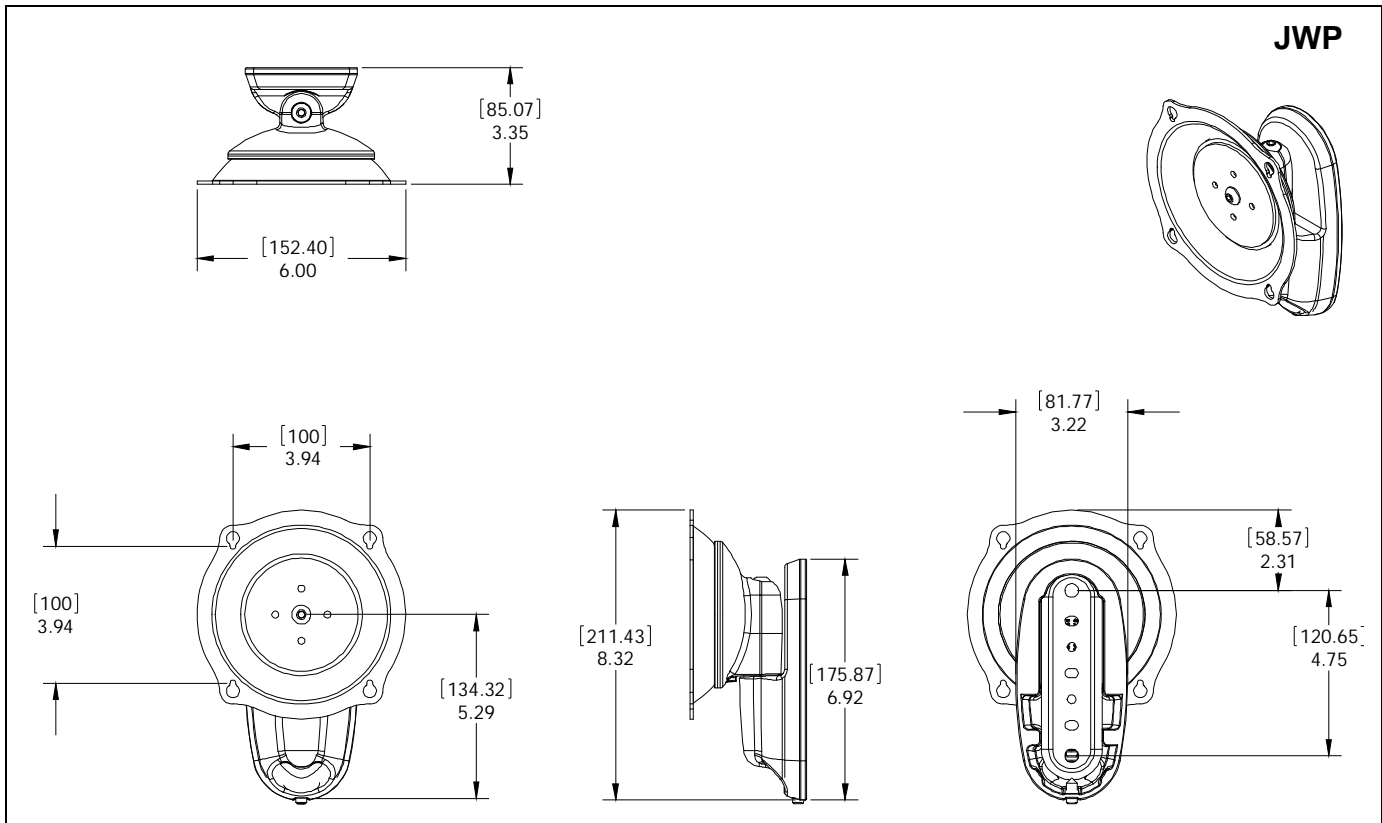
**! CAUTION:** A CAUTION alerts you to the possibility of damage or destruction of equipment if you do not follow the corresponding instructions.

**! WARNING:** Failure to read, thoroughly understand, and follow all instructions can result in serious personal injury, damage to equipment, or voiding of factory warranty! It is the installer's responsibility to make sure all components are properly assembled and installed using the instructions provided.

**! WARNING:** Failure to provide adequate structural strength for this component can result in serious personal injury or damage to equipment! It is the installer's responsibility to make sure the structure to which this component is attached can support five times the combined weight of all equipment. Reinforce the structure as required before installing the component.

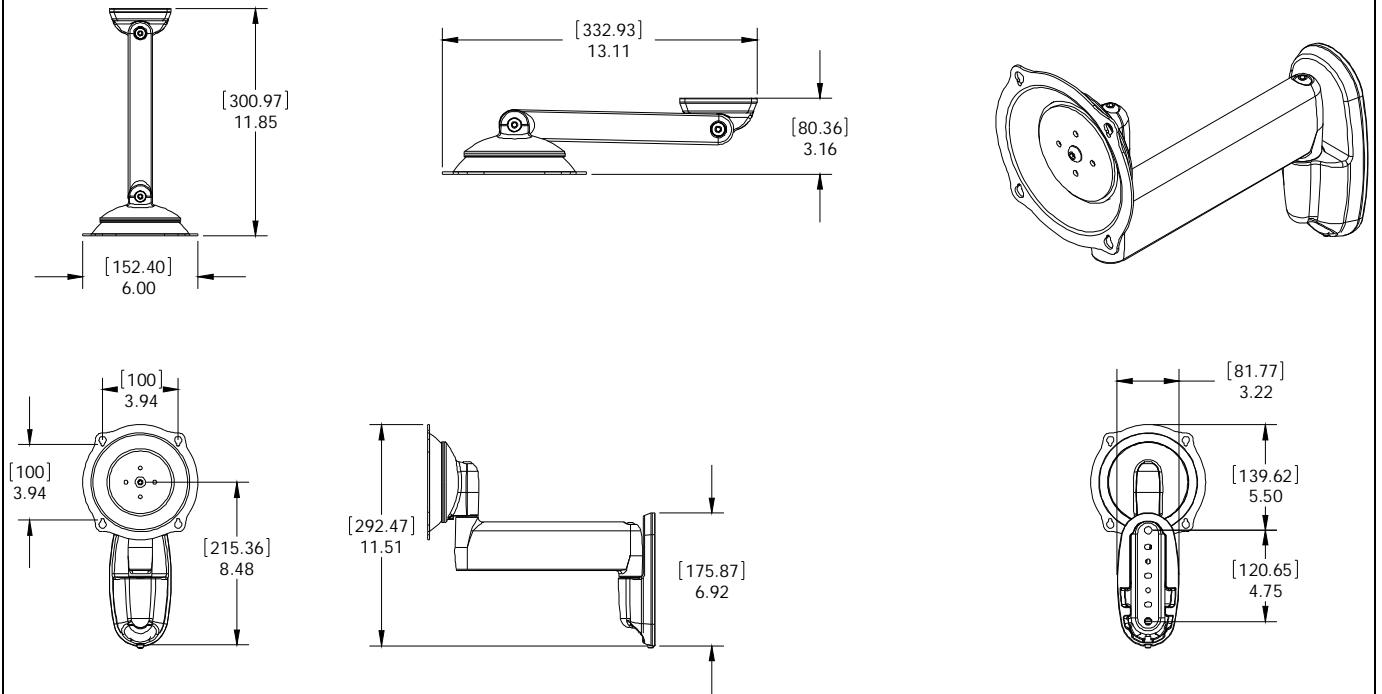
**! WARNING:** Exceeding the weight capacity can result in serious personal injury or damage to equipment! It is the installer's responsibility to make sure the combined weight of all components located between the J-Series mount up to (and including) the display does not exceed 75 lbs (34 kg).

**DIMENSIONS**

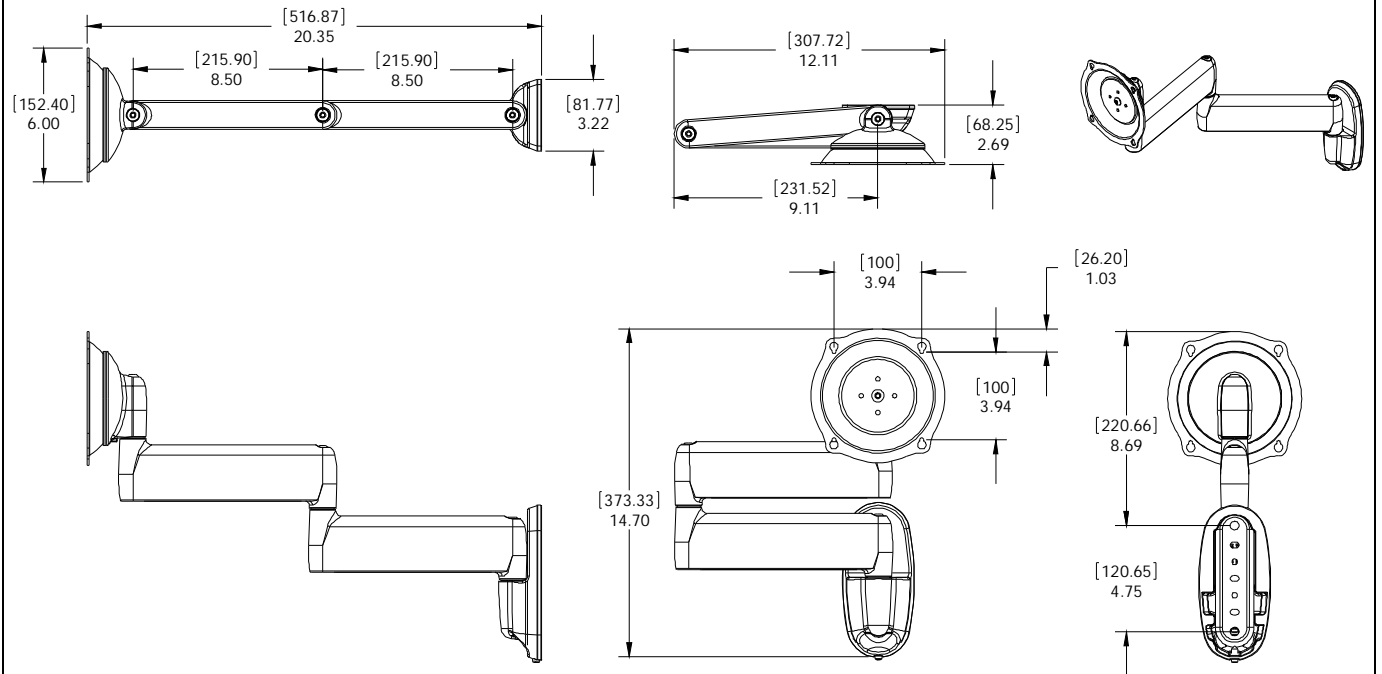


**DIMENSIONS**



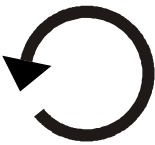


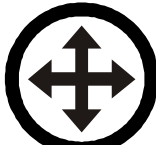


**JWS**



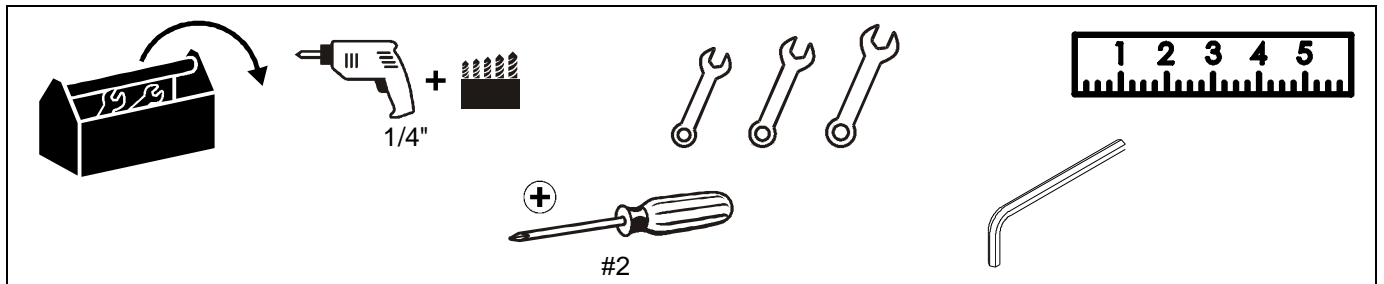
**JWD**



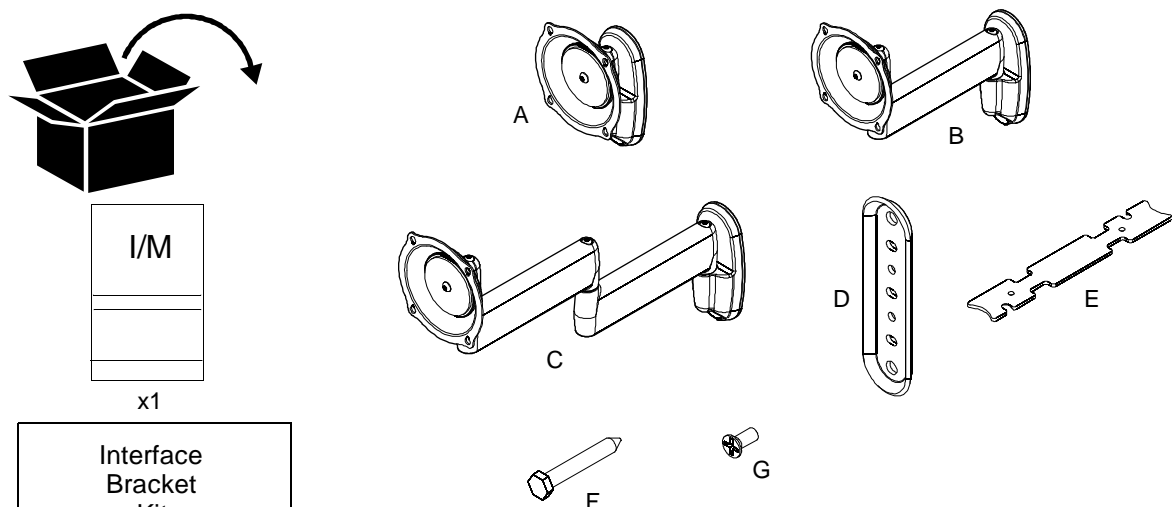
**LEGEND**

	<p><b>Tighten Fastener</b>                      Apretar elemento de fijación                      Befestigungsteil festziehen                      Apertar fixador                      Serrare il fissaggio                      Bevestiging vastdraaien                      Serrez les fixations</p>		<p><b>Pencil Mark</b>                      Marcar con lápiz                      Stiftmarkierung                      Marcar com lápis                      Segno a matita                      Potloodmerkteken                      Marquage au crayon</p>
	<p><b>Loosen Fastener</b>                      Aflojar elemento de fijación                      Befestigungsteil lösen                      Desapertar fixador                      Allentare il fissaggio                      Bevestiging losdraaien                      Desserrez les fixations</p>		<p><b>Drill Hole</b>                      Perforar                      Bohrloch                      Fazer furo                      Praticare un foro                      Gat boren                      Percez un trou</p>
	<p><b>Phillips Screwdriver</b>                      Destornillador Phillips                      Kreuzschlitzschraubendreher                      Chave de fendas Phillips                      Cacciavite a stella                      Kruiskopschroevendraaier                      Tournevis à pointe cruciforme</p>		<p><b>Adjust</b>                      Ajustar                      Einstellen                      Ajustar                      Regolare                      Afstellen                      Ajuster</p>
	<p><b>Open-Ended Wrench</b>                      Llave de boca                      Gabelschlüssel                      Chave de bocas                      Chiave a punte aperte                      Steeksleutel                      Clé à fourche</p>		<p><b>Hex-Head Wrench</b>                      Llave de cabeza hexagonal                      Sechskantschlüssel                      Chave de cabeça sextavada                      Chiave esagonale                      Zeskantsleutel                      Clé à tête hexagonale</p>

**TOOLS REQUIRED FOR INSTALLATION**



**PARTS**



I/M  
 x1  
 Interface Bracket Kit  
 (Including Hardware)  
 x 1

ITEM	DESCRIPTION	QUANTITY By MODEL		
		JWP	JWS	JWD
A	PIVOT PITCH WALL MOUNT	1	-	-
B	SINGLE ARM WALL MOUNT	-	1	-
C	DUAL ARM WALL MOUNT	-	-	1
D	J-SERIES WALL PLATE	1	1	1
E	CABLE MANAGEMENT COVER	-	1	2
F	HEX HEAD LAG SCREW, 3/8" X 3"	2	2	2
G	PHILLIPS FLAT MACHINE SCREW, 8-32 X 3/8"	-	2	4

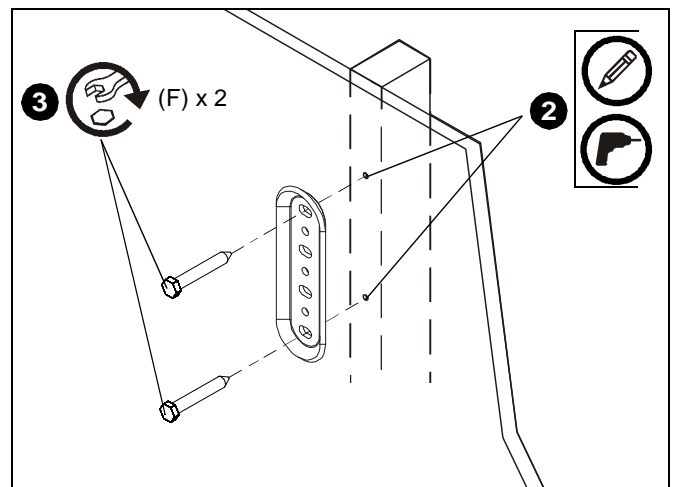
**INSTALLATION**

**⚠ WARNING:** FAILURE TO PROVIDE ADEQUATE STRUCTURAL STRENGTH FOR THIS MOUNT CAN RESULT IN SERIOUS PERSONAL INJURY OR DAMAGE TO EQUIPMENT! It is the installer's responsibility to make sure the structure to which this mount is attached can support five times the combined weight of the mount and all equipment attached to it. Reinforce the structure as required before installing the mount.

1. Determine location for mount keeping in mind display size, extension, height adjustment (if applicable), and pitch/roll requirements.

**NOTE:** Wall plate (D) MUST be installed into wood stud.

2. Using wall plate (D) as a template, mark then drill two 1/4" diameter x 3" deep pilot holes through top and bottom holes of wall bracket into wall structure. (See Figure 1)
3. Install two 3/8" x 3" hex head lag screws (F) through wall plate (D) and drywall into wood stud. (See Figure 1)
4. Ensure wall plate (D) is vertical, then tighten screws (D).



**Figure 1**

**⚠ CAUTION:** Overtightening screws may cause wall bracket to compress into soft wall surface, resulting in difficult mount installation or improper engaging of set screw in later step.

5. Insert top of wall mount (A, B or C) over lip on top of wall plate (D). (See Figure 2)
6. Swing wall mount down flush against wall.

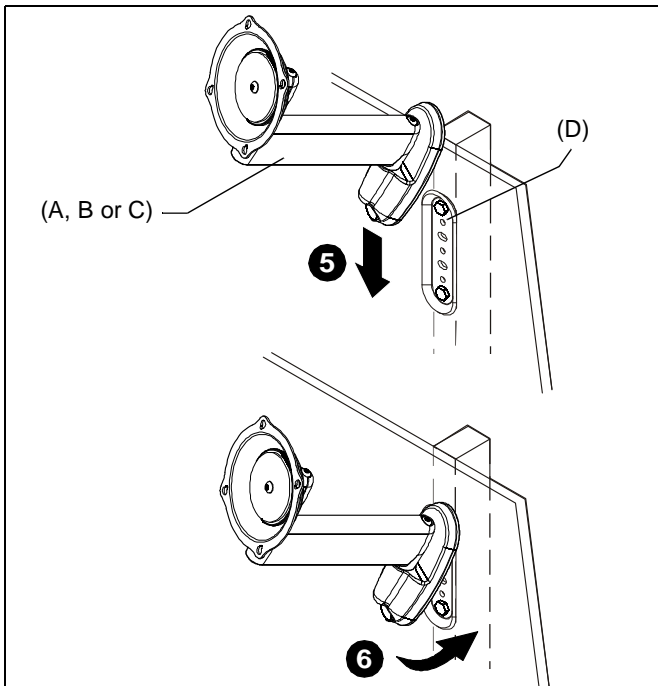


Figure 2

7. Tighten set screw in bottom of wall mount. (See Figure 3)
- NOTE:** Ensure set screw engages on back side of wall plate to properly secure wall mount.

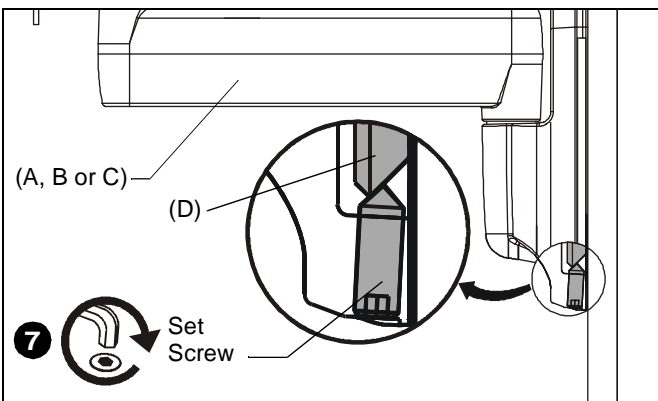


Figure 3

**DISPLAY INSTALLATION**

1. Determine mounting pattern on display.

**WARNING:** IMPROPER INSTALLATION CAN LEAD TO EQUIPMENT FALLING CAUSING SERIOUS PERSONAL INJURY AND DAMAGE TO EQUIPMENT! DO NOT substitute hardware. Use only hardware supplied by manufacturer!

**WARNING:** IMPROPER INSTALLATION CAN LEAD TO ELECTRIC SHOCK OR DAMAGE TO EQUIPMENT! Screw length must not exceed the depth of threaded mounting insert in display.

**WARNING:** OVERTIGHTENING OF SCREWS CAN DAMAGE PARTS AND LEAD TO SERIOUS PERSONAL INJURY AND DAMAGE TO EQUIPMENT! DO NOT over tighten screws when installing interface bracket.

**NOTE:** If the display being installed has a 100x100 VESA mounting pattern, no interface bracket is required and the display can be mounted directly to the mounting plate as outlined below.

**NOTE:** If the display being installed requires an interface bracket, refer to the interface bracket installation instructions.

**WARNING:** IMPROPER INSTALLATION CAN LEAD TO DISPLAY FALLING CAUSING SERIOUS PERSONAL INJURY OR DAMAGE TO EQUIPMENT! Using screws of improper size may damage your display! Proper screws will easily and completely thread into display mounting holes. Ensure that screws are not too long.

**WARNING:** IMPROPER INSTALLATION CAN LEAD TO DISPLAY FALLING CAUSING SERIOUS PERSONAL INJURY OR DAMAGE TO EQUIPMENT! Inadequate thread engagement in display may cause display to fall! Back out screws ONLY as necessary to allow installation of mounting plate!

1. Start two M4 x 8mm Phillips pan head screws (included in hardware kit) into upper mounting holes in display back. (See Figure 4)
- NOTE:** Leave at least 1/8" of each screw protruding out back of display.

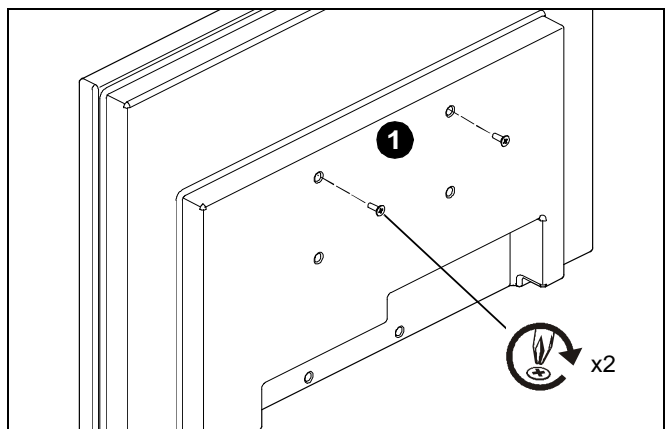


Figure 4

2. Align two screws in display back with upper teardrop mounting holes in mounting plate and lower display until screws are seated in lower area of teardrop mounting holes. (See Figure 5)

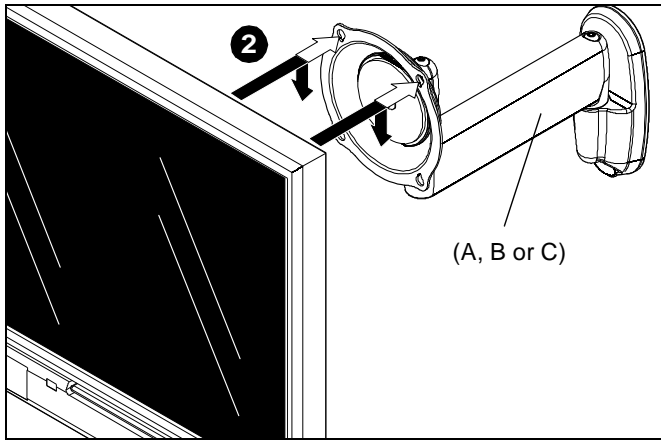


Figure 5

3. Install two more of the same screws through lower mounting holes in display mounting plate and into display back. (See Figure 6)

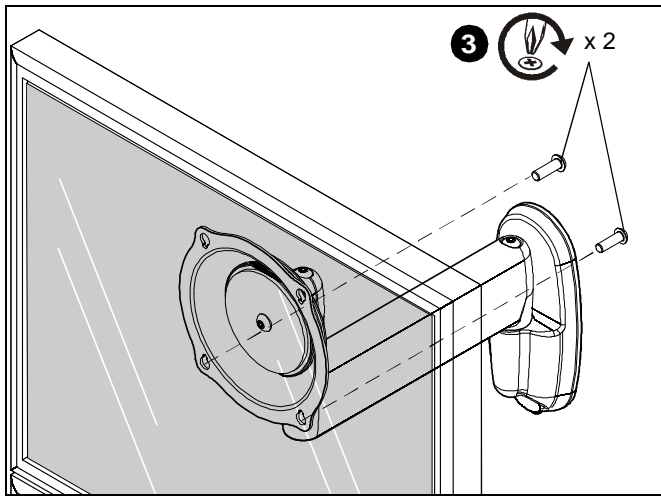


Figure 6

4. Tighten all hardware.

**CABLE MANAGEMENT**

1. Attach all cables to display.



**CAUTION:** Ensure that adequate cable slack exists for movement of display, and that cables will not be pinched by installation of cable management cover(s) (E) or screws (G).

2. Carefully insert cables in cavity located in lower portion of mount arm (See Figure 7).
3. Install cover (E) with two 8-32 x 3/8" Phillips screws (G). (See Figure 7)

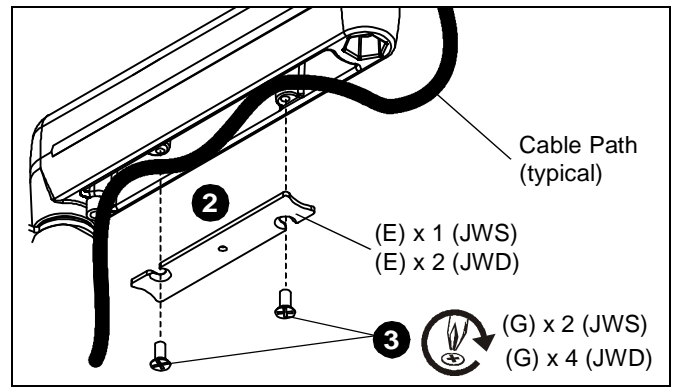


Figure 7

**ADJUSTMENTS**

**PIVOT / SWING TENSION**

1. Slightly loosen or tighten the adjustment screw(s) as necessary (See Figure 8).

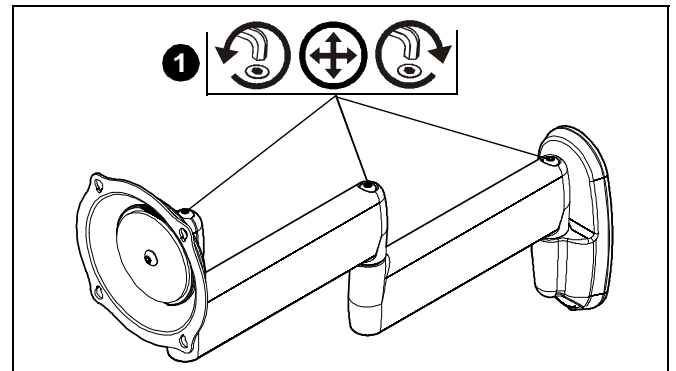


Figure 8

**DISPLAY ROLL / PITCH / YAW TENSION:**

1. Disconnect all wires and cable from the display.
2. Remove two *Lower* screws securing display to Centris cup.
3. Loosen two *Upper* screws securing display.
4. Lift display upward and away from mount.
5. Turn the tension adjustment screw clockwise to increase tension, or counter-clockwise to decrease tension. (See Figure 9)
6. Re-install display.

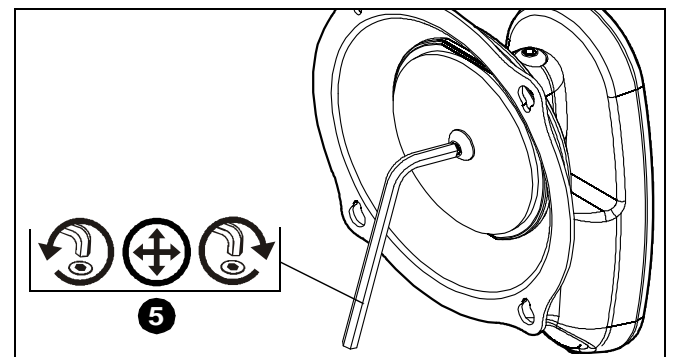


Figure 9



Our Mounts. **Your Vision.**

Chief Manufacturing, a products division  
of Milestone AV Technologies

8832-000253 Rev01  
©2010 Milestone AV Technologies, a  
Duchossois Group Company  
[www.chiefmfg.com](http://www.chiefmfg.com)  
02/10

**USA/International**

**A** 8401 Eagle Creek Parkway, Savage, MN 55378  
**P** 800.582.6480 / 952.894.6280  
**F** 877.894.6918 / 952.894.6918

**Europe**

**A** Fellenoord 130 5611 ZB EINDHOVEN, The Netherlands  
**P** +31 (0)40 2668620  
**F** +31 (0)40 2668615

**Asia Pacific**

**A** Office No. 1 on 12/F, Shatin Galleria  
18-24 Shan Mei Street  
Fotan, Shatin, Hong Kong  
**P** 852 2145 4099  
**F** 852 2145 4477

