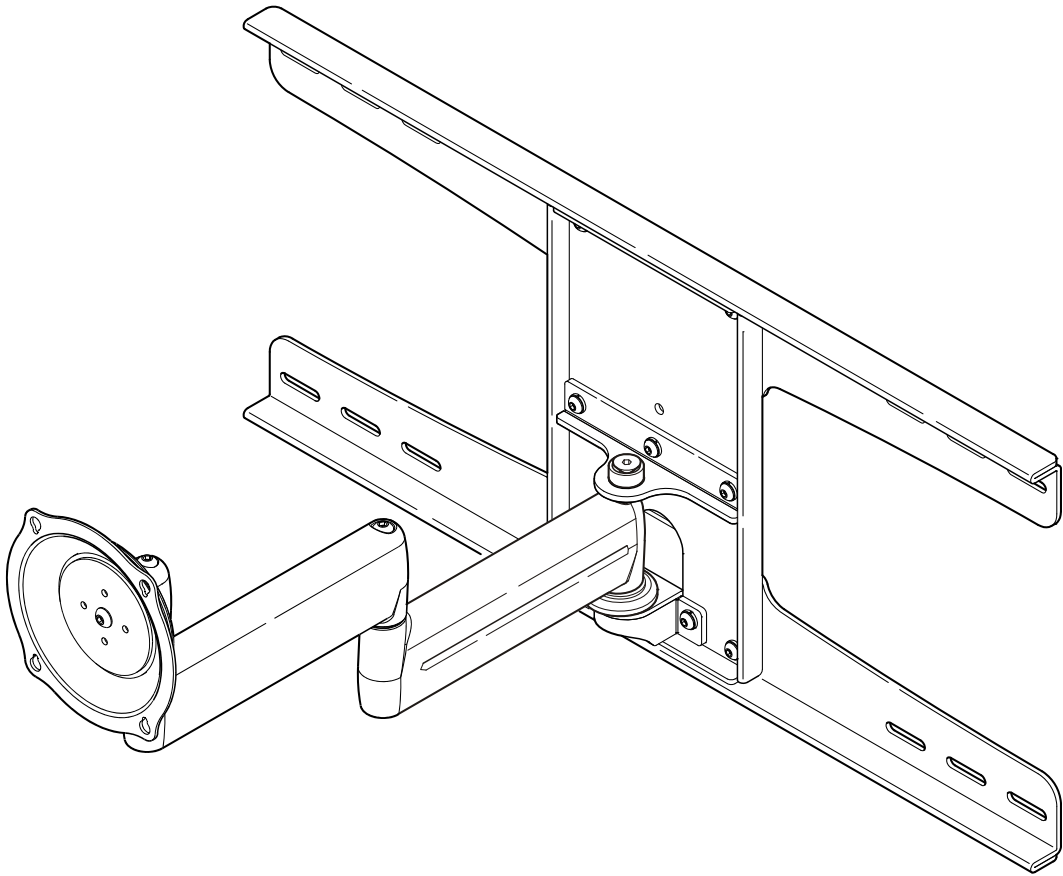


---

# INSTALLATION INSTRUCTIONS

---



---

## Medium Flat Panel Steel Stud Wall Mount


---


## DISCLAIMER


Milestone AV Technologies, Inc., and its affiliated corporations and subsidiaries (collectively, "Milestone"), intend to make this manual accurate and complete. However, Milestone makes no claim that the information contained herein covers all details, conditions or variations, nor does it provide for every possible contingency in connection with the installation or use of this product. The information contained in this document is subject to change without notice or obligation of any kind. Milestone makes no representation of warranty, expressed or implied, regarding the information contained herein. Milestone assumes no responsibility for accuracy, completeness or sufficiency of the information contained in this document.


Chief® and Centris™ are trademarks of Milestone AV Technologies, Inc. All rights reserved.


## IMPORTANT WARNINGS AND CAUTIONS!

 **WARNING:** A WARNING alerts you to the possibility of serious injury or death if you do not follow the instructions.

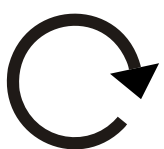
 **CAUTION:** A CAUTION alerts you to the possibility of damage or destruction of equipment if you do not follow the corresponding instructions.

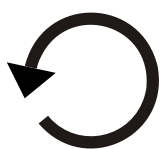
 **WARNING:** Failure to read, thoroughly understand, and follow all instructions can result in serious personal injury, damage to equipment, or voiding of factory warranty! It is the installer's responsibility to make sure all components are properly assembled and installed using the instructions provided.


 **WARNING:** Failure to provide adequate structural strength for the installation of this kit can result in serious personal injury or damage to equipment! It is the installer's responsibility to make sure the structure to which this kit is attached can support five times the combined weight of all equipment.


 **WARNING:** Exceeding the weight capacity can result in serious personal injury or damage to equipment! It is the installer's responsibility to make sure the combined weight of all components attached to this accessory does not exceed 75 lbs (34.01 kg).

## LEGEND

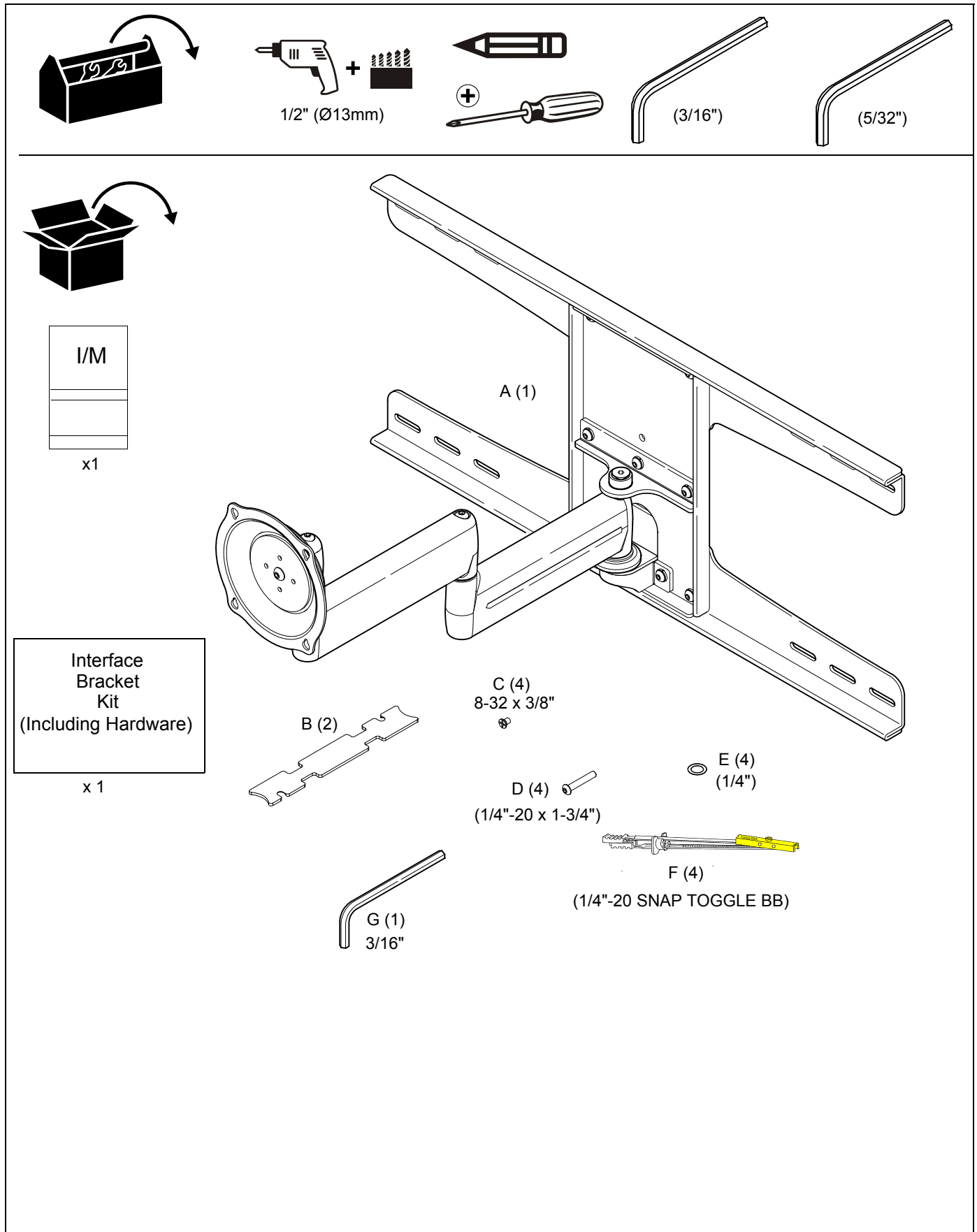
	<b>Tighten Fastener</b>
	Apretar elemento de fijación
	Befestigungsteil festziehen
	Apertar fixador
	Serrare il fissaggio
	Bevestiging vastdraaien
	Serrez les fixations

	<b>Loosen Fastener</b>
	Aflojar elemento de fijación
	Befestigungsteil lösen
	Desapertar fixador
	Allentare il fissaggio
	Bevestiging losdraaien
	Desserrez les fixations

	<b>Hex-Head Wrench</b>
	Llave de cabeza hexagonal
	Sechskantschlüssel
	Chave de cabeça sextavada
	Chiave esagonale
	Zeskantsleutel
	Clé à tête hexagonale

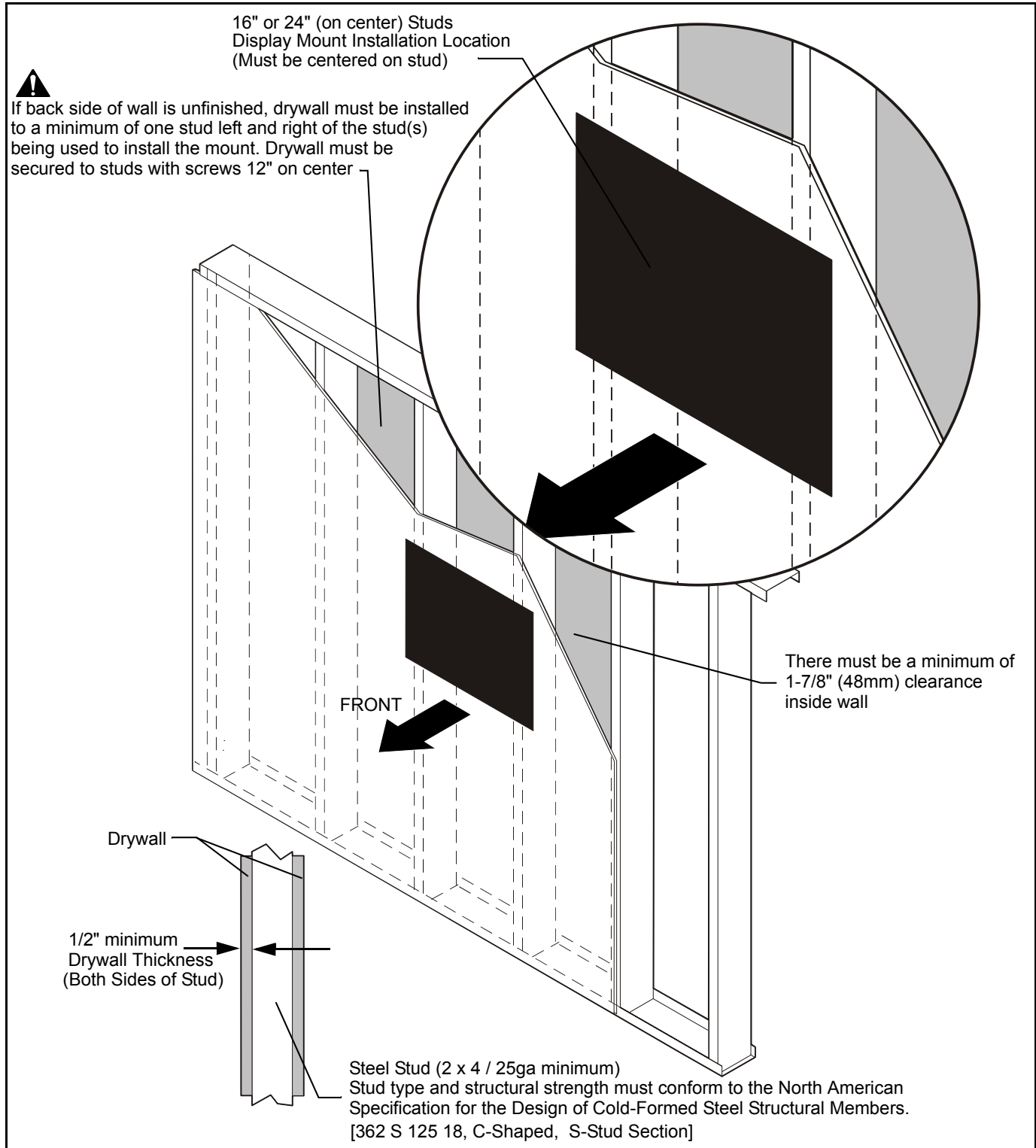
	<b>Phillips Screwdriver</b>
	Destornillador Phillips
	Kreuzschlitzschraubendreher
	Chave de fendas Phillips
	Cacciavite a stella
	Kruiskopschroevendraaier
	Tournevis à pointe cruciforme

### TOOLS REQUIRED FOR INSTALLATION AND PARTS



**Site Requirements**

**⚠ WARNING:** IMPROPER INSTALLATION CAN LEAD TO EQUIPMENT FALLING CAUSING SERIOUS PERSONAL INJURY OR DAMAGE TO EQUIPMENT! The figure below identifies the minimum requirements for installation of display mounts onto a steel stud structure. If the structure or its components do not meet these requirements contact the mount manufacturer for specific instructions before attempting installation. It should also be noted that no other equipment should be mounted to the same stud.

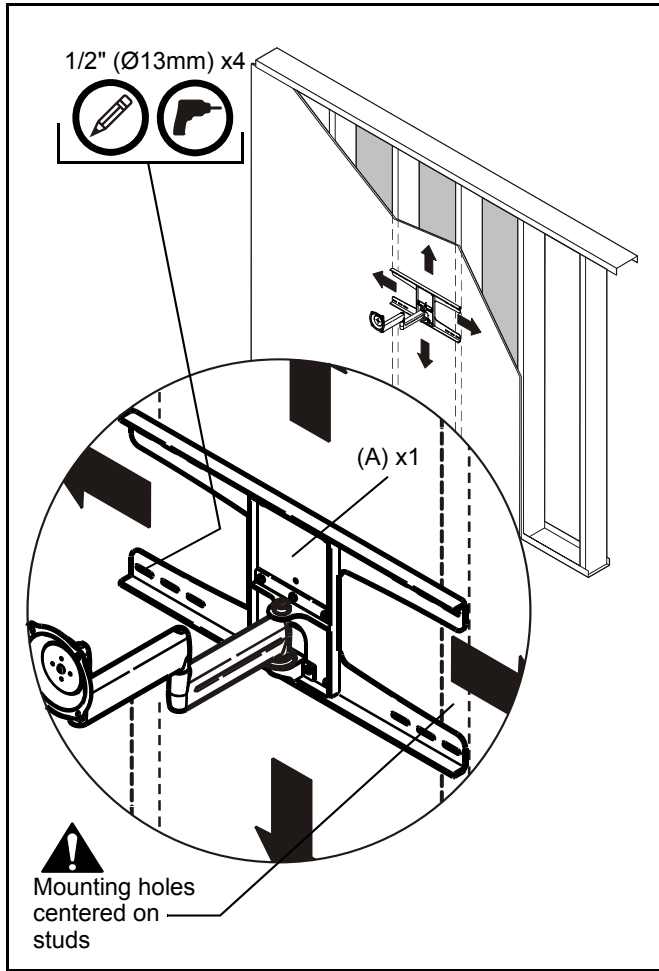


**Figure 1**

### MOUNT INSTALLATION

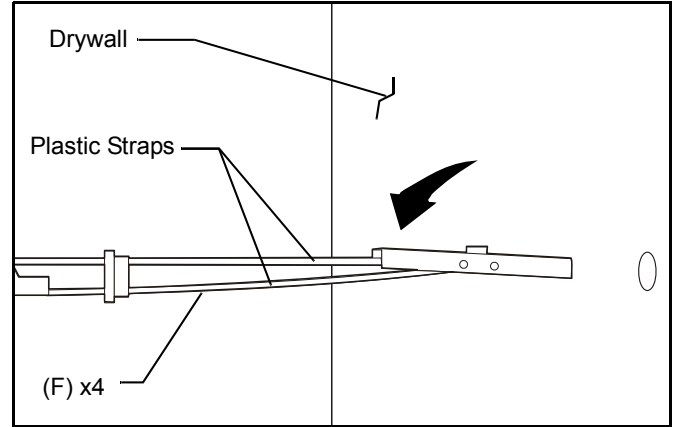
After determining the site meets the installation requirements:

1. Identify desired mounting location on wall.
2. Using a stud finder or similar method locate studs.
3. Align mounting holes in mount with studs making sure mounting holes are centered on studs. (See Figure 2)
4. Mark location of three mounting holes on wall.
5. Drill four 1/2" (Ø13mm) holes. (See Figure 2)



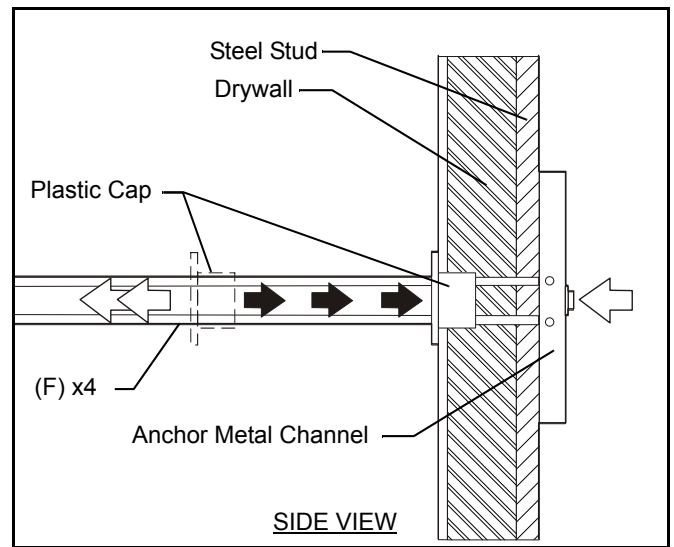
**Figure 2**

6. Hold metal channel on anchor (F) flat alongside plastic straps and slide channel through hole. (See Figure 3)



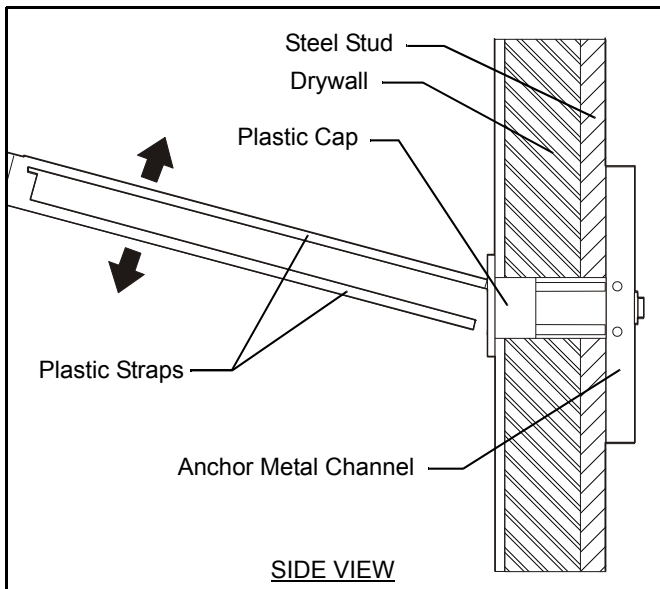
**Figure 3**

7. Holding plastic straps on anchor (F), pull anchor away from wall until channel rests flush behind wall making sure anchor channel is positioned vertically on stud as show in figures below. (See Figure 4)
8. Slide plastic cap on anchor (F) towards wall until flange of cap is flush with wall. (See Figure 4)



**Figure 4**

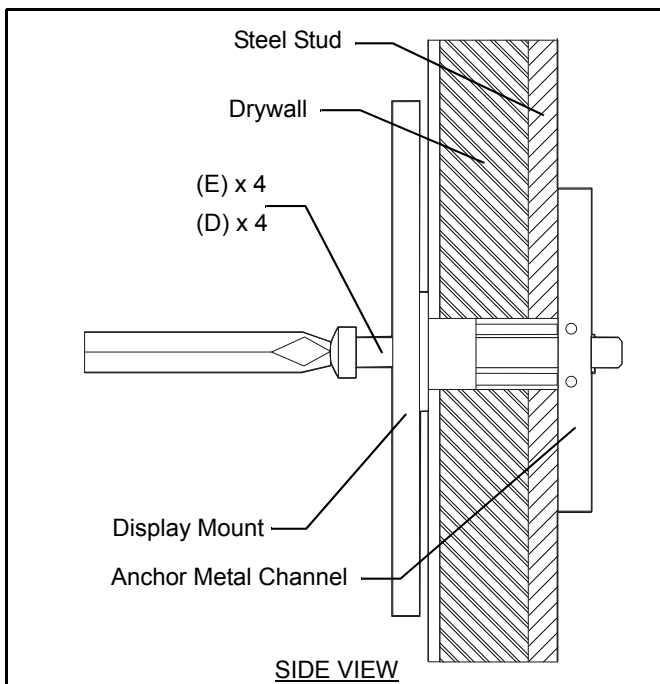
9. Snap off plastic straps on anchor at wall by pushing side to side, snapping off straps level with flange of plastic cap. (See Figure 5)
10. Repeat steps 6 through 9 for each mounting hole.



**Figure 5**

11. Place mount over anchors and align mounting holes in display mount with holes in anchors. (See Figure 6)
12. Place flat washer (E) onto Phillips pan head screws (D).
13. Insert 1/4-20 x 1-3/4" Phillips pan head screw (D) with flat washer (E) through mounting hole in display mount and into anchor (F) and tighten until flush against mount. DO NOT overtighten!

**WARNING:** IMPROPER INSTALLATION CAN LEAD TO EQUIPMENT FALLING CAUSING SERIOUS PERSONAL INJURY OR DAMAGE TO EQUIPMENT! Overtightening of mounting hardware can damage the steel studs. DO NOT overtighten mounting hardware!



**Figure 6**

## Display Installation

1. Determine mounting pattern on display.

**WARNING:** IMPROPER INSTALLATION CAN LEAD TO EQUIPMENT FALLING CAUSING SERIOUS PERSONAL INJURY AND DAMAGE TO EQUIPMENT! DO NOT substitute hardware. Use only hardware supplied by manufacturer!

**WARNING:** IMPROPER INSTALLATION CAN LEAD TO ELECTRIC SHOCK OR DAMAGE TO EQUIPMENT! Screw length must not exceed the depth of threaded mounting insert in display.

**WARNING:** OVERTIGHTENING OF SCREWS CAN DAMAGE PARTS AND LEAD TO SERIOUS PERSONAL INJURY AND DAMAGE TO EQUIPMENT! DO NOT over tighten screws when installing interface bracket.

**NOTE:** If the display being installed has a 100x100 VESA mounting pattern, no interface bracket is required and the display can be mounted directly to the mounting plate as outlined below.

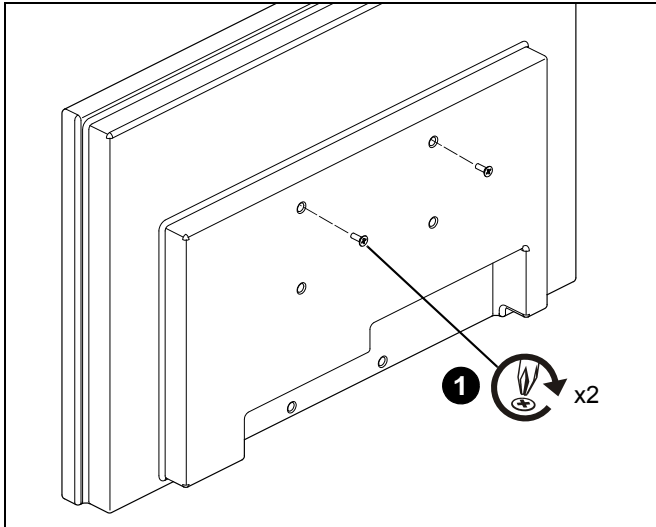
**NOTE:** If the display being installed requires an interface bracket, refer to the interface bracket installation instructions.

**WARNING:** IMPROPER INSTALLATION CAN LEAD TO DISPLAY FALLING CAUSING SERIOUS PERSONAL INJURY OR DAMAGE TO EQUIPMENT! Using screws of improper size may damage your display! Proper screws will easily and completely thread into display mounting holes. Ensure that screws are not too long.

**WARNING:** IMPROPER INSTALLATION CAN LEAD TO DISPLAY FALLING CAUSING SERIOUS PERSONAL INJURY OR DAMAGE TO EQUIPMENT! Inadequate thread engagement in display may cause display to fall! Back out screws ONLY as necessary to allow installation of mounting plate!

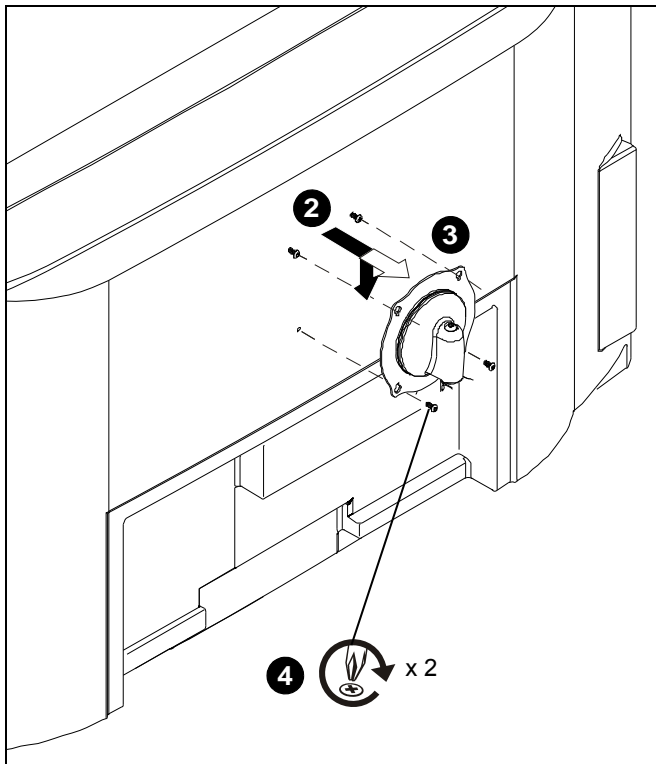
1. Start two M4 x 12mm Phillips pan head screws (included in hardware kit) into upper mounting holes in display back. (See Figure 7)

**NOTE:** Leave at least 1/8" of each screw protruding out back of display.



**Figure 7**

2. Align two screws in display back with upper teardrop mounting holes in mounting plate.
3. Place two screws in display back into upper teardrop mounting holes in display mounting plate and lower display until screws are seated in lower area of teardrop mounting holes. (See Figure 8)
4. Install two screws through display mounting plate and into lower mounting holes in display back. (See Figure 8)
5. Tighten all hardware.



**Figure 8**

6. Route cables and wires to display.

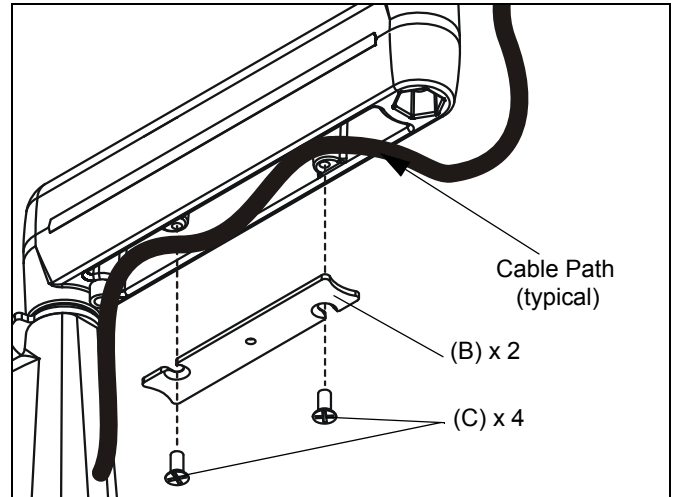
**CABLE MANAGEMENT**

1. Attach all cables to display.



**CAUTION:** Ensure that adequate cable slack exists for movement of display, and that cables will not be pinched by installation of cover (B) or screws (C).

2. Carefully insert cables in cavity located in lower portion of mount arm (See Figure 9).
3. Using Phillips screwdriver, install cover (B) with two screws (C). (See Figure 9)



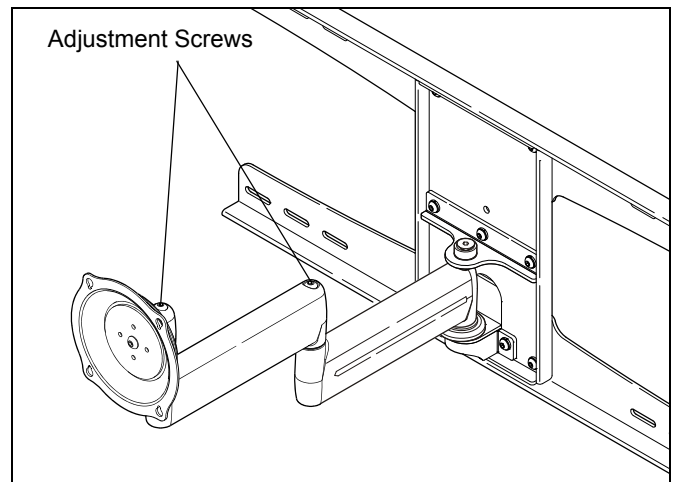
**Figure 9**

**ADJUSTMENTS**

**Swing Arm**

**PIVOT / SWING**

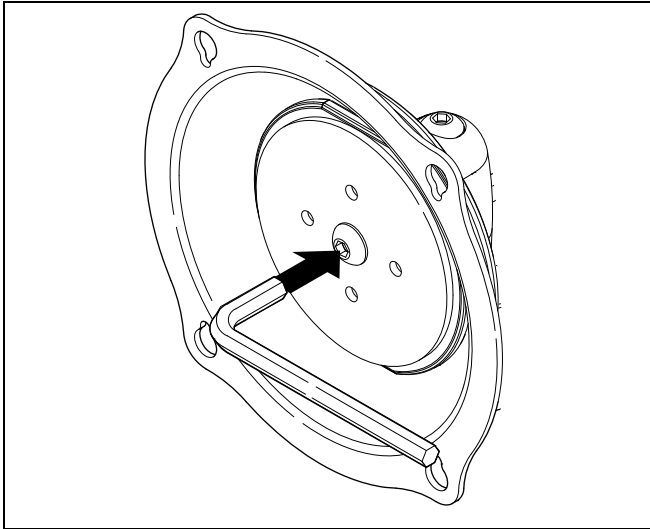
1. Using 3/16" hex key (G), slightly loosen or tighten the adjustment screw(s) as necessary. (See Figure 10)



**Figure 10**

**Adjust display Roll, Pitch, and YAW tension**

1. Disconnect all wires and cable from the display.
2. Remove two *Lower* screws securing display to Centris cup.
3. Loosen two *Upper* screws securing display.
4. Lift display upward and away from mount.
5. Using a hex head wrench turn the tension adjustment screw clockwise to increase tension, or counter-clockwise to decrease tension. (See Figure 11)
6. Re-install display.

**Figure 11**











Our Mounts. **Your Vision.**

Chief Manufacturing, a division of  
Milestone AV Technologies, Inc.

8832-000220 RevC  
©2008 Milestone AV Technologies  
[www.chiefmfg.com](http://www.chiefmfg.com)  
06/08

**USA/International**

**A** 8401 Eagle Creek Parkway, Savage, MN 55378  
**P** 800.582.6480 / 952.894.6280  
**F** 877.894.6918 / 952.894.6918

**Europe**

**A** Fellenoord 130 5611 ZB EINDHOVEN, The Netherlands  
**P** +31 (0)40 2668620

**Asia Pacific**

**F** +31 (0)40 2668615  
**A** Room 24F, Block D, Lily YinDu International Building  
LuoGang, BuJi Town, Shenzhen, CHINA.

深圳市布吉罗岗村百合银都国际大厦D栋24F

**P** +86-755-8996 9226

**F** +86-755-8996 9217

