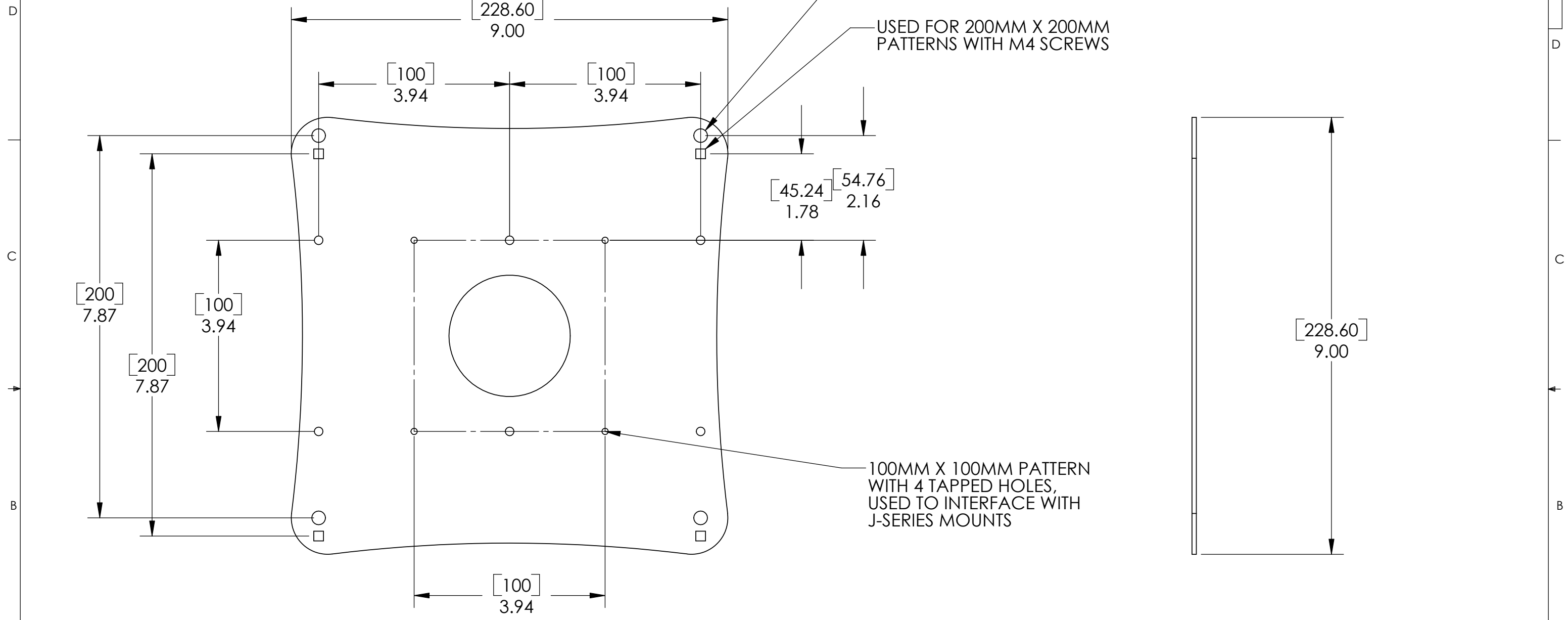


CHIEF MANUFACTURING INC.
MOUNT ORDER NUMBER IS JWS-210
PHONE: 1-800-582-6480

**THE INFORMATION AND DESIGNS CONTAINED
 IN THIS DRAWING ARE CONFIDENTIAL AND THE
 PROPRIETARY PROPERTY OF CHIEF MFG., INC.
 NEITHER THIS DESIGN NOR ANY INFORMATION
 CONTAINED IN THIS DRAWING MAY BE
 REPRODUCED OR DISCLOSED TO OTHERS
 WITHOUT THE EXPRESS WRITTEN CONSENT OF
 CHIEF MFG., INC.**

 CHIEF MANUFACTURING, INC. <small>8401 EAGLE CREEK PKWY STE. 700, SAVAGE, MN 55378 1.800.582.6480 * FAX 1.877.894.6918</small>	
<small>TITLE</small> CUSTOMER PRINT ASSEMBLY, SINGLE ARM MID SIZE LCD WALL MOUNT JWS-210	
<small>SIZE</small> B	<small>DWG. NO.</small> JWS-210

**VESA INTERFACE BRACKET
OPTIONAL PATTERNS
100MM X 200MM
200MM X 200MM**



**CHIEF MANUFACTURING INC.
MOUNT ORDER NUMBER IS JWS-210
PHONE: 1-800-582-6480**

**THE INFORMATION AND DESIGNS CONTAINED
IN THIS DRAWING ARE CONFIDENTIAL AND THE
PROPRIETARY PROPERTY OF CHIEF MFG., INC.
NEITHER THIS DESIGN NOR ANY INFORMATION
CONTAINED IN THIS DRAWING MAY BE
REPRODUCED OR DISCLOSED TO OTHERS
WITHOUT THE EXPRESS WRITTEN CONSENT OF
CHIEF MFG., INC.**

 CHIEF MANUFACTURING, INC. <small>8401 EAGLE CREEK PKWY STE. 700, SAVAGE, MN 55378 1.800.582.6480 * FAX 1.877.894.6918</small>	
<small>TITLE</small> CUSTOMER PRINT ASSEMBLY, DUAL SWINGARM DESK MOUNT JWS-210	
<small>SIZE</small> B	<small>DWG. NO.</small> JWS-210