

1 2 3 4 5 6 7 8

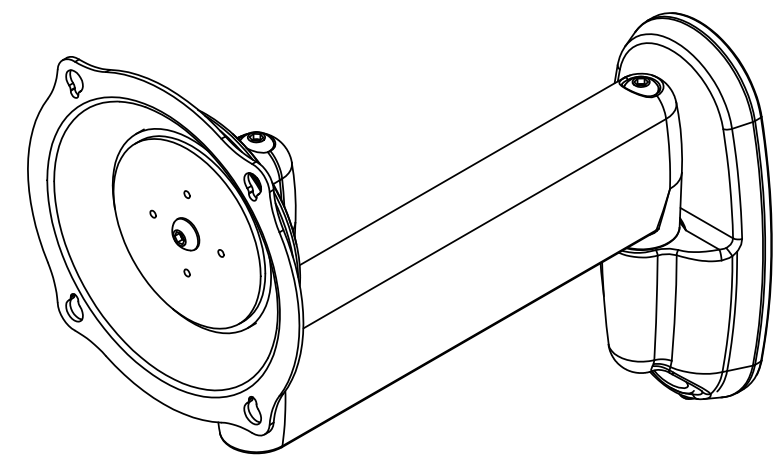
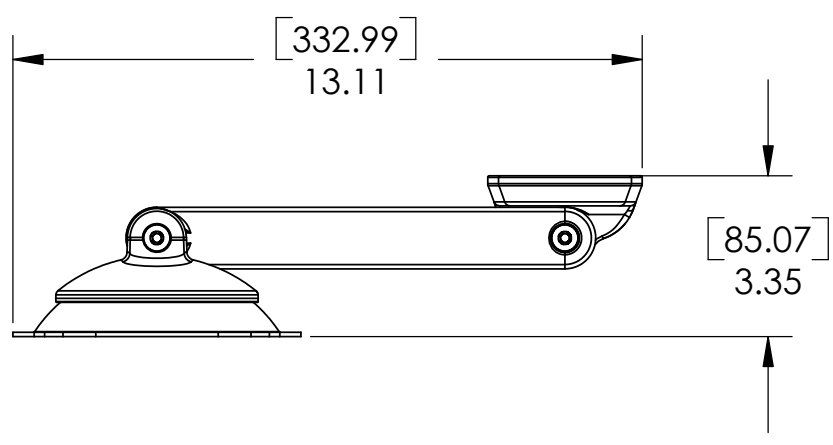
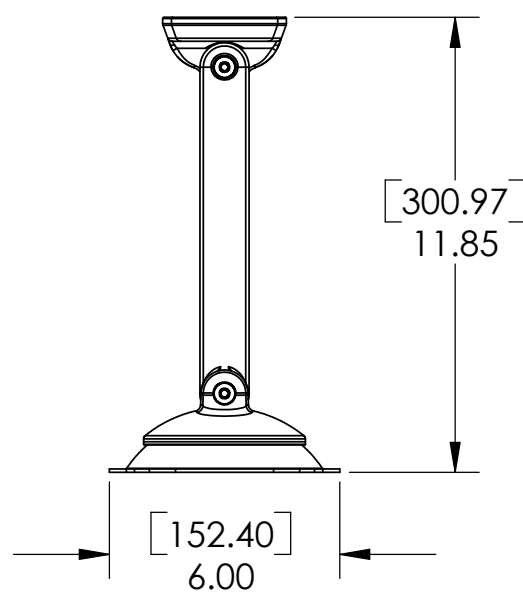
JWS-210

D

C

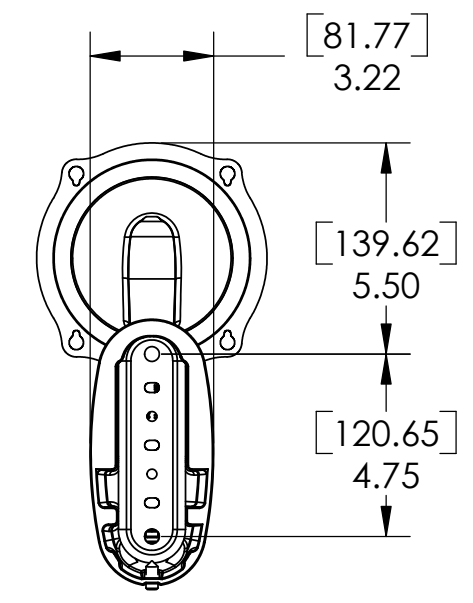
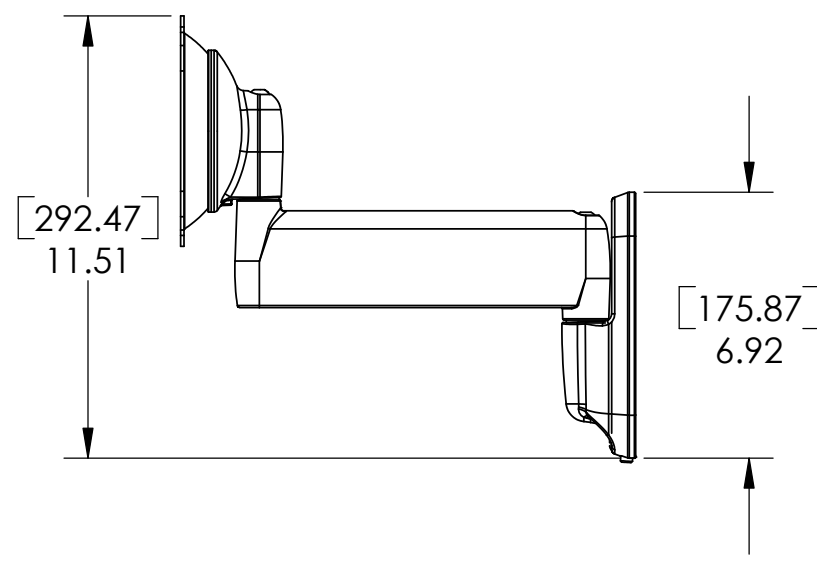
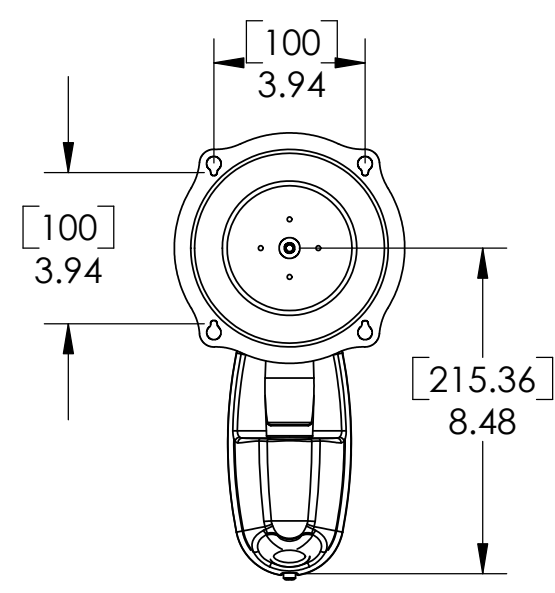
B

A



D

C



B

A



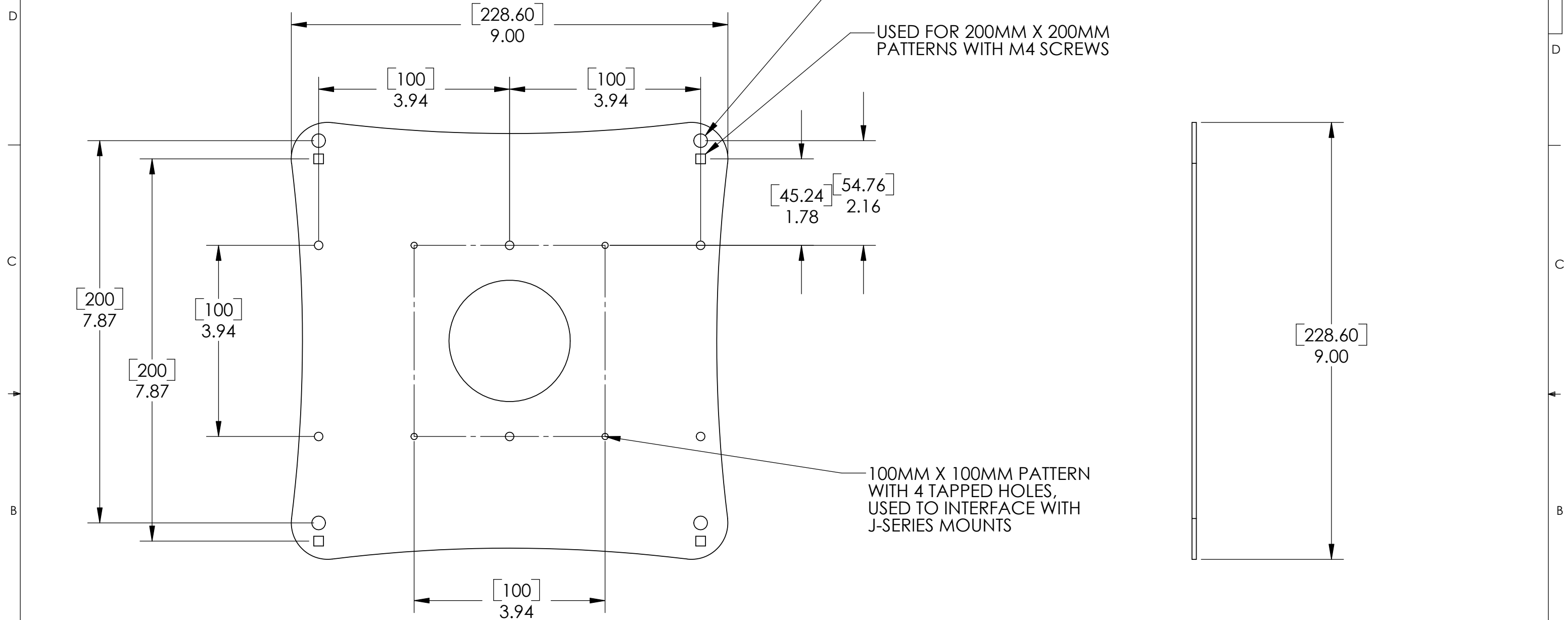
CHIEF MANUFACTURING INC.
MOUNT ORDER NUMBER IS JWS-210
PHONE: 1-800-582-6480

THE INFORMATION AND DESIGNS CONTAINED IN THIS DRAWING ARE CONFIDENTIAL AND THE PROPRIETARY PROPERTY OF CHIEF MFG., INC. NEITHER THIS DESIGN NOR ANY INFORMATION CONTAINED IN THIS DRAWING MAY BE REPRODUCED OR DISCLOSED TO OTHERS WITHOUT THE EXPRESS WRITTEN CONSENT OF CHIEF MFG., INC.

CHIEF	MANUFACTURING, INC.
	8401 EAGLE CREEK PKWY STE. 700, SAVAGE, MN 55378 1.800.582.6480 * FAX 1.877.894.6918
TITLE	CUSTOMER PRINT ASSEMBLY, SINGLE ARM MID SIZE LCD WALL MOUNT JWS-210
SIZE	DWG. NO. JWS-210


1 2 3 4 5 6 7 8

**VESA INTERFACE BRACKET
OPTIONAL PATTERNS
100MM X 200MM
200MM X 200MM**



**CHIEF MANUFACTURING INC.
MOUNT ORDER NUMBER IS JWS-210
PHONE: 1-800-582-6480**

**THE INFORMATION AND DESIGNS CONTAINED
IN THIS DRAWING ARE CONFIDENTIAL AND THE
PROPRIETARY PROPERTY OF CHIEF MFG., INC.
NEITHER THIS DESIGN NOR ANY INFORMATION
CONTAINED IN THIS DRAWING MAY BE
REPRODUCED OR DISCLOSED TO OTHERS
WITHOUT THE EXPRESS WRITTEN CONSENT OF
CHIEF MFG., INC.**

 CHIEF MANUFACTURING, INC. <small>8401 EAGLE CREEK PKWY STE. 700, SAVAGE, MN 55378 1.800.582.6480 * FAX 1.877.894.6918</small>	
<small>TITLE</small> CUSTOMER PRINT ASSEMBLY, DUAL SWINGARM DESK MOUNT JWS-210	
<small>SIZE</small> B	<small>DWG. NO.</small> JWS-210