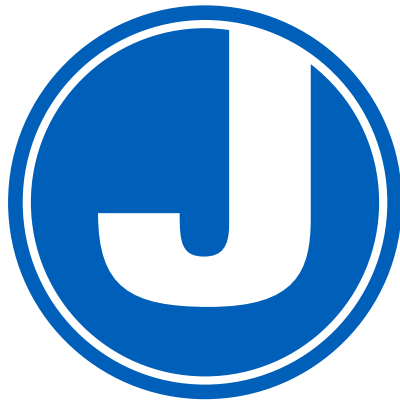
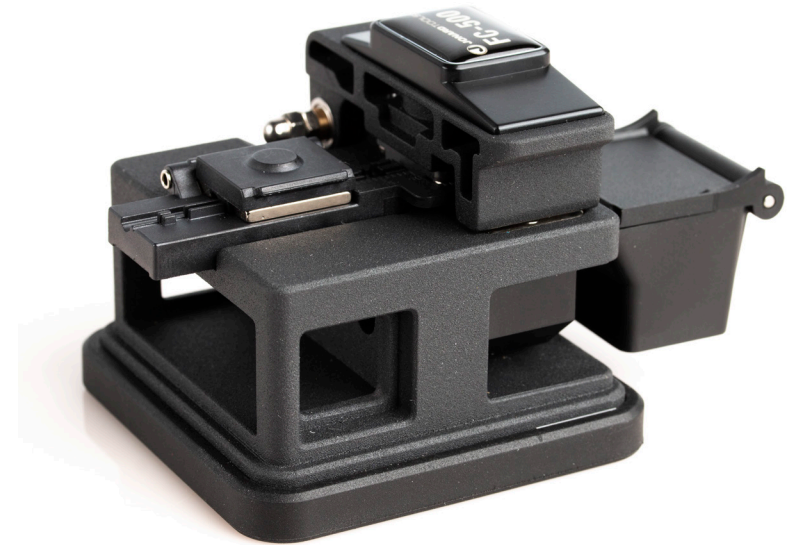




MADE FOR LIFE
GUARANTEED FOR LIFE



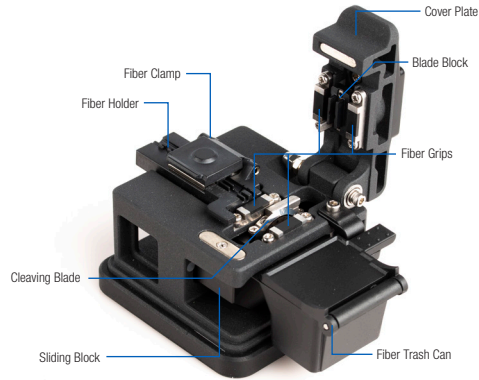
MADE FOR LIFE
GUARANTEED FOR LIFE



FC-500
FIBER CLEAVER INSTRUCTION MANUAL

SAFETY & CONTENTS

Please read this instruction manual carefully before operation of this tool and save it for future reference. Store the FC-500 in a dry and dust-free environment. Do not store or use the FC-500 in high temperature places. Do not use excess force when using the fiber cleaver. Regularly clean any dirt on the Fiber Clamp with alcohol. Do not use acetone or another corrosive solvent when cleaning the Fiber Clamp. Consistently clean the fiber box and ensure no dust or oil dirties the slot.

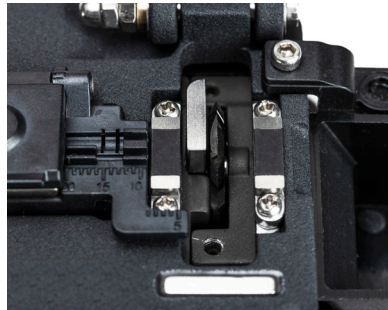


Product Model	FC-500
Includes	1.5mm & 2.0mm hex keys
Optical Fiber Cladding Diameter	125µm
Fiber Coating Diameter	0.25-0.9mm
Coated Outer Diameter	Single core
The length of bare fiber required before optical fiber cutting	Fiber cutting length $\geq 18\text{mm}$ ($\geq 0.7''$)
Fiber Cutting Length	5-20mm
Fiber Cutting Angle	$\leq 0.8^\circ$
Blade Life	48000 uses (3,000 per position)

OPERATING INSTRUCTIONS

Before You Start - Make sure the fiber trash can is open and the Sliding Block is pushed forward.

1. Open the Fiber Clamp and Cover Plate and put bare fiber ($\geq 18\text{mm}$ or $\geq 0.7''$) into the Fiber Holder. Align the stripped jacket of the fiber with the ruler to cleave to specific lengths of fiber.



2. Position the fiber so that it is past the Cleaving Blade. Then, close the Fiber Clamp and Cover Plate to hold the fiber in place. Ensure the fiber is straight and even before cleaving.

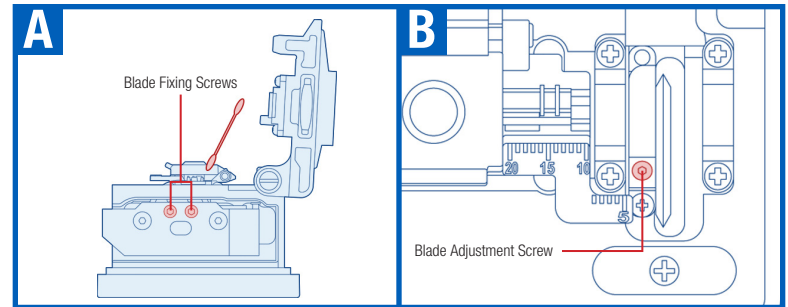
3. Gently push the Sliding Block to the back of the unit only once to cleave the fiber.



4. Open the Cover Plate and Fiber Clamp and remove the cleaved fiber. Do not allow the face of the fiber to contact any surface.
5. Close the Cover Plate, Fiber Clamp, and Fiber Trash Can. If the Trash Can is full, dispose of the contents carefully by tipping them into a separate fiber disposal container.

BLADE HEIGHT ADJUSTMENT INSTRUCTIONS

1. Loosen the Blade Fixing Screws in figure A;
2. Slightly adjust the Blade Adjustment Screw in figure B. Turn the screw clockwise to lower the blade and counterclockwise to raise the blade.
3. Put bare fiber into the fixture, lower the cover plate, push the block back and forth to see if the blade grazes the fiber. If not, adjust the blade until it does and re-tighten the screws.



BLADE ROTATION INSTRUCTIONS

1. Loosen the Blade Fixing Screws using the included 2.0 mm hex key.
2. Rotate the blade to a new position.

TIP: Adjust the blade height according to the method of the Blade Height Adjustment.

BLADE REPLACEMENT INSTRUCTIONS

1. Loosen the Blade Fixing Screws and use plastic tweezers to remove the old blade, then replace the old blade with a new blade.
2. Adjust the blade height according to the method of the Blade Height Adjustment instructions.

NOTE:

1. There are 16 cutting points indicated on the blade. Please clean the blade and fiber fixture when the blade can't be used. If it still doesn't work, the cutting point of the blade is completely worn, and the position of the blade will need to be adjusted.
2. Do not rotate the blade directly by hand; Do not use metal tools (such as tweezers, etc.) to turn the blade; If using metal tools, the possibility of blade damage is very high, cotton swabs are recommended.

