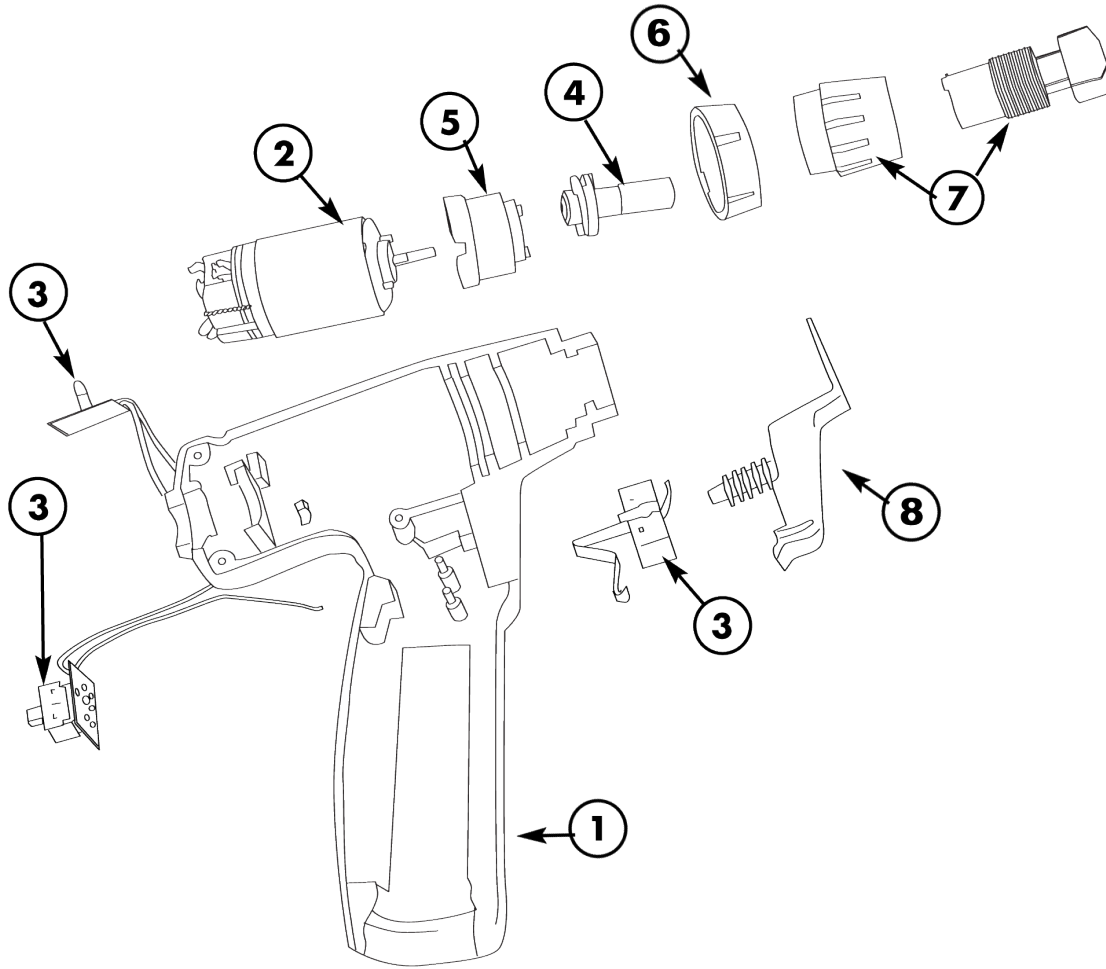


SPARE PARTS FOR PTX SERIES



	PART	DESCRIPTION
1	21311	HOUSING SET, PTX
2	21328	MOTOR, PTX, 3.6V
	16746	MOTOR, PTX-1, 115V
	16772	MOTOR, PTX-2, 230V
3	21547	PTX LOW BATTERY & SWITCH PCB ASSEMBLY
	21548	PTX-1 POWER & SWITCH PCB ASSEMBLY
	21549	PTX-2 POWER & SWITCH PCB ASSEMBLY
4	17163	CLUTCH ASSEMBLY, BF
	16766	CLUTCH ASSEMBLY, NON BF
5	16765	GEARBOX ASSEMBLY
6	21355	PTX HOUSING NUT
7	21407	COLLET ASSEMBLY
8	21313	TRIGGER PTX
9	12446	PTX POWER CORD 20 FOOT 115V (NOT SHOWN)
10	21402	PTX-2 POWER CORD 20 FOOT 230V (NOT SHOWN)