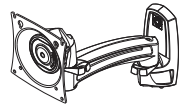
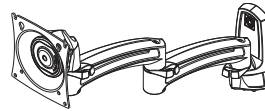


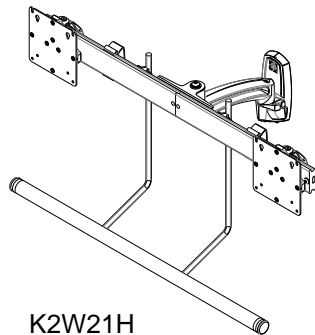
INSTALLATION INSTRUCTIONS



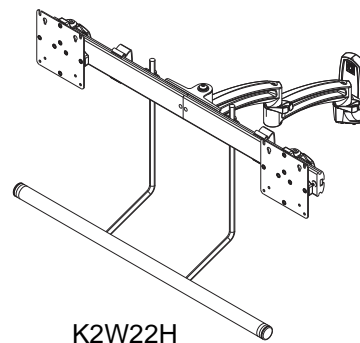
K2W110



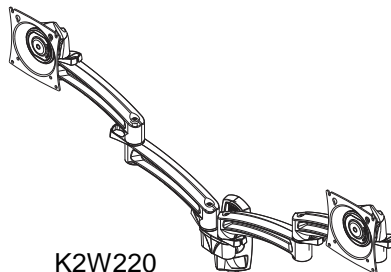
K2W120



K2W21H



K2W22H



K2W220

K2W Wall Mounts

Touchboards

205 Westwood Ave, Long Branch, NJ 07740

Phone: 866-94 BOARDS (26273) / (732)-222-1511

Fax: (732)-222-7088 | E-mail: sales@touchboards.com

 **CHIEF**[®]

Our Mounts. Your Vision.

K2W Series

DISCLAIMER

Milestone AV Technologies and its affiliated corporations and subsidiaries (collectively "Milestone"), intend to make this manual accurate and complete. However, Milestone makes no claim that the information contained herein covers all details, conditions or variations, nor does it provide for every possible contingency in connection with the installation or use of this product. The information contained in this document is subject to change without notice or obligation of any kind. Milestone makes no representation of warranty, expressed or implied, regarding the information contained herein. Milestone assumes no responsibility for accuracy, completeness or sufficiency of the information contained in this document.

Chief® is a registered trademark of Milestone AV Technologies. All rights reserved.

DEFINITIONS

MOUNTING SYSTEM: A MOUNTING SYSTEM is the primary Chief product to which an accessory and/or component is attached.

ACCESSORY: AN ACCESSORY is the secondary Chief product which is attached to a primary Chief product, and may have a component attached or setting on it.

COMPONENT: A COMPONENT is an audiovisual item designed to be attached or resting on an accessory or mounting system such as a video camera, CPU, screen, display, projector, etc.



WARNING: A WARNING alerts you to the possibility of serious injury or death if you do not follow the instructions.



CAUTION: A CAUTION alerts you to the possibility of damage or destruction of equipment if you do not follow the corresponding instructions.



IMPORTANT SAFETY INSTRUCTIONS!



WARNING: Failure to read, thoroughly understand, and follow all instructions can result in serious personal injury, damage to equipment, or voiding of factory warranty! It is the installer's responsibility to make sure all mounting systems are properly assembled and installed using the instructions provided.



WARNING: Failure to provide adequate structural strength for this mounting system can result in serious personal injury or damage to equipment! It is the installer's responsibility to make sure the structure to which this mounting system is attached can support five times the combined weight of all equipment. Reinforce the structure as required before installing the mounting system.



WARNING: Use this mounting system only for its intended use as described in these instructions. Do not use attachments not recommended by the manufacturer.



WARNING: Never operate this mounting system if it is damaged. Return the mounting system to a service center for examination and repair.



WARNING: Do not use this product outdoors.



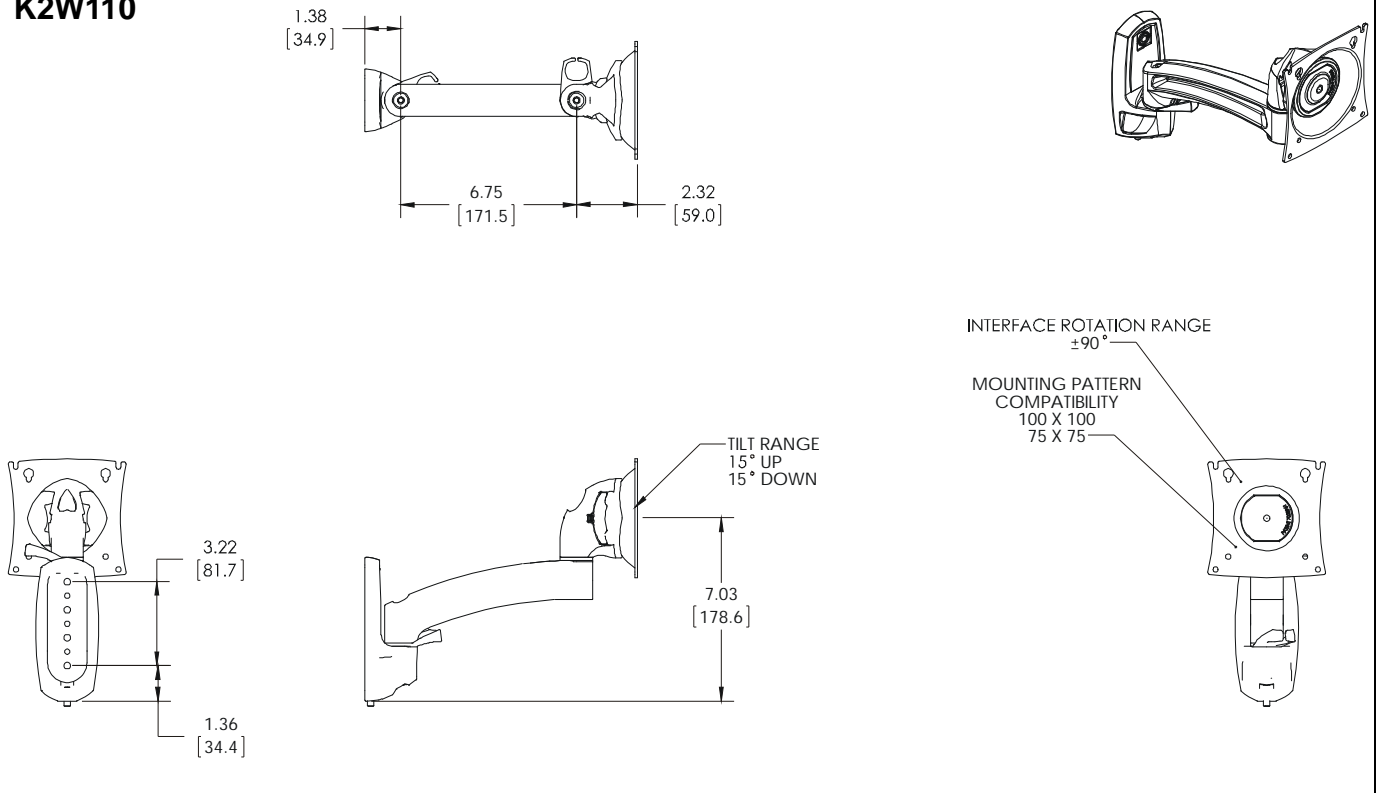
WARNING: Exceeding the weight capacity can result in serious personal injury or damage to equipment! It is the installer's responsibility to make sure the combined weight of all components located between the K2W Series Monitor Arm up to (and including) the display does not exceed the weight limit listed below. Use with products heavier than the maximum weight indicated may result in collapse of the mount and its accessories causing possible injury.

| MODEL | Max Weight Allowed for <u>EACH</u> Display | Max Weight Capacity of Mounting System |
|--------|--|--|
| K2W110 | 40 lbs (18.14 kg) | 40 lbs (18.14 kg) |
| K2W120 | 40 lbs (18.14 kg) | 40 lbs (18.14 kg) |
| K2W220 | 25 lbs (11.34 kg) | 50 lbs (22.68 kg) |
| K2W21H | 15 lbs (6.8 kg) | 30 lbs (13.6 kg) |
| K2W22H | 15 lbs (6.8 kg) | 30 lbs (13.6 kg) |

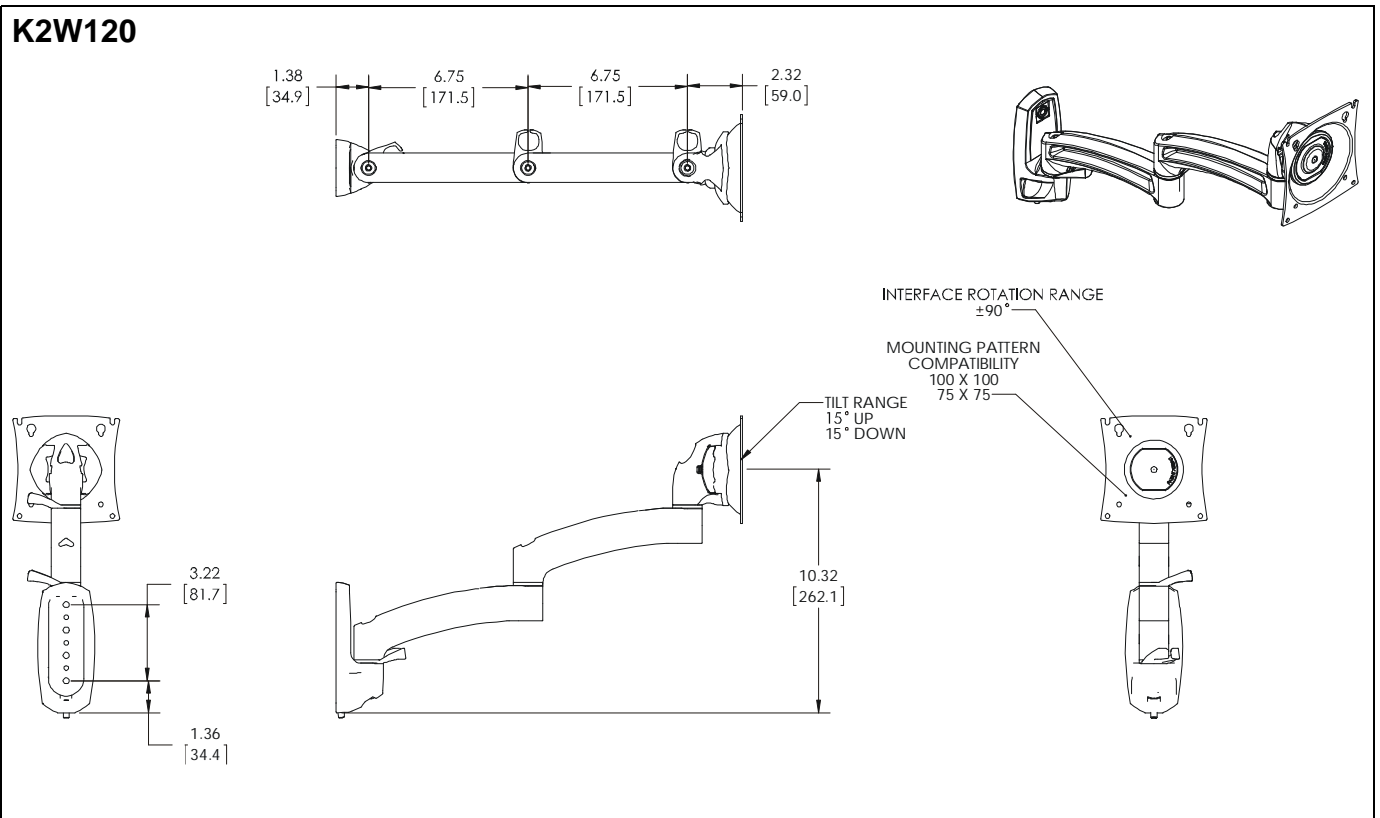
--SAVE THESE INSTRUCTIONS!--

DIMENSIONS

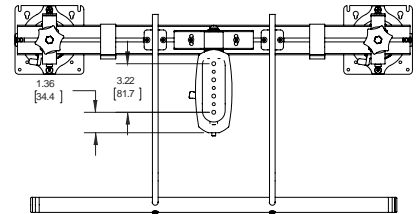
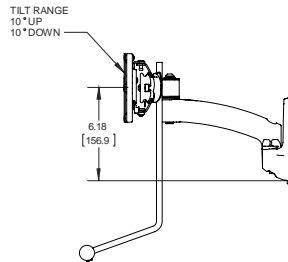
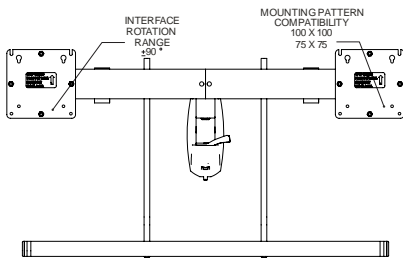
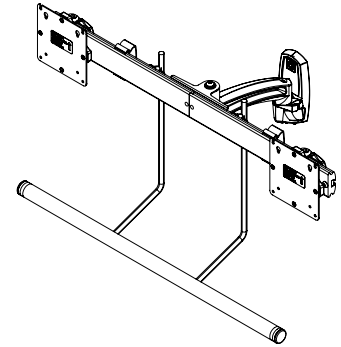
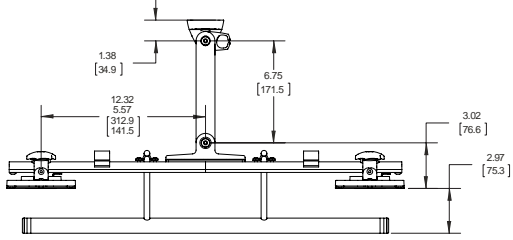
K2W110



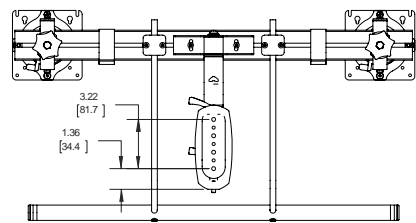
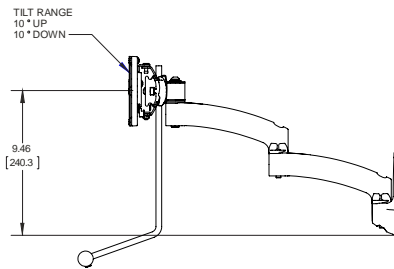
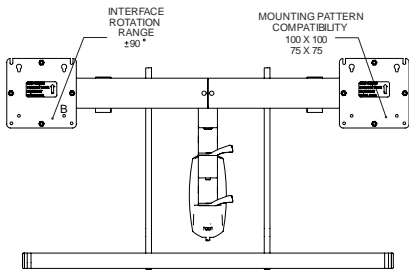
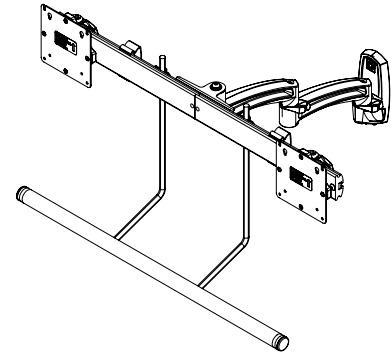
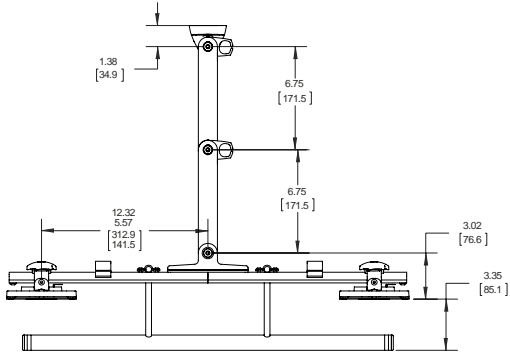
K2W120

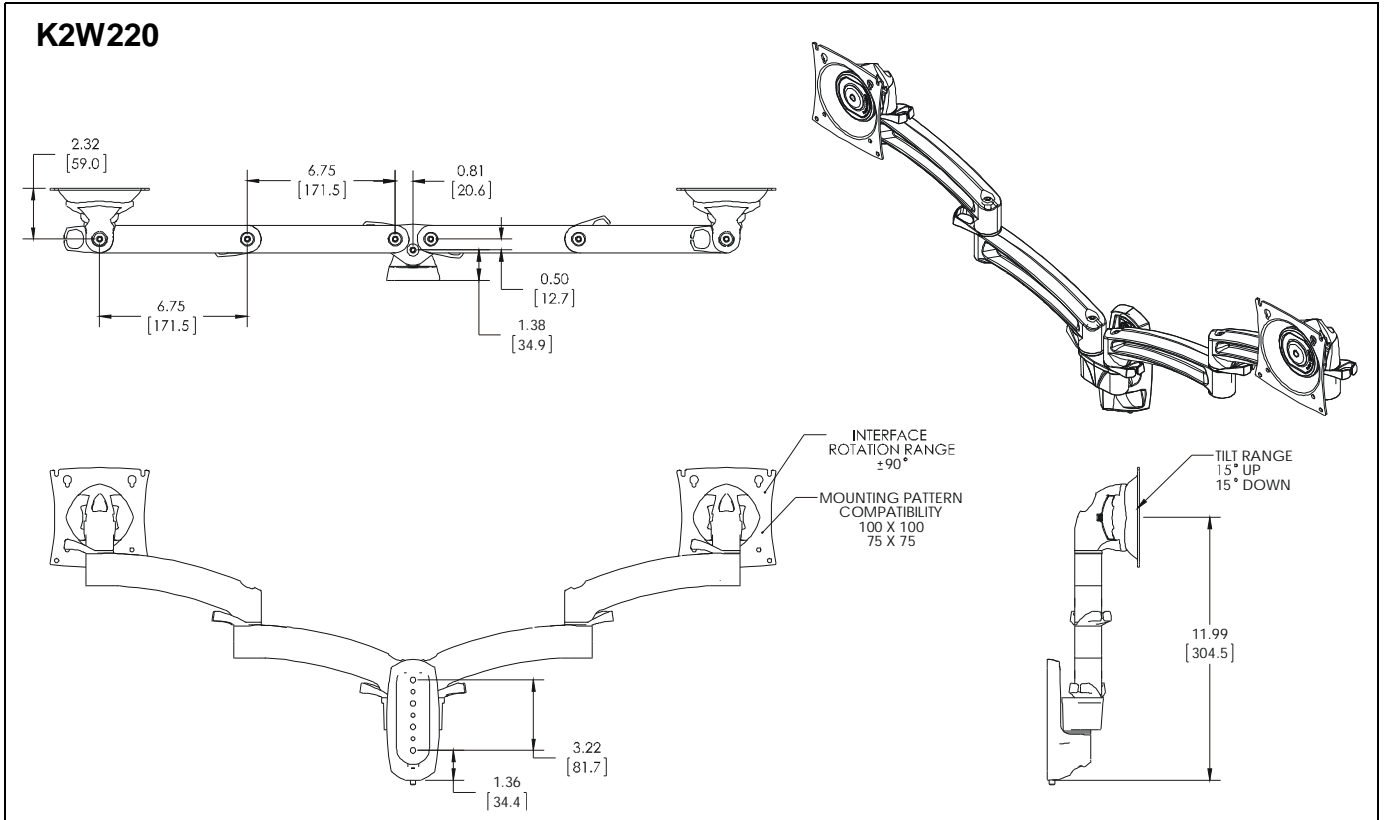


K2W21H

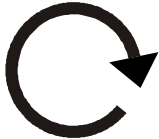

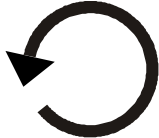











K2W22H

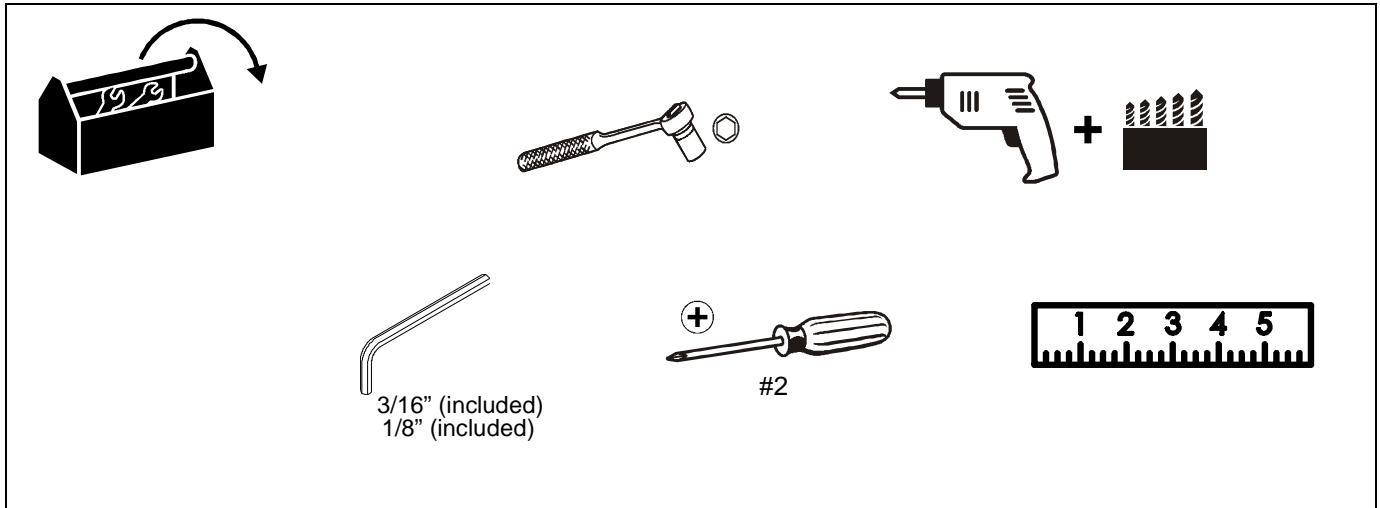




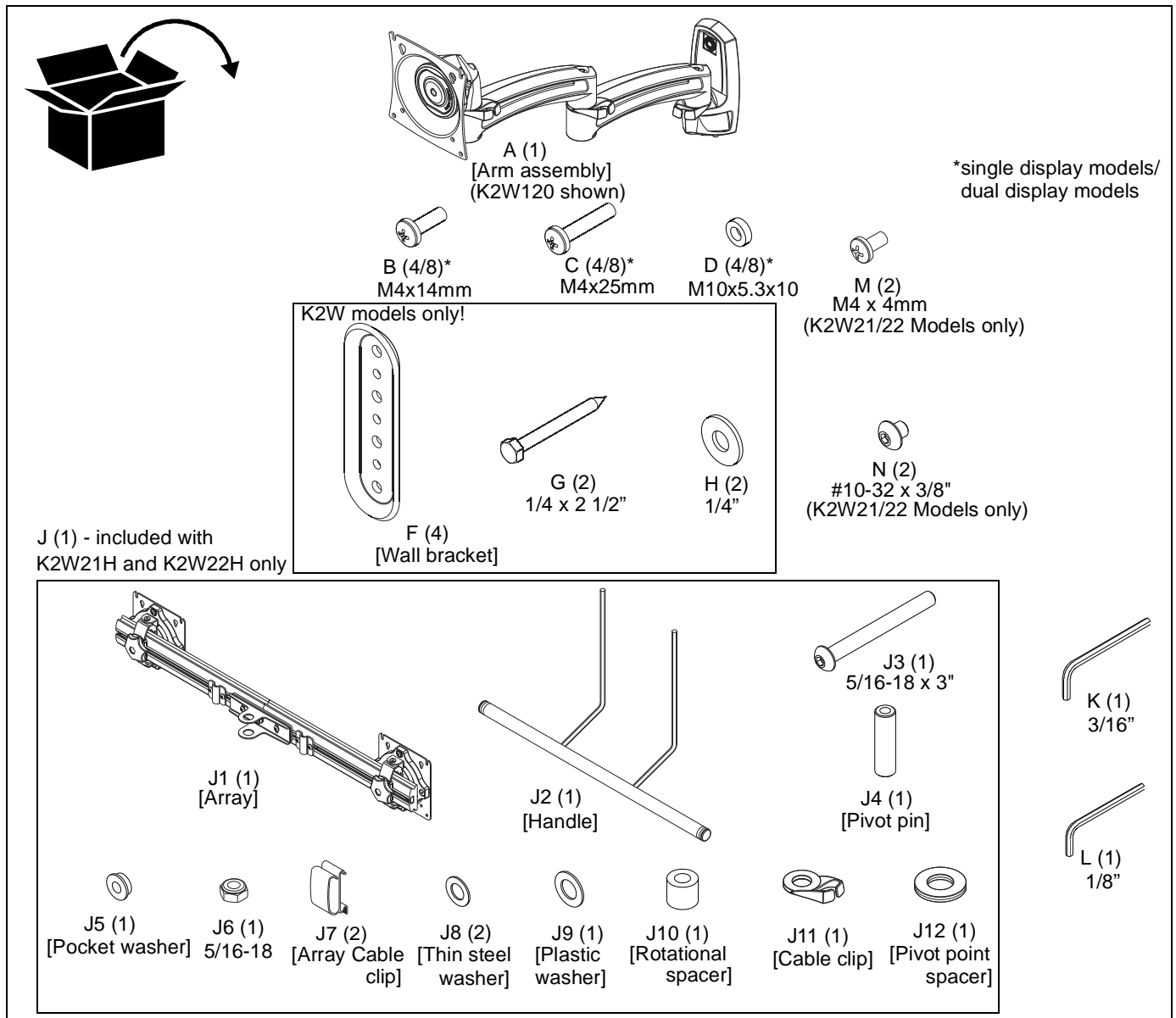
LEGEND

| | | | |
|---|---|--|---|
|  | Tighten Fastener Apretar elemento de fijación Befestigungsteil festziehen Apertar fixador Serrare il fissaggio Bevestiging vastdraaien Serrez les fixations |  | Pencil Mark Marcar con lápiz Stiftmarkierung Marcar com lápis Segno a matita Potloodmerkteken Marquage au crayon |
|  | Loosen Fastener Aflojar elemento de fijación Befestigungsteil lösen Desapertar fixador Allentare il fissaggio Bevestiging losdraaien Desserrez les fixations |  | Drill Hole Perforar Bohrloch Fazer furo Praticare un foro Gat boren Percez un trou |
|  | Phillips Screwdriver Destornillador Phillips Kreuzschlitzschraubendreher Chave de fendas Phillips Cacciavite a stella Kruiskopschroevendraaier Tournevis à pointe cruciforme |  | Adjust Ajustar Einstellen Ajustar Regolare Afstellen Ajuster |
|  | Open-Ended Wrench Llave de boca Gabelschlüssel Chave de bocas Chiave a punte aperte Steeksleutel Clé à fourche |  | Remove Quitar Entfernen Remover Rimuovere Verwijderen Retirez |
|  | By Hand A mano Von Hand Com a mão A mano Met de hand À la main |  | Optional Opcional Optional Opcional Opzionale Optie En option |
|  | Hex-Head Wrench Llave de cabeza hexagonal Sechskantschlüssel Chave de cabeça sextavada Chiave esagonale Zeskantsleutel Clé à tête hexagonale |  | Security Wrench Llave de seguridad Sicherheitsschlüssel Chave de segurança Chiave di sicurezza Veiligheidsleutel Clé de sécurité |

TOOLS REQUIRED FOR INSTALLATION



PARTS



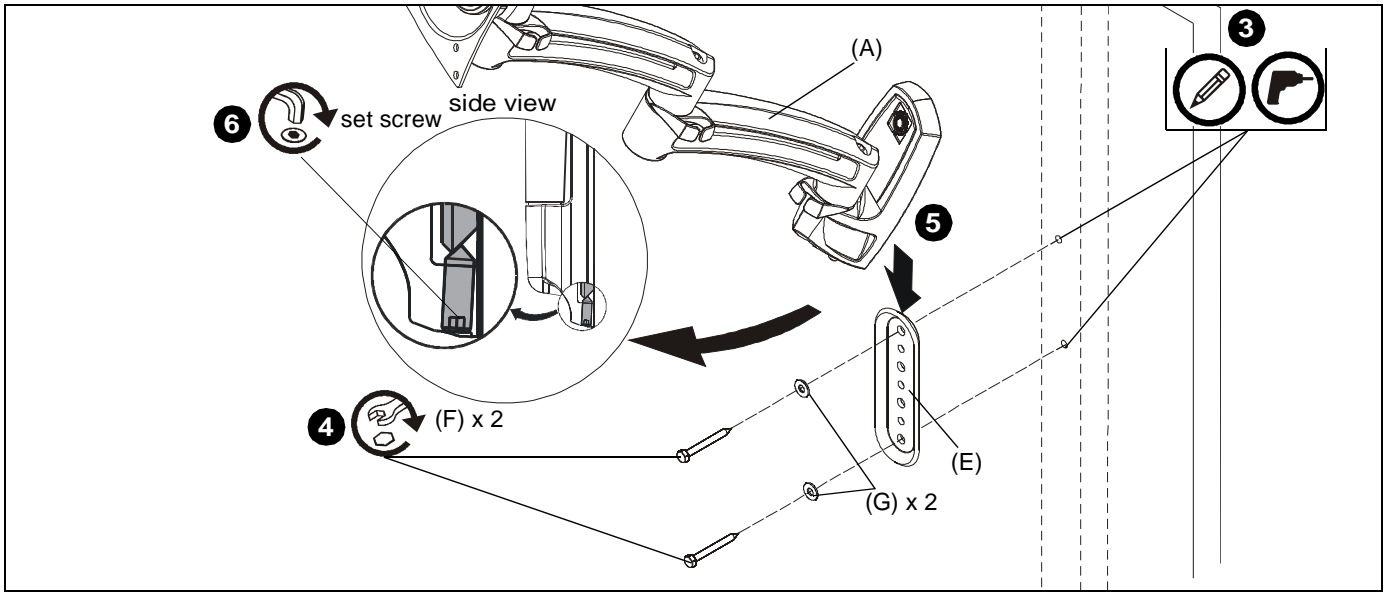


Figure 1

Assembly And Installation

Connecting K2W Series (wall mount) to Wall

1. Determine mounting location on wall.
2. Use a stud finder to locate 2" x 4" wood stud.
3. Use wall bracket (E) to mark and drill two 1/8" x 2 1/2" holes in wall at desired mounting location. (See Figure 1)

IMPORTANT ! : Only top and bottom holes of wall bracket (E) must be used to attach bracket to wall as shown in Figure 1. Do NOT use any other holes to secure bracket to wall!

4. Use two 1/4-2 1/2" hex head lag screws (F) and two 1/4" washers (G) to install wall bracket (E) onto wall. (See Figure 1)

IMPORTANT ! : Over tightening screws (F) may cause bracket to compress into soft wall surface resulting in difficult mount installation or improper engaging of set screw in Step 6.

5. Hang monitor arm (A) over wall bracket. (See Figure 1)
6. Secure monitor arm to wall bracket by tightening set screw. Ensure set screw engages back side of wall bracket (E) to properly secure mount. (See Figure 1)

Array Installation (K2W21H and K2W22H Models ONLY)

1. Slide rotational spacer (J10) into opening on array attachment bracket. (See Figure 2)
2. Use 5/16-18 x 3" button head cap screw (J3), two thin steel washers (J8), plastic spacer (J9), pocket washer (J5), pivot pin (J4), pivot point spacer (J12) and 5/16-18 lock nut (J6) to secure array (J1) to K2 arm (A). (See Figure 2)

NOTE: Cable clip (J11) can be used in place of pivot point spacer (J12) if additional cable management is desired. (See Figure 2)

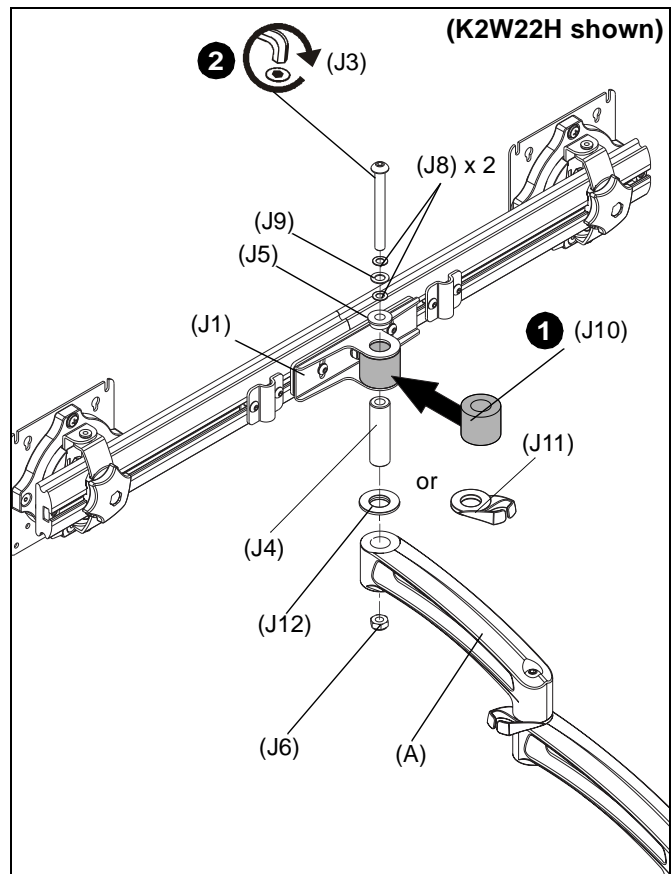


Figure 2

Display Installation



WARNING: Exceeding the weight capacity can result in serious personal injury or damage to equipment! It is the installer's responsibility to make sure the combined weight of all components located between the K2W Series Monitor Arm up to (and including) the display does not exceed the weight limit listed. Use with products heavier than the maximum weight indicated may result in collapse of the mount and its accessories causing possible injury.

| MODEL | Max Weight Allowed for <u>EACH</u> Display | Max Weight Capacity of Mounting System |
|--------|--|--|
| K2W110 | 40 lbs (18.14 kg) | 40 lbs (18.14 kg) |
| K2W120 | 40 lbs (18.14 kg) | 40 lbs (18.14 kg) |
| K2W220 | 25 lbs (11.34 kg) | 50 lbs (22.68 kg) |
| K2W21H | 15 lbs (6.8 kg) | 30 lbs (13.6 kg) |
| K2W22H | 15 lbs (6.8 kg) | 30 lbs (13.6 kg) |

K2W110, K2W120 AND K2W220

NOTE: K2W21H and K2W22H mounts have K1 Series faceplates on array arms. Proceed to K2W21H/ K2W22H Section.

The mounting holes on the back of the display will either be flush with the back surface or recessed into the back surface. Refer to the applicable installation procedure.

Flush Mounting Holes



CAUTION: Using screws of improper size may damage your display! Proper screws will easily and completely thread into display mounting holes.



CAUTION: Inadequate thread engagement in display may cause display to fall! Back out screws **ONLY** as necessary to allow installation of Centris bracket!

1. Ensure faceplate is able to swivel and tilt easily, yet still be tight enough to hold display in desired position. Adjust as required before proceeding. See "ADJUSTMENT" for detail. (See Figure 3)
2. Using Phillips screwdriver, carefully install two M4x14mm screws (B) into the *upper* mounting holes on the display. Thread screws completely into display, then back out 3 complete turns. (See Figure 3)

3. Pick up and align display so that screws (B) (installed on the back of the display in the previous step) fit into the mounting holes on the faceplate. Rotate the bracket as required. Lower the display firmly into place. (See Figure 3)

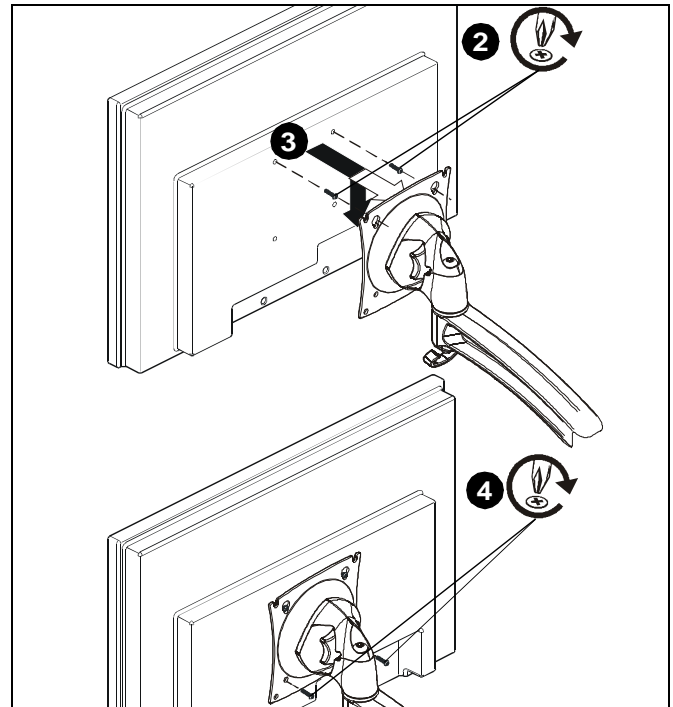


Figure 3

4. Using Phillips screwdriver, install two remaining M4x14mm Phillips screws (B) through the *lower* mounting holes in faceplate into the display. (See Figure 3)
5. Tighten all four screws (B). Do not overtighten!

Recessed Mounting Holes

1. Ensure Centris bracket is able to swivel and tilt easily, yet still be tight enough to hold display in desired position. Adjust as required before proceeding. See "ADJUSTMENT" for detail.
2. Carefully place display face down on protective surface.
3. Place the four spacers (D) over each of the mount holes on the back of the display. (See Figure 4)
4. Pick up and orient the mount (A) so that the mounting holes are aligned with the holes in the spacers; rotate the bracket as required. (See Figure 4)
5. Using Phillips screwdriver, install four M4x25mm screws (C) through the mounting holes, through the spacers and into the display. (See Figure 4)
6. Tighten all four screws. Do not overtighten!

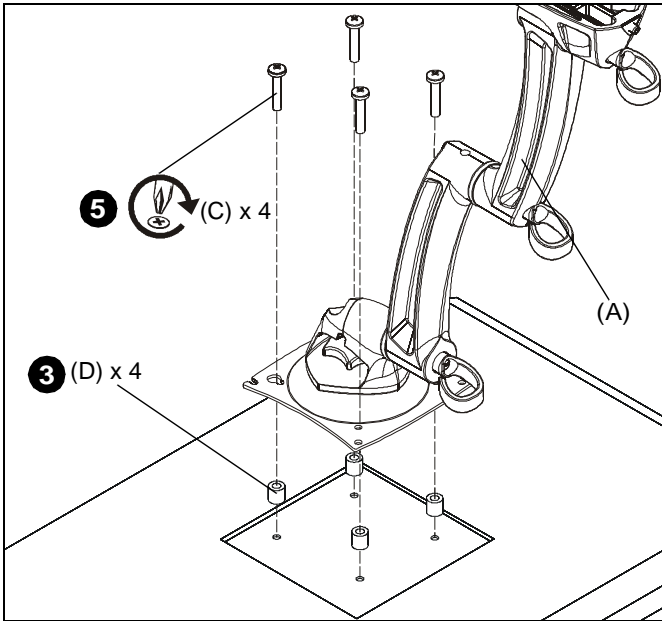


Figure 4

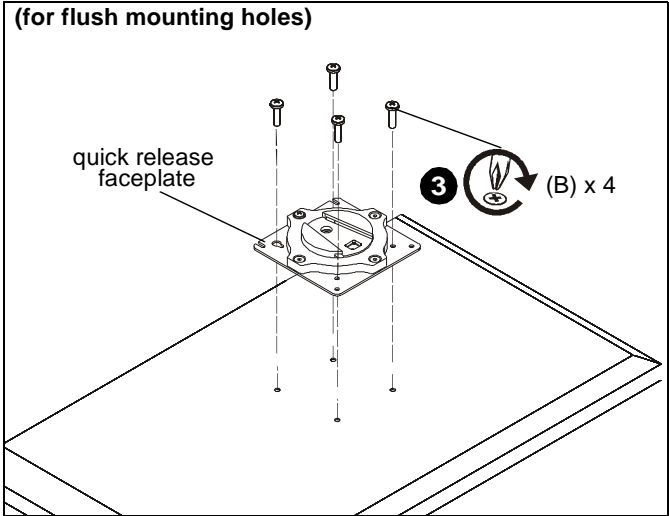


Figure 6

For recessed mounting hole installation:

- Place four spacers (D) on top of mounting holes on back of display. (See Figure 7)
- Using Phillips screwdriver, carefully install four M4x25mm screws (C) through corresponding holes on faceplate, spacers (D) and into the mounting holes on the display. (See Figure 7)

K2W21H/K2W22H

1. Remove quick release faceplate from mount by pulling quick release lever and sliding faceplate off mount. (See Figure 5)

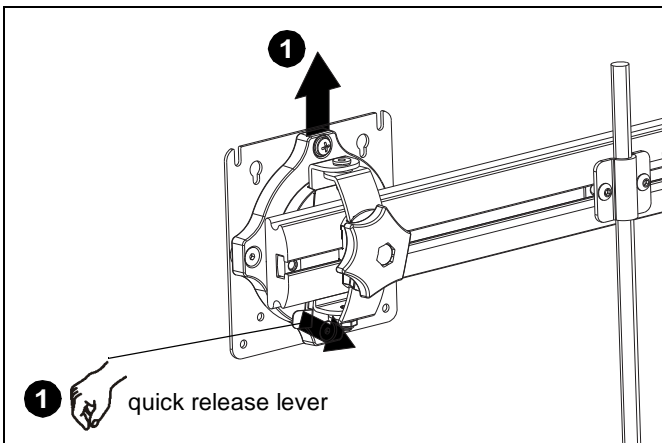


Figure 5

2. Carefully place display face down on protective surface.
3. Connect faceplate to display

For flush mounting hole installation:

- Using Phillips screwdriver, carefully install four M4x14mm screws (B) through corresponding holes on faceplate and into the mounting holes on the display. (See Figure 6)

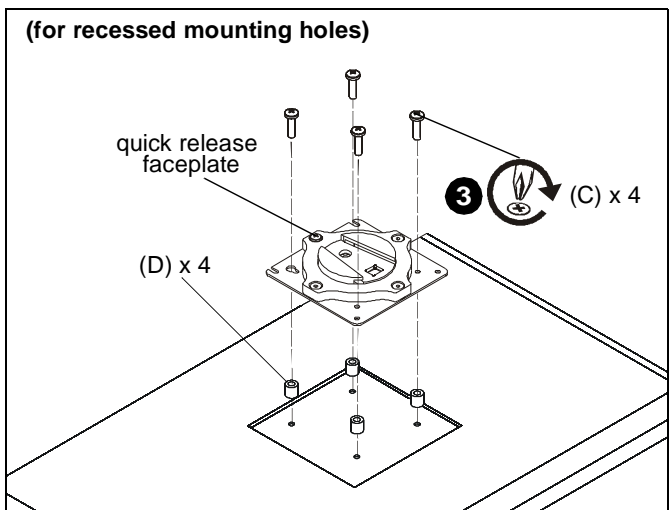


Figure 7

4. Position display with faceplate attached above mount. (See Figure 8)
5. Slide faceplate onto mounting head until quick release tab clicks into place. (See Figure 8)

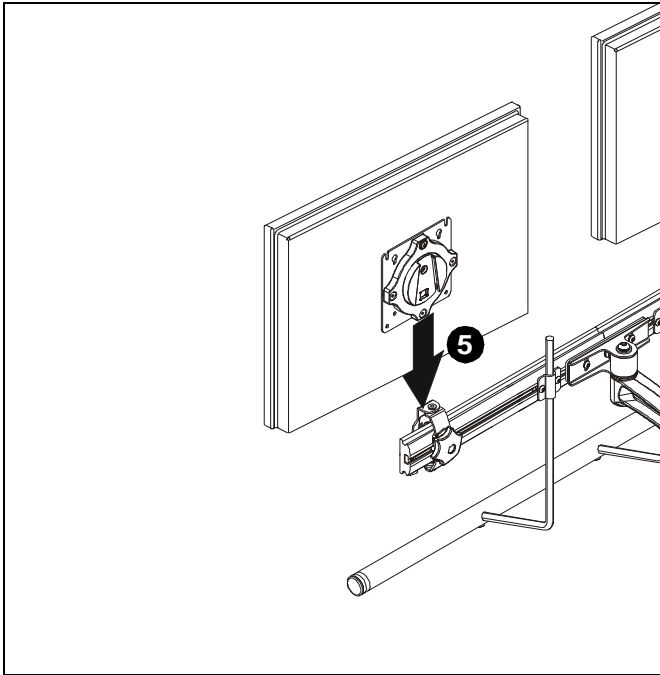


Figure 8

Handle Installation (K2W21/22H models only)

1. Loosen four screws securing handle brackets to K2W21H/ K2W22H array. (See Figure 9)
2. Install uprights of handle (J2) into handle brackets located on the back of array. (See Figure 9)

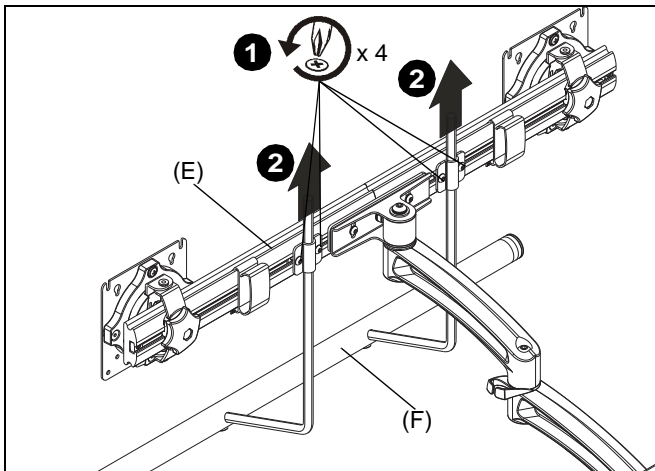


Figure 9

3. Position handle (J2) at desired height and secure by tightening button head cap screws attaching handle brackets to array. (See Figure 10)

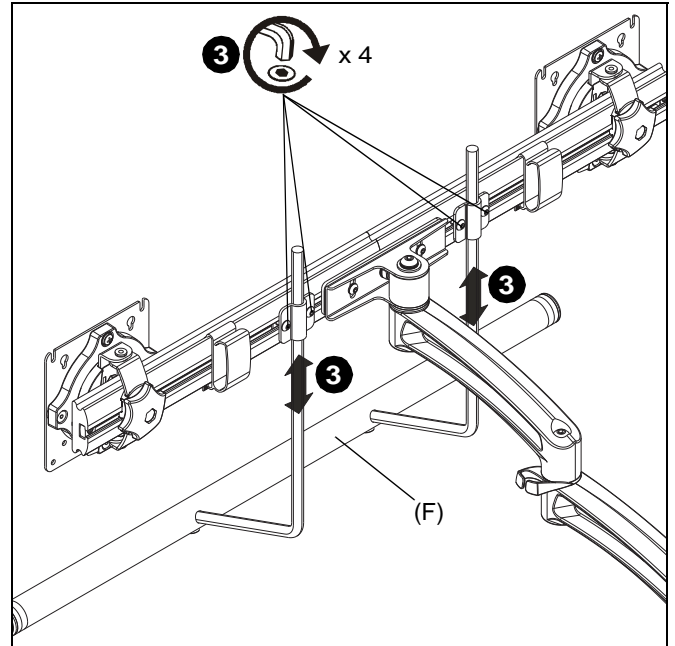


Figure 10

Adjustments

Rotational Adjustment - K2W21/22H models only

NOTE: (Optional) Rotational adjustment may be locked by installing rotational locking screw (N) into back of faceplate. (See Figure 11)

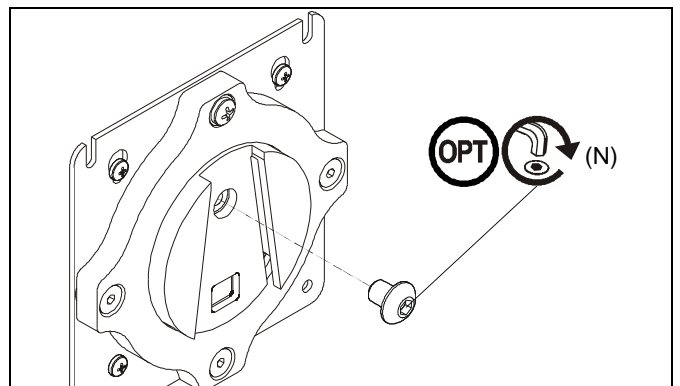


Figure 11

1. The monitor may be adjusted 90 degrees in either direction in order to provide a portrait view of the monitor. (See Figure 12)
2. Use Phillips screwdriver to adjust rotational adjustment screw to adjust rotational tension. (See Figure 12)

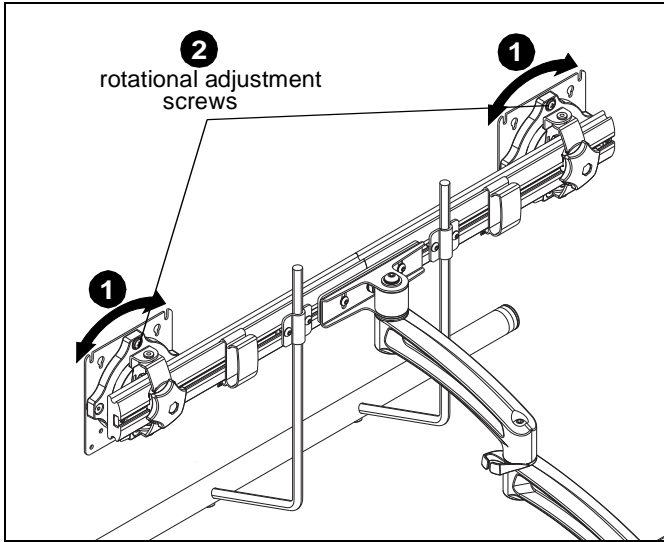


Figure 12

Adjustments - K2W21H/22H models only

1. Loosen knobs securing faceplates to array. (See Figure 13)
2. Slide displays laterally on array to adjust lateral shift. (See Figure 13)
3. Adjust pitch and pivot position as desired. (See Figure 13)
4. Tighten knobs to secure faceplates in position. (See Figure 13)

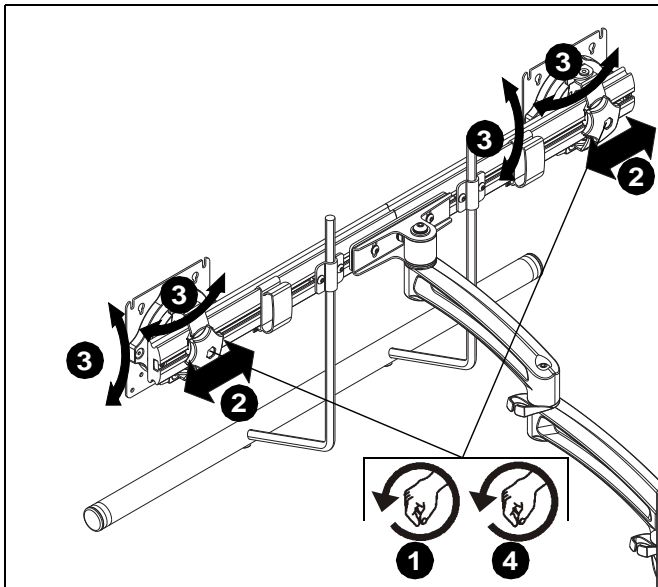


Figure 13

Array Bar Roll Adjustment

1. Loosen roll adjustment screws on back of array bracket. (See Figure 14)
2. Adjust roll of array bar as desired. (See Figure 14)
3. Tighten roll adjustment screws on back of array bracket. (See Figure 14)

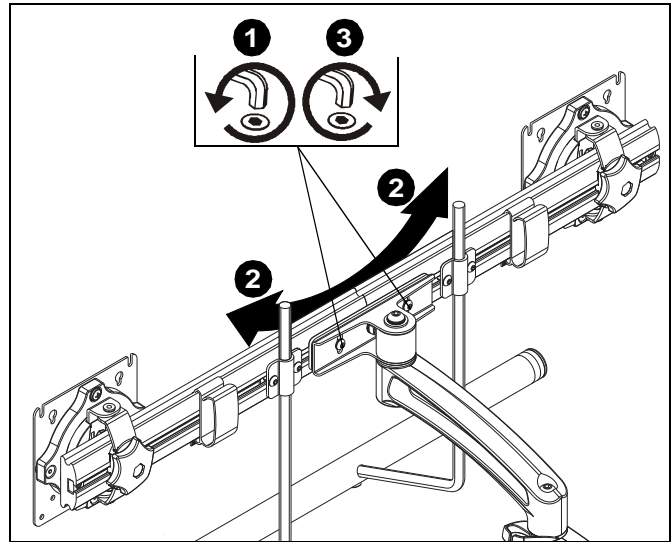


Figure 14

Swing Arm Pivot Adjustment

1. Adjust pivot position as desired. (See Figure 15)
2. Adjust pivot point tension screws to change pivot adjustment tension. (See Figure 15)

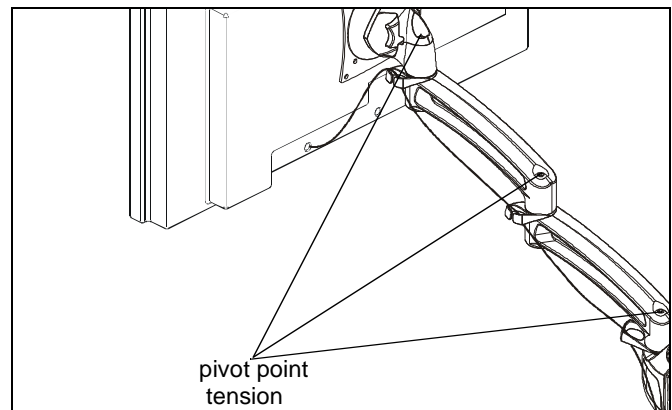


Figure 15

Cable Management

1. Route cables through cable management channels. (See Figure 16)

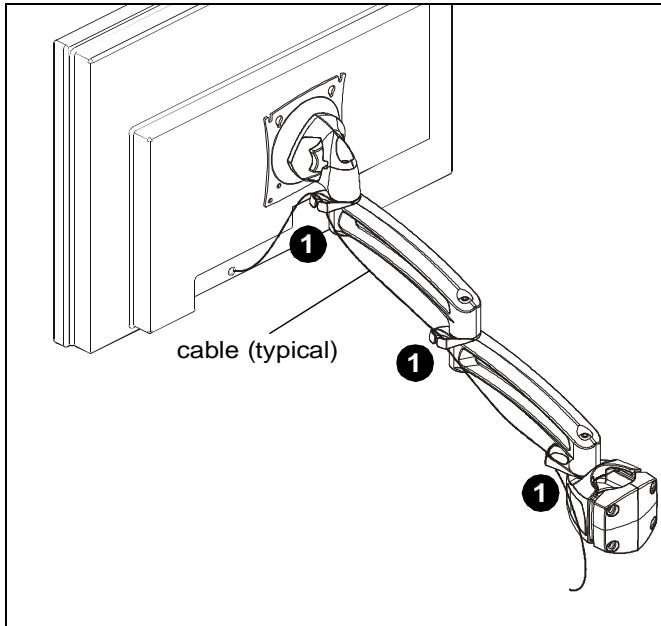


Figure 16

Array Models

1. Install cable clips (J7) to back of array. (See Figure 17)
2. Route cables through cable clips (J7) as desired. (See Figure 17)

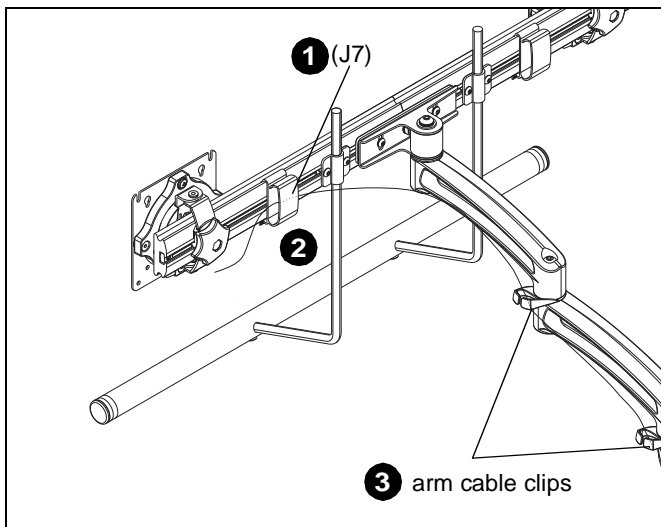


Figure 17



Our Mounts. **Your Vision.**

Chief, a products division of
Milestone AV Technologies

8800-002830 Rev00
©2016 Milestone AV Technologies
www.milestone.com
11/16

| | |
|--------------------------|--|
| USA/International | A 6436 City West Parkway, Eden Prairie, MN 55344 P 800.582.6480 / 952.225.6000 F 877.894.6918 / 952.894.6918 |
| Europe | A Franklinstraat 14, 6003 DK Weert, Netherlands P +31 (0) 495 580 852 F +31 (0) 495 580 845 |
| Asia Pacific | A Office No. 918 on 9/F, Shatin Galleria 18-24 Shan Mei Street Fotan, Shatin, Hong Kong P 852 2145 4099 F 852 2145 4477 |

