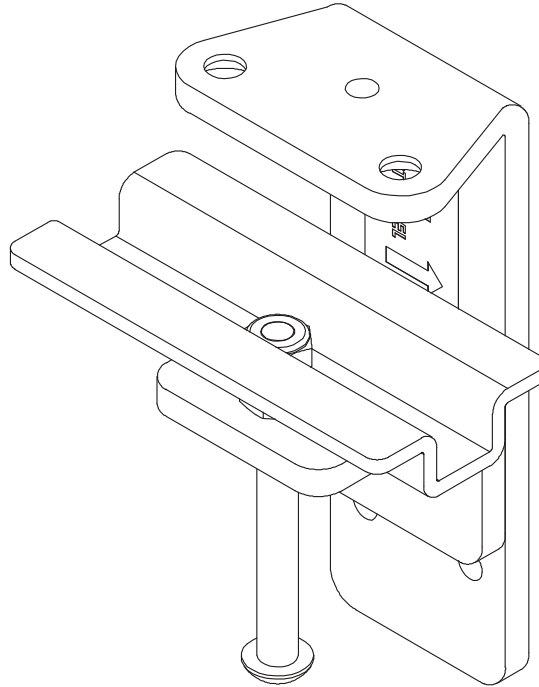


---

# INSTALLATION INSTRUCTIONS

---



---

## Low Profile Kontour™ Desk Clamp

---

**Touchboards**

205 Westwood Ave, Long Branch, NJ 07740  
Phone: 866-94 BOARDS (26273) / (732)-222-1511  
Fax: (732)-222-7088 | E-mail: [sales@touchboards.com](mailto:sales@touchboards.com)

**DISCLAIMER**

Milestone AV Technologies and its affiliated corporations and subsidiaries (collectively "Milestone"), intend to make this manual accurate and complete. However, Milestone makes no claim that the information contained herein covers all details, conditions or variations, nor does it provide for every possible contingency in connection with the installation or use of this product. The information contained in this document is subject to change without notice or obligation of any kind. Milestone makes no representation of warranty, expressed or implied, regarding the information contained herein. Milestone assumes no responsibility for accuracy, completeness or sufficiency of the information contained in this document.

Chief® and Kontour™ are registered trademarks of Milestone AV Technologies. All rights reserved.

**! IMPORTANT SAFETY INSTRUCTIONS!**

**! WARNING:** A WARNING alerts you to the possibility of serious injury or death if you do not follow the instructions.

**! CAUTION:** A CAUTION alerts you to the possibility of damage or destruction of equipment if you do not follow the corresponding instructions.

**! WARNING:** Failure to read, thoroughly understand, and follow all instructions can result in serious personal injury, damage to equipment, or voiding of factory warranty! It is the installer's responsibility to make sure all components are properly assembled and installed using the instructions provided.

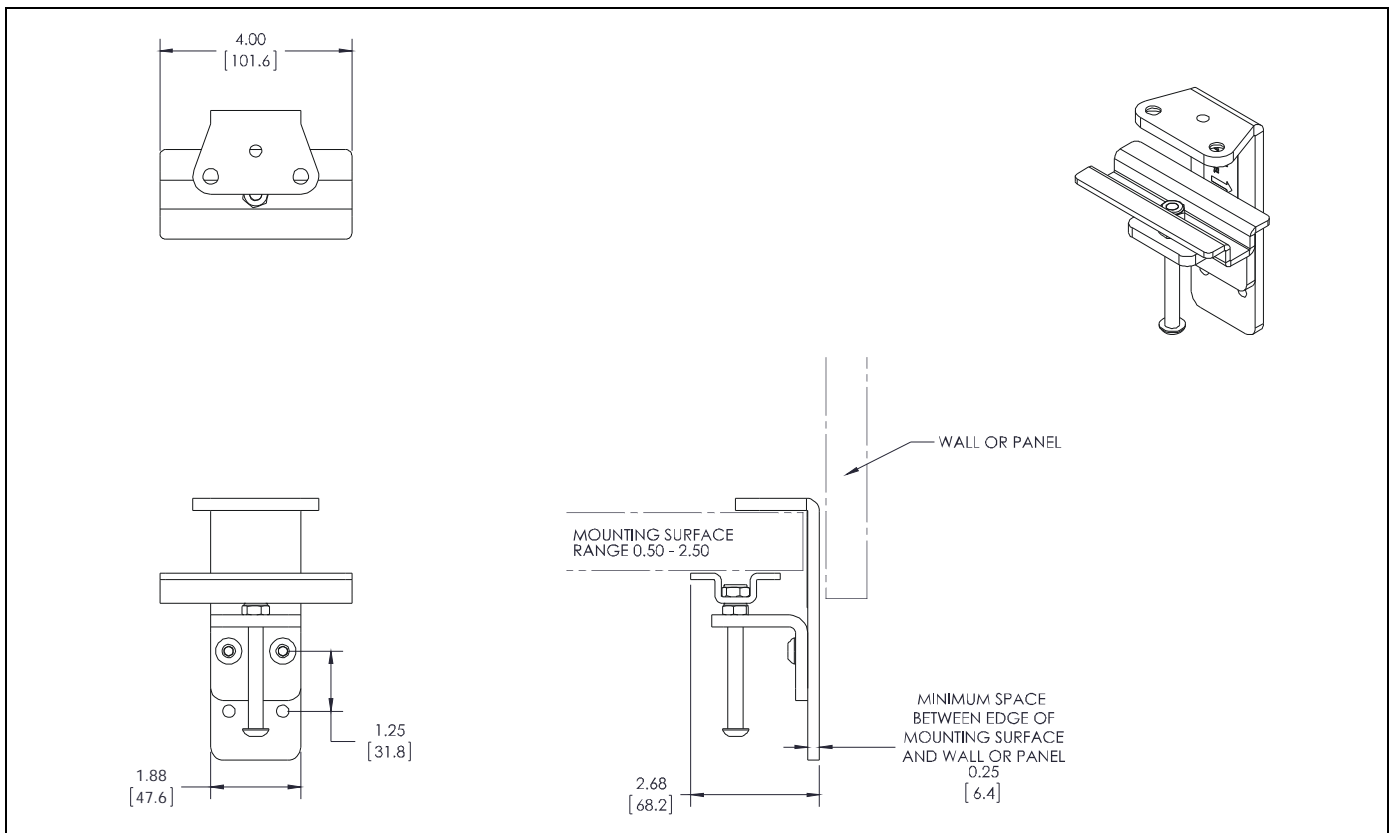
**! WARNING:** Use this mounting system only for its intended use as described in these instructions. Do not use attachments not recommended by the manufacturer.

**! WARNING:** Never operate this mounting system if it is damaged. Return the mounting system to a service center for examination and repair.

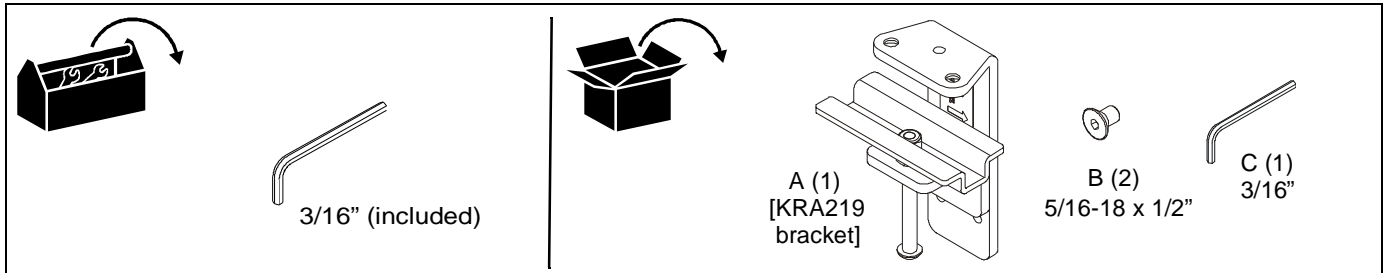
**! WARNING:** Do not use this product outdoors.

**! WARNING:** Failure to provide adequate structural strength for this component can result in serious personal injury or damage to equipment! The KRA219 can ONLY be mounted onto desks measuring between 1/2" and 2 1/2" in depth!

**--SAVE THESE INSTRUCTIONS--**

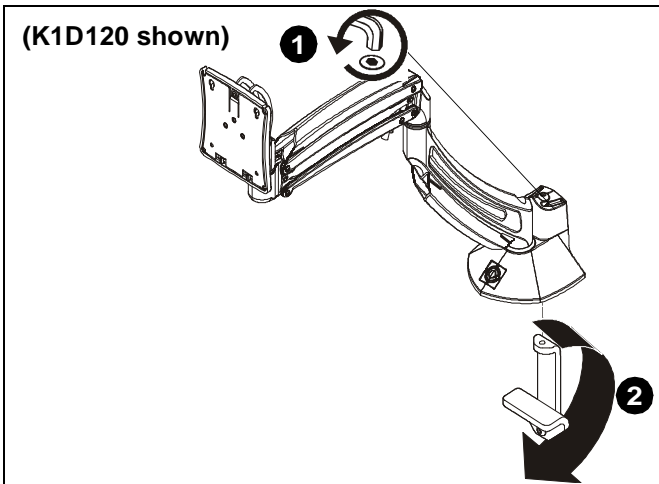


**TOOLS / PARTS FOR INSTALLATION**



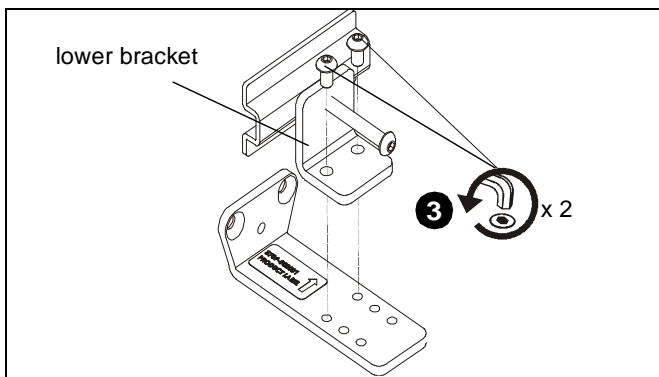
**ASSEMBLY AND INSTALLATION**

1. Remove desk clamp from mount by loosening button head cap screw until clamp is completely disengaged from the bolt. (See Figure 1)
2. Maneuver clamp so that it is totally removed from desk mount. (See Figure 1)



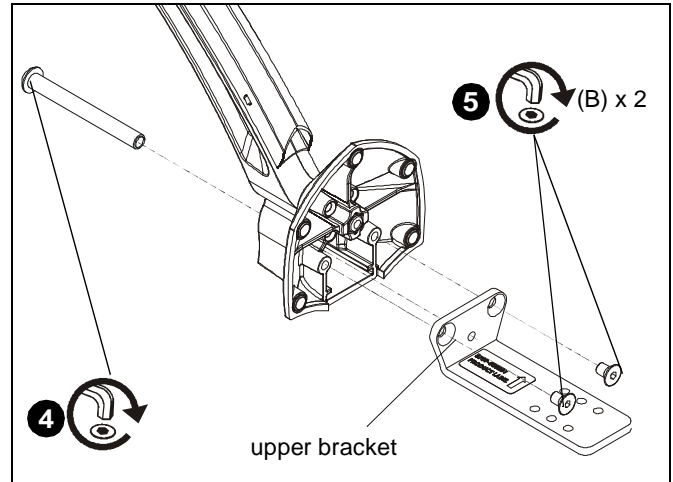
**Figure 1**

3. Remove lower bracket from KRA219 clamp bracket by removing two screws holding it to clamp bracket. (See Figure 2)



**Figure 2**

4. Use button head cap screw loosened in Step 1 to attach upper bracket of KRA219 to Kontour mount. (See Figure 3)
5. Use two 5/16-18 x 1/2" flat head cap screws (B) to secure upper bracket for KRA219 clamp bracket to Kontour mount. (See Figure 3)

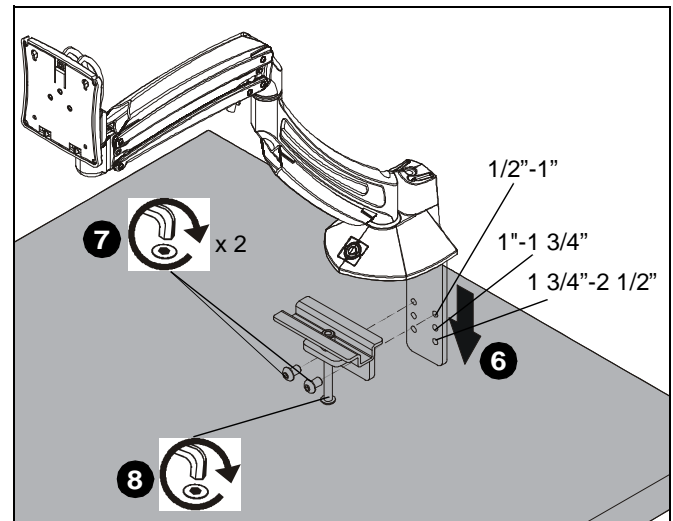


**Figure 3**

6. Slide upper bracket behind desk. (See Figure 4)
7. Use two screws removed in Step 3 to reattach lower bracket to upper bracket. (See Figure 4)

**NOTE:** Use upper holes if mounting to a desk between 1/2" and 1" in depth. Use middle holes if mounting to a desk between 1" and 1 3/4" in depth. Use lower holes if mounting to a desk between 1 3/4" and 2 1/2" in depth.

8. Tighten bolt on lower clamp to fully secure clamp to desk. (See Figure 4)



**Figure 4**



Our Mounts. **Your Vision.**

Chief, a products division of  
Milestone AV Technologies

8800-002491 Rev00  
©2014 Milestone AV Technologies  
[www.chiefmfg.com](http://www.chiefmfg.com)  
03/14

<b>USA/International</b>	<b>A</b> 6436 City West Parkway, Eden Prairie, MN 55344 <b>P</b> 800.582.6480 / 952.225.6000 <b>F</b> 877.894.6918 / 952.894.6918
<b>Europe</b>	<b>A</b> Franklinstraat 14, 6003 DK Weert, Netherlands <b>P</b> +31 (0) 495 580 852 <b>F</b> +31 (0) 495 580 845
<b>Asia Pacific</b>	<b>A</b> Office No. 918 on 9/F, Shatin Galleria 18-24 Shan Mei Street Fotan, Shatin, Hong Kong <b>P</b> 852 2145 4099 <b>F</b> 852 2145 4477

