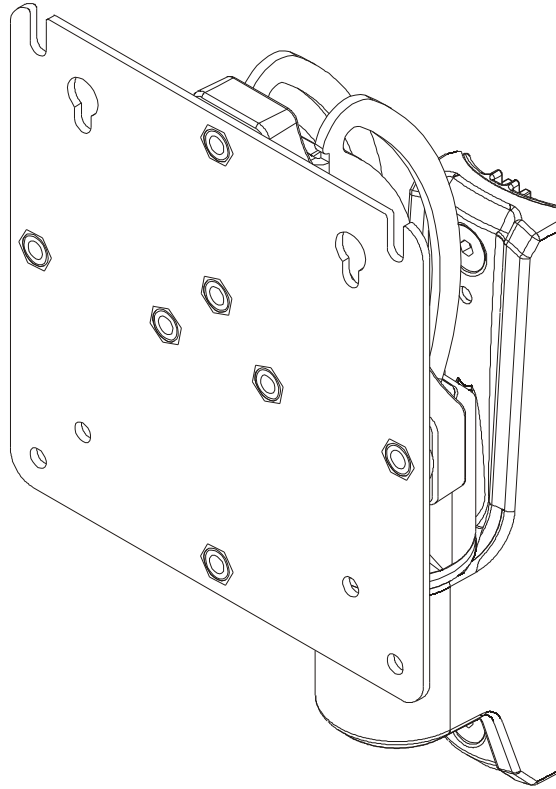

INSTALLATION INSTRUCTIONS



Kontour™ Extreme Tilt Column Mount Accessory

DISCLAIMER

Milestone AV Technologies and its affiliated corporations and subsidiaries (collectively “Milestone”), intend to make this manual accurate and complete. However, Milestone makes no claim that the information contained herein covers all details, conditions or variations, nor does it provide for every possible contingency in connection with the installation or use of this product. The information contained in this document is subject to change without notice or obligation of any kind. Milestone makes no representation of warranty, expressed or implied, regarding the information contained herein. Milestone assumes no responsibility for accuracy, completeness or sufficiency of the information contained in this document.

Chief® is a registered trademark of Milestone AV Technologies. All rights reserved.

DEFINITIONS

MOUNTING SYSTEM: A MOUNTING SYSTEM is the primary Chief product to which an accessory and/or component is attached.

ACCESSORY: AN ACCESSORY is the secondary Chief product which is attached to a primary Chief product, and may have a component attached or setting on it.

COMPONENT: A COMPONENT is an audiovisual item designed to be attached or resting on an accessory or mounting system such as a video camera, CPU, screen, display, projector, etc.



WARNING: A WARNING alerts you to the possibility of serious injury or death if you do not follow the instructions.



CAUTION: A CAUTION alerts you to the possibility of damage or destruction of equipment if you do not follow the corresponding instructions.



IMPORTANT SAFETY INSTRUCTIONS



WARNING: Failure to read, thoroughly understand, and follow all instructions can result in serious personal injury, damage to equipment, or voiding of factory warranty! It is the installer’s responsibility to make sure all mounting systems/ accessories are properly assembled and installed using the instructions provided.



WARNING: Failure to provide adequate structural strength for this component can result in serious personal injury or damage to equipment! It is the installer’s responsibility to make sure the structure to which this accessory is attached can support five times the combined weight of all equipment. Reinforce the structure as required before installing the accessory.



WARNING: Exceeding the weight capacity can result in serious personal injury or damage to equipment! It is the installer’s responsibility to make sure the combined weight of all components located on the KRA231 accessory does not exceed 25 lbs (11.34 kg). In addition, when the KRA231 accessory is attached to a K1C or K2C Series mounting system, the listed weight capacity of that assembly becomes the weight capacity listed in Table 1.

Table 1: Weight Capacity

MODEL (Original K1 or K2 Series mounting system)	Max Weight for EACH Display	Max Weight Capacity of Mounting System <u>WITH</u> KRA231 Attached
K1C120	25 lbs (11.34 kg) for original mount	50 lbs* (22.68 kg) [total of ALL displays]
K2C120	40 lbs (18.14 kg) for original mount	50 lbs* (22.68 kg) [total of ALL displays]

* The total of 50 lbs (22.68 kg) should be evenly distributed between displays.

* 25 lbs (11.34 kg) maximum **individual** display weight.



WARNING: Use this accessory only for its intended use as described in these instructions. Do not use attachments not recommended by the manufacturer.



WARNING: Never operate this accessory if it is damaged. Return the accessory to a service center for examination and repair.

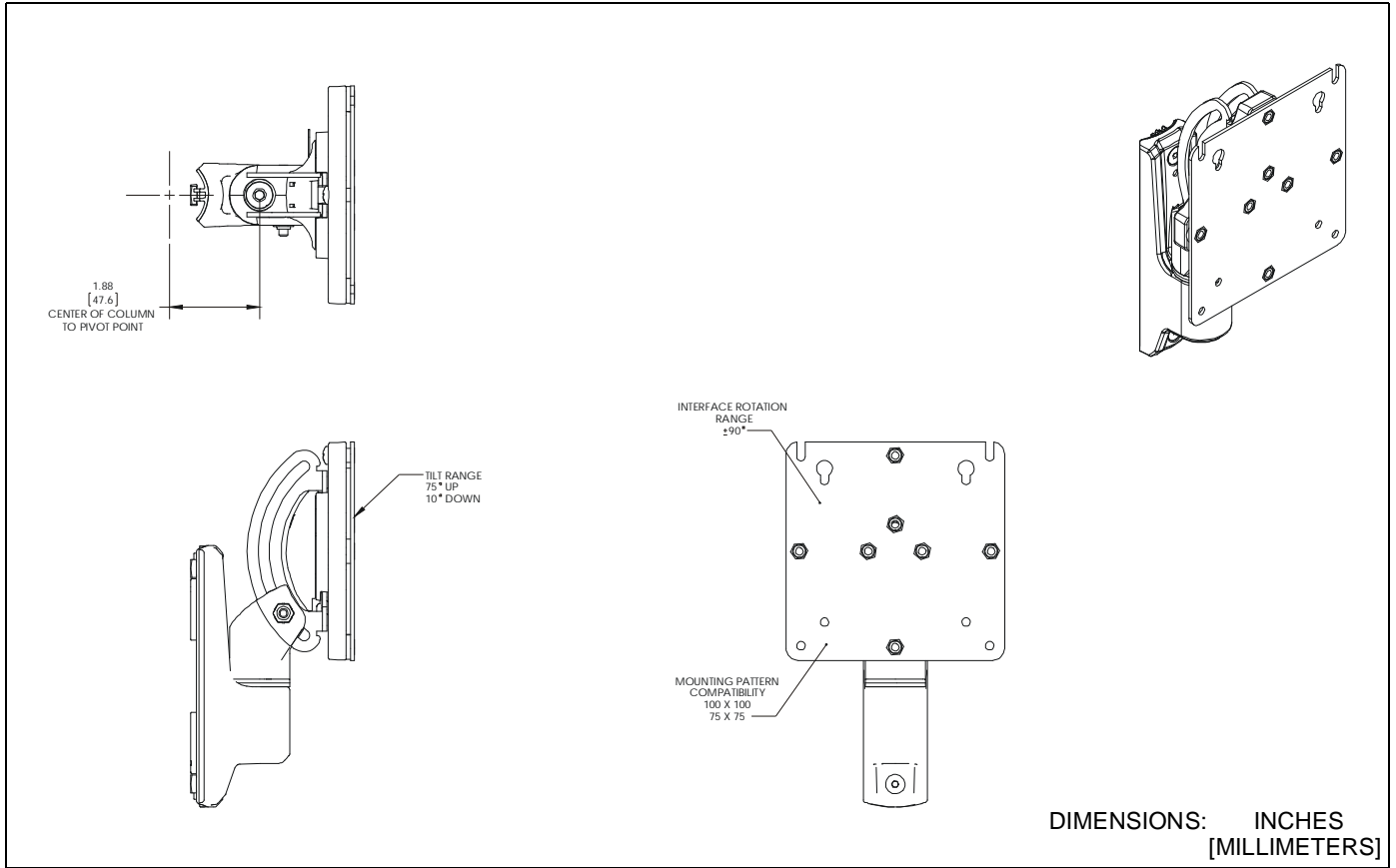


WARNING: Do not use this product outdoors.



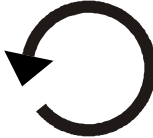


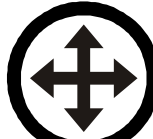






IMPORTANT ! : The KRA231 accessory is designed to be a center monitor mount for K1C and K2C Series column mounts.

--SAVE THESE INSTRUCTIONS--

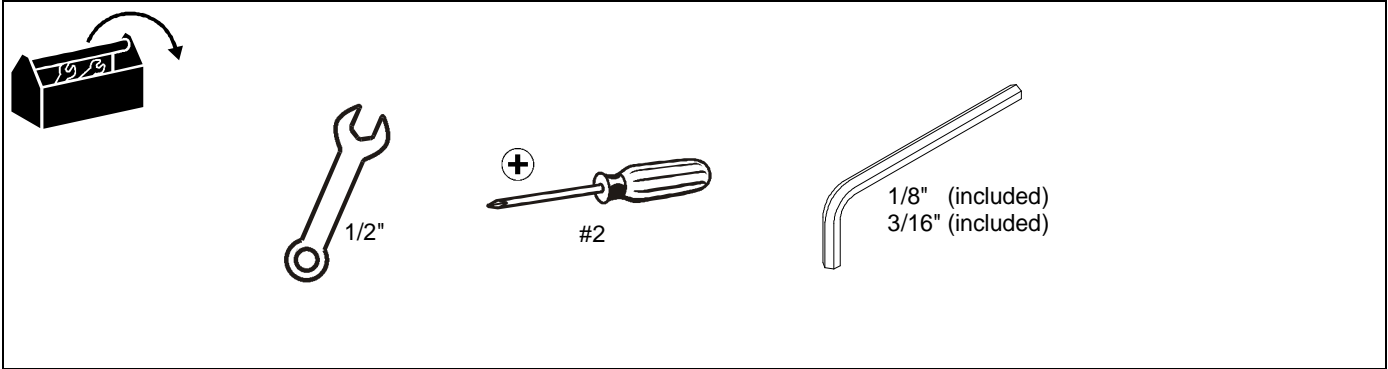
DIMENSIONS



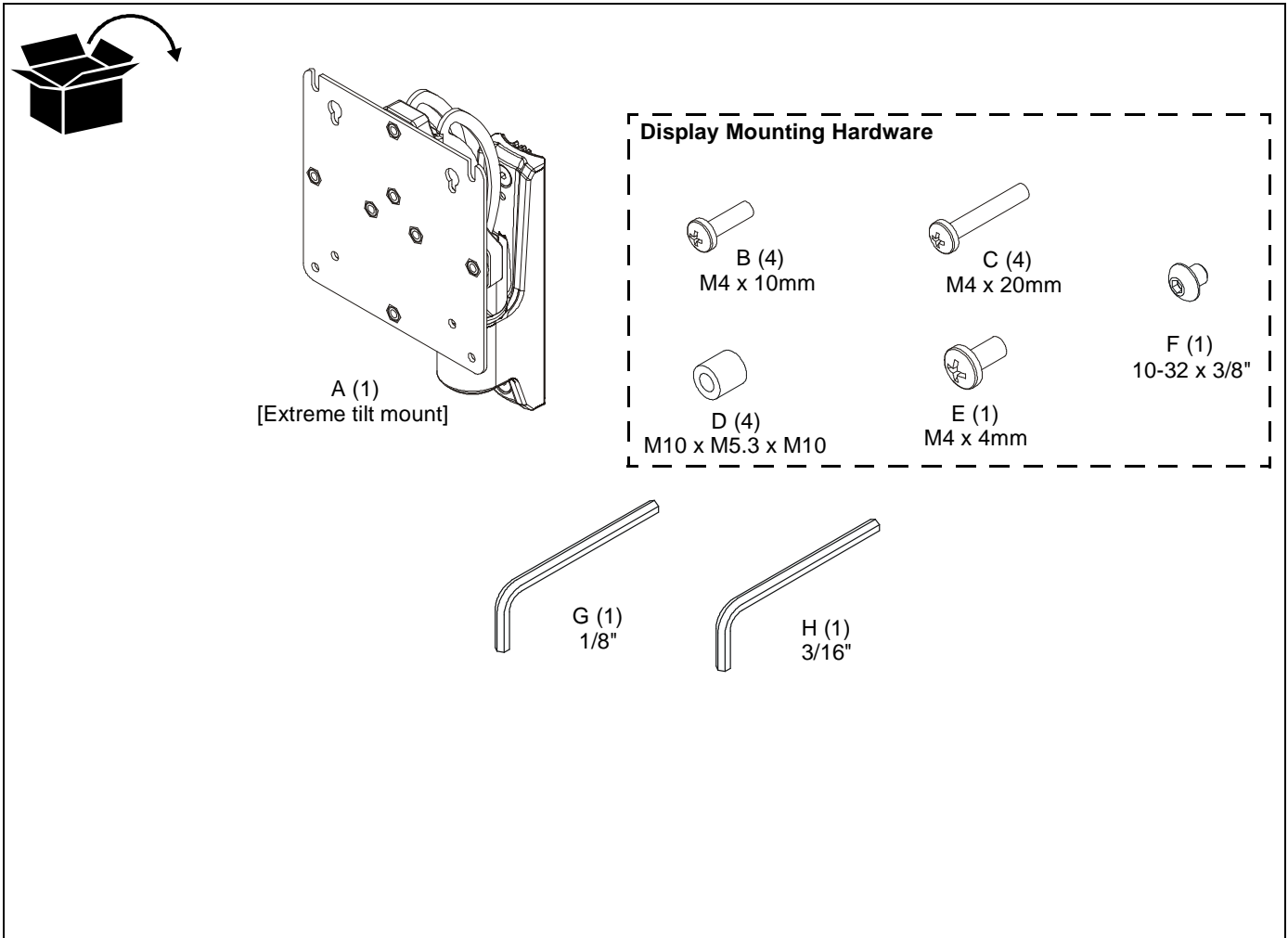
LEGEND

	Tighten Fastener Apretar elemento de fijación Befestigungsteil festziehen Apertar fixador Serrare il fissaggio Bevestiging vastdraaien Serrez les fixations		Pencil Mark Marcar con lápiz Stiftmarkierung Marcar com lápis Segno a matita Potloodmerkteken Marquage au crayon
	Loosen Fastener Aflojar elemento de fijación Befestigungsteil lösen Desapertar fixador Allentare il fissaggio Bevestiging losdraaien Desserrez les fixations		Drill Hole Perforar Bohrloch Fazer furo Praticare un foro Gat boren Percez un trou
	Phillips Screwdriver Destornillador Phillips Kreuzschlitzschraubendreher Chave de fendas Phillips Cacciavite a stella Kruiskopschroevendraaier Tournevis à pointe cruciforme		Adjust Ajustar Einstellen Ajustar Regolare Afstellen Ajuster
	Open-Ended Wrench Llave de boca Gabelschlüssel Chave de bocas Chiave a punte aperte Steeksleutel Clé à fourche		Remove Quitar Entfernen Remover Rimuovere Verwijderen Retirez
	By Hand A mano Von Hand Com a mão A mano Met de hand À la main		Optional Opcional Optional Opcional Opzionale Optie En option
	Hex-Head Wrench Llave de cabeza hexagonal Sechskantschlüssel Chave de cabeça sextavada Chiave esagonale Zeskantsleutel Clé à tête hexagonale		Security Wrench Llave de seguridad Sicherheitsschlüssel Chave de segurança Chiave di sicurezza Veiligheidsleutel Clé de sécurité

TOOLS REQUIRED FOR INSTALLATION



PARTS



ASSEMBLY AND INSTALLATION

1. Remove cap from K1C or K2C column. (See Figure 1)
2. Slide KRA231 accessory (A) onto front of the column. (See Figure 1)
3. Tighten screws to secure accessory to column at desired mounting height. (See Figure 1)
4. Replace cap on top of column. (See Figure 1)

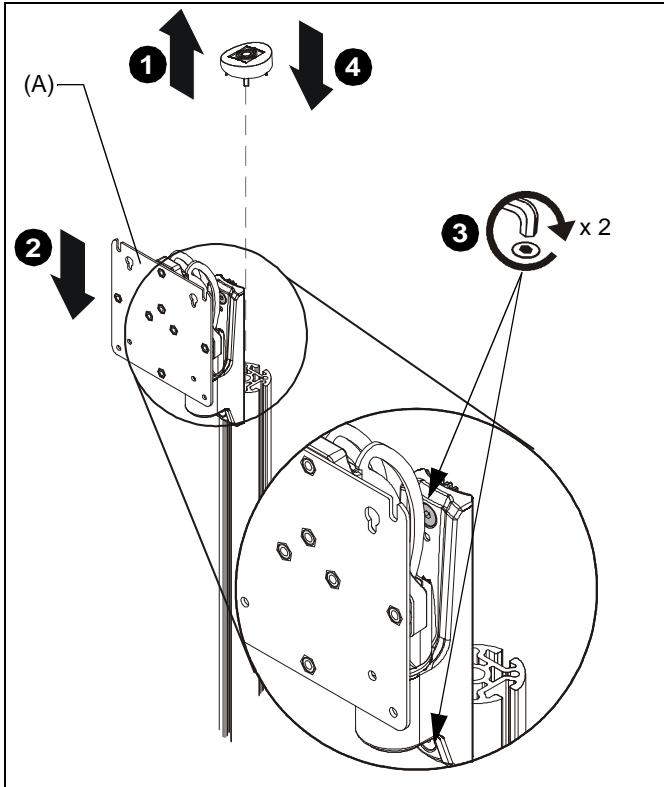


Figure 1

DISPLAY INSTALLATION

1. Remove quick release faceplate from KRA231 by pulling quick release lever and sliding faceplate off. (See Figure 2)

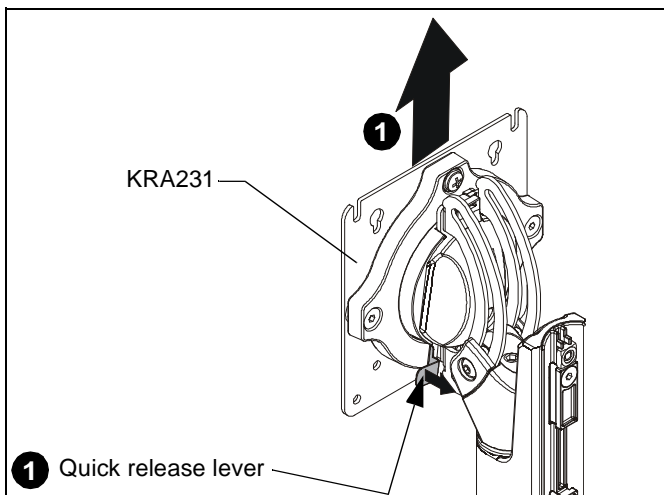


Figure 2

2. Carefully place display face down on protective surface.
3. Connect faceplate to display.

For flush mounting hole installation:

- Using Phillips screwdriver, carefully install four M4x10mm screws (B) through corresponding holes on faceplate and into the mounting holes on the display. (See Figure 3)

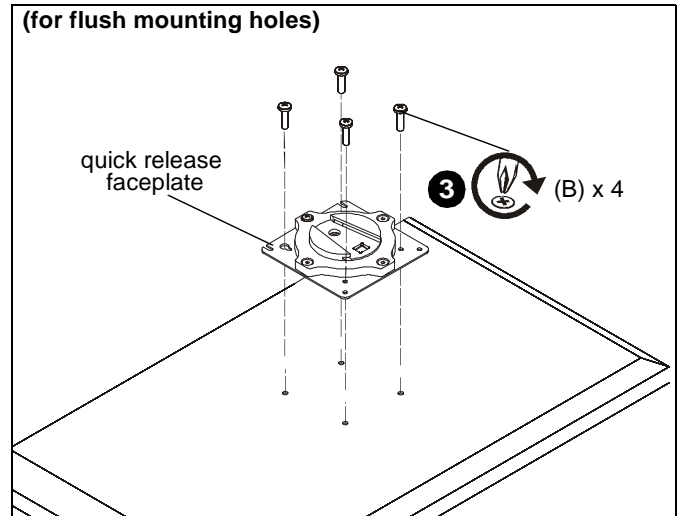


Figure 3

For recessed mounting hole installation:

- Place four spacers (D) on top of mounting holes on back of display. (See Figure 4)
- Using Phillips screwdriver, carefully install four M4x20mm screws (C) through corresponding holes on faceplate, spacers (D) and into the mounting holes on the display. (See Figure 4)

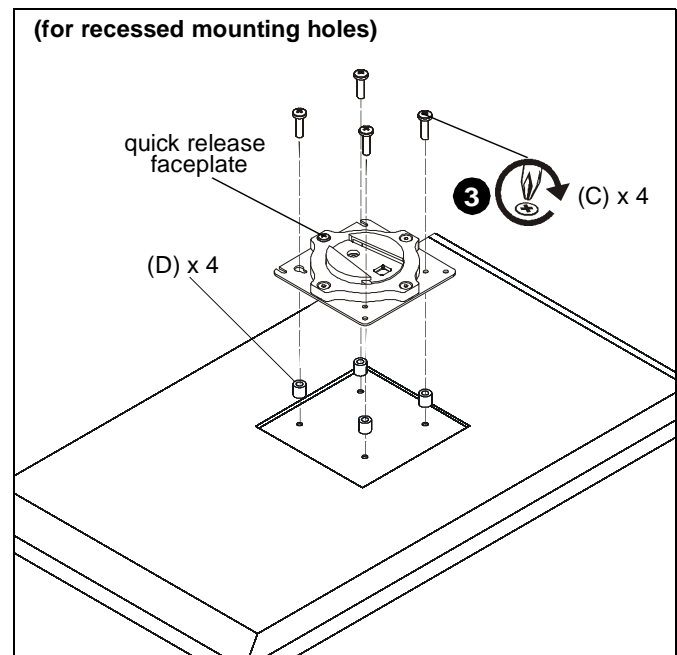


Figure 4

4. Position display with faceplate attached above KRA231. (See Figure 5)
5. Slide faceplate onto KRA231 head until quick release tab clicks into place. (See Figure 5)

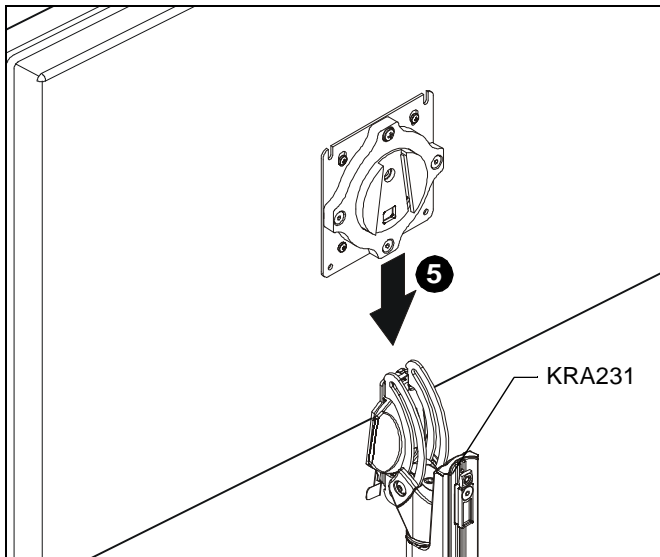


Figure 5

Rotational Adjustment

NOTE: (Optional) Rotational adjustment may be locked by installing rotational locking screw (F) into back of faceplate. (See Figure 6)

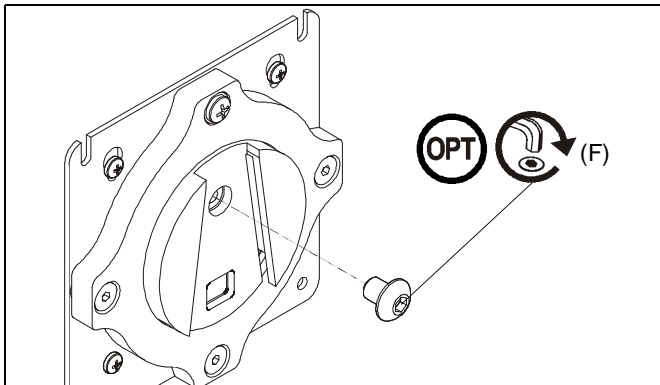


Figure 6

1. The monitor may be adjusted 90 degrees in either direction in order to provide a portrait view of the monitor. (See Figure 6)
2. Use 3/16" hex key (H) to adjust rotational adjustment screw to adjust rotational tension. (See Figure 6)
3. Refer to Adjustments and Cable Management information in the original mount installation instructions for further information.

Display Removal



WARNING: Only remove display from mount when the display can be lifted up from the mount! DO NOT remove display unless the display is in the upright position! (See Figure 7)

1. Make sure display is in the upright position.
2. Remove quick release faceplate from mount by pulling quick release lever and sliding faceplate off mount. (See Figure 7)

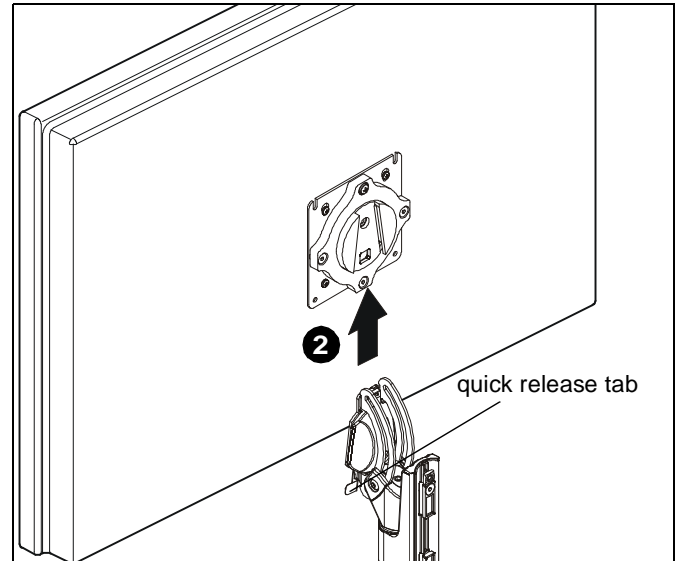


Figure 7

Display Removal Security Screw

NOTE: In order to prevent display from being easily removed from mount using the quick release lever, install M4x4mm security screw (E) into lower hole on back of faceplate. (See Figure 8)

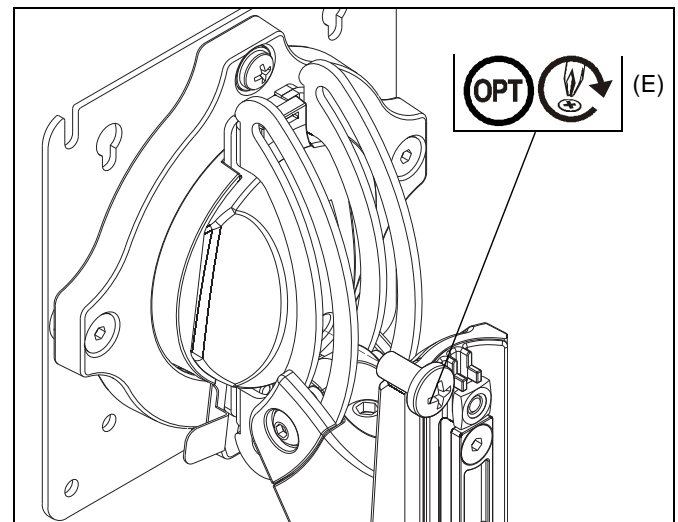


Figure 8



Our Mounts. **Your Vision.**

Chief, a products division of
Milestone AV Technologies

8800-002764 Rev00
©2016 Milestone AV Technologies
www.milestone.com

11/16

USA/International	A 6436 City West Parkway, Eden Prairie, MN 55344
	P 800.582.6480 / 952.225.6000
	F 877.894.6918 / 952.894.6918
Europe	A Franklinstraat 14, 6003 DK Weert, Netherlands
	P +31 (0) 495 580 852
	F +31 (0) 495 580 845
Asia Pacific	A Office No. 918 on 9/F, Shatin Galleria 18-24 Shan Mei Street Fotan, Shatin, Hong Kong
	P 852 2145 4099
	F 852 2145 4477

