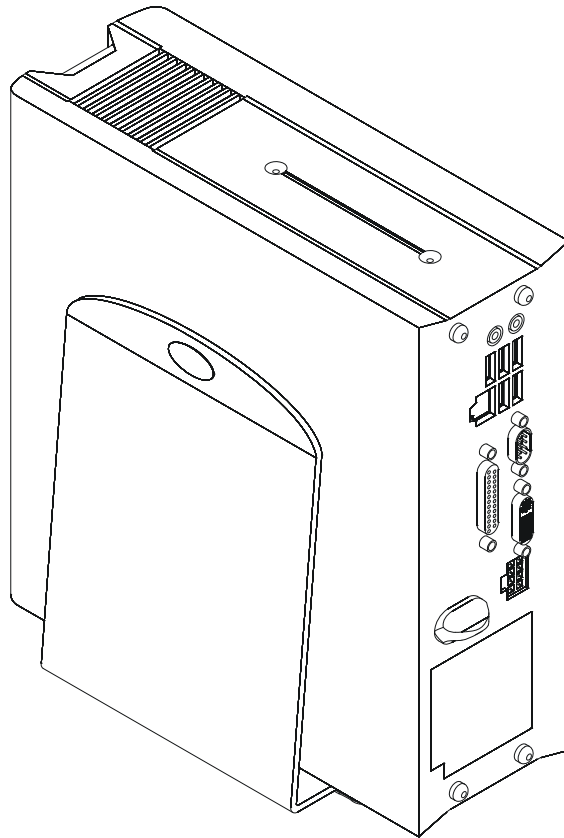

INSTALLATION INSTRUCTIONS



CPU WALL MOUNT

Touchboards


205 Westwood Ave, Long Branch, NJ 07740
Phone: 866-94 BOARDS (26273) / (732)-222-1511
Fax: (732)-222-7088 | E-mail: sales@touchboards.com


DISCLAIMER


Milestone AV Technologies and its affiliated corporations and subsidiaries (collectively "Milestone"), intend to make this manual accurate and complete. However, Milestone makes no claim that the information contained herein covers all details, conditions or variations, nor does it provide for every possible contingency in connection with the installation or use of this product. The information contained in this document is subject to change without notice or obligation of any kind. Milestone makes no representation of warranty, expressed or implied, regarding the information contained herein. Milestone assumes no responsibility for accuracy, completeness or sufficiency of the information contained in this document.


Chief® is a registered trademark of Milestone AV Technologies. All rights reserved.


IMPORTANT WARNINGS AND CAUTIONS!

 **WARNING:** A WARNING alerts you to the possibility of serious injury or death if you do not follow the instructions.

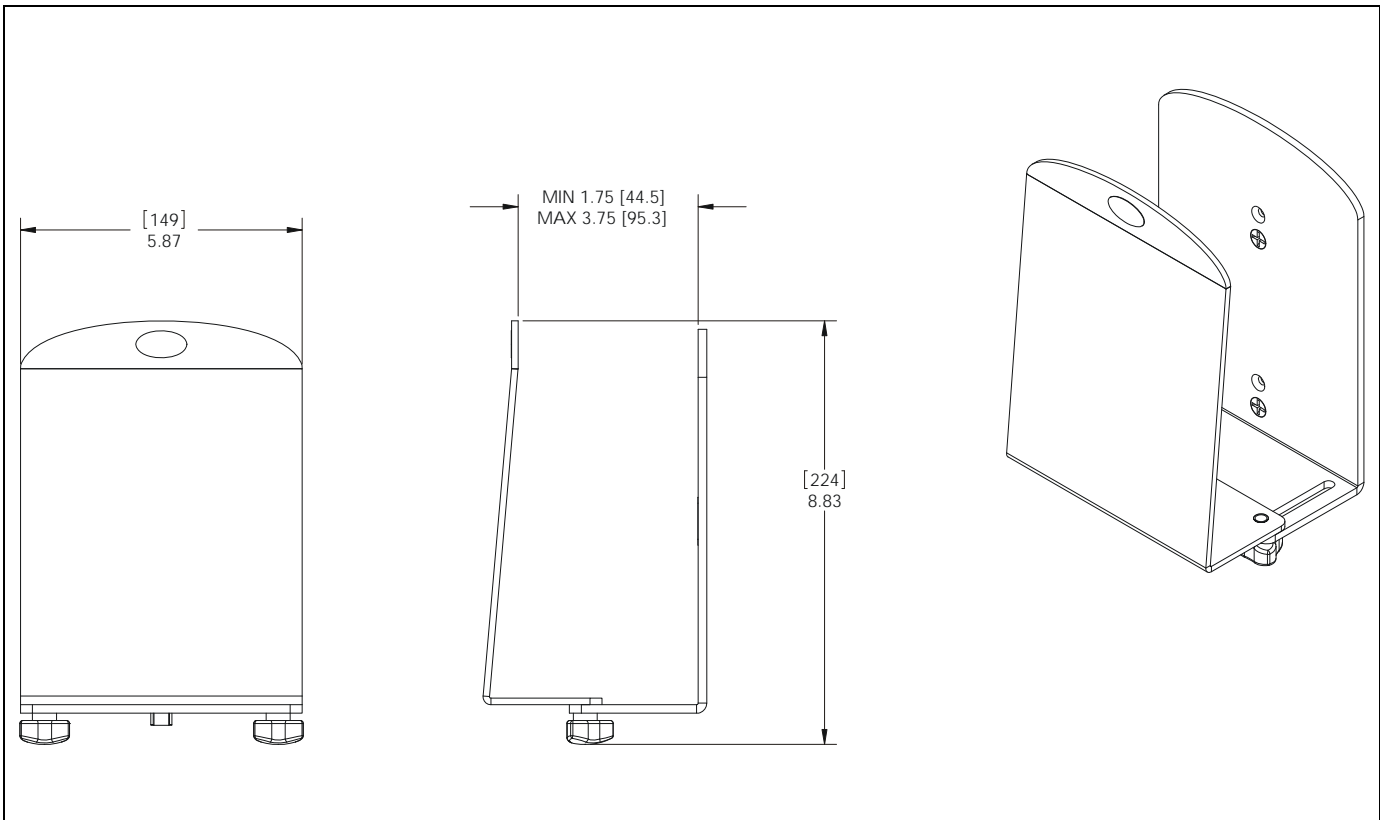
 **CAUTION:** A CAUTION alerts you to the possibility of damage or destruction of equipment if you do not follow the corresponding instructions.

 **WARNING:** Failure to read, thoroughly understand, and follow all instructions can result in serious personal injury, damage to equipment, or voiding of factory warranty! It is the installer's responsibility to make sure all components are properly assembled and installed using the instructions provided.

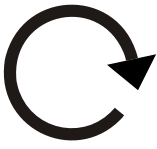

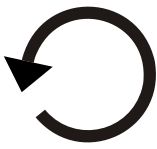









 **WARNING:** Failure to provide adequate structural strength for this component can result in serious personal injury or damage to equipment! It is the installer's responsibility to make sure the structure to which this component is attached can support five times the combined weight of all equipment. Reinforce the structure as required before installing the component.

 **WARNING:** Exceeding the weight capacity can result in serious personal injury or damage to equipment! It is the installer's responsibility to make sure the combined weight of all components located between the KSA-1023 up to (and including) the display/projector does not exceed 50 lbs (22.7 kg).

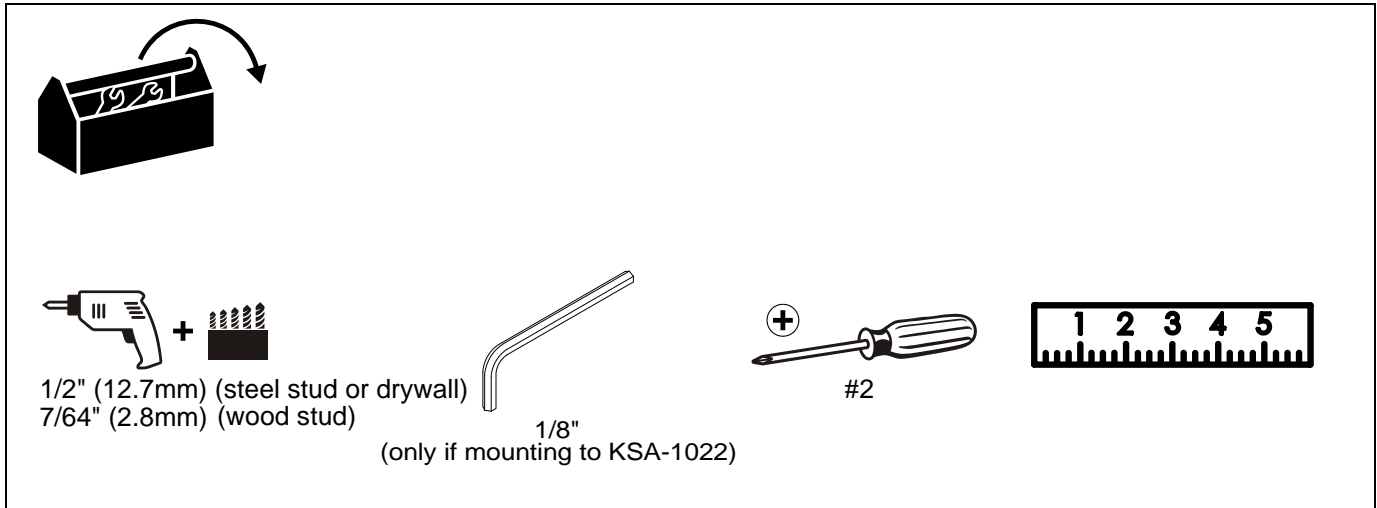
DIMENSIONS



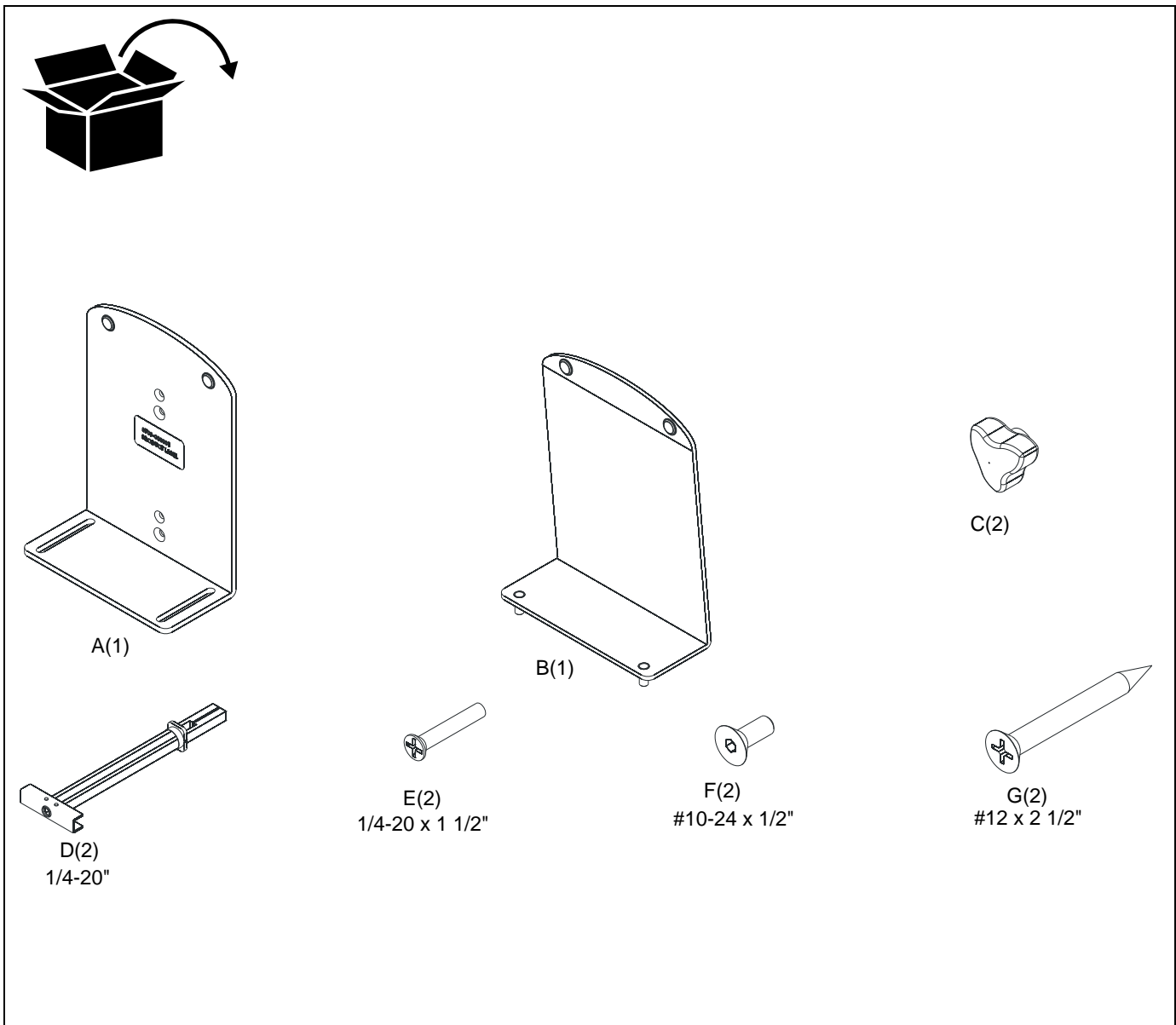
LEGEND

	<p>Tighten Fastener</p> <p>Apretar elemento de fijación</p> <p>Befestigungsteil festziehen</p> <p>Apertar fixador</p> <p>Serrare il fissaggio</p> <p>Bevestiging vastdraaien</p> <p>Serrez les fixations</p>		<p>Pencil Mark</p> <p>Marcar con lápiz</p> <p>Stiftmarkierung</p> <p>Marcar com lápis</p> <p>Segno a matita</p> <p>Potloodmerkten</p> <p>Marquage au crayon</p>
	<p>Loosen Fastener</p> <p>Afajar elemento de fijación</p> <p>Befestigungsteil lösen</p> <p>Desapertar fixador</p> <p>Allentare il fissaggio</p> <p>Bevestiging losdraaien</p> <p>Desserrez les fixations</p>		<p>Drill Hole</p> <p>Perforar</p> <p>Bohrloch</p> <p>Fazer furo</p> <p>Praticare un foro</p> <p>Gat boren</p> <p>Percez un trou</p>
	<p>Phillips Screwdriver</p> <p>Destornillador Phillips</p> <p>Kreuzschlitzschraubendreher</p> <p>Chave de fendas Phillips</p> <p>Cacciavite a stella</p> <p>Kruiskopschroevendraaier</p> <p>Tournevis à pointe cruciforme</p>		<p>Adjust</p> <p>Ajustar</p> <p>Einstellen</p> <p>Ajustar</p> <p>Regolare</p> <p>Afstellen</p> <p>Ajuster</p>
	<p>Open-Ended Wrench</p> <p>Llave de boca</p> <p>Gabelschlüssel</p> <p>Chave de bocas</p> <p>Chiave a punte aperte</p> <p>Steeksleutel</p> <p>Clé à fourche</p>		<p>Remove</p> <p>Quitar</p> <p>Entfernen</p> <p>Remover</p> <p>Rimuovere</p> <p>Verwijderen</p> <p>Retirez</p>
	<p>By Hand</p> <p>A mano</p> <p>Von Hand</p> <p>Com a mão</p> <p>A mano</p> <p>Met de hand</p> <p>À la main</p>		<p>Optional</p> <p>Opcional</p> <p>Optional</p> <p>Opcional</p> <p>Opzionale</p> <p>Optie</p> <p>En option</p>
	<p>Hex-Head Wrench</p> <p>Llave de cabeza hexagonal</p> <p>Sechskantschlüssel</p> <p>Chave de cabeça sextavada</p> <p>Chiave esagonale</p> <p>Zeskantsleutel</p> <p>Clé à tête hexagonale</p>		<p>Security Wrench</p> <p>Llave de seguridad</p> <p>Sicherheitsschlüssel</p> <p>Chave de segurança</p> <p>Chiave di sicurezza</p> <p>Veiligheidsleutel</p> <p>Clé de sécurité</p>

TOOLS REQUIRED FOR INSTALLATION



PARTS



Site Requirements for Using Steel Studs



WARNING: IMPROPER INSTALLATION CAN LEAD TO EQUIPMENT FALLING CAUSING SERIOUS PERSONAL INJURY OR DAMAGE TO EQUIPMENT! The figure below identifies the minimum requirements for installation of display mounts onto a steel stud structure. If the structure or its components do not meet these requirements contact the mount manufacturer for specific instructions before attempting installation. It should also be noted that no other equipment should be mounted to the same stud.

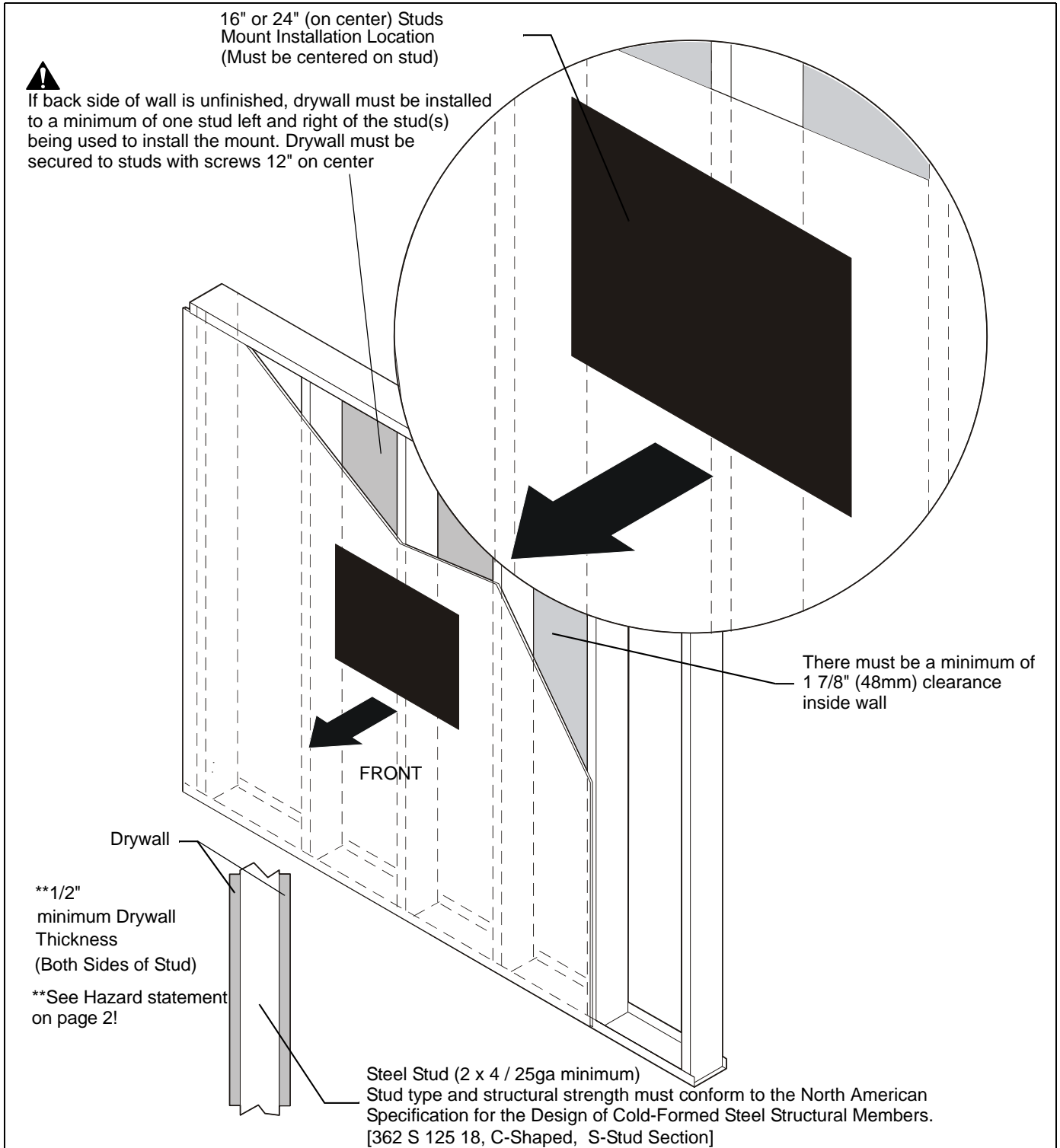


Figure 1

Assembly And Installation

Attach to Wall Using Steel Studs or Drywall

After determining the site meets the installation requirements:

1. Identify desired mounting location on wall.
2. Using a stud finder or similar method locate stud.
3. Align mounting holes in CPU wall plate (A) with stud making sure mounting holes are centered on stud. (See Figure 2)



WARNING: IMPROPER INSTALLATION CAN LEAD TO EQUIPMENT FALLING CAUSING SERIOUS PERSONAL INJURY OR DAMAGE TO EQUIPMENT!

4. Mark location of two mounting holes on wall using the wall plate as a template. Mark holes where the top and bottom holes of the bracket will be connected. (See Figure 2)
5. Drill two 1/2" holes. (See Figure 2)

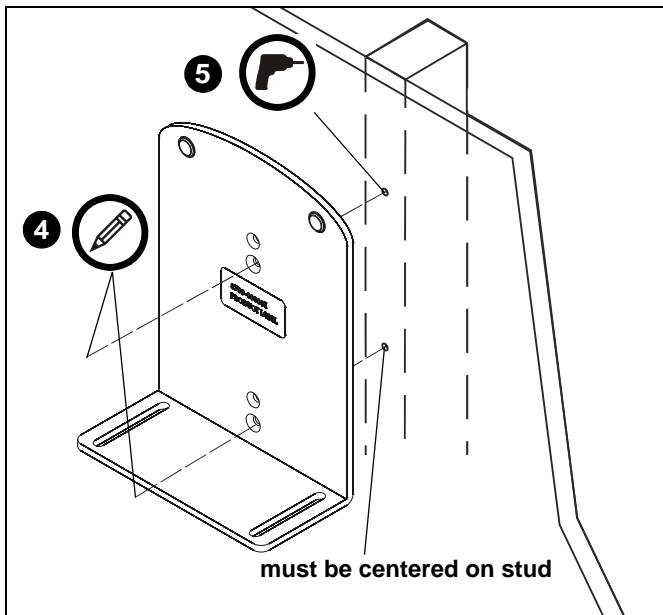


Figure 2

6. Hold metal channel on anchor (D) flat alongside plastic straps and slide channel through hole. (See Figure 3)

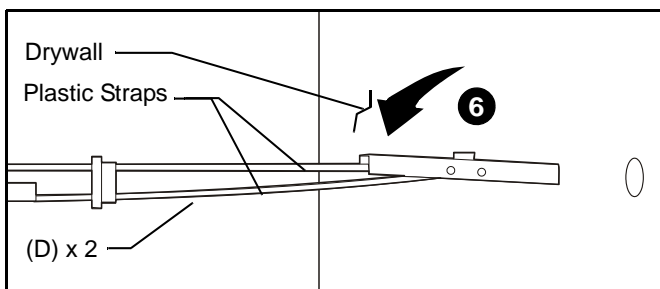


Figure 3

7. Holding plastic straps on anchor (D), pull anchor away from wall until channel rests flush behind wall making sure anchor channel is positioned vertically on stud. (See Figure 4)

8. Slide plastic cap on anchor (D) towards wall until flange of cap is flush with wall. (See Figure 4)

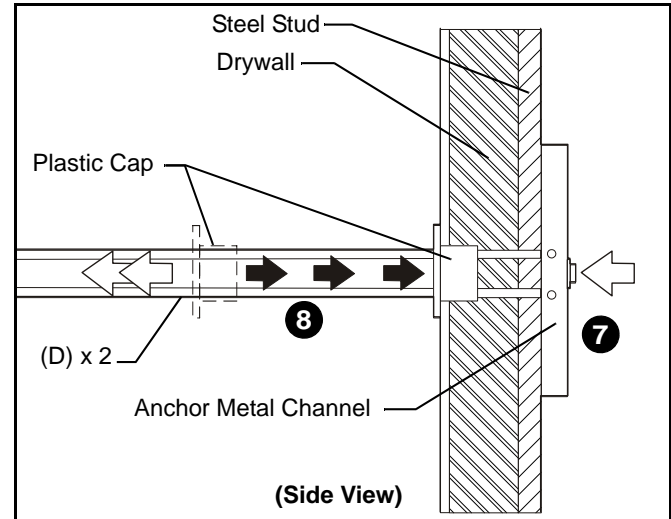


Figure 4

9. Snap off plastic straps on anchor at wall by pushing side to side, snapping off straps level with flange of plastic cap. (See Figure 5)
10. Repeat steps 6 through 9 for remaining mounting hole.

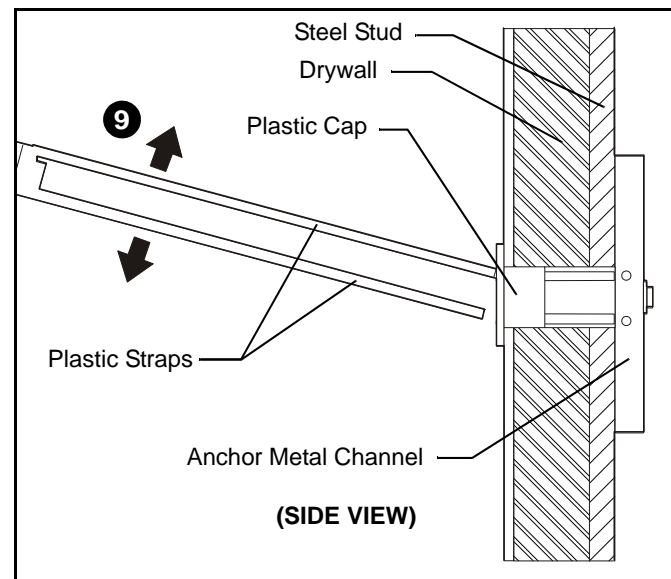


Figure 5

11. Place CPU mounting plate (A) over anchors and align mounting holes in display mount with holes in anchors. (See Figure 6)
12. Insert 1/4-20 x 1-1/2" Phillips flat machine screw (E) into mounting hole on CPU mounting plate (A) and into anchor (D) and tighten until flush against mounting plate. DO NOT overtighten! (See Figure 6)
13. Repeat steps 11 through 13 for remaining mounting hole.

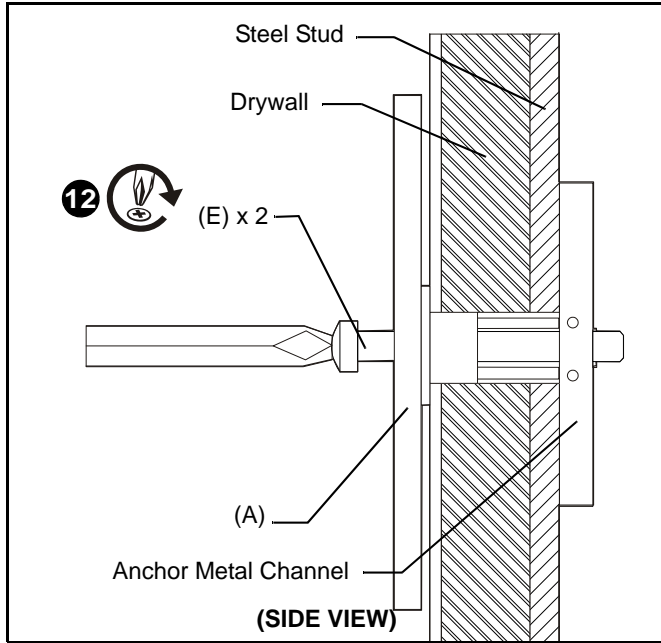


Figure 6

Attach to Wall Using Wood Studs

1. Determine location for mount keeping in mind CPU size and safety requirements.
2. Using the CPU wall mount plate (A) as a template, mark and then drill two 7/64" diameter pilot holes through the lower holes of CPU wall mount plate into wall structure. (See Figure 7)
3. Install two #12 x 2 1/2" Phillips flat wood screws (G) through CPU Wall Mount Plate and into holes. (See Figure 7)

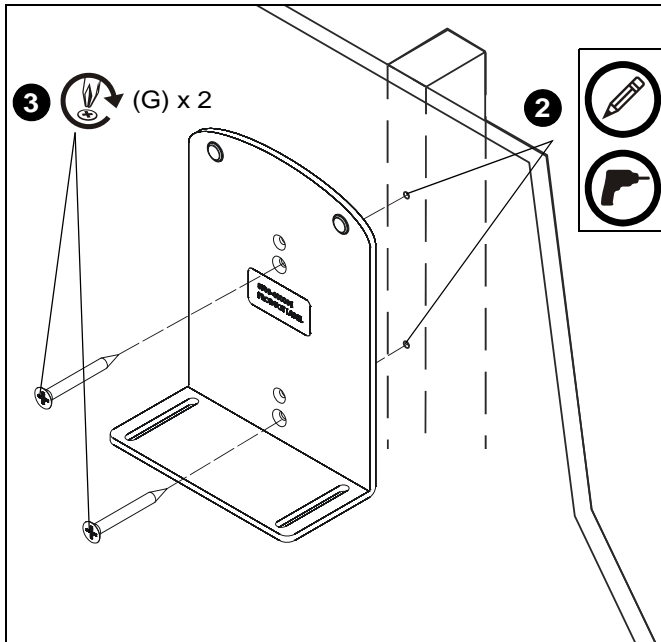


Figure 7

Attach to Wall Track Accessory

NOTE: The KSA-1023 CPU Wall Mount can be mounted on the KSA-1022 Wall Track Accessory. Refer to KSA-1022 installation manual for specific weight limits for the accessory.

1. Attach wall track accessory to wall according to wall track accessory installation manual.
2. Install two #10-24 x 1/2" flat head cap screw (F) through upper holes on CPU wall mount plate (A) into holes on wall track accessory brackets. (See Figures 8 and 9)

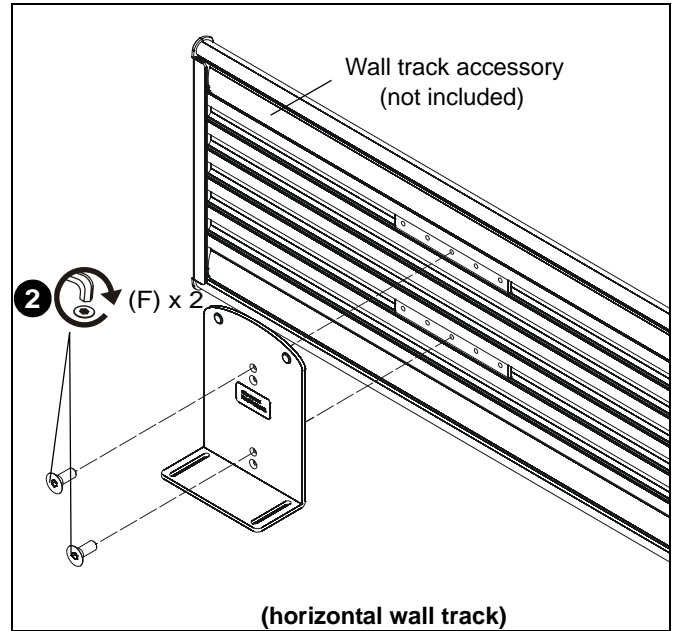


Figure 8

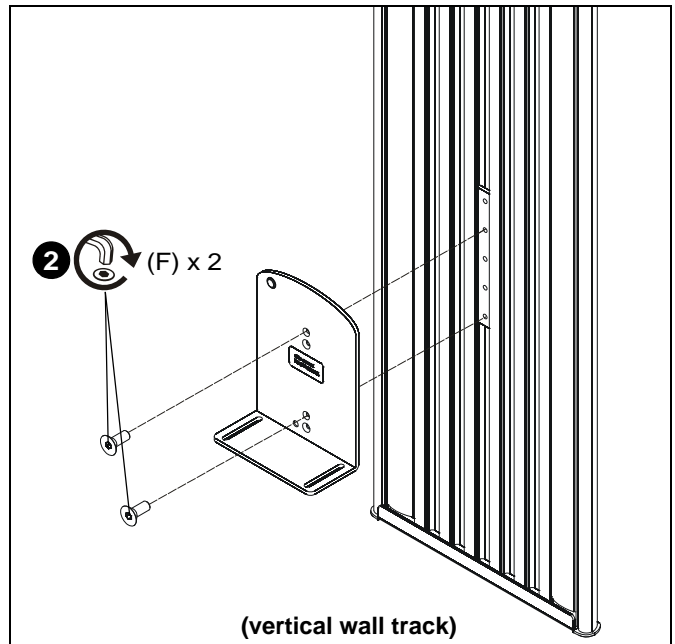


Figure 9

CPU Installation

1. Set CPU Support Bracket (B) on top of CPU Wall Mount Plate (A). (See Figure 10)
2. Use knobs (C) to secure CPU Support Bracket (B) to CPU Wall Mount Plate (A). (See Figure 10)

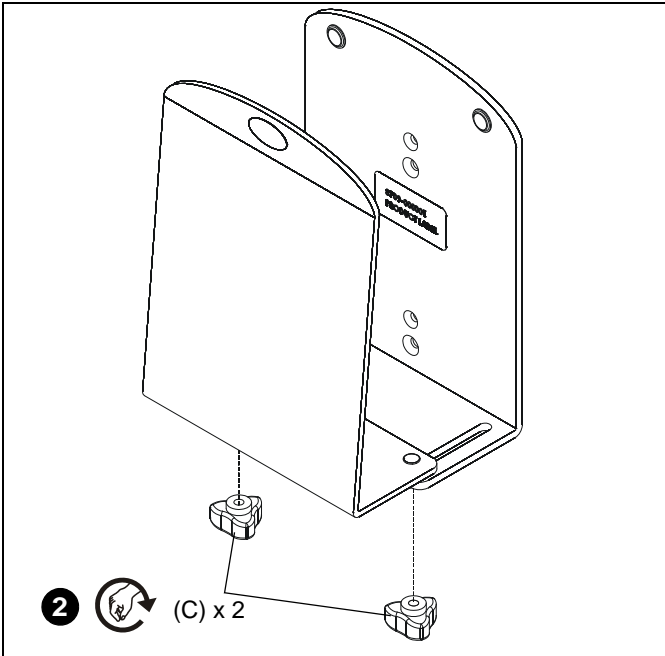


Figure 10

WARNING: Exceeding the weight capacity can result in serious personal injury or damage to equipment! It is the installer's responsibility to make sure the combined weight of all components located between the KSA-1023 up to (and including) the display/projector does not exceed 50 lbs (22.7 kg).

3. Insert CPU into CPU Wall Mount. (See Figure 11)

NOTE: Center CPU on the mount to ensure weight of CPU is evenly distributed.

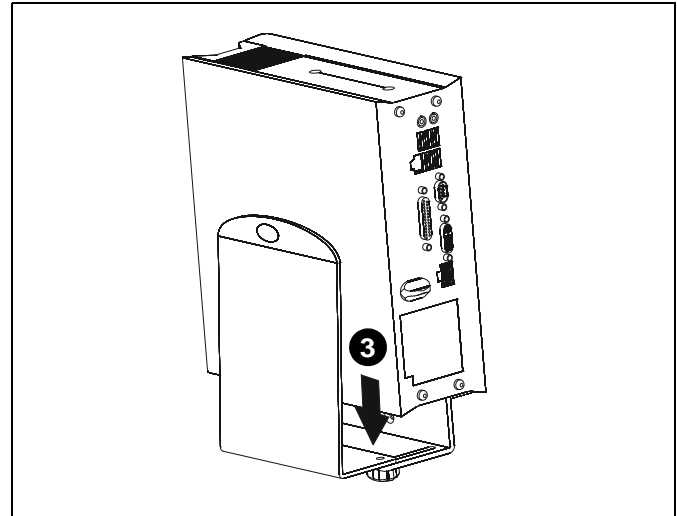


Figure 11

4. Loosen knobs (C) below CPU Wall Mount in order to allow adjustment.
5. Collapse the mount until it fits tightly around CPU. (See Figure 12)

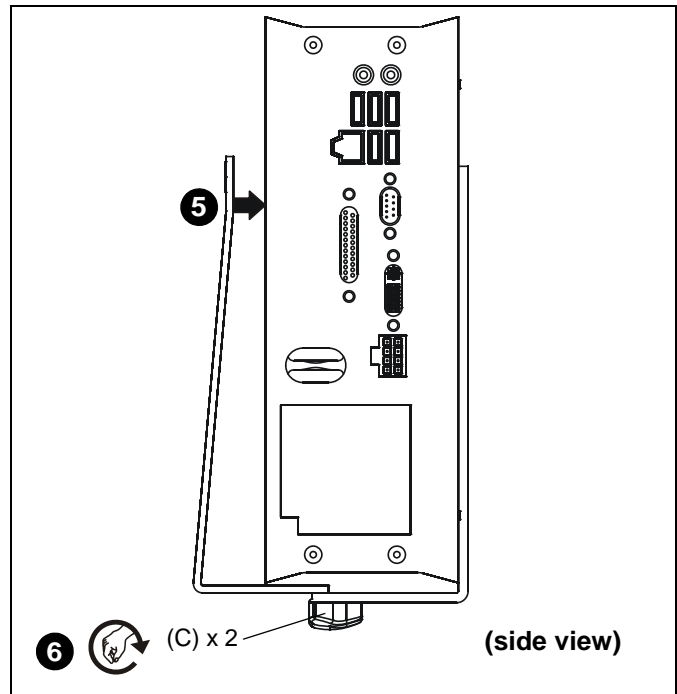


Figure 12

6. Tighten knobs (C) below CPU Wall Mount to secure plate in position. (See Figure 12)



Our Mounts. **Your Vision.**

Chief Manufacturing, a products division
of Milestone AV Technologies

8834-000010

©2008 Milestone AV Technologies, a
Duchossois Group Company

www.chiefmfg.com

12/08

USA/International

A 8401 Eagle Creek Parkway, Savage, MN 55378

P 800.582.6480 / 952.894.6280

F 877.894.6918 / 952.894.6918

Europe

A Fellenoord 130 5611 ZB EINDHOVEN, The Netherlands

P +31 (0)40 2668620

F +31 (0)40 2668615

Asia Pacific

A Room 24F, Block D, Lily YinDu International Building

LuoGang, BuJi Town, Shenzhen, CHINA.

深圳市布吉罗岗村百合银都国际大厦D栋24F

P +86-755-8996 9226

F +86-755-8996 9217

