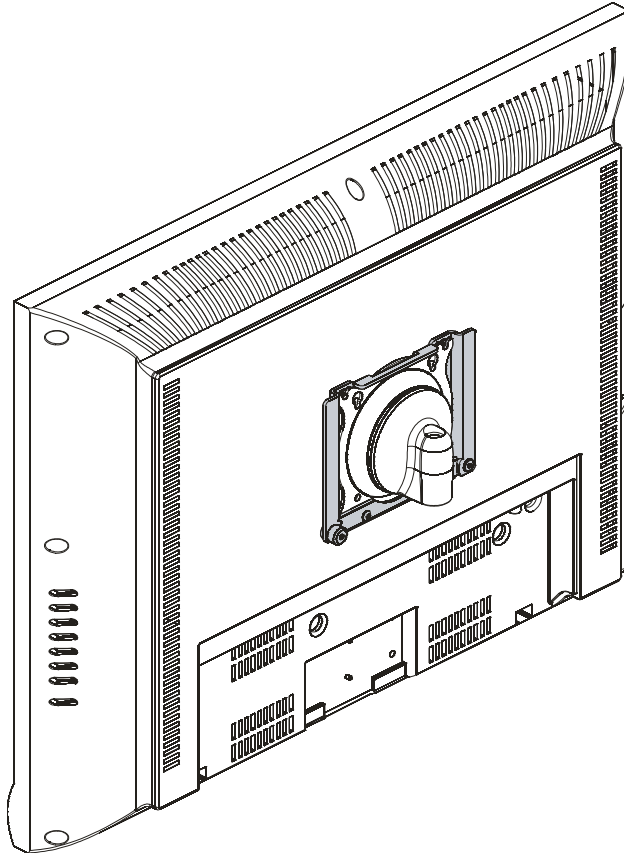


---

# INSTALLATION INSTRUCTIONS

---



---

## Quick Connect/Disconnect Bracket

---

**Touchboards**

205 Westwood Ave, Long Branch, NJ 07740  
Phone: 866-94 BOARDS (26273) / (732)-222-1511  
Fax: (732)-222-7088 | E-mail: [sales@touchboards.com](mailto:sales@touchboards.com)

### DISCLAIMER

Milestone AV Technologies and its affiliated corporations and subsidiaries (collectively, "Milestone"), intend to make this manual accurate and complete. However, Milestone makes no claim that the information contained herein covers all details, conditions or variations, nor does it provide for every possible contingency in connection with the installation or use of this product. The information contained in this document is subject to change without notice or obligation of any kind. Milestone makes no representation of warranty, expressed or implied, regarding the information contained herein. Milestone assumes no responsibility for accuracy, completeness or sufficiency of the information contained in this document.

Chief® and Centris™ are registered trademarks of Milestone AV Technologies. All rights reserved.

### IMPORTANT WARNINGS AND CAUTIONS!

**WARNING:** A WARNING alerts you to the possibility of serious injury or death if you do not follow the instructions.

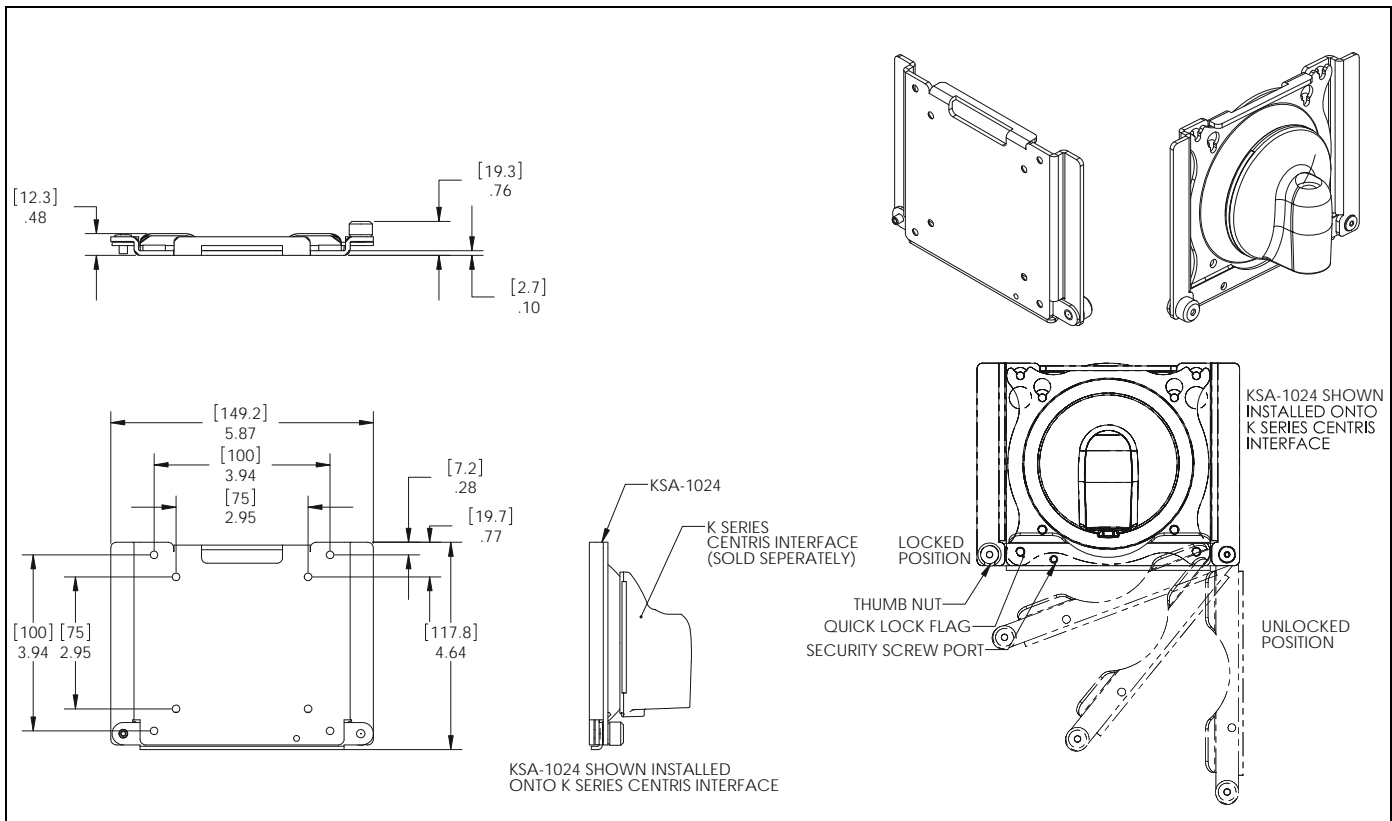
**CAUTION:** A CAUTION alerts you to the possibility of damage or destruction of equipment if you do not follow the corresponding instructions.

**WARNING:** Failure to read, thoroughly understand, and follow all instructions can result in serious personal injury, damage to equipment, or voiding of factory warranty! It is the installer's responsibility to make sure all components are properly assembled and installed using the instructions provided.

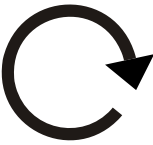

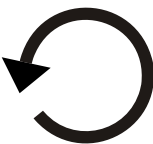









**WARNING:** Failure to provide adequate structural strength for this component can result in serious personal injury or damage to equipment! It is the installer's responsibility to make sure the structure to which this component is attached can support five times the combined weight of all equipment. Reinforce the structure as required before installing the component.

**WARNING:** Exceeding the weight capacity can result in serious personal injury or damage to equipment! It is the installer's responsibility to make sure the combined weight of all components attached to this accessory does not exceed 40 lbs (18.14 kg). DO NOT exceed the weight limitations of the mount being installed to the bracket or of the office furniture being used to mount the accessory.

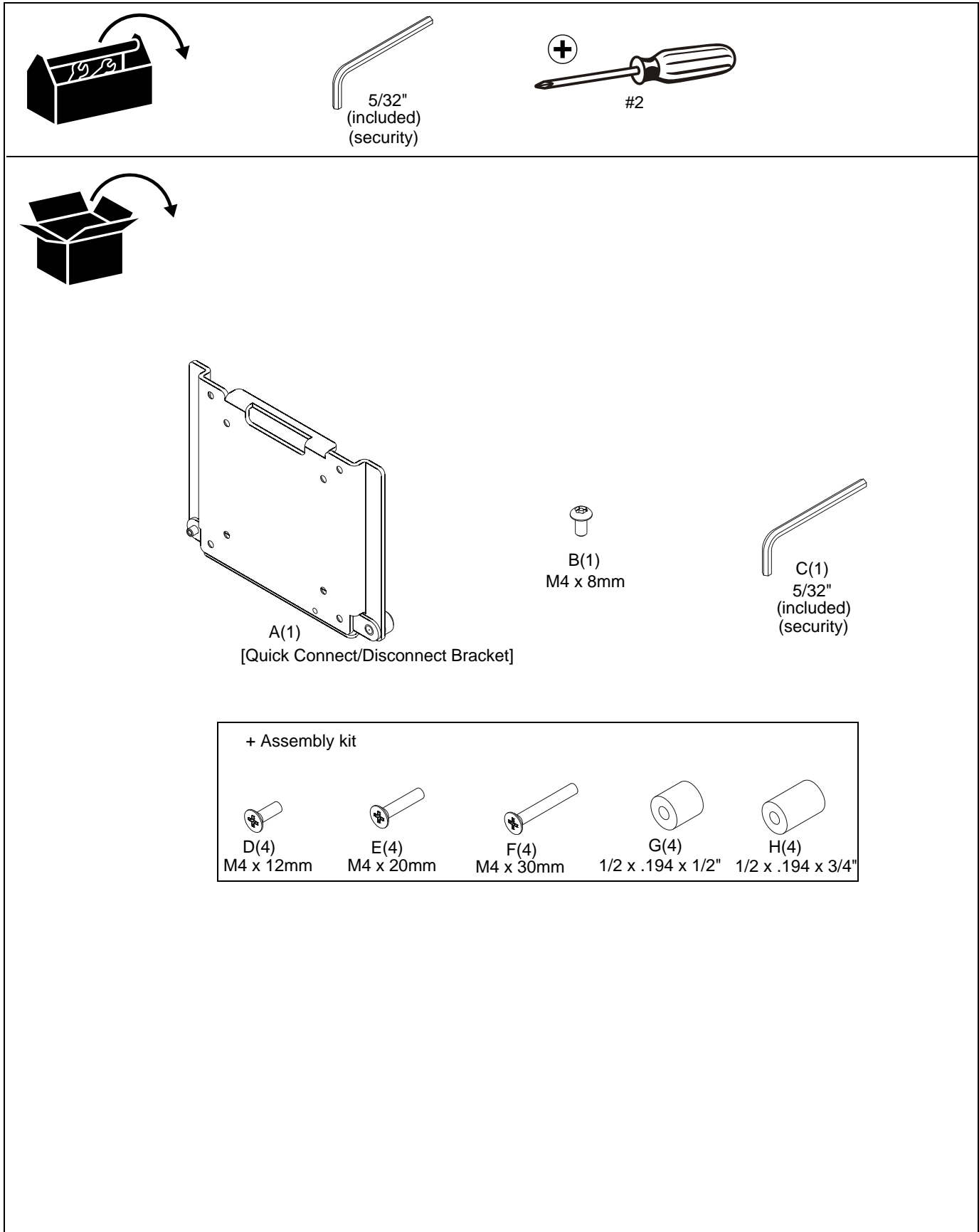
### DIMENSIONS



**LEGEND**

	<p><b>Tighten Fastener</b></p> <p>Apretar elemento de fijación</p> <p>Befestigungsteil festziehen</p> <p>Apertar fixador</p> <p>Serrare il fissaggio</p> <p>Bevestiging vastdraaien</p> <p>Serrez les fixations</p>		<p><b>Pencil Mark</b></p> <p>Marcar con lápiz</p> <p>Stiftmarkierung</p> <p>Marcar com lápis</p> <p>Segno a matita</p> <p>Potloodmerkteken</p> <p>Marquage au crayon</p>
	<p><b>Loosen Fastener</b></p> <p>Aflojar elemento de fijación</p> <p>Befestigungsteil lösen</p> <p>Desapertar fixador</p> <p>Allentare il fissaggio</p> <p>Bevestiging losdraaien</p> <p>Desserrez les fixations</p>		<p><b>Drill Hole</b></p> <p>Perforar</p> <p>Bohrloch</p> <p>Fazer furo</p> <p>Praticare un foro</p> <p>Gat boren</p> <p>Percez un trou</p>
	<p><b>Phillips Screwdriver</b></p> <p>Destornillador Phillips</p> <p>Kreuzschlitzschraubendreher</p> <p>Chave de fendas Phillips</p> <p>Cacciavite a stella</p> <p>Kruiskopschroevendraaier</p> <p>Tournevis à pointe cruciforme</p>		<p><b>Adjust</b></p> <p>Ajustar</p> <p>Einstellen</p> <p>Ajustar</p> <p>Regolare</p> <p>Afstellen</p> <p>Ajuster</p>
	<p><b>Open-Ended Wrench</b></p> <p>Llave de boca</p> <p>Gabelschlüssel</p> <p>Chave de bocas</p> <p>Chiave a punte aperte</p> <p>Steeksleutel</p> <p>Clé à fourche</p>		<p><b>Remove</b></p> <p>Quitar</p> <p>Entfernen</p> <p>Remover</p> <p>Rimuovere</p> <p>Verwijderen</p> <p>Retirez</p>
	<p><b>By Hand</b></p> <p>A mano</p> <p>Von Hand</p> <p>Com a mão</p> <p>A mano</p> <p>Met de hand</p> <p>À la main</p>		<p><b>Optional</b></p> <p>Opcional</p> <p>Optional</p> <p>Opcional</p> <p>Opzionale</p> <p>Optie</p> <p>En option</p>
	<p><b>Hex-Head Wrench</b></p> <p>Llave de cabeza hexagonal</p> <p>Sechskantschlüssel</p> <p>Chave de cabeça sextavada</p> <p>Chiave esagonale</p> <p>Zeskantsleutel</p> <p>Clé à tête hexagonale</p>		<p><b>Security Wrench</b></p> <p>Llave de seguridad</p> <p>Sicherheitsschlüssel</p> <p>Chave de segurança</p> <p>Chiave di sicurezza</p> <p>Veiligheidssleutel</p> <p>Clé de sécurité</p>

### TOOLS REQUIRED FOR INSTALLATION AND PARTS



The diagram shows the tools and parts required for installation, organized into two sections. The top section shows a toolbox icon, a 5/32" security Allen key, and a #2 Phillips screwdriver. The bottom section shows an open box icon, a Quick Connect/Disconnect Bracket (A(1)), an M4 x 8mm screw (B(1)), and another 5/32" security Allen key (C(1)). A separate box labeled '+ Assembly kit' contains five items: four screws (D(4) M4 x 12mm, E(4) M4 x 20mm, F(4) M4 x 30mm) and two spacers (G(4) 1/2 x .194 x 1/2", H(4) 1/2 x .194 x 3/4").

5/32"  
(included)  
(security)

#2

A(1)  
[Quick Connect/Disconnect Bracket]

B(1)  
M4 x 8mm

C(1)  
5/32"  
(included)  
(security)

+ Assembly kit

D(4)  
M4 x 12mm

E(4)  
M4 x 20mm

F(4)  
M4 x 30mm

G(4)  
1/2 x .194 x 1/2"

H(4)  
1/2 x .194 x 3/4"

## Assembly And Installation

### Attach Quick Connect/Disconnect Bracket to Display

1. Lay display face side down on a level, non-abrasive surface. Lay down a cloth if necessary to avoid scratching the screen.
2. For non-recessed mounting holes, install four M4 x 12mm Phillips flathead machine screws (D) through corresponding bracket holes and into holes on back of display. (See Figure 1)

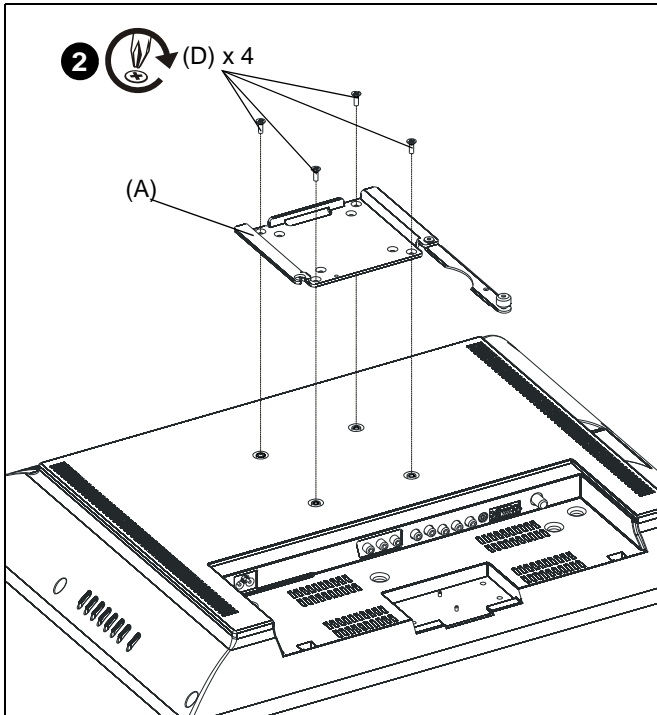


Figure 1

3. For recessed mounting holes, install either four M4 x 20mm or four M4 x 30mm Phillips flathead machine screws (E or F) through corresponding bracket holes and four spacers (G or H) and into holes on back of display. (See Figure 2)

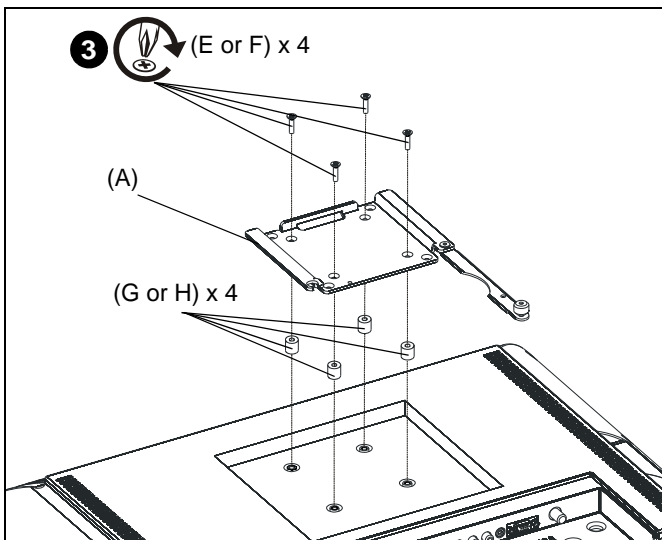


Figure 2

### Attach Bracket to Centris Plate

1. Make sure quick connect/disconnect bracket flag is in the open position. (See Figure 3)
2. Place quick connect/disconnect bracket over Centris plate making sure upper lip of bracket covers top of Centris plate. (See Figure 3)



**WARNING:** Exceeding the weight capacity can result in serious personal injury or damage to equipment! It is the installer's responsibility to make sure the combined weight of all components attached to this accessory does not exceed 40 lbs (18.14 kg). DO NOT exceed the weight limitations of the mount being installed to the bracket or of the office furniture being used to mount the accessory.

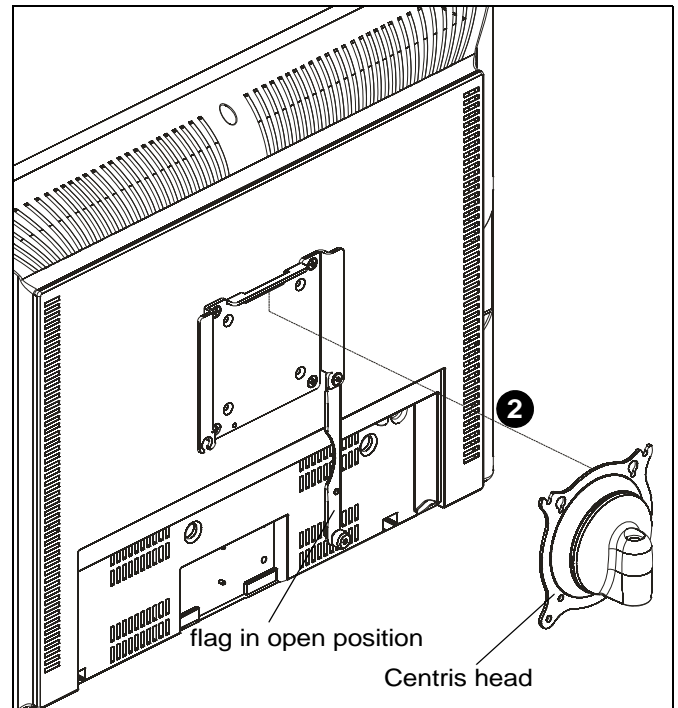


Figure 3

3. Move bracket flag to closed position. (See Figure 4)

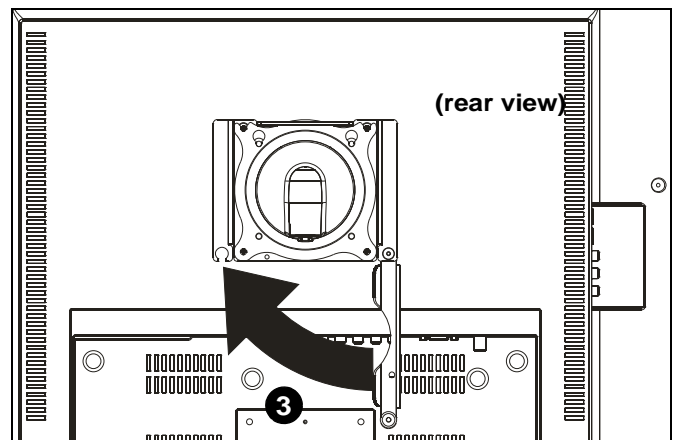


Figure 4

4. Tighten thumbnut on bracket flag to secure bracket to Centris plate. (See Figure 5)

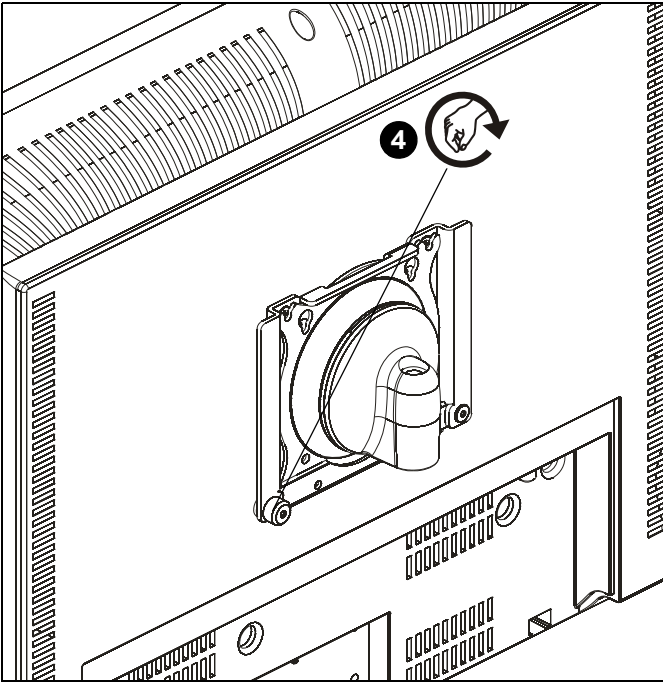


Figure 5

### Optional Security Screw Installation

1. Use enclosed 5/32" security hex key (C) to install M4 x 8mm button head security screw (B) into security hole on bracket. (See Figure 6)

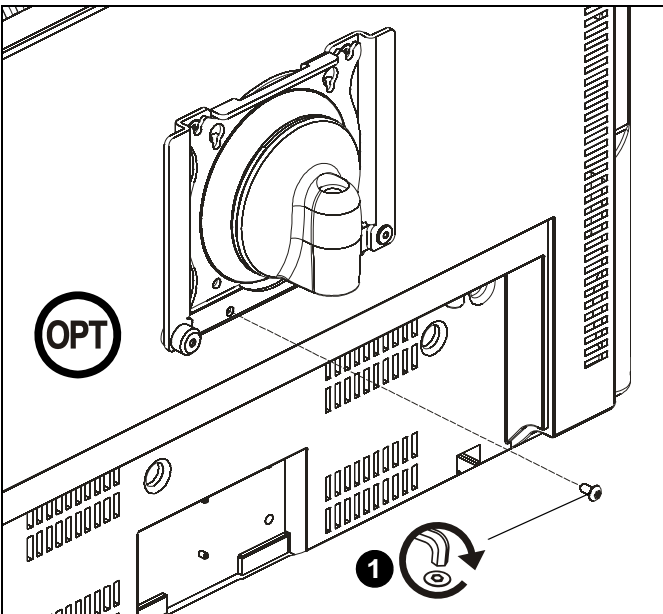


Figure 6





Our Mounts. **Your Vision.**

Chief Manufacturing, a products division  
of Milestone AV Technologies

8800-002008 REV 00  
©2009 Milestone AV Technologies, a  
Duchossios Group Company  
[www.chiefmfg.com](http://www.chiefmfg.com)  
03/09

<b>USA/International</b>	<b>A</b> 8401 Eagle Creek Parkway, Savage, MN 55378 <b>P</b> 800.582.6480 / 952.894.6280 <b>F</b> 877.894.6918 / 952.894.6918
<b>Europe</b>	<b>A</b> Fellenoord 130 5611 ZB EINDHOVEN, The Netherlands <b>P</b> +31 (0)40 2668620 <b>F</b> +31 (0)40 2668615
<b>Asia Pacific</b>	<b>A</b> Room 24F, Block D, Lily YinDu International Building LuoGang, BuJi Town, Shenzhen, CHINA. 深圳市布吉罗岗村百合银都国际大厦D栋24F <b>P</b> +86-755-8996 9226 <b>F</b> +86-755-8996 9217

