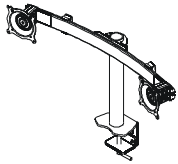
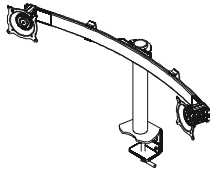

INSTALLATION INSTRUCTIONS



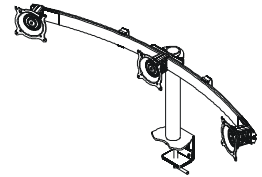
KTC-220



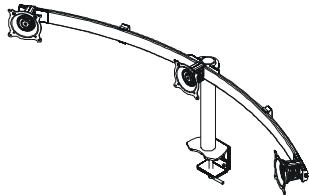
KTC-225



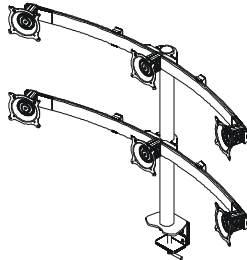
KTC-230



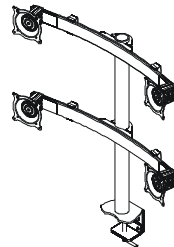
KTC-320



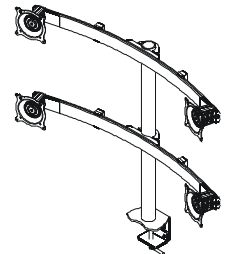
KTC-325



KTC-330



KTC-440



KTC-445

Horizontal and Vertical Desk Clamp Stands

Touchboards


205 Westwood Ave, Long Branch, NJ 07740
Phone: 866-94 BOARDS (26273) / (732)-222-1511
Fax: (732)-222-7088 | E-mail: sales@touchboards.com


DISCLAIMER


Milestone AV Technologies and its affiliated corporations and subsidiaries (collectively "Milestone"), intend to make this manual accurate and complete. However, Milestone makes no claim that the information contained herein covers all details, conditions or variations, nor does it provide for every possible contingency in connection with the installation or use of this product. The information contained in this document is subject to change without notice or obligation of any kind. Milestone makes no representation of warranty, expressed or implied, regarding the information contained herein. Milestone assumes no responsibility for accuracy, completeness or sufficiency of the information contained in this document.


Chief® and Centris™ are registered trademarks of Milestone AV Technologies. All rights reserved.


IMPORTANT SAFETY INSTRUCTIONS!


 **WARNING:** A WARNING alerts you to the possibility of serious injury or death if you do not follow the instructions.


 **CAUTION:** A CAUTION alerts you to the possibility of damage or destruction of equipment if you do not follow the corresponding instructions.


 **WARNING:** Failure to read, thoroughly understand, and follow all instructions can result in serious personal injury, damage to equipment, or voiding of factory warranty! It is the installer's responsibility to make sure all components are properly assembled and installed using the instructions provided.


 **WARNING:** Failure to provide adequate structural strength for this component can result in serious personal injury or damage to equipment! It is the installer's responsibility to make sure the structure to which this component is attached can support five times the combined weight of all equipment. Reinforce the structure as required before installing the component.

 **WARNING:** Failure to keep all mounted equipment directly above the desk surface at all times can result in serious personal injury or damage to equipment! All mounted equipment must remain directly above the surface of the desk in order to ensure and maintain a stable mount.

 **WARNING:** Exceeding the weight capacity can result in serious personal injury or damage to equipment! It is the installer's responsibility to make sure the weight of each monitor attached does not exceed the weight limit for each specific model. Refer to Table 1 for the weight limits for each model.

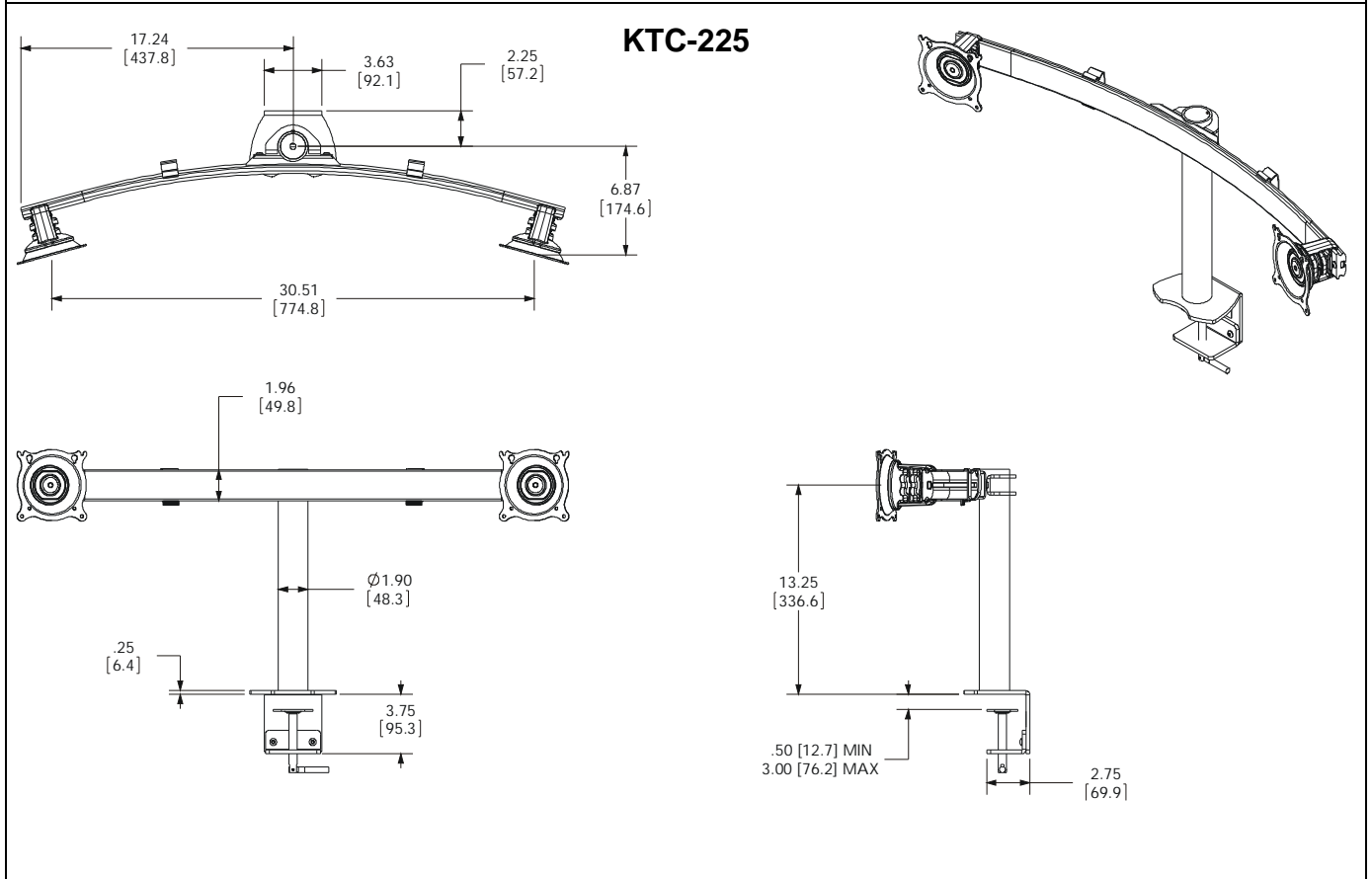
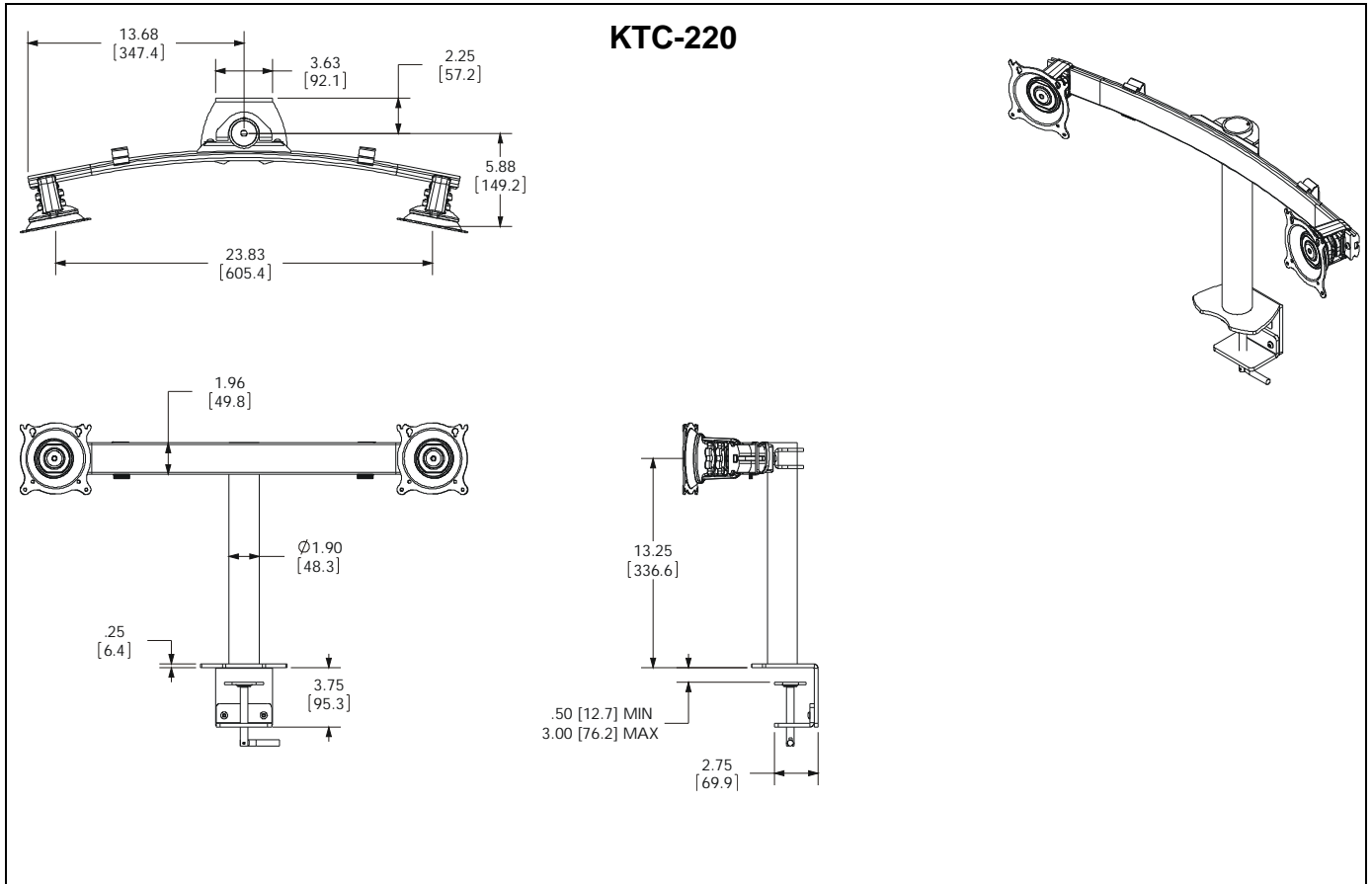
 **WARNING:** Use this mounting system only for its intended use as described in these instructions. Do not use attachments not recommended by the manufacturer.

 **WARNING:** Never operate this mounting system if it is damaged. Return the mounting system to a service center for examination and repair.

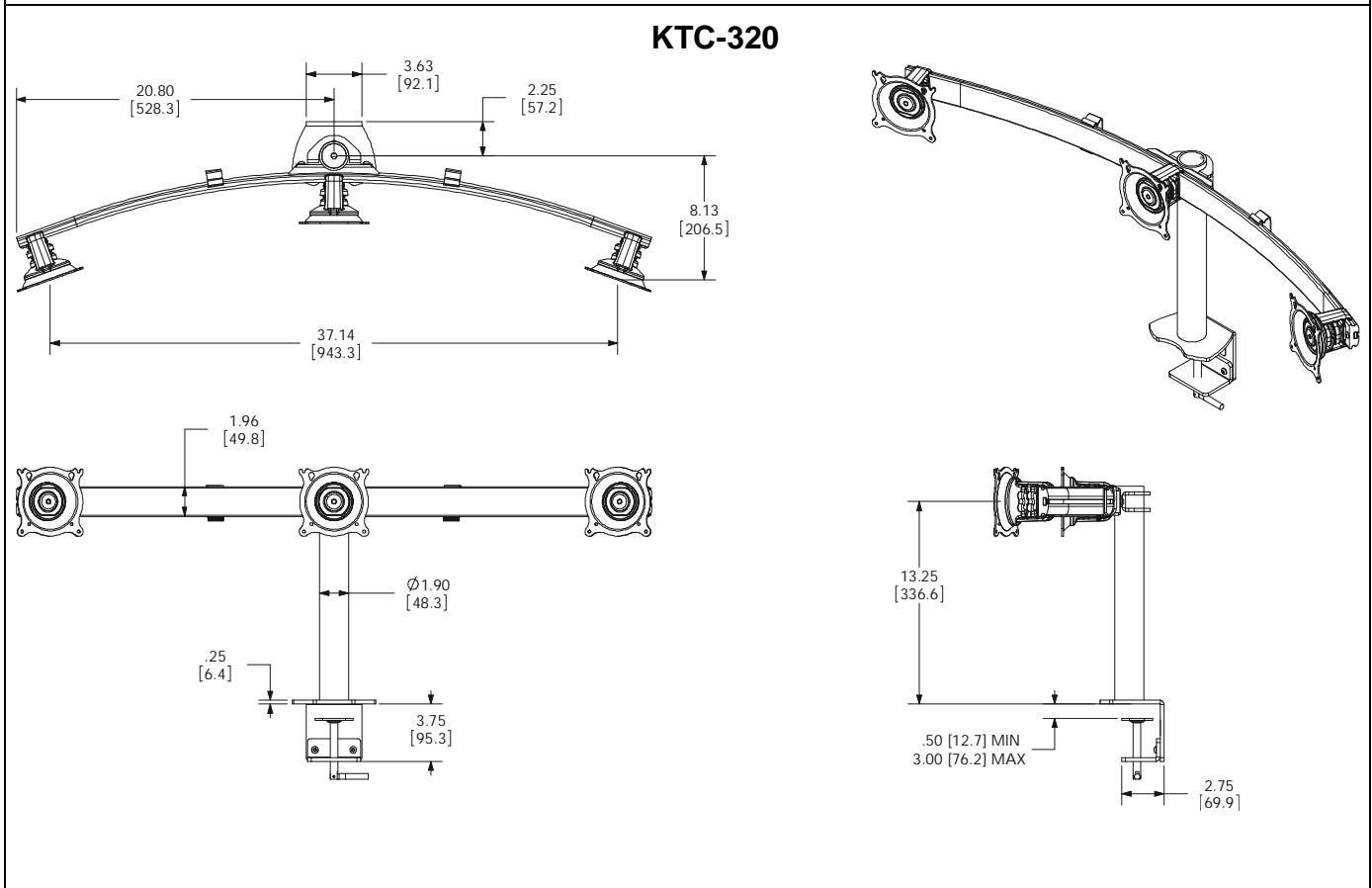
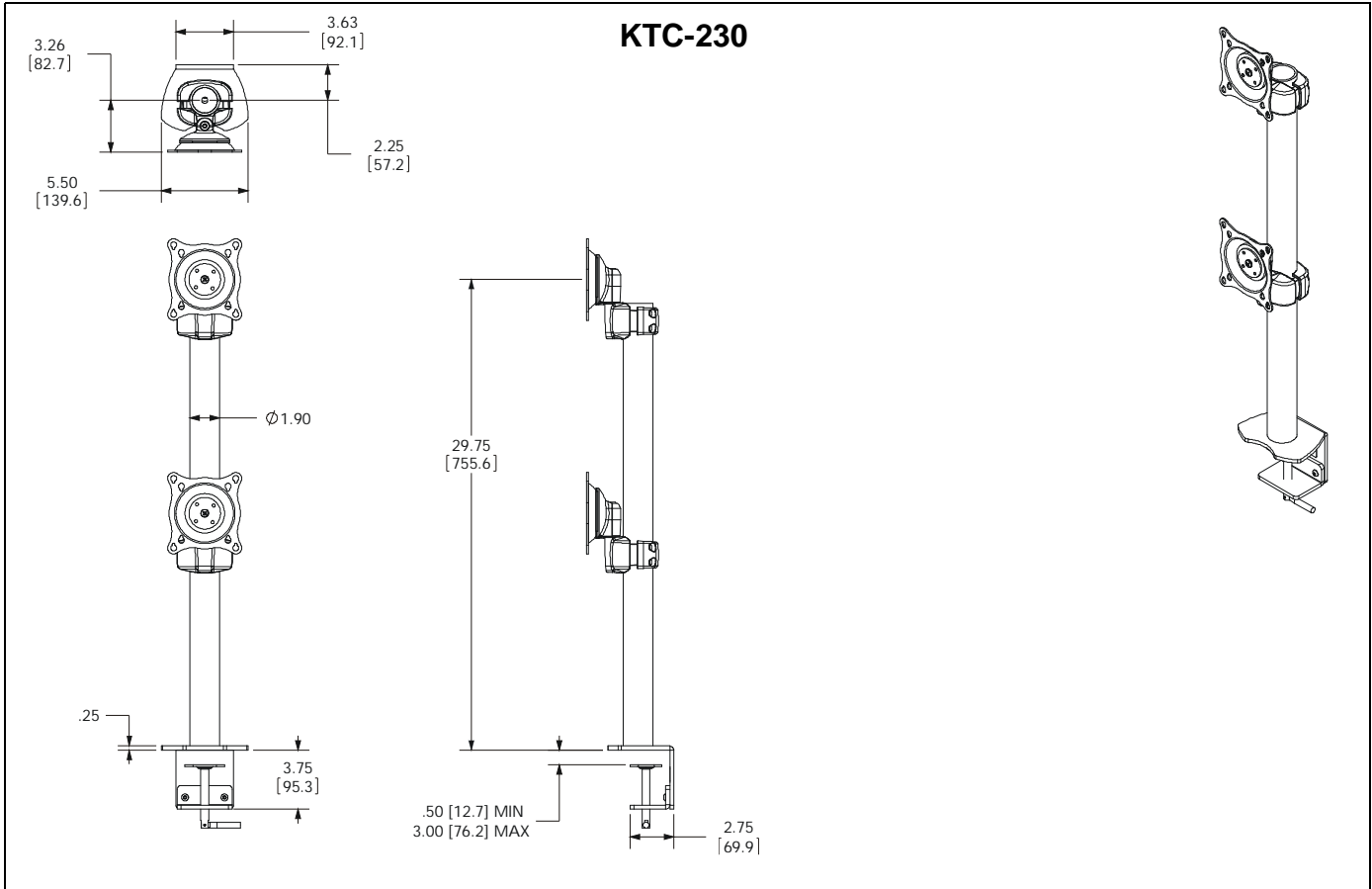
 **WARNING:** Do not use this product outdoors.

--SAVE THESE INSTRUCTIONS--

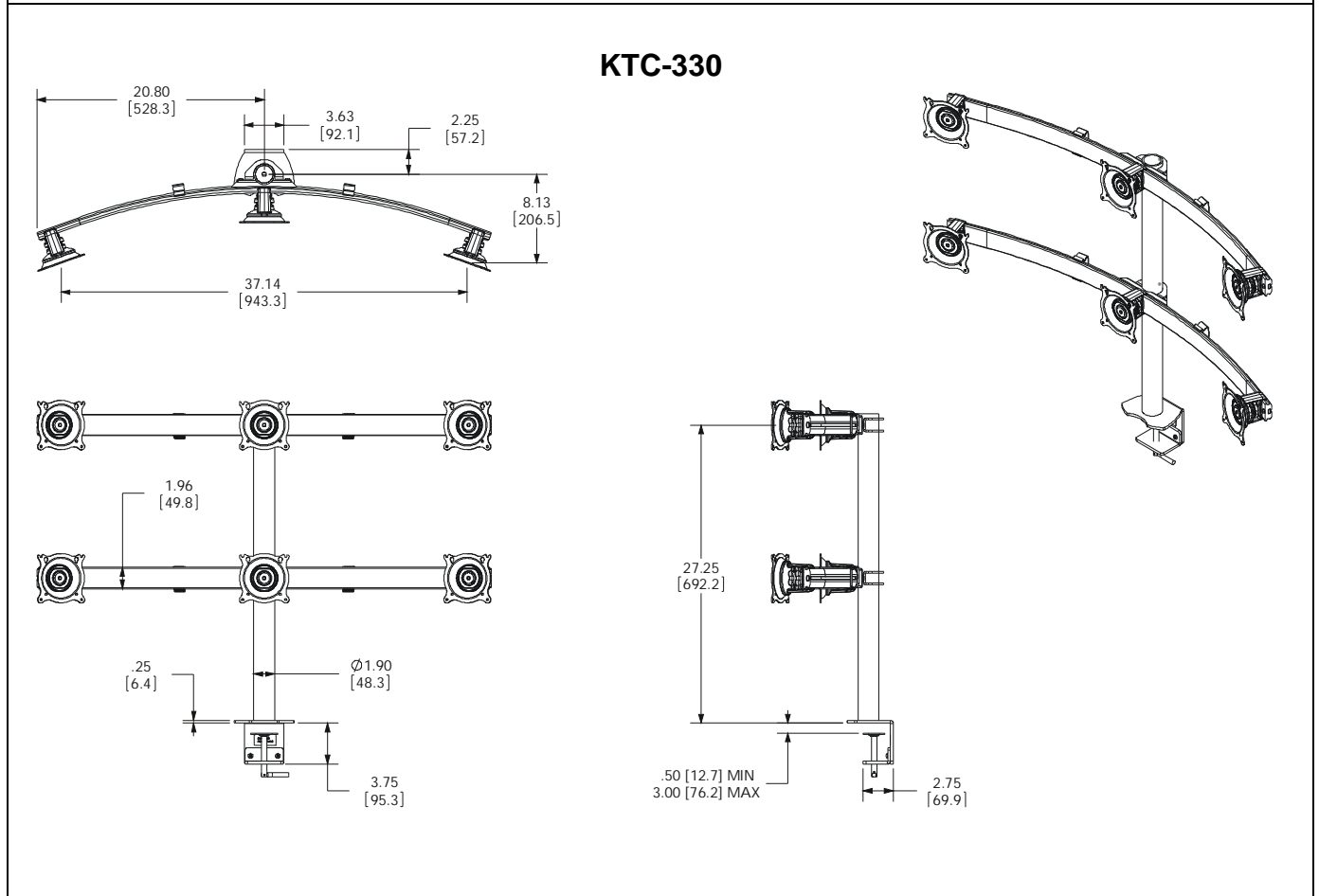
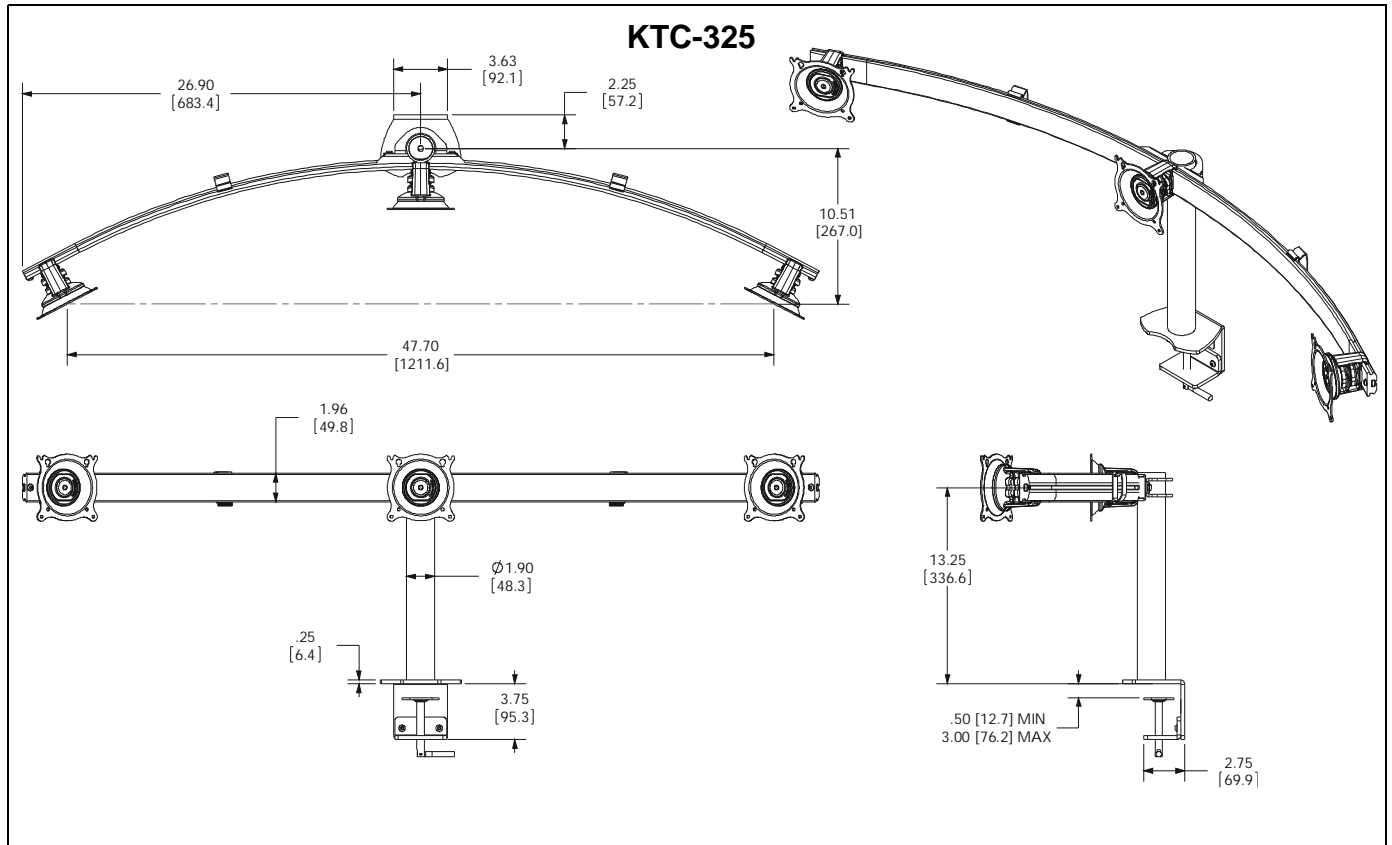
DIMENSIONS



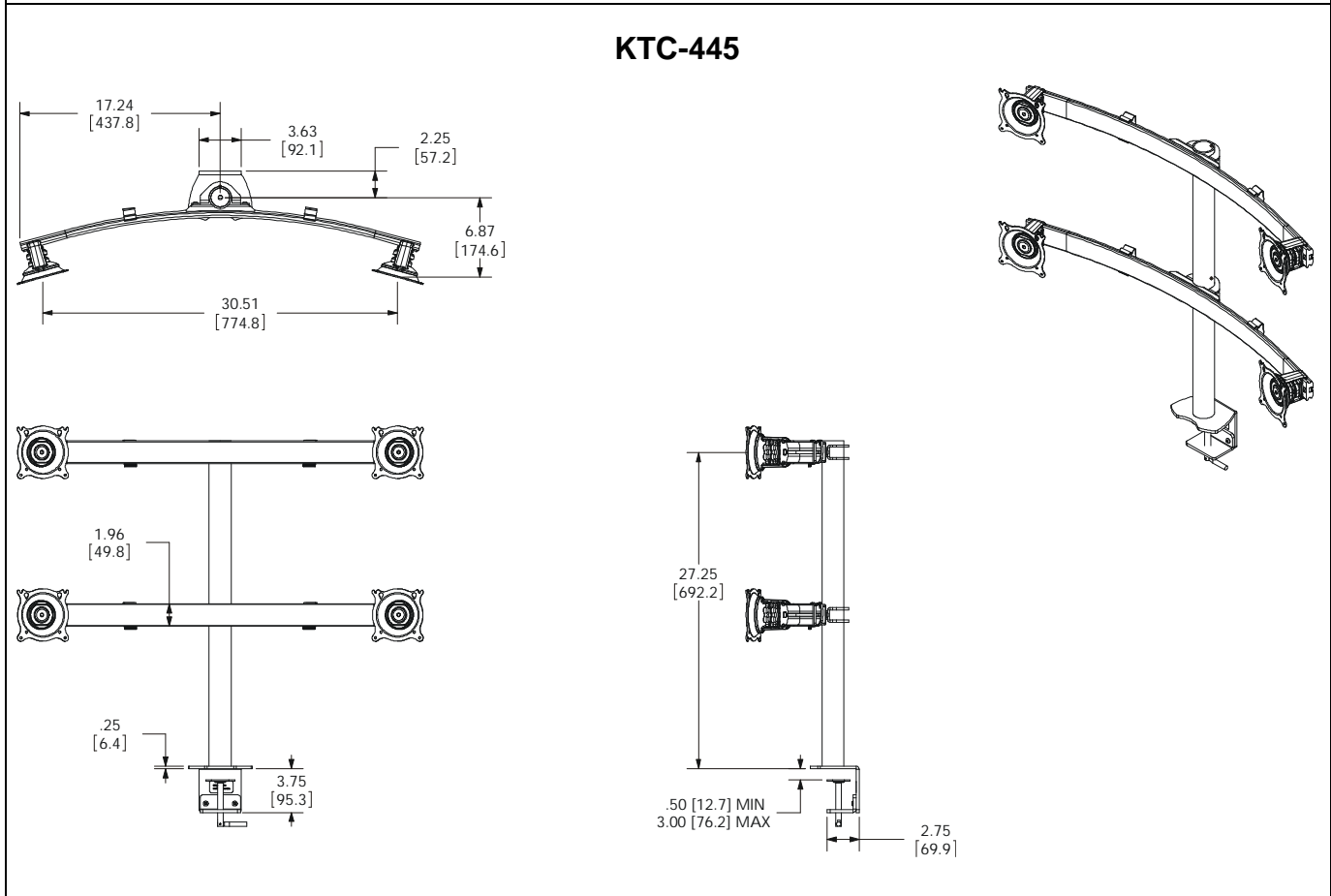
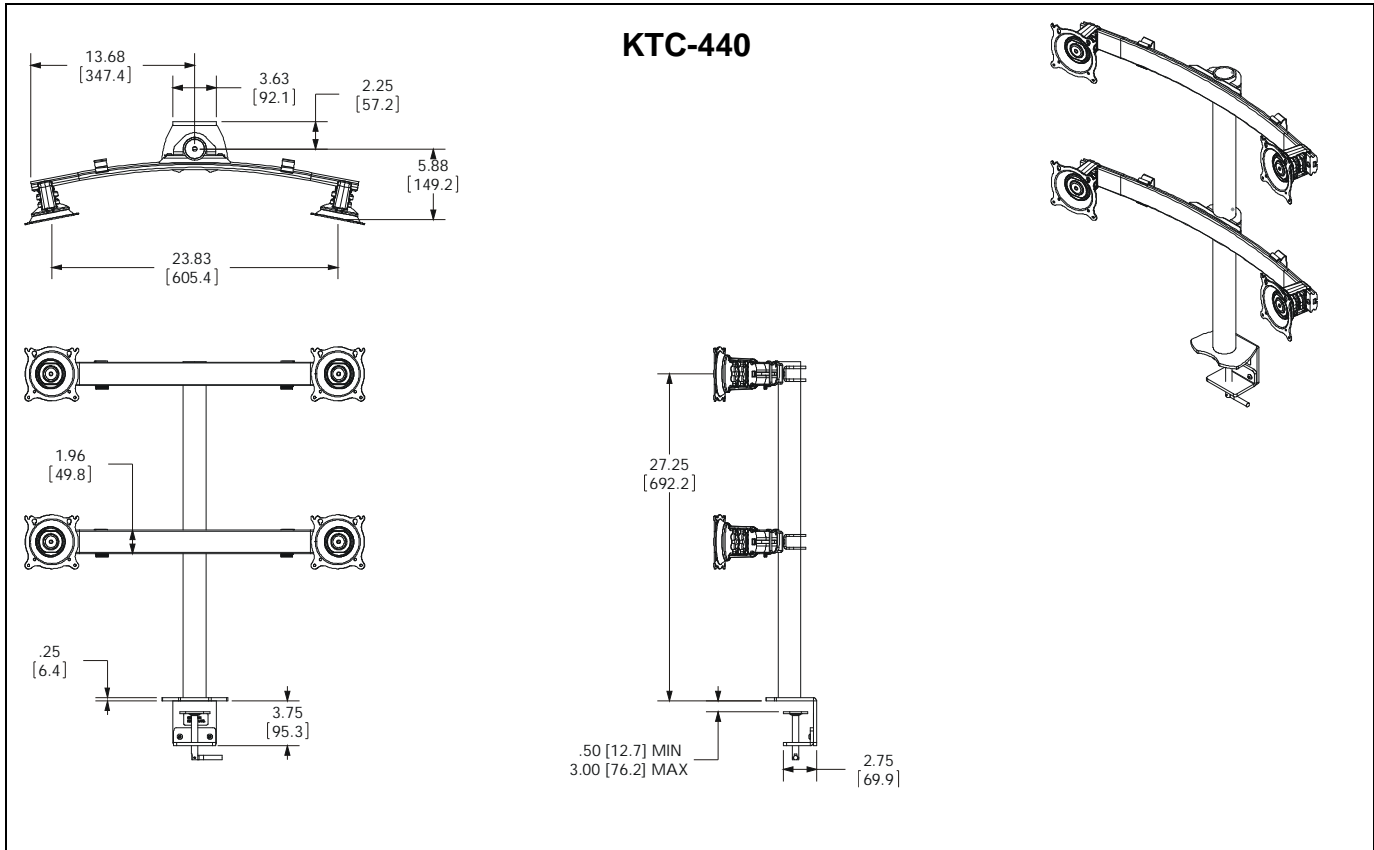
DIMENSIONS - CONTINUED



DIMENSIONS - CONTINUED



DIMENSIONS - CONTINUED



LEGEND



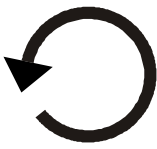









	<p>Tighten Fastener Apretar elemento de fijación Befestigungsteil festziehen Apertar fixador Serrare il fissaggio Bevestiging vastdraaien Serrez les fixations</p>		<p>Pencil Mark Marcar con lápiz Stiftmarkierung Marcar com lápis Segno a matita Potloodmerkten Marquage au crayon</p>
	<p>Loosen Fastener Aflojar elemento de fijación Befestigungsteil lösen Desapertar fixador Allentare il fissaggio Bevestiging losdraaien Desserrez les fixations</p>		<p>Drill Hole Perforar Bohrloch Fazer furo Praticare un foro Gat boren Percez un trou</p>
	<p>Phillips Screwdriver Destornillador Phillips Kreuzschlitzschraubendreher Chave de fendas Phillips Cacciavite a stella Kruiskopschroevendraaier Tournevis à pointe cruciforme</p>		<p>Adjust Ajustar Einstellen Ajustar Regolare Afstellen Ajuster</p>
	<p>Open-Ended Wrench Llave de boca Gabelschlüssel Chave de bocas Chiave a punte aperte Steeksleutel Clé à fourche</p>		<p>Remove Quitar Entfernen Remover Rimuovere Verwijderen Retirez</p>
	<p>By Hand A mano Von Hand Com a mão A mano Met de hand À la main</p>		<p>Optional Opcional Optional Opcional Opzionale Optie En option</p>
	<p>Hex-Head Wrench Llave de cabeza hexagonal Sechskantschlüssel Chave de cabeça sextavada Chiave esagonale Zeskantsleutel Clé à tête hexagonale</p>		<p>Security Wrench Llave de seguridad Sicherheitsschlüssel Chave de segurança Chiave di sicurezza Veiligheidssleutel Clé de sécurité</p>

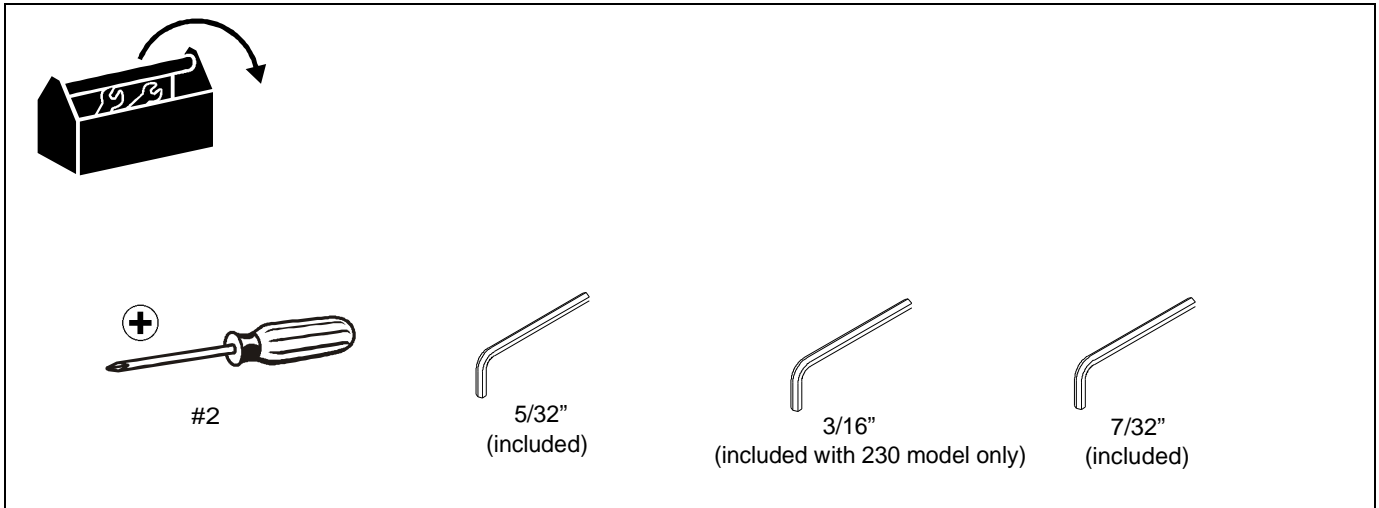
Table 1: Monitor Limits

		MONITOR LIMITS By MODEL							
	DESCRIPTION	220	225	230	320	325	330	440	445
	Weight	35 lbs	35 lbs	35 lbs	20 lbs	15 lbs.	15 lbs	20 lbs	15 lbs
	Max Screen Width	22.7"	30"	N/A	18"	24.5"	18"	22.7"	30"
	Max Screen Height	28"	28"	19.3"	28"	28"	18.5"	18.5"	18.5"

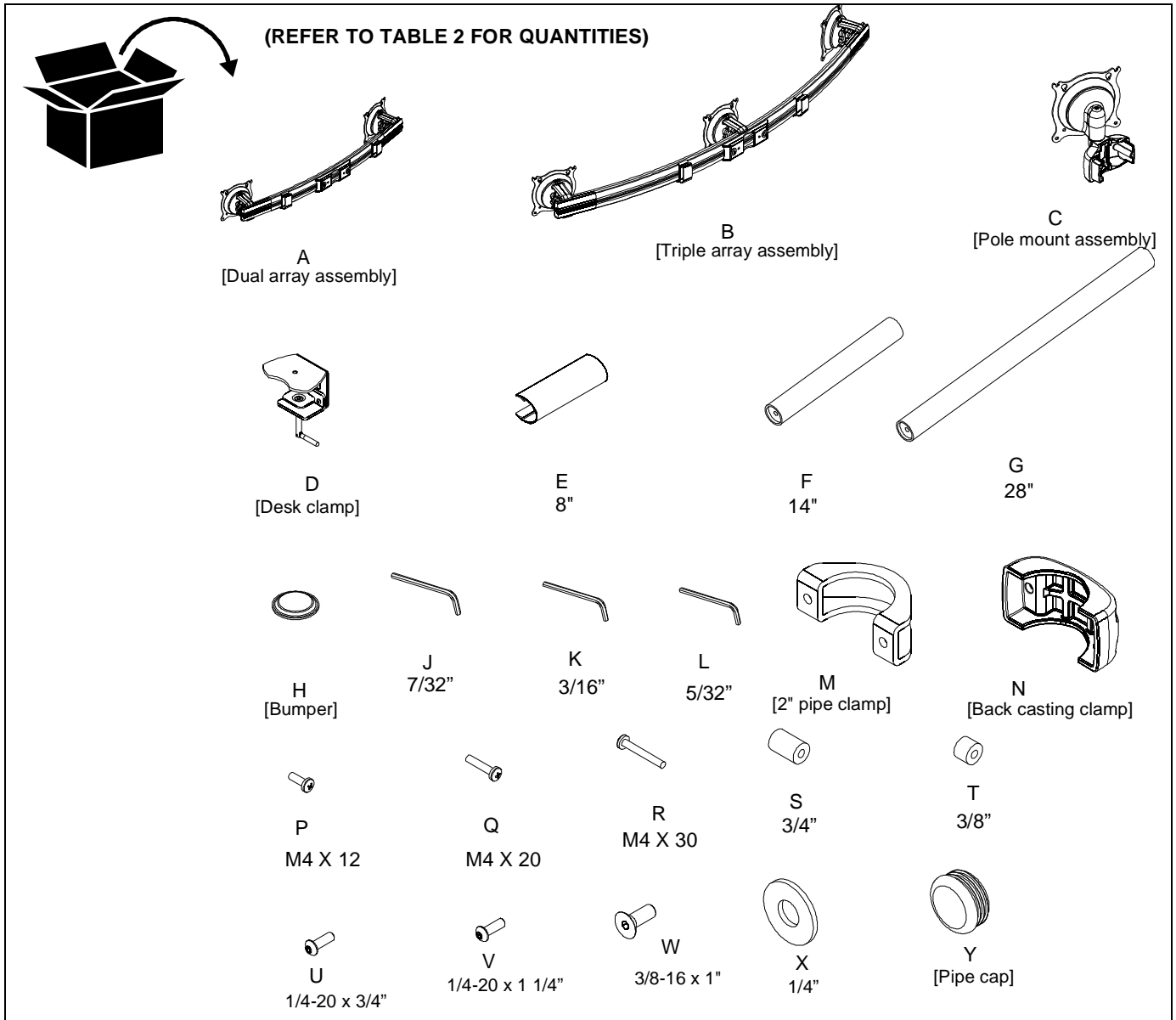
Table 2: Parts

		QUANTITY By MODEL							
ITEM	DESCRIPTION	220	225	230	320	325	330	440	445
A	ARRAY ASSEMBLY, Dual, 27"	1						2	
	ARRAY ASSEMBLY, Dual, 34"		1						2
B	ARRAY ASSEMBLY, Triple, 42"				1		2		
	ARRAY ASSEMBLY, Triple, 54"					1			
C	CENTRIS HEAD ASSEMBLY, Pole Mount			2					
D	DESK CLAMP	1	1	1	1	1	1	1	1
E	SHEATH, Cable Management, 8"	1	1	2	1	1	2	2	2
F	POLE, Mount Freestanding, 14"	1	1		1	1			
G	POLE, Mount Freestanding, 28"			1			1	1	1
H	BUMPER,	6	6	6	6	6	6	6	6
J	KEY, Hex, 5/32"	1	1	1	1	6	1	1	1
K	KEY, Hex, 3/16"			1					
L	KEY, Hex, 7/32"	1	1	1	1	1	1	1	1
M	CLAMP, Pole 2" Pipe	1	1		1	1	2	2	2
N	CLAMP, Back Casting			2					
P	SCREW, Phillips Pan Head, M4 x 12mm	8	8	8	12	12	24	16	16
Q	SCREW, Phillips Pan Head, M4 x 20mm	8	8	8	12	12	24	16	16
R	SCREW, Phillips Pan Head, M4 x 30mm	8	8	8	12	12	24	16	16
S	SPACER, Nylon, 3/8" (used with item Q)	8	8	8	12	12	24	16	16
T	SPACER, Nylon, 3/4" (used with item R)	8	8	8	12	12	24	16	16
U	SCREW, Button Head Cap, 1/4-20 x 3/4"	2	2		2	2	4	4	4
V	SCREW, Button Head Cap, 1/4-20 x 1 1/4"			6					
W	SCREW, Flat Head Cap, 3/8-16 x 1"	1	1	1	1	1	1	1	1
X	WASHER, Flat, 1/4"	2	2		2	2	4	4	4
Y	PIPE CAP, 1.75 OD	1	1	1	1	1	1	1	1

TOOLS REQUIRED FOR INSTALLATION



PARTS



INSTALLATION

Desk Clamp Installation

NOTE: In order to reduce the chance of scratching to the mounting surface, bumpers may be installed. However, installation of bumpers is optional.

1. Remove adhesive from underside of bumpers (H).
2. Attach bumpers (H) to underside of desk clamp (D). (See Figure 1)

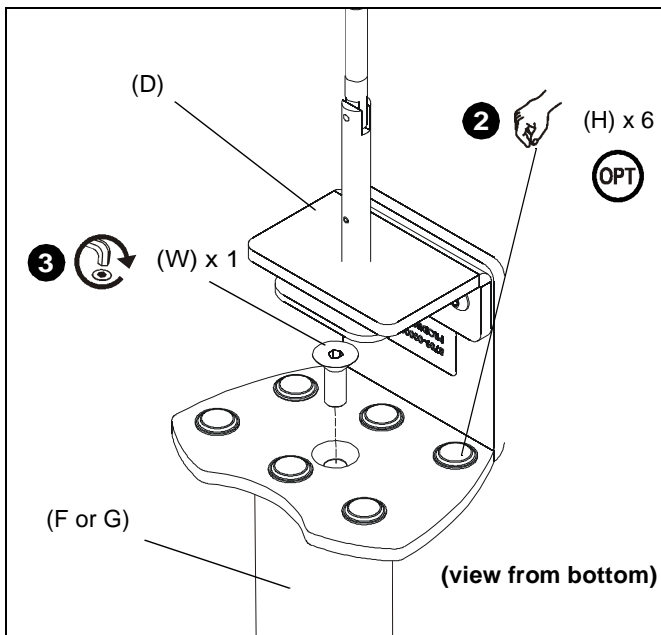


Figure 1

3. Use 7/32" hex key (J) to install 3/8-16 x 1" flat head cap screw (W) through the opening on top of desk clamp (D) and into bottom of mounting pole (F or G). (See Figure 1)
4. Determine the location where desk clamp will be mounted.



WARNING: Failure to keep all mounted equipment directly above the desk surface at all times can result in serious personal injury or damage to equipment! All mounted equipment must remain directly above the surface of the desk in order to ensure and maintain a stable mount.

5. Place desk clamp (D) over desired mounting location on desk. (See Figure 2)
6. If there is not enough clearance behind the desk for the device to clear, remove the bottom portion of the desk clamp by using 5/32" hex key (L) to remove 2 connecting screws. (See Figure 2)
7. Reinstall bottom portion of the desk clamp (if necessary) by reinstalling 2 connecting screws underneath desk. (See Figure 2)

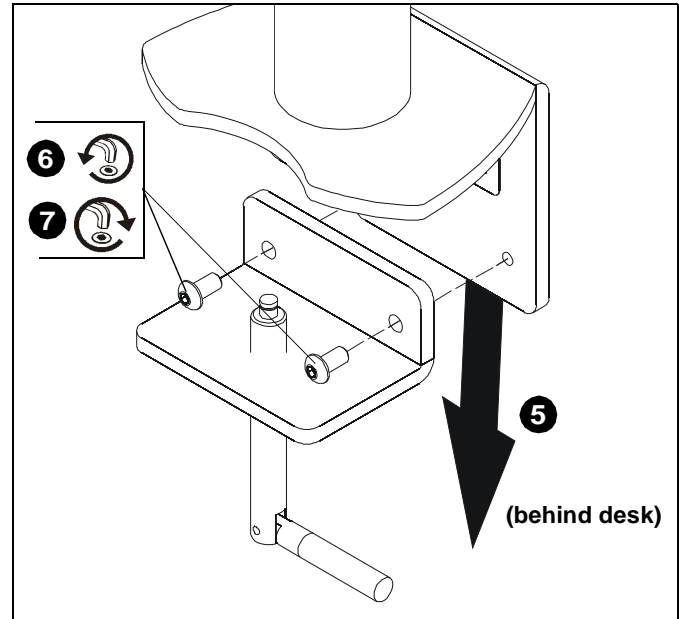


Figure 2

8. Turn clamp screw until the clamp is secured to the desk as tightly as possible. (See Figure 3)

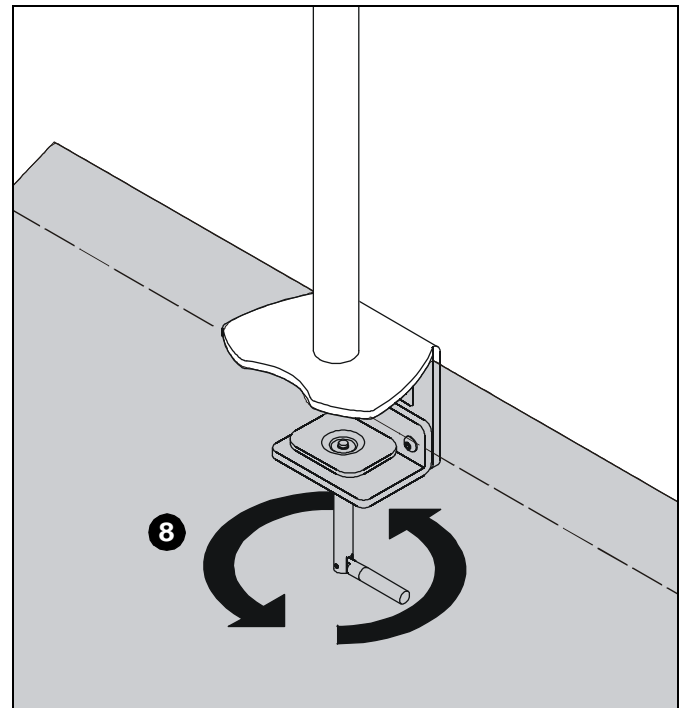


Figure 3

Mount Assembly

KTC-230 Assembly

1. Place front pole clamp with Centris Head (C) against pole (G) in approximate mounting location.
2. Place three 1/4-20 X 1 1/4" button head cap screws (V) into rear pole clamp (N) and place against pole aligning with front pole clamp on Centris Head (C). (See Figure 4)

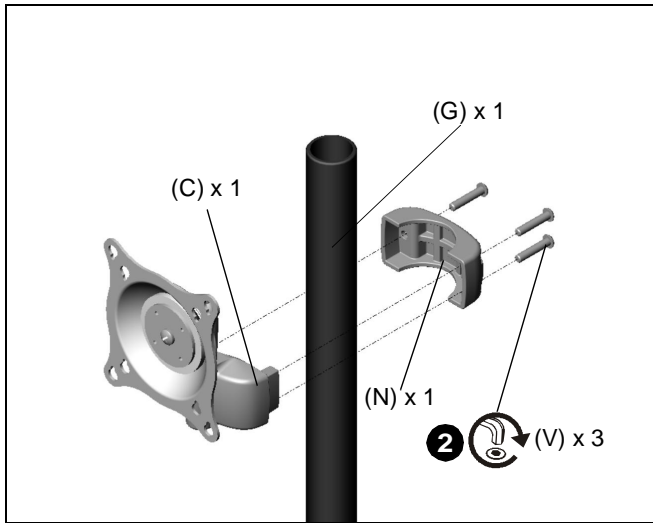


Figure 4

3. Equally tighten screws (V) against front pole mount and the rear pole clamp (N). (See Figure 5)

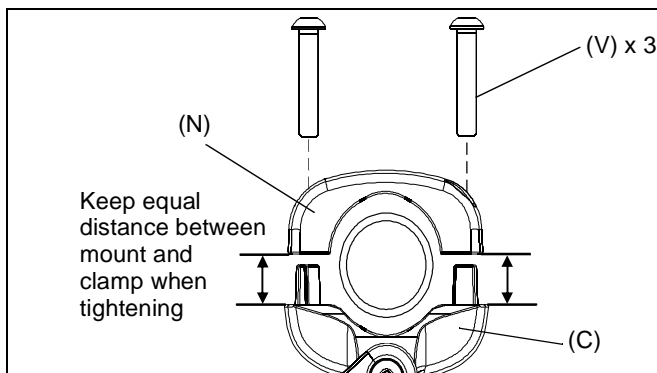


Figure 5

4. Secure rear pole clamp (N) to Centris head's front pole mount (C) and pole (G) by tightening three button head cap screws (V) using 5/32" hex key (J). (See Figure 4)
5. Repeat steps 1-4 for additional Centris head.
6. Add pipe cap (Y) to top of pole (F or G).

KTC-220, 225, 320, 325, 330, 440 and 445 Assembly

1. Assemble pole clamp back (M) to pole mount front using two washers (X) and two 1/4-20 x 3/4" button head cap screws (U) using a 5/32" hex key (J). (See Figure 6)
2. Secure pole mount back (M) to pole mount front and pole by tightening two button head cap screws (U) using a 5/32" hex key (J).
3. Repeat steps 1-2 for additional array mount on KTC-330, 440 and 445.
4. Add pipe cap (Y) to top of pole (F or G).

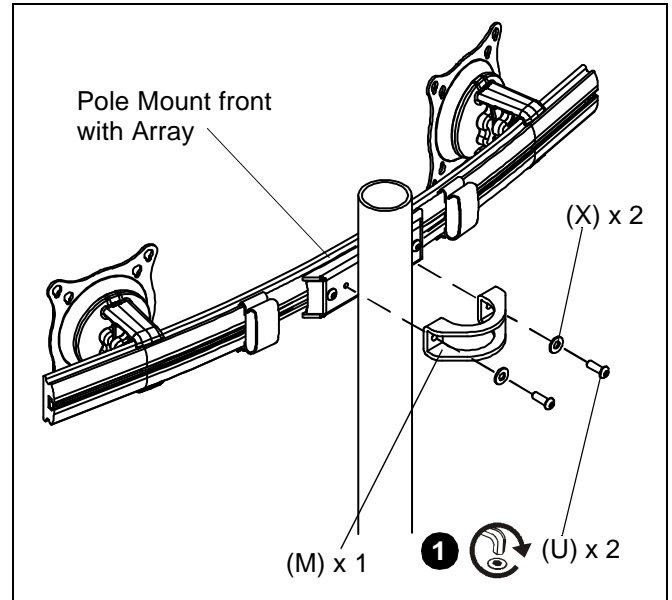


Figure 6

Display Installation

Attach Centris Head to Flush Mount Display



CAUTION: If display uses a screw size other than those included in the kit, DO NOT use the screws provided. Using the wrong screws could result in damage to your monitor.

1. Install two M4 x 12mm Phillips pan head screws (P) into two upper mounting holes in display back using #2 Phillips screwdriver. (See Figure 7)

NOTE: DO NOT fully tighten at this time.

2. Hang display on Centris head. (See Figure 8)
3. Install bottom two M4 x 12mm Phillips pan head screws (P) through Centris head mounting holes and into lower mounting holes in display back.
4. Tighten ALL four M4 x 12mm Phillips pan head screws (P). (See Figure 9)

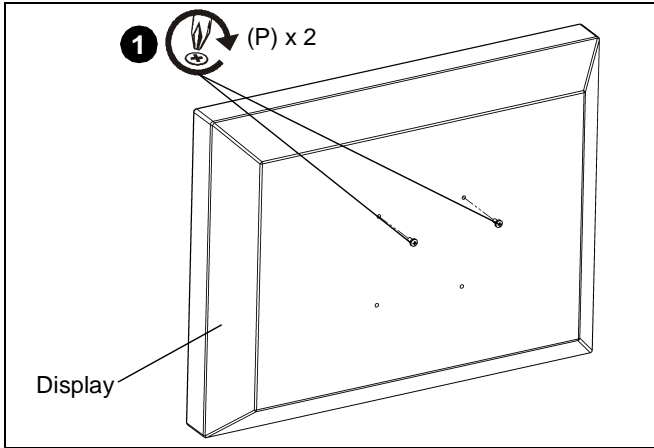


Figure 7

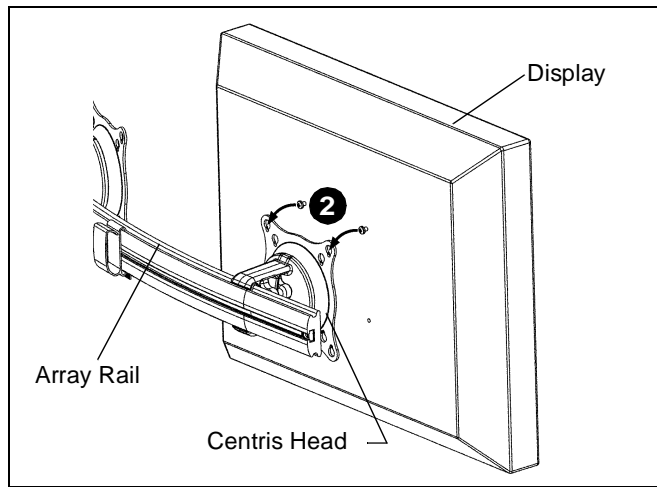


Figure 8

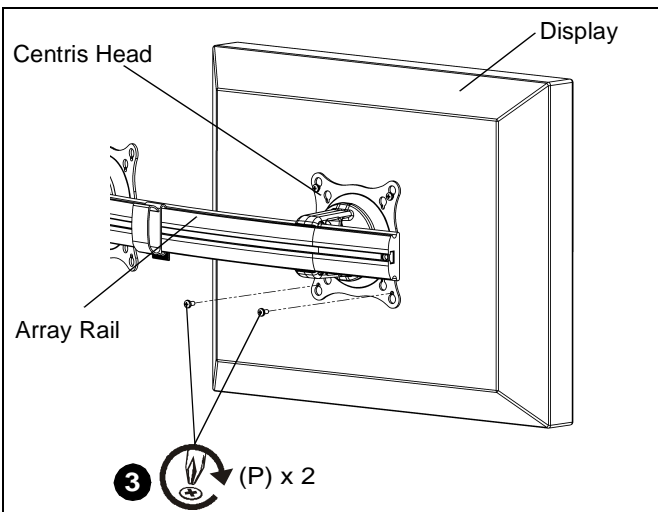


Figure 9

Attach Centris Head to Recessed Mount Display

NOTE: Refer to Table 1 to select the applicable screw and spacer combination.

1. Uninstall end lock using the 5/32" hex key (J). (See Figure 10)
2. Slide Centris head off array rail. (See Figure 11)

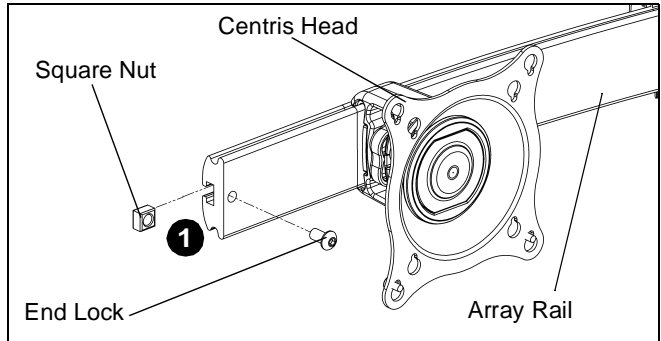


Figure 10

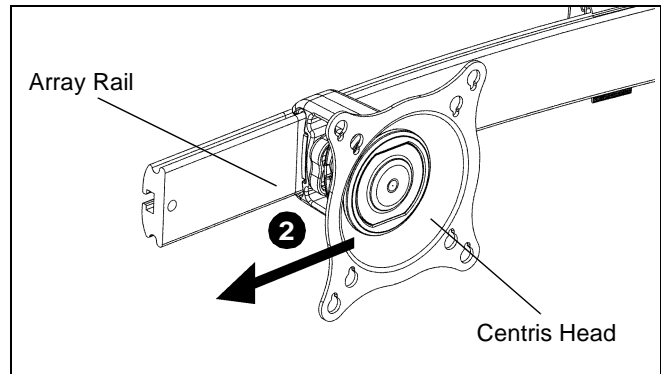


Figure 11

3. Place display face down on a clean dry surface.
4. Place four 3/8" or 3/4" nylon spacers (S or T) over four mounting holes in display back (See Figure 12).
5. Align Centris head mounting holes with four nylon spacers (See Figure 12).
6. Secure Centris head to display using four M4 x 20mm Phillips pan head screws (Q), or four M4 x 30mm Phillips pan head screws (R). (See Figure 12).

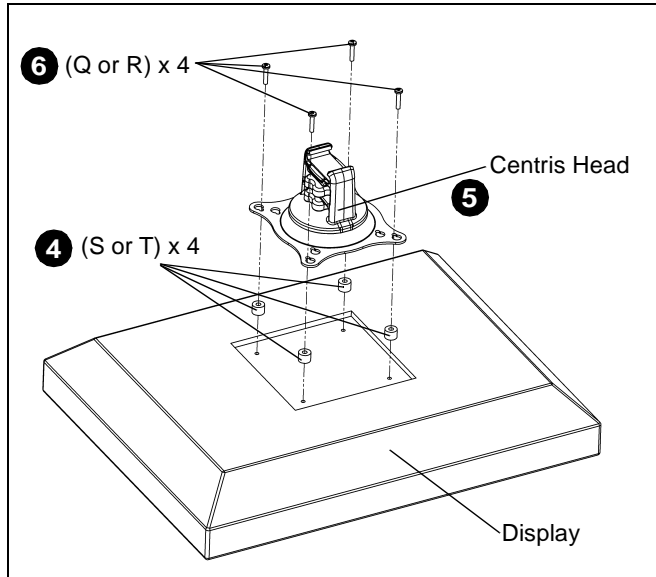


Figure 12

7. Slide display with Centris bracket onto array rail. (See Figure 13)

NOTE: Repeat previous steps for each additional display.

8. Reinstall end locks into mounting rail using the 5/32" hex key (J) (See Figure 14).

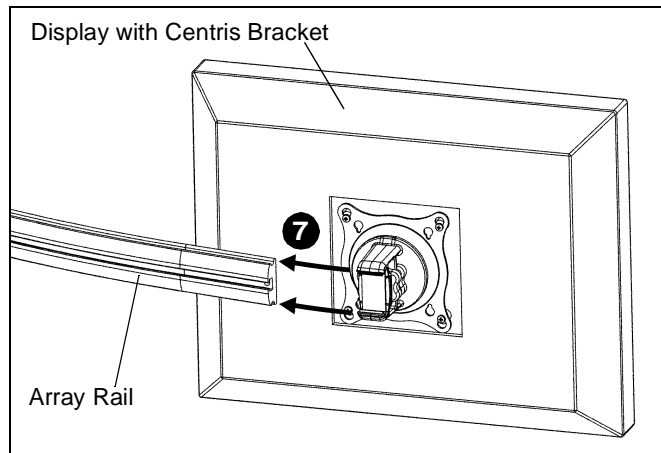


Figure 13

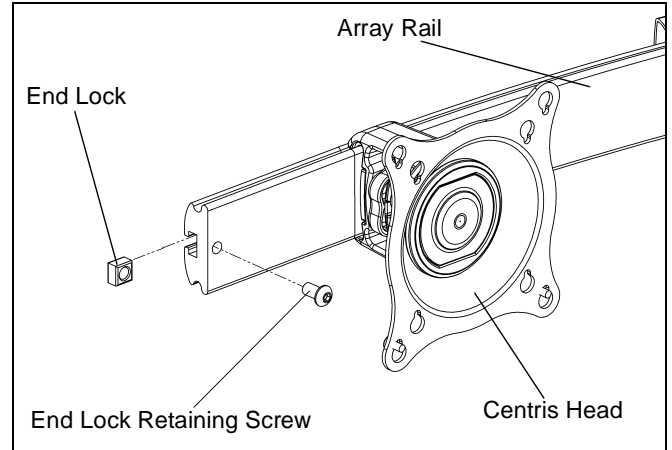


Figure 14

ADJUSTMENTS

Display Adjustment

The KTC Series mount allows horizontal, pitch, and rotational adjustment of each display.

The KTC Series mount also allows a full 360 deg. of display rotation with a maximum pitch range of 15° up and 15° down.

The 3/16" hex key included with the KTC-230 mount is to be used to adjust the rotation on this model.

Display Horizontal Position Adjustment

To adjust display horizontal position:

1. Loosen Centris bracket rear adjustment knob (See Figure 15).
2. Slide Centris bracket with display left or right until properly positioned on array rail.
3. Tighten Centris bracket rear adjustment knob.

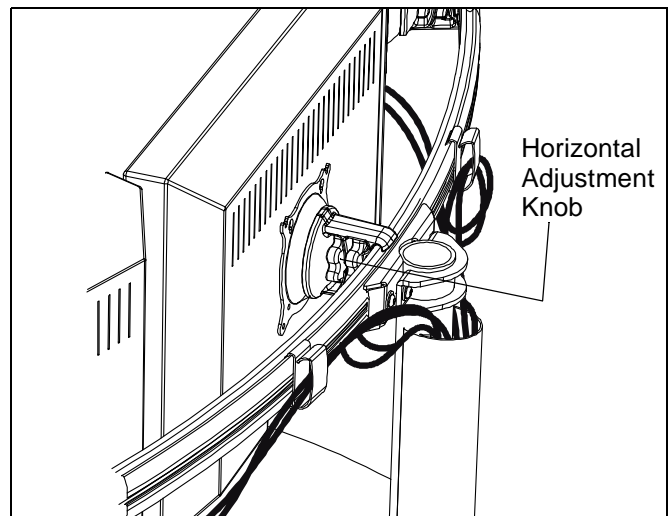


Figure 15

Display Pitch and Roll Adjustment

To adjust display pitch or roll position:

1. Loosen Centris bracket front adjustment knob. (See Figure 16)
2. Tilt display up or down, or adjust display roll left or right until properly positioned.
3. Tighten Centris bracket front adjustment knob.

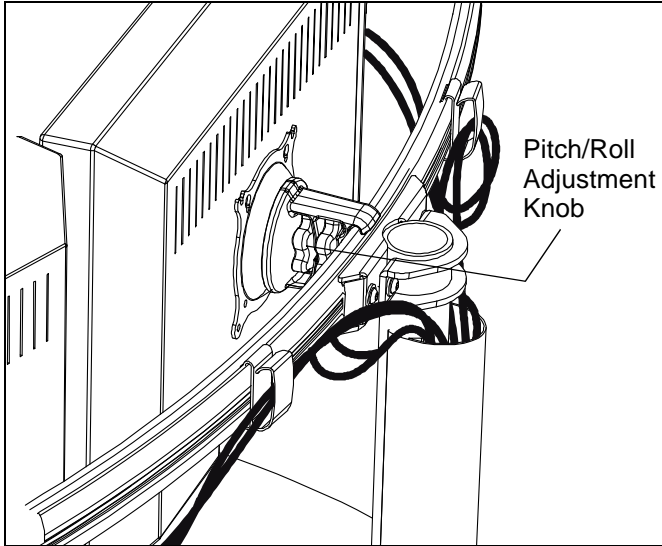


Figure 16

CABLE MANAGEMENT

The KTC Series mount includes cable management features used to properly route and secure display cables.

To use the cable management features:

1. Connect cables to display.
2. Route cables through cable clips on array rail. (See Figure 17)
3. Route cables down pole and away from mount and secure to pole using sheath (E). (See Figure 17)

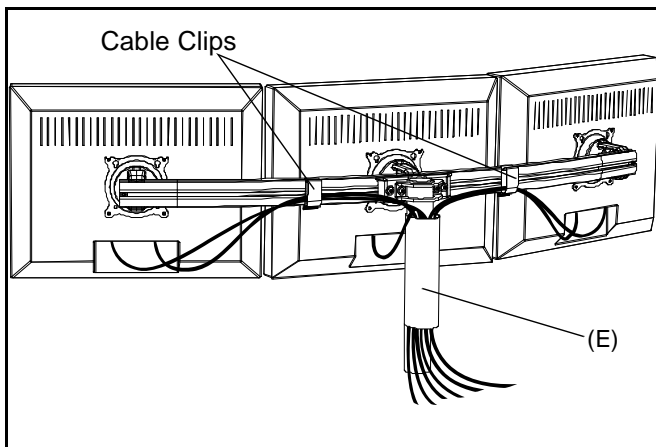


Figure 17

4. Repeat steps 1-3 for additional array on KTC-330, 440 and 445.



Our Mounts. **Your Vision.**

Chief Manufacturing, a products division
of Milestone AV Technologies
8800-002425Rev 00

©2013 Milestone AV Technologies, a
Duchossois Group Company

www.chiefmfg.com

05/13

USA/International	A 6436 City West Parkway, Eden Prairie, MN 55344
	P 800.582.6480 / 952.225.6000
	F 877.894.6918 / 952.894.6918
Europe	A Franklinstraat 14, 6003 DK Weert, Netherlands
	P +31 (0) 495 580 852
	F +31 (0) 495 580 845
Asia Pacific	A Office No. 1 on 12/F, Shatin Galleria 18-24 Shan Mei Street Fotan, Shatin, Hong Kong
	P 852 2145 4099
	F 852 2145 4477

