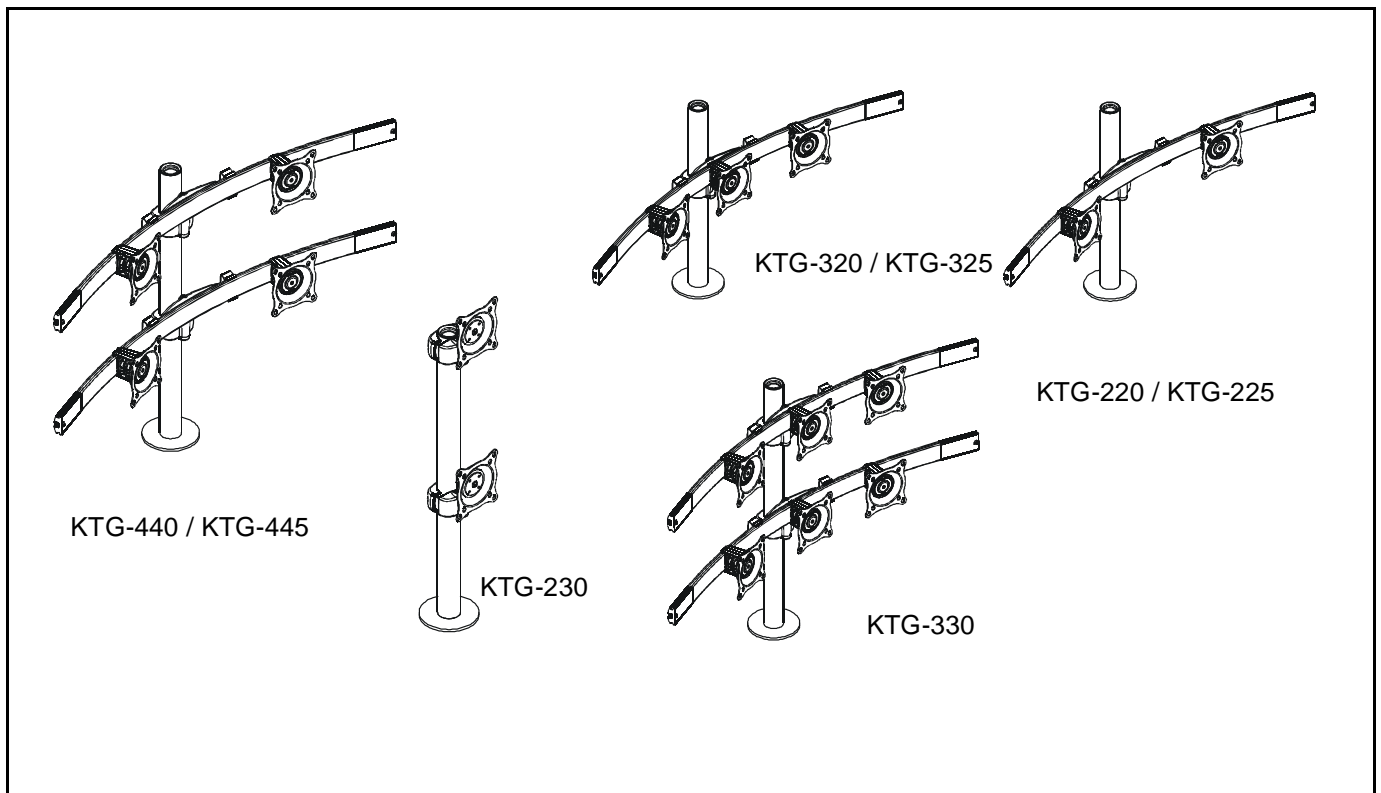


INSTALLATION INSTRUCTIONS

Horizontal And Vertical Table Stands and Accessories

Model: KTG-Series

The KTG-Series is a free standing, pole mount solution for multiple displays.



BEFORE YOU BEGIN

⚠ CAUTION!

To prevent damage to the Kit, which could affect or void the Factory warranty, and to the equipment that will be attached to it, thoroughly study all instructions and illustrations before you begin the installation.

- If you have any questions about this installation, contact Chief Manufacturing.

Chief® is a trademark of Milestone AV Technologies. All rights reserved.

TOOLS REQUIRED FOR INSTALLATION

- Drill and 1/2" drill bit (larger if mounting through a flat surface and using cable management)
- Phillips Head Screw Driver
- 3/4" Wrench
- 3/32" Hex Key (provided)
- 5/32" Hex Key (provided)
- 7/32" Hex Key (provided)

INSPECT MOUNT BEFORE ASSEMBLY

Carefully inspect components for shipping damage . If damage is apparent, call your carrier claims agent and do not continue with installation until the carrier has reviewed the damage.(see Figure 1)

Table 1: Parts

ITEM	DESCRIPTION	QUANTITY By MODEL							
		220	225	230	320	325	330	440	445
10	CENTRIS HEAD ASSEMBLY, Pole Mount			2					
20	ARRAY ASSEMBLY, Dual, 27"	1	1					2	
	ARRAY ASSEMBLY, Dual, 34"								2
30	ARRAY ASSEMBLY, Triple, 42"				1		1		
	ARRAY ASSEMBLY, Triple, 54"					1			
40	PIPE CAP, 1.75 OD	1	1	1	1	1	1	1	1
50	POLE, Freestand, 14"	1	1		1	1			
60	POLE, Freestand, 28"			1			1	1	1
70*	POLE, Freestand, 42"								
80	SHEATH, Cable Management, 8"	1	1	2	1	1	2	2	2
90		N/A	N/A	N/A	N/A	N/A	N/A	N/A	N/A
100	SCREW, Cable Management Grommet Mounting, 3/8-16 x 6"	1	1	1	1	1	1	1	1
110	GROMMET, Mounting	2	2	2	2	2	2	2	2
120	KEY, Hex, 5/32"	1	1	1	1	2	1	1	1
130	KEY, Hex, 3/16"	1	1	1	1	2	1	1	1
140	KEY, Hex, 7/32"			1					
160**	SCREW, Phillips Pan Head, M4 x 12mm	8	8	8	12	12	24	16	16
170**	SCREW, Phillips Pan Head, M4 x 20mm	8	8	8	12	12	24	16	16
180**	SCREW, Phillips Pan Head, M4 x 30mm	8	8	8	12	12	24	16	16
190**	SPACER, Nylon, 3/8" (used with item 170)	8	8	8	12	12	24	16	16
200**	SPACER, Nylon, 3/4" (used with item 180)	8	8	8	12	12	24	16	16
210	CLAMP, Front, Pole Mount			2					
220	CLAMP, Rear, Pole Mount			2					
230	SCREW, Button Head Cap, 1/4-20 x 1 1/4"			6			6		
240	CLAMP, Back, Array mounting	1	1		1	1	2	2	2
250	WASHER, Flat, 1/4"	2	2		2	2	4	4	4
260	SCREW, Button Head Cap, 1/4-20 x 3/4"	2	2		2	2	4	4	4
<p>* Indicates an available optional accessory not included with above models. For additional information pertaining to available accessories contact a Chief Customer Service representative or visit us at www.chiefmfg.com.</p> <p>** Quantity varies depending upon the number of displays being installed.</p>									

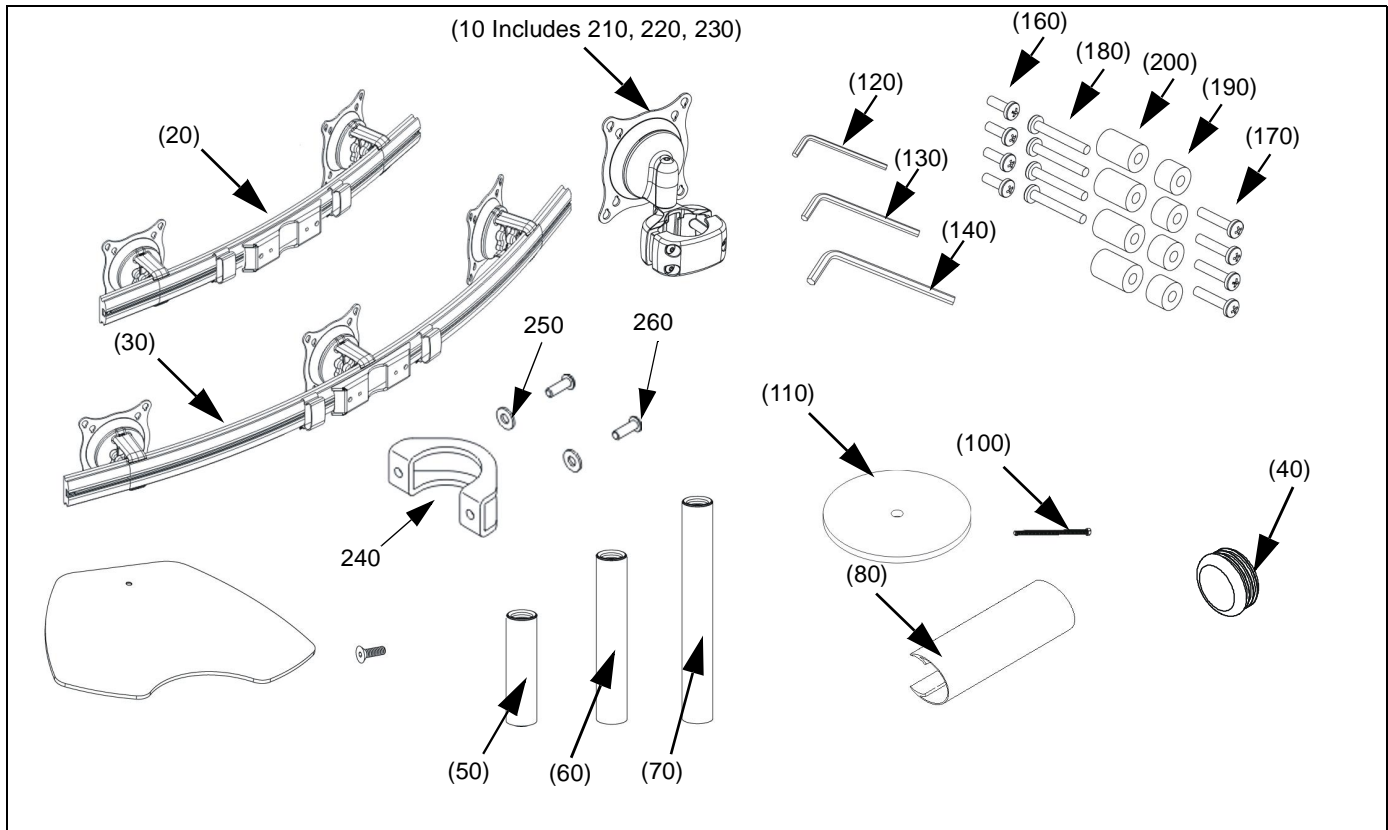


Figure 1: Parts

ASSEMBLY AND INSTALLATION

Grommet Mount Installation

To install on a flat surface:

1. Locate desired point on surface where mount is to be installed. (see Figure 2)
2. Drill a 1/2" dia. hole through surface.
3. Slide one 3/8-16 x 6" HHCS (100) upward through lower grommet (110), through hole in surface and through upper grommet (110).
4. Place pole (50, 60, 70) onto upper grommet (110) aligning threaded hole in pole bottom with threaded end of 3/8-16 x 6" HHCS (100).
5. Thread 3/8-16 x 6" HHCS (100) into pole bottom (50, 60, 70) and tighten to secure pole and grommets (110) to surface.
6. Add pipe cap (40) to top of pole.
7. Mount Centris head assembly or array assembly to rail following the instructions outlined in KTG-220, 320, And 440 Assembly section of this document.

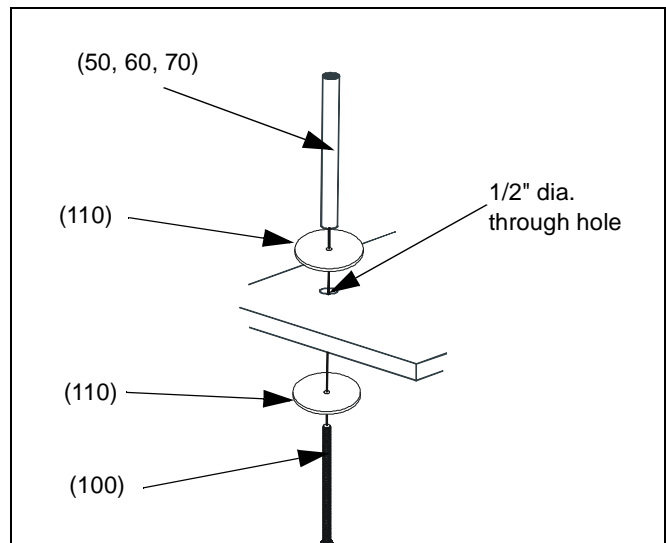


Figure 2: Grommet installation

Mount Assembly

KTG-230 Assembly

8. Place front pole clamp with Centris Head (210) against pole in approximate mounting location.
9. Place three BHCS (230) into rear pole clamp (220) and place against pole aligning with front pole clamp (210). (see Figure 3)

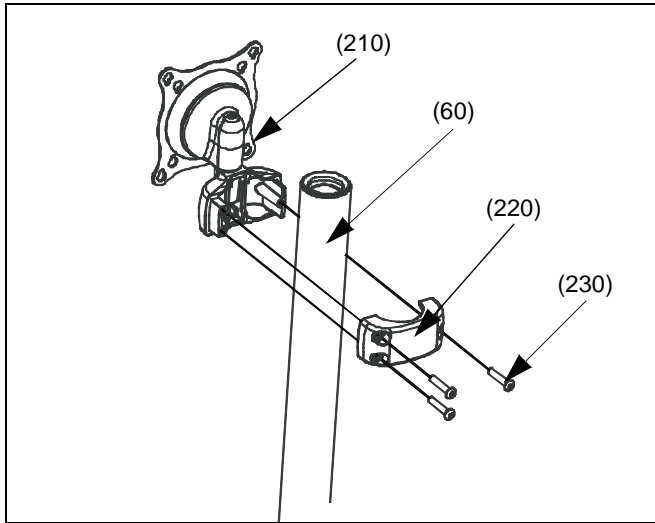


Figure 3: Mount Centris Head with Pole Clamp

NOTE: Equally tighten screws (230) against front pole mount (210) and the rear pole clamp (220). (see Figure 4)

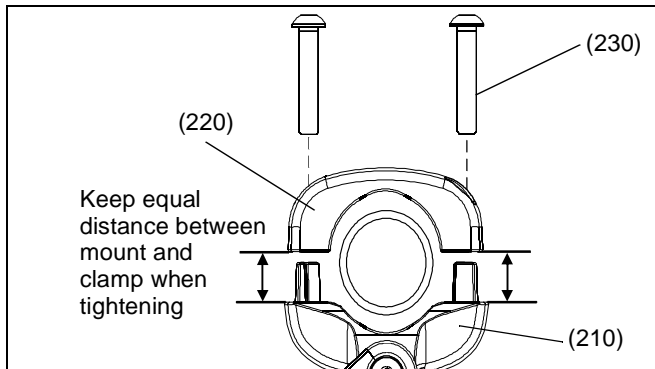


Figure 4: Tightening clamp to mount

10. Secure rear pole clamp (220) to front pole mount (210) and pole by tightening three BHCS (230) using 5/32" hex key (120). (see Figure 3)

KTG-220, 320, And 440 Assembly

To assemble the KTG-220, 320, and 440:

NOTE: If mount is being installed without the base through a flat surface, proceed to Grommet Mount Installation.

1. Assemble pole (50) to base (40) using one 3/8-16 x 1" FHCS (90). (see Figure 2)
2. Assemble pole clamp back (240) to pole mount front using two FW (250) and two BHCS (260) using a 5/32" hex key. (see Figure 5)

3. Secure pole mount back (240) to pole mount front and pole by tightening two BHCS (260) using a 5/32" hex key.

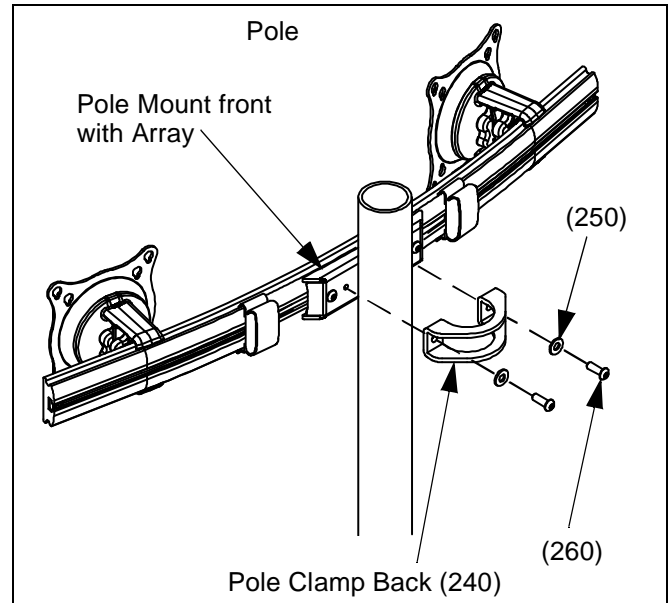


Figure 5: Assemble Array Rail to Pole

Display Installation

Attach Centris Head to Flush Mount Display

▲ CAUTION!

CAUTION: If display uses a screw size other than those included in the kit, DO NOT use the screws provided. Using the wrong screws could result in damage to your monitor.

1. Install two M4 x 12mm Phillips pan head screws (160) into two upper mounting holes in display back. (see Figure 6)

NOTE: DO NOT fully tighten at this time.

2. Hang display on Centris head. (see Figure 7)
3. Install bottom two M4 x 12mm Phillips pan head screws (160) through Centris head mounting holes and into lower mounting holes in display back.
4. Tighten ALL four M4 x 12mm Phillips pan head screws (160). (see Figure 8)

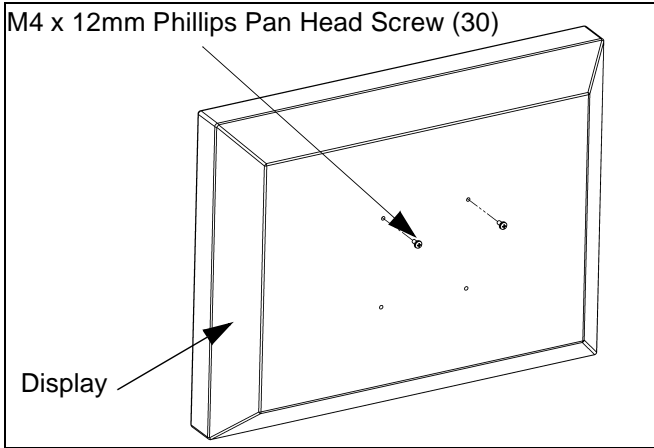


Figure 6: Prepare Display

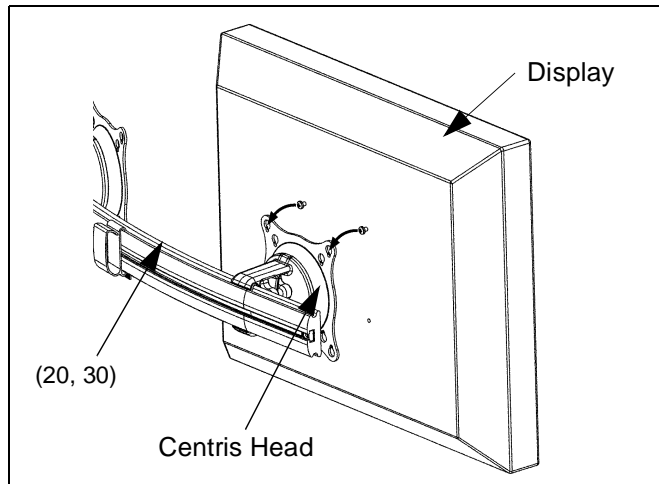


Figure 7: Hang Display

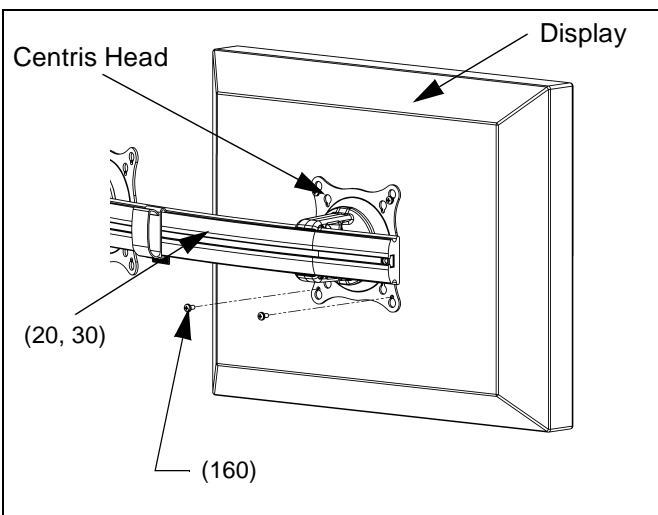


Figure 8: Secure Display to Centris Bracket

Attach Centris Head to Recessed Mount Display

NOTE: Refer to Table 1 to select the applicable screw and spacer combination.

1. Uninstall end lock using the 5/32" hex key (120). (see Figure 9)
2. Remove Centris head from array rail (20, 30).

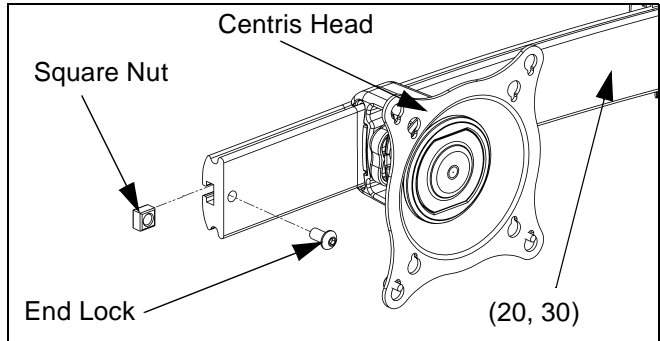


Figure 9: Remove End Lock(s)

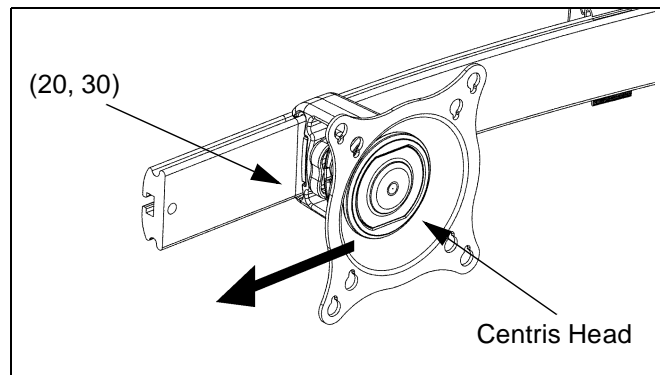


Figure 10: Slide Centris Bracket off Array Rail

3. Place display face down on a clean dry surface.
4. Place four 3/8" or 3/4" nylon spacers (190 or 200) over four mounting holes in display back (see Figure 11).
5. Align Centris head mounting holes with four nylon spacers (see Figure 11).
6. Secure Centris head to display using four M4 x 20mm Phillips pan head screws (170), or four M4 x 30mm Phillips pan head screws (180) (see Figure 11).

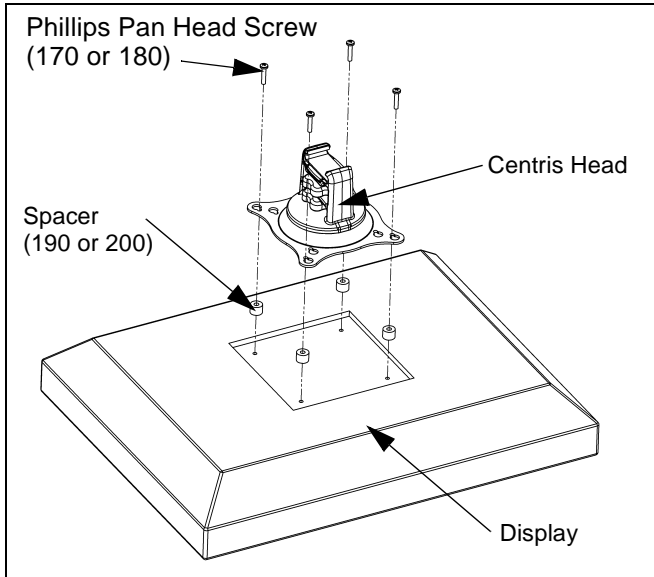


Figure 11: Mount Centris Bracket to Display

- Slide display with Centris bracket onto array rail (20, 30) (see Figure 12).

NOTE: Repeat previous steps for each additional display.

- Reinstall end locks into mounting rail using the 5/32" hex key (120) (see Figure 13).

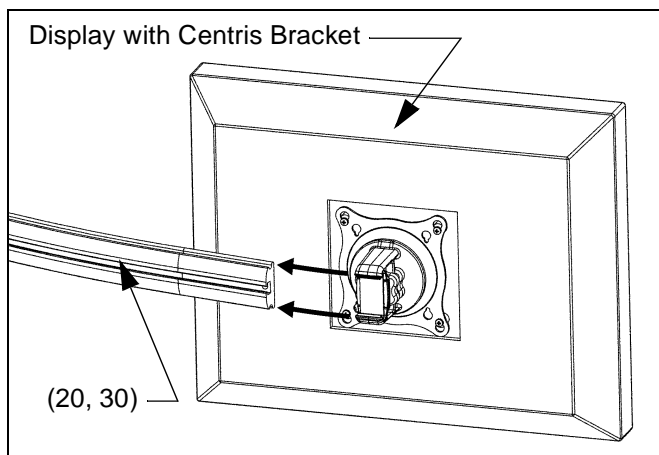


Figure 12: Mount Display with Centris Bracket to Array Rail

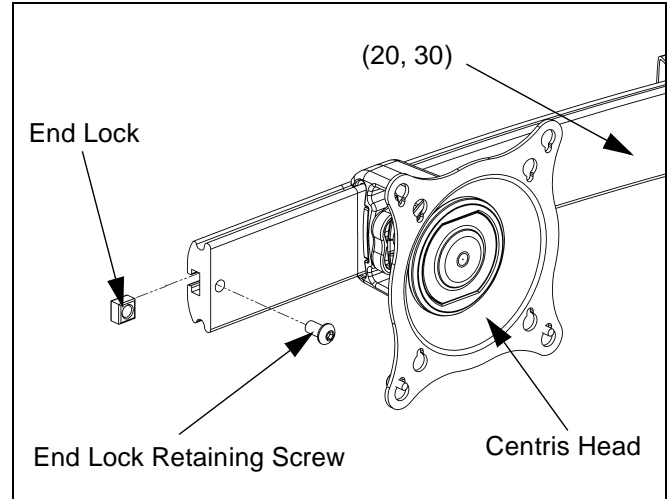


Figure 13: Reinstall End Lock(s)

ADJUSTMENTS

Display Adjustment

The KTG Series mount allows horizontal, pitch, and rotational adjustment of each display.

The KTG Series mount also allows a full 360 deg. of display rotation with a maximum pitch range of 15° up and 15° down.

Display Horizontal Position Adjustment

To adjust display horizontal position:

- Loosen Centris bracket rear adjustment knob (see Figure 14).
- Slide Centris bracket with display left or right until properly positioned on array rail.
- Tighten Centris bracket rear adjustment knob.

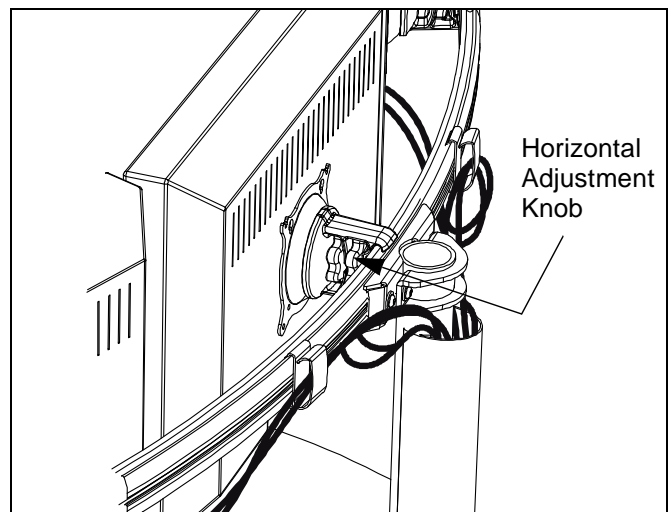


Figure 14: Display Horizontal Adjustment

Display Pitch and Roll Adjustment

To adjust display pitch or roll position:

1. Loosen Centris bracket front adjustment knob. (see Figure 15)
2. Tilt display up or down, or adjust display roll left or right until properly positioned.
3. Tighten Centris bracket front adjustment knob.

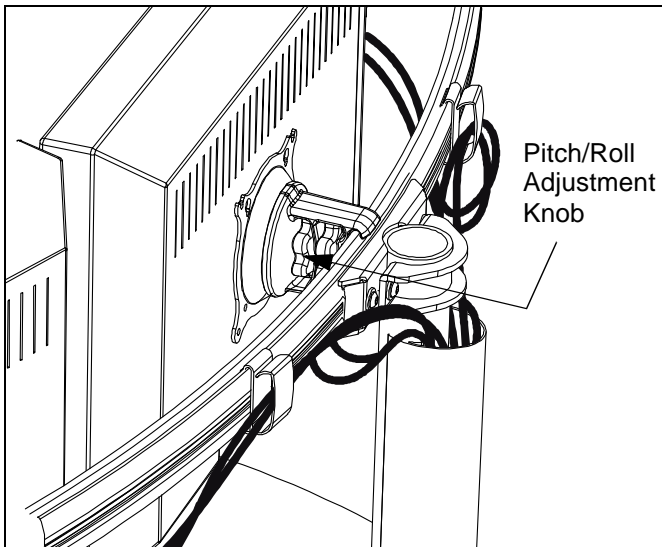


Figure 15: Display Pitch and Roll Adjustment

CABLE MANAGEMENT

The KTG Series mount includes cable management features used to properly route and secure display cables.

To use the cable management features:

1. Connect cables to display.
2. Route cables through cable clips on array rail.
3. Route cables down pole and away from mount and secure to pole using sheath (80).

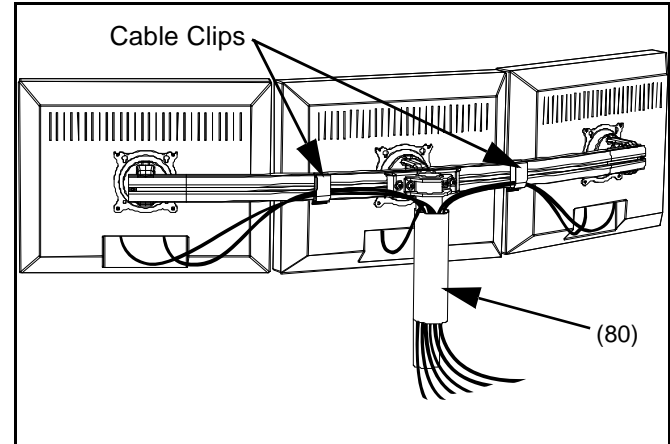


Figure 16: Cable Management