

**CHIEF MANUFACTURING INC.**  
**MOUNT ORDER NUMBER IS KWT-110**  
**PHONE: 1-800-582-6480**

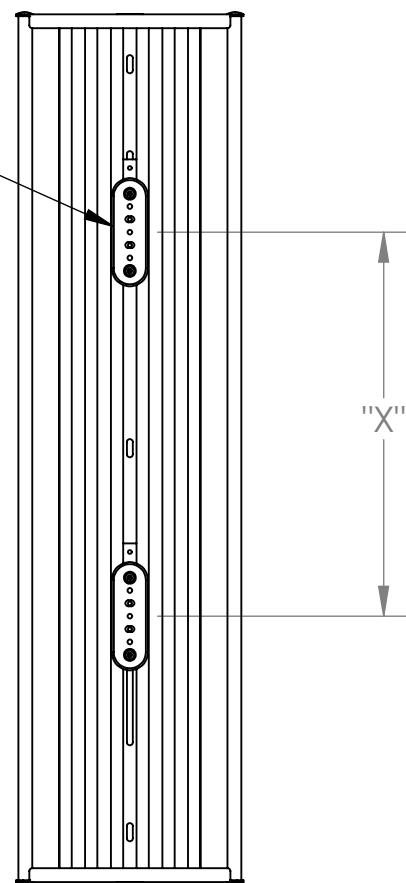
THE INFORMATION AND DESIGNS CONTAINED IN THIS DRAWING ARE CONFIDENTIAL AND THE PROPRIETARY PROPERTY OF CHIEF MFG., INC. NEITHER THIS DESIGN NOR ANY INFORMATION CONTAINED IN THIS DRAWING MAY BE REPRODUCED OR DISCLOSED TO OTHERS WITHOUT THE EXPRESS WRITTEN CONSENT OF CHIEF MFG., INC.

**CHIEF** MANUFACTURING, INC.  
 8401 EAGLE CREEK PKWY STE. 700, SAVAGE, MN 55378  
 1.800.582.6480 \* FAX 1.877.894.6918

TITLE  
**CUSTOMER PRINT ASSEMBLY, ALL-IN-ONE WORK STATION KWT-110**

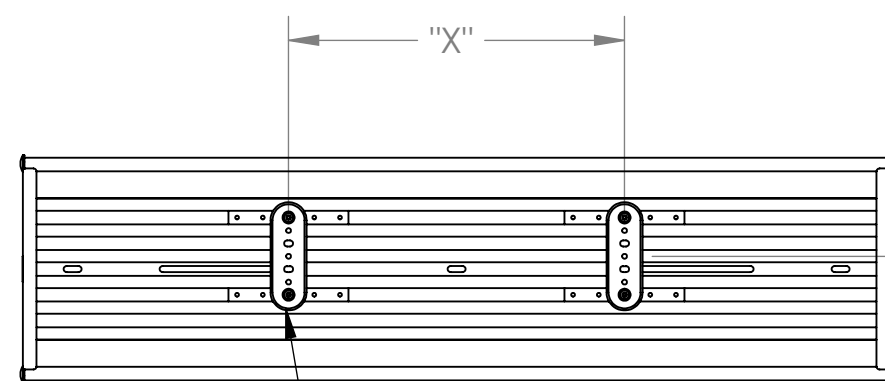
SIZE DWG. NO.  
**B KWT-110**

COMPONENT MOUNTING BRACKET



MINIMUM DISTANCE BETWEEN COMPONENT MOUNTING BRACKETS IN VERTICAL CONFIGURATION

INSTALLATION OPTIONS	X	AVAILABLE ADJUSTMENT
DRYWALL	16"	13"
STEEL STUD	8"	21"
WOOD STUD	8"	21"



[104]  
4.11  
DISTANCE TO THE CENTER OF THE COMPONENT MOUNTING BRACKET

MINIMUM DISTANCE BETWEEN COMPONENT MOUNTING BRACKETS IN HORIZONTAL CONFIGURATION

INSTALLATION OPTIONS	X	AVAILABLE ADJUSTMENT
STEEL STUD	8"	23"
WOOD STUD	8"	23"

COMPONENT MOUNTING BRACKET

**CHIEF MANUFACTURING INC.**  
MOUNT ORDER NUMBER IS KWT-110  
PHONE: 1-800-582-6480

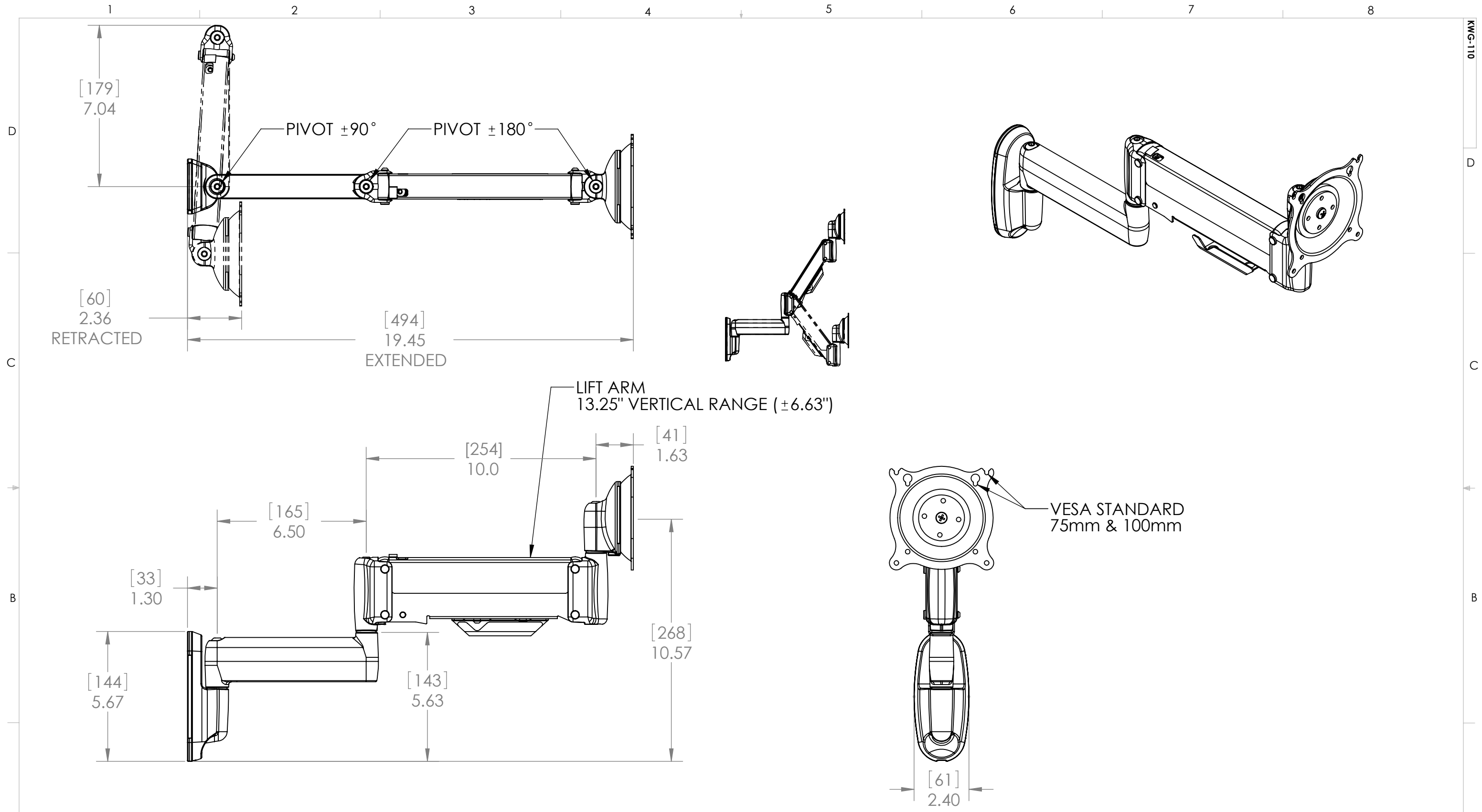


THE INFORMATION AND DESIGNS CONTAINED IN THIS DRAWING ARE CONFIDENTIAL AND THE PROPRIETARY PROPERTY OF CHIEF MFG., INC. NEITHER THIS DESIGN NOR ANY INFORMATION CONTAINED IN THIS DRAWING MAY BE REPRODUCED OR DISCLOSED TO OTHERS WITHOUT THE EXPRESS WRITTEN CONSENT OF CHIEF MFG., INC.

**CHIEF** MANUFACTURING, INC.  
8401 EAGLE CREEK PKWY STE. 700, SAVAGE, MN 55378  
1.800.582.6480 \* FAX 1.877.894.6918

TITLE **CUSTOMER PRINT ASSEMBLY, ALL-IN-ONE WORK STATION KWT-110**

SIZE | DWG. NO. **B | KWT-110**



**CHIEF MANUFACTURING INC.**  
**MOUNT ORDER NUMBER IS KWG-110**  
**PHONE: 1-800-582-6480**

SHEET SCALE = 1:4

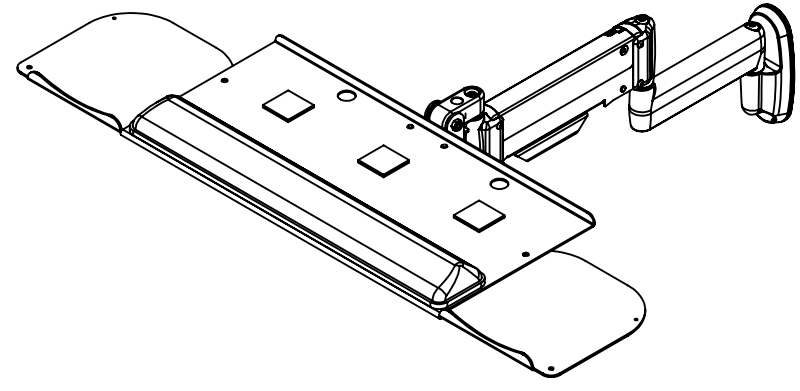
THE INFORMATION AND DESIGNS CONTAINED IN THIS DRAWING ARE CONFIDENTIAL AND THE PROPRIETARY PROPERTY OF CHIEF MFG., INC. NEITHER THIS DESIGN NOR ANY INFORMATION CONTAINED IN THIS DRAWING MAY BE REPRODUCED OR DISCLOSED TO OTHERS WITHOUT THE EXPRESS WRITTEN CONSENT OF CHIEF MFG., INC.



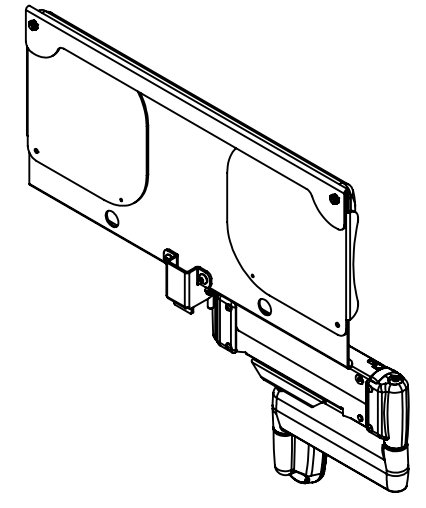
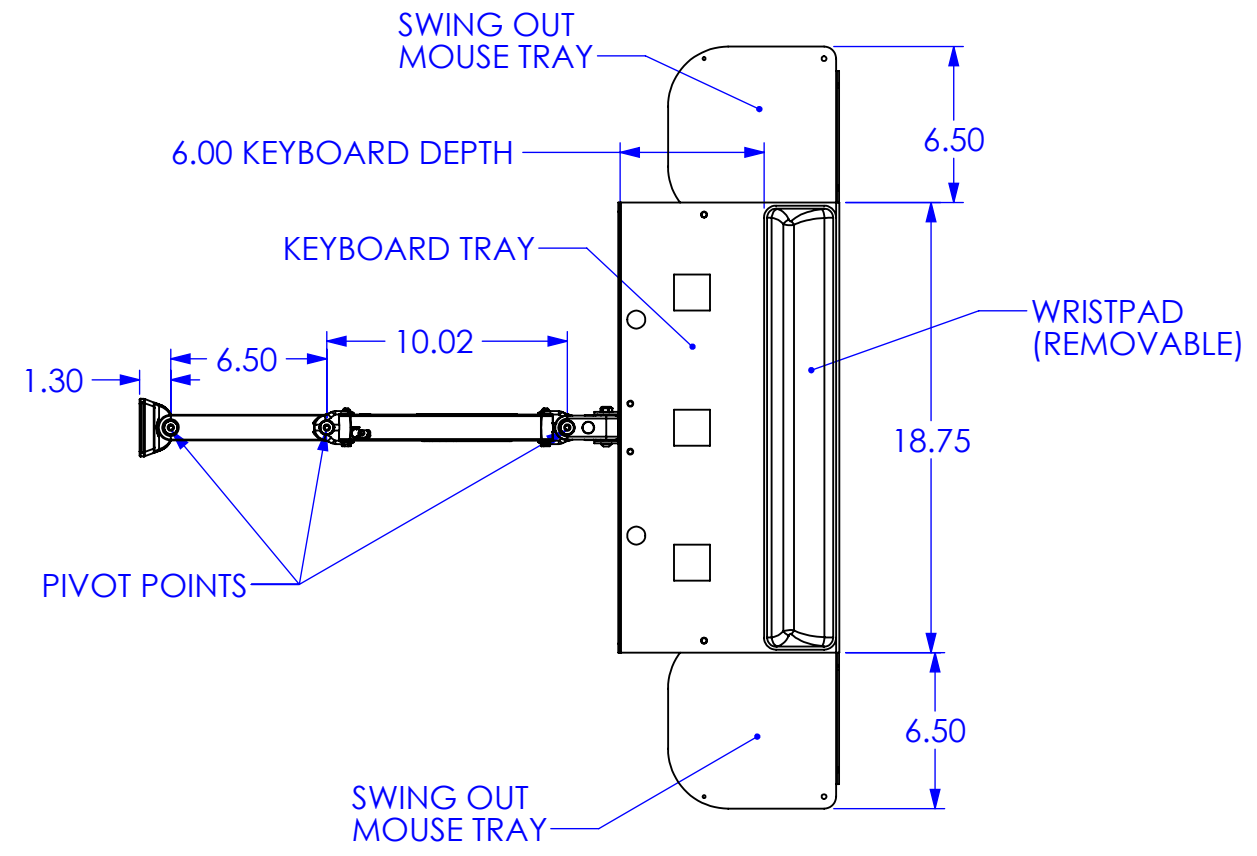
8401 EAGLE CREEK PKY  
 SUITE #700  
 SAVAGE, MN 55378  
 PHONE: 952-894-6280  
 FAX: 877-894-6918

TITLE  
**CUSTOMER PRINT**  
**KWG-110**

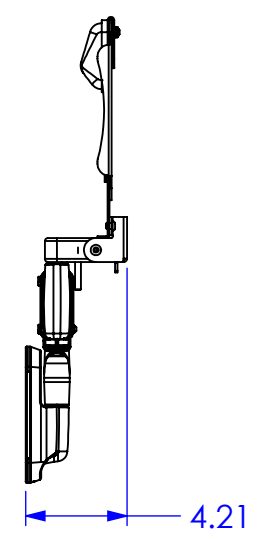
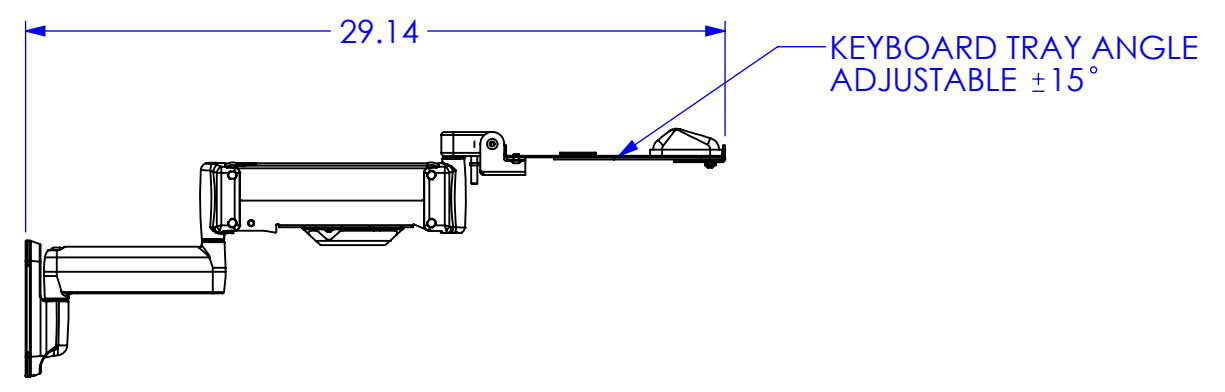
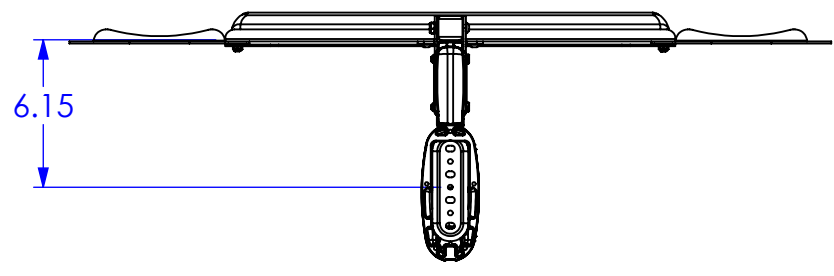
SIZE DWG. NO.  
**B KWG-110**



EXTENDED



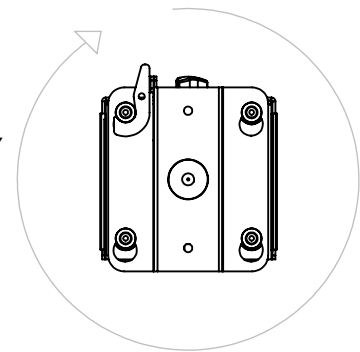
COLLAPSED



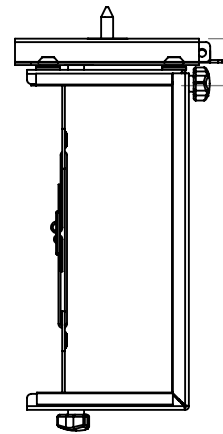
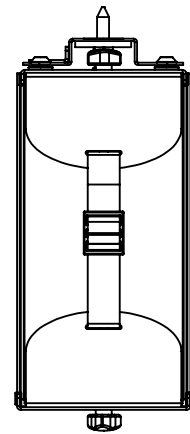
THE INFORMATION AND DESIGNS CONTAINED IN THIS DRAWING ARE CONFIDENTIAL AND THE PROPRIETARY PROPERTY OF MILESTONE AV TECHNOLOGIES NEITHER THIS DESIGN NOR ANY INFORMATION CONTAINED IN THIS DRAWING MAY BE REPRODUCED OR DISCLOSED TO OTHERS WITHOUT THE EXPRESS WRITTEN CONSENT OF MILESTONE AV TECHNOLOGIES.

CAD GENERATED DRAWING, DO NOT MANUALLY UPDATE.			<b>CHIEF</b>		6436 CITY WEST PKWY EDEN PRAIRIE MN, 55344 PHONE: 866-977-3901 FAX: 877-894-6918
DRAWN BY	MW	1/7/2013	DESCRIPTION		
ENG APPROVAL			KWK110		
MFG APPROVAL			MODEL NO.		
QA APPROVAL			KWK110		
SHEET 1 OF 1		SCALE	SIZE	DWG. NO.	REV.
		1:8	B	TECH-000135	00

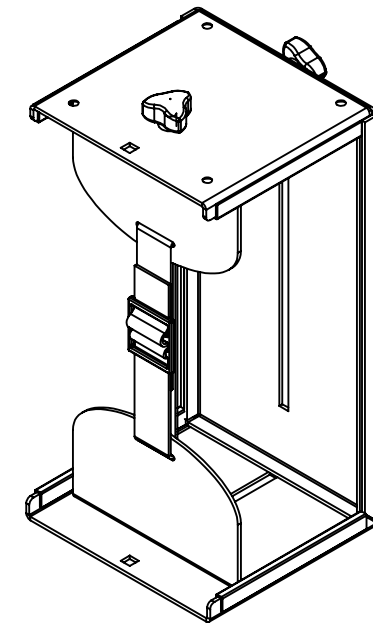
360°  
SWIVEL  
CAPABILITY



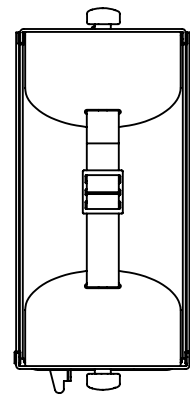
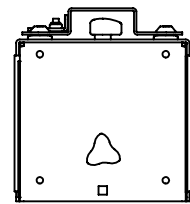
**-UNDER DESK MOUNTED CONFIGURATION**  
**\*ONLY AVAILABLE WITH KSA-1020 PRODUCT**  
**\*\*OPTION NOT AVAILABLE WITH KWT10 ALL IN ONE WORKSTATION**



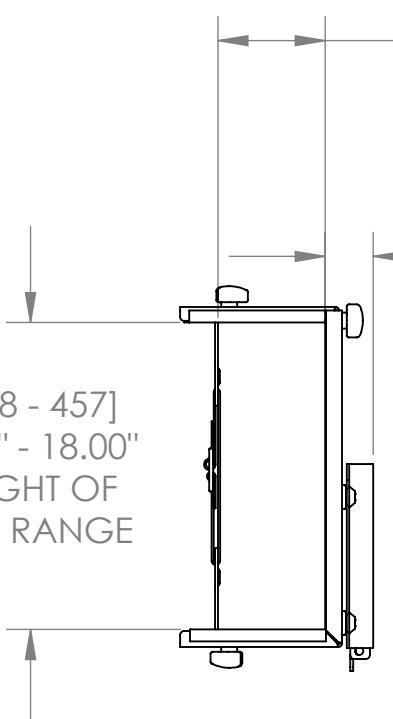
[37]  
1.46  
MOUNTING SURFACE  
TO CPU SURFACE



**WALL MOUNTED CONFIGURATION**



[248 - 457]  
9.75" - 18.00"  
HEIGHT OF  
CPU RANGE



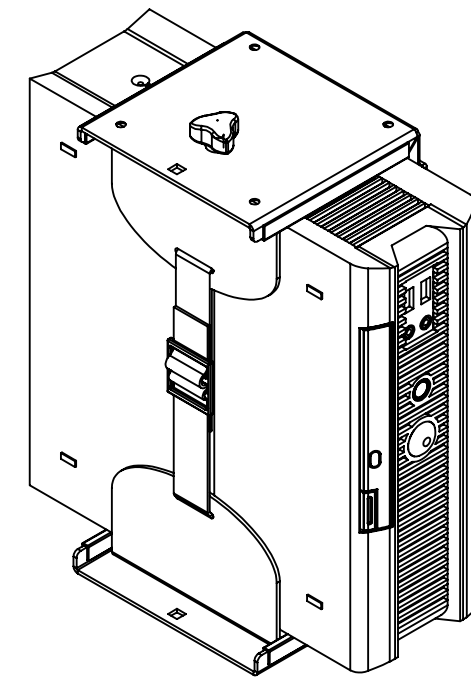
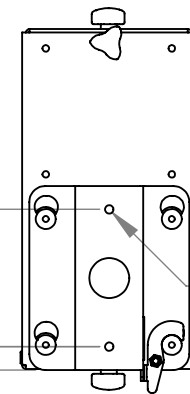
[0 - 191]  
0" - 7.50"  
WIDTH OF  
CPU RANGE

[38]  
1.50  
MOUNTING SURFACE  
TO CPU SURFACE

[109]  
4.29

[19]  
.73

[7]  
Ø.26  
MOUNTING  
HOLES



SHOWN WITH CPU INSTALLED



**CHIEF MANUFACTURING INC.**  
**MOUNT ORDER NUMBER IS KSA1020**  
**PHONE: 1-800-582-6480**

THE INFORMATION AND DESIGNS CONTAINED  
IN THIS DRAWING ARE CONFIDENTIAL AND THE  
PROPRIETARY PROPERTY OF CHIEF MFG., INC.  
NEITHER THIS DESIGN NOR ANY INFORMATION  
CONTAINED IN THIS DRAWING MAY BE  
REPRODUCED OR DISCLOSED TO OTHERS  
WITHOUT THE EXPRESS WRITTEN CONSENT OF  
CHIEF MFG., INC.

**CHIEF** MANUFACTURING, INC.  
8401 EAGLE CREEK PKWY STE. 700, SAVAGE, MN 55378  
1.800.582.6480 \* FAX 1.877.894.6918

TITLE  
**CUSTOMER PRINT  
ASSEMBLY,  
CPU MOUNT  
KSA1020**

SIZE DWG. NO.  
**B KSA1020**