

Keithley Instruments, Inc.  
28775 Aurora Road  
Cleveland, Ohio 44139  
1-888-KEITHLEY  
<http://www.keithley.com>

## Single Rack-Mount Kit Instructions

### Introduction

This document provides instructions for the Model 2290-10-RMK-1 single fixed rack-mount kit. The kit contains mounts needed to install one Model 2290-10 High Voltage Supply in a standard 19-inch rack. Hardware is included to attach the instruments to the rack ears (use existing hardware to mount the assembly into the rack).

### Parts list

The parts list below contains a description of the parts supplied with the Model 2290-5-RMK-1 single fixed rack-mount kit.

Item number	Quantity	Description	Use
1	2	Handle	Attached to rack ears
2	4	Truss head screws	Screws removed from the instrument to secure rack ears to instrument
3	4	Flat head screws	Handle
4	1	Rack ear	Instrument side rack ear
5	1	Rack ear	Blank side rack ear



## Installation

The next figure provides an exploded view of the rack mounting kit, the instrument, and the rack face. Step-by-step assembly and mounting instructions are given below.

### ⚠ CAUTION

Before installing the instrument in the rack, be sure that the rack angle bracket or shelf is in place and adjusted to accept and support the instrument. Under no circumstances should the instrument's entire weight be supported solely by the hardware and brackets supplied in the mounting kit.

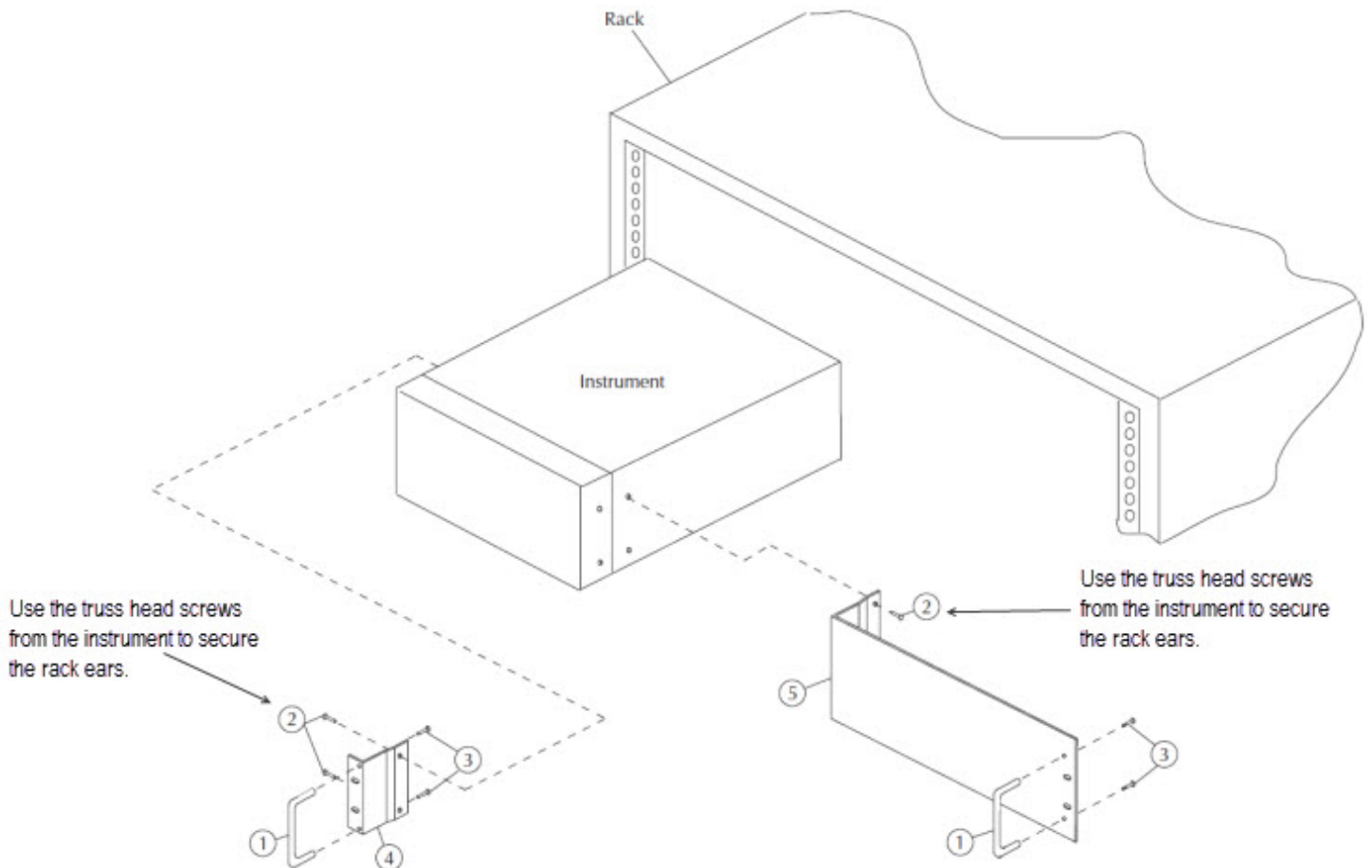
1. Mount handles (1) to both rack ears (4 and 5) securing each handle with two flat head screws (3).
2. Determine which side of the rack (left or right) will contain the instrument.
3. Install the instrument side rack ear (4) to the instrument and secure with two truss head screws that were removed from the instrument (2). The next figure shows the instrument mounted on the left side of the rack.

### NOTE

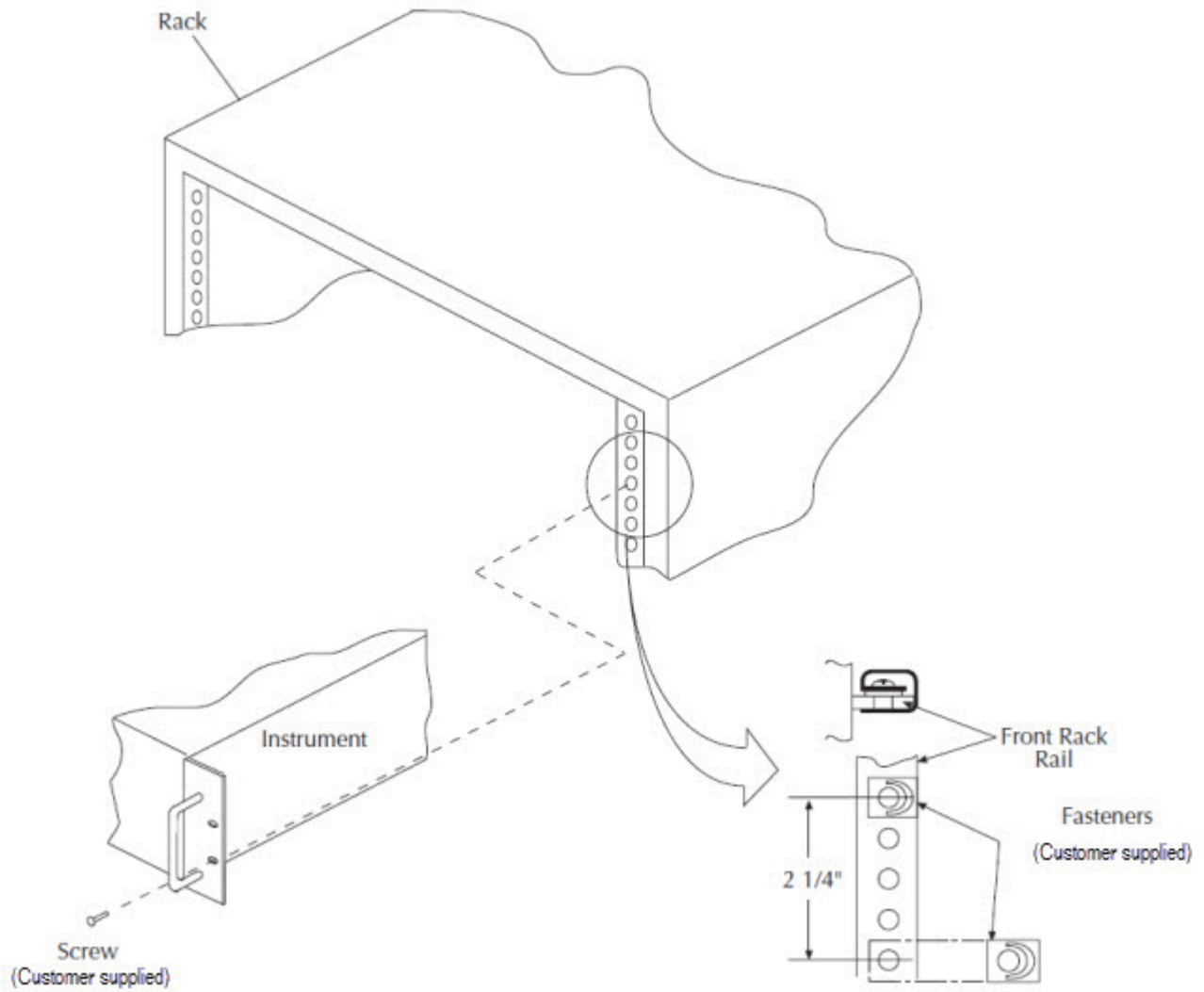
When you remove the truss head screws to install the rack ears, you will need to re-use the screws to secure the rack ears on the outside edge of each instrument.

4. Install the blank side rack ear (5) and secure with two truss head screws that were removed from the instrument (2).
5. Install assembly (instrument and installed rack ears) in the rack. Secure the assembly with existing hardware (see the next figures).

**Figure 1: Model 2290-10 single rack mount kit installation**



**Figure 2: Model 2290-10 suggested single rack fastener installation**



The next figure shows the hardware that you will receive with your rack mount kit. You can use this figure, the [Parts list](#) (on page 1), and the previous figures to ensure that you have all of the necessary hardware to mount your instruments.

**Figure 3: Model 2290-10 single rack mount kit hardware**

