

# Model 2015/2015P THD Multimeter

## User's Manual

2015-900-01 Rev. F / August 2003

**KEITHLEY**

A G R E A T E R M E A S U R E O F C O N F I D E N C E

---

# Model 2015/2015P THD Multimeter User's Manual

When this manual refers to the Model 2015 it is also referring to the Model 2015P. Information that pertains exclusively to the Model 2015P will be clearly indicated.

©1998, Keithley Instruments, Inc.  
All rights reserved.  
Cleveland, Ohio, U.S.A.  
Sixth Printing, August 2003  
Document Number: 2015-900-01 Rev. F

---

# Manual Print History

The print history shown below lists the printing dates of all Revisions and Addenda created for this manual. The Revision Level letter increases alphabetically as the manual undergoes subsequent updates. Addenda, which are released between Revisions, contain important change information that the user should incorporate immediately into the manual. Addenda are numbered sequentially. When a new Revision is created, all Addenda associated with the previous Revision of the manual are incorporated into the new Revision of the manual. Each new Revision includes a revised copy of this print history page.

Revision A (Document Number 2015-900-01) .....	May 1998
Revision B (Document Number 2015-900-01) .....	August 1998
Revision C (Document Number 2015-900-01) .....	June 1999
Revision D (Document Number 2015-900-01) .....	October 2000
Revision E (Document Number 2015-900-01) .....	December 2001
Revision F (Document Number 2015-900-01).....	August 2003

The following safety precautions should be observed before using this product and any associated instrumentation. Although some instruments and accessories would normally be used with non-hazardous voltages, there are situations where hazardous conditions may be present.

This product is intended for use by qualified personnel who recognize shock hazards and are familiar with the safety precautions required to avoid possible injury. Read and follow all installation, operation, and maintenance information carefully before using the product. Refer to the user documentation for complete product specifications. If the product is used in a manner not specified, the protection provided by the product warranty may be impaired.

The types of product users are:

**Responsible body** is the individual or group responsible for the use and maintenance of equipment, for ensuring that the equipment is operated within its specifications and operating limits, and for ensuring that operators are adequately trained.

**Operators** use the product for its intended function. They must be trained in electrical safety procedures and proper use of the instrument. They must be protected from electric shock and contact with hazardous live circuits.

**Maintenance personnel** perform routine procedures on the product to keep it operating properly, for example, setting the line voltage or replacing consumable materials. Maintenance procedures are described in the user documentation. The procedures explicitly state if the operator may perform them. Otherwise, they should be performed only by service personnel.

**Service personnel** are trained to work on live circuits, perform safe installations, and repair products. Only properly trained service personnel may perform installation and service procedures.

Keithley Instruments products are designed for use with electrical signals that are rated Measurement Category I and Measurement Category II, as described in the International Electrotechnical Commission (IEC) Standard IEC 60664. Most measurement, control, and data I/O signals are Measurement Category I and must not be directly connected to mains voltage or to voltage sources with high transient over-voltages. Measurement Category II connections require protection for high transient over-voltages often associated with local AC mains connections. Assume all measurement, control, and data I/O connections are for connection to Category I sources unless otherwise marked or described in the user documentation.

Exercise extreme caution when a shock hazard is present. Lethal voltage may be present on cable connector jacks or test fixtures. The American National Standards Institute (ANSI) states that a shock hazard exists when voltage levels greater than 30V RMS, 42.4V peak, or 60VDC are present. A good safety practice is to expect that hazardous voltage is present in any unknown circuit before measuring.

Operators of this product must be protected from electric shock at all times. The responsible body must ensure that operators are prevented access and/or insulated from every connection point. In some cases, connections must be exposed to potential human contact. Product operators in these circumstances must be trained to protect themselves from the risk of electric shock. If the circuit is capable of operating at or above 1000 volts, no conductive part of the circuit may be exposed.

Do not connect switching cards directly to unlimited power circuits. They are intended to be used with impedance-limited sources. NEVER connect switching cards directly to AC mains. When connecting sources to switching cards, install protective devices to limit fault current and voltage to the card.

Before operating an instrument, make sure the line cord is connected to a properly grounded power receptacle. Inspect the connecting cables, test leads, and jumpers for possible wear, cracks, or breaks before each use.

When installing equipment where access to the main power cord is restricted, such as rack mounting, a separate main input power disconnect device must be provided in close proximity to the equipment and within easy reach of the operator.

For maximum safety, do not touch the product, test cables, or any other instruments while power is applied to the circuit under test. ALWAYS remove power from the entire test system and discharge any capacitors before: connecting or disconnecting cables or jumpers, installing or removing switching cards, or making internal changes, such as installing or removing jumpers.

Do not touch any object that could provide a current path to the common side of the circuit under test or power line (earth) ground. Always make measurements with dry hands while standing on a dry, insulated surface capable of withstanding the voltage being measured.


The instrument and accessories must be used in accordance with specifications and operating instructions, or the safety of the equipment may be impaired.


Do not exceed the maximum signal levels of the instruments and accessories, as defined in the specifications and operating information, and as shown on the instrument or test fixture panels, or switching card.


When fuses are used in a product, replace with the same type and rating for continued protection against fire hazard.

Chassis connections must only be used as shield connections for measuring circuits, NOT as safety earth ground connections.

If you are using a test fixture, keep the lid closed while power is applied to the device under test. Safe operation requires the use of a lid interlock.


If a  screw is present, connect it to safety earth ground using the wire recommended in the user documentation.

The  symbol on an instrument indicates that the user should refer to the operating instructions located in the documentation.

The  symbol on an instrument shows that it can source or measure 1000 volts or more, including the combined effect of normal and common mode voltages. Use standard safety precautions to avoid personal contact with these voltages.

The  symbol on an instrument shows that the surface may be hot. Avoid personal contact to prevent burns.

The  symbol indicates a connection terminal to the equipment frame.

If this  symbol is on a product, it indicates that mercury is present in the display lamp. Please note that the lamp must be properly disposed of according to federal, state, and local laws.

The **WARNING** heading in the user documentation explains dangers that might result in personal injury or death. Always read the associated information very carefully before performing the indicated procedure.

The **CAUTION** heading in the user documentation explains hazards that could damage the instrument. Such damage may invalidate the warranty.

Instrumentation and accessories shall not be connected to humans.

Before performing any maintenance, disconnect the line cord and all test cables.

To maintain protection from electric shock and fire, replacement components in mains circuits - including the power transformer, test leads, and input jacks - must be purchased from Keithley Instruments. Standard fuses with applicable national safety approvals may be used if the rating and type are the same. Other components that are not safety-related may be purchased from other suppliers as long as they are equivalent to the original component (note that selected parts should be purchased only through Keithley Instruments to maintain accuracy and functionality of the product). If you are unsure about the applicability of a replacement component, call a Keithley Instruments office for information.

To clean an instrument, use a damp cloth or mild, water-based cleaner. Clean the exterior of the instrument only. Do not apply cleaner directly to the instrument or allow liquids to enter or spill on the instrument. Products that consist of a circuit board with no case or chassis (e.g., data acquisition board for installation into a computer) should never require cleaning if handled according to instructions. If the board becomes contaminated and operation is affected, the board should be returned to the factory for proper cleaning/servicing.

---

# Table of Contents

## 1 General Information

Introduction .....	1-2
Feature overview .....	1-2
Warranty information .....	1-3
Manual addenda .....	1-3
Safety symbols and terms .....	1-3
Specifications .....	1-4
Inspection .....	1-4
Options and accessories .....	1-4
General purpose probes .....	1-4
Low thermal probes .....	1-5
Cables and adapters .....	1-5
Rack mount kits .....	1-5
Carrying case .....	1-5

## 2 Basic Measurements

Introduction .....	2-2
Front panel summary .....	2-3
Rear panel summary .....	2-6
Power-up .....	2-8
Line power connection .....	2-8
Setting line voltage and replacing fuse .....	2-9
Power-up sequence .....	2-10
High energy circuit safety precautions .....	2-11
Power-on defaults .....	2-12
GPIB primary address .....	2-15
Warm-up time .....	2-15
Display .....	2-16
Status and error messages .....	2-16
Measuring voltage .....	2-16
Connections .....	2-16
Crest factor .....	2-17
Low level considerations .....	2-17
Measuring current .....	2-20
Connections .....	2-20
AMPS fuse replacement .....	2-21
Measuring resistance .....	2-22
Connections .....	2-22
Shielding .....	2-23

---

Measuring frequency and period .....	2-24
Trigger level .....	2-24
Gate time .....	2-24
Connections .....	2-25
Measuring temperature .....	2-26
Connections .....	2-26
Configuration .....	2-27
Math .....	2-27
MX + B .....	2-28
Percent .....	2-29
dBm calculation .....	2-30
dB calculation .....	2-31
Measuring continuity .....	2-32
Connections .....	2-32
Threshold resistance level .....	2-32
Testing diodes .....	2-33
Connections .....	2-33
Range .....	2-33
Measuring distortion .....	2-34
Configuration .....	2-35
Connections .....	2-40
Measurement examples .....	2-42
Analyzing frequency spectrum (Model 2015P only) .....	2-47
Peak commands .....	2-47
Operation overview .....	2-48
Typical peak analysis .....	2-48
Frequency list analysis .....	2-49
Peak analysis programming example .....	2-50
Delta programming example .....	2-52
Frequency list programming example .....	2-53
Measurement Queries .....	2-54
:FETCh? .....	2-54
:READ? .....	2-55
:MEAS:[function]? .....	2-55
[:SENSe[1]]:DATA:FRESH? .....	2-56
[:SENSe[1]]:DATA:LATest? .....	2-56
Examples .....	2-57

---

## 3 Measurement Options

Introduction .....	3-2
Measurement configuration .....	3-2
Range .....	3-2
Filter .....	3-3
Relative .....	3-5
Digits .....	3-5
Rate .....	3-6
Trigger operations .....	3-8
Trigger model .....	3-8
Reading hold (autosettle) .....	3-10
External triggering .....	3-11
Buffer operations .....	3-16
Storing readings .....	3-17
Recalling readings .....	3-17
Buffer statistics .....	3-18
Limit operations .....	3-18
Setting limit values .....	3-19
Enabling limits .....	3-20
Scan operations .....	3-21
Scanning overview .....	3-21
Front panel scanner controls .....	3-21
Stepping and scanning trigger model additions .....	3-21
Using SHIFT-CONFIG to configure stepping and scanning .....	3-23
Scanning examples .....	3-24
System operations .....	3-26
Calibration .....	3-26

## 4 Remote Operation

Introduction .....	4-2
Selecting an interface .....	4-2
RS-232 .....	4-3
GPIB bus .....	4-3
RS-232 operation .....	4-4
Sending and receiving data .....	4-4
Selecting baud rate .....	4-4
Selecting signal handshaking (flow control) .....	4-5
Setting terminator .....	4-5
RS-232 connections .....	4-6
Error messages .....	4-6



---

GPIB bus operation and reference .....	4-7
Introduction .....	4-7
GPIB bus standards .....	4-7
GPIB bus connections .....	4-8
Selecting the primary address .....	4-10
QuickBASIC 4.5 programming .....	4-10
General Bus Commands .....	4-12
Front panel GPIB operation .....	4-15
Status structure .....	4-16
Condition registers .....	4-17
Event registers .....	4-17
Enable registers .....	4-17
Queues .....	4-20
Status Byte and Service Request (SRQ) .....	4-21
Trigger model (GPIB operation) .....	4-24
Idle and initiate .....	4-25
Trigger model operation .....	4-25
Programming syntax .....	4-27
Command words .....	4-27
Query commands .....	4-29
Case sensitivity .....	4-29
Long-form and short-form versions .....	4-29
Short-form rules .....	4-30
Program messages .....	4-31
Response messages .....	4-33
Message exchange protocol .....	4-33
Common Commands .....	4-34
*CLS — Clear Status .....	4-35
*ESE <NRf> — Event Enable .....	4-35
*ESE? — Event Enable Query .....	4-35
*ESR? — Event Status Register Query .....	4-36
*IDN? — Identification Query .....	4-38
*OPC — Operation Complete .....	4-38
*OPC? — Operation Complete Query .....	4-40
*OPT? — Option Identification Query .....	4-41
*RCL — Recall .....	4-41
*RST — RESET .....	4-42
*SAV — Save .....	4-42
*SRE <NRf> — Service Request Enable .....	4-42
*SRE? — Service Request Enable Query .....	4-42
*STB? — Status Byte Query .....	4-44
*TRG — Trigger .....	4-45
*TST?-Self-Test Query .....	4-45
*WAI — Wait-to-Continue.....	4-46

---

## 5 SCPI Command Reference

SCPI Signal oriented measurement commands .....	5-2
CONFigure Command .....	5-2
FETCh? command .....	5-4
READ? command .....	5-5
MEASure command .....	5-6
SCPI command subsystems reference tables .....	5-7
Calculate subsystem .....	5-23
:CALCulate[1] .....	5-23
:CALCulate2 .....	5-25
:CALCulate3 .....	5-27
DISPlay subsystem .....	5-29
:FORMat subsystem .....	5-31
:DATA command .....	5-31
:BORDER command .....	5-34
:ELEMents command .....	5-35
OUTPut subsystem .....	5-36
ROUTE subsystem .....	5-38
[SENSe[1]] subsystem .....	5-39
:FUNCTion Command .....	5-39
:DATA command .....	5-40
:HOLD Command .....	5-40
Speed Commands .....	5-41
:RANGE commands .....	5-42
:REFERence <n> commands .....	5-44
:DIGits command .....	5-46
:AVERage commands .....	5-47
Bandwidth command .....	5-48
:THReshold commands .....	5-49
Thermocouple commands .....	5-49
:DIODE command .....	5-50
:CONTInuity command .....	5-50
:DISTortion commands .....	5-51
:PEAK commands (Model 2015P only) .....	5-55
STATus subsystem .....	5-58
[:EVENT]? command .....	5-59
:ENABle command .....	5-62
:CONDition? command .....	5-64
:PRESet command .....	5-64
:QUEue commands .....	5-65

---

:SYSTem subsystem .....	5-67
:BEEPer command .....	5-67
:PRESet command .....	5-67
:KCLick command .....	5-67
:POSetup <name> command .....	5-68
:FRSWitch? command .....	5-68
:VERSion? command .....	5-68
:ERRor? command .....	5-69
:AZERo commands .....	5-69
:CLEar command .....	5-70
:KEY <NRf> command .....	5-70
RS-232 interface commands .....	5-71
Line frequency query .....	5-72
:TRACe subsystem .....	5-72
:CLEar command .....	5-72
:FREE? command .....	5-72
:POINts command .....	5-72
:FEED command .....	5-73
:DATA? command .....	5-73
Trigger subsystem .....	5-74
:INITiate commands .....	5-74
:ABORt command .....	5-74
:TRIGger commands .....	5-75
:UNIT subsystem .....	5-77
:TEMPerature command .....	5-77
:VOLTagE commands .....	5-77
:DISToRTion commands .....	5-79

## A Specifications

Accuracy calculations .....	A-6
Calculating DC characteristics accuracy .....	A-6
Calculating AC characteristics accuracy .....	A-6
Calculating dBm characteristics accuracy .....	A-7
Calculating dB characteristics accuracy .....	A-8
Additional derating factors .....	A-8
Optimizing measurement accuracy .....	A-9
Optimizing measurement speed .....	A-9

## B Status and Error Messages

---

<b>C</b>	<b>Example Programs</b>	
	Program examples .....	C-2
	Changing function and range .....	C-2
	One-shot triggering .....	C-4
	Generating SRQ on buffer full .....	C-5
	Storing readings in buffer .....	C-6
	Taking readings using the :READ? command .....	C-8
	Controlling the Model 2015 via the RS-232 COM2 port ..	C-8
<b>D</b>	<b>IEEE-488 Bus Overview</b>	
	Introduction .....	D-2
	Bus description .....	D-4
	Bus lines .....	D-6
	Data lines .....	D-6
	Bus management lines .....	D-6
	Handshake lines .....	D-7
	Bus commands .....	D-8
	Uniline commands .....	D-9
	Universal multiline commands .....	D-9
	Addressed multiline commands .....	D-10
	Address commands .....	D-10
	Unaddress commands .....	D-10
	Common commands .....	D-11
	SCPI commands .....	D-11
	Command codes .....	D-11
	Typical command sequences .....	D-13
	IEEE command groups .....	D-14
	Interface function codes .....	D-15
<b>E</b>	<b>IEEE-488 and SCPI Conformance Information</b>	
	Introduction .....	E-2

---

---

# List of Illustrations

## 2 Basic Measurements

Figure 2-1	Model 2015 front panel .....	2-3
Figure 2-2	Model 2015 rear panel .....	2-6
Figure 2-3	Power module .....	2-8
Figure 2-4	DC and AC voltage measurements .....	2-17
Figure 2-5	DC and AC current measurements .....	2-20
Figure 2-6	Two- and four- wire resistance measurements .....	2-23
Figure 2-7	Frequency and period measurements .....	2-25
Figure 2-8	Thermocouple temperature measurements .....	2-26
Figure 2-9	Continuity measurements .....	2-32
Figure 2-10	Diode testing .....	2-33
Figure 2-11	Distortion measurements .....	2-41
Figure 2-12	DUT connections when using the internal sine source to stimulate a device .....	2-46
Figure 2-13	Peak analysis .....	2-48

## 3 Measurement Options

Figure 3-1	Moving average and repeating filters .....	3-4
Figure 3-2	Front panel triggering without stepping/scanning .....	3-8
Figure 3-3	Rear panel pinout .....	3-11
Figure 3-4	Trigger link input pulse specifications (EXT TRIG) .....	3-12
Figure 3-5	Trigger link output pulse specifications (VMC) .....	3-12
Figure 3-6	DUT test system .....	3-13
Figure 3-7	Trigger link connections .....	3-13
Figure 3-8	Operation model for triggering example .....	3-14
Figure 3-9	DIN to BNC trigger cable .....	3-16
Figure 3-10	Buffer locations .....	3-17
Figure 3-11	Using limit test to sort 100W, 10% resistors .....	3-20
Figure 3-12	Front panel triggering with stepping .....	3-22
Figure 3-13	Front panel triggering with scanning .....	3-22
Figure 3-14	External scanning example with Model 7001 .....	3-25

## 4 Remote Operation

Figure 4-1	RS-232 interface connector .....	4-6
Figure 4-2	IEEE-488 connector .....	4-8
Figure 4-3	IEEE-488 connections .....	4-8
Figure 4-4	IEEE-488 connector location .....	4-9

---

Figure 4-5	Model 2015 status register structure .....	4-16
Figure 4-6	Standard event status .....	4-18
Figure 4-7	Operation event status .....	4-18
Figure 4-8	Measurement event status .....	4-19
Figure 4-9	Questionable event status .....	4-19
Figure 4-10	Status byte and service request (SRQ) .....	4-21
Figure 4-11	Trigger model (remote operation) .....	4-24
Figure 4-12	Device action (trigger model) .....	4-26
Figure 4-13	Standard event enable register .....	4-36
Figure 4-14	Standard event status register .....	4-37
Figure 4-15	Service request enable register .....	4-43
Figure 4-16	Status byte register .....	4-45

## 5 SCPI Command Reference

Figure 5-1	ASCII data format .....	5-32
Figure 5-2	IEEE754 single precision data format (32 data bits) .....	5-32
Figure 5-3	IEEE754 double precision data format (64 data bits) .....	5-33
Figure 5-4	Measurement event register .....	5-60
Figure 5-5	Questionable event register .....	5-61
Figure 5-6	Operation event register .....	5-61
Figure 5-7	Measurement event enable register .....	5-63
Figure 5-8	Questionable event enable register .....	5-63
Figure 5-9	Operation event enable register .....	5-63
Figure 5-10	Key-press codes .....	5-71

## D IEEE-488 Bus Overview

Figure D-1	IEEE-488 bus configuration .....	D-5
Figure D-2	IEEE-488 handshake sequence .....	D-7
Figure D-3	Command codes .....	D-12

---

# List of Tables

## 2 Basic Measurements

Table 2-1	Fuse ratings .....	2-9
Table 2-2	Factory defaults .....	2-13
Table 2-3	PEAK commands .....	2-47
Table 2-4	Peak analysis programming example .....	2-51
Table 2-5	Delta programming example .....	2-52
Table 2-6	Frequency list programming example .....	2-53

## 3 Measurement Options

Table 3-1	Rate settings for the measurement functions .....	3-7
Table 3-2	Auto delay settings .....	3-9

## 4 Remote Operation

Table 4-1	RS-232 connector pinout .....	4-6
Table 4-2	General bus commands and associated statements .....	4-12
Table 4-3	IEEE-488.2 common commands and queries .....	4-34

## 5 SCPI Command Reference

Table 5-1	Signal oriented measurement command summary .....	5-2
Table 5-2	CALCulate command summary .....	5-8
Table 5-3	DISPlay command summary .....	5-9
Table 5-4	FORMat command summary .....	5-10
Table 5-5	OUTPut command summary .....	5-10
Table 5-6	ROUTE command summary .....	5-11
Table 5-7	SENSE command summary .....	5-11
Table 5-8	STATus command summary .....	5-19
Table 5-9	SYSTEM command summary .....	5-20
Table 5-10	TRACe command summary .....	5-20
Table 5-11	Trigger command summary .....	5-21
Table 5-12	UNIT command summary .....	5-22



---

## **B**                    **Status and Error Messages**

Table B-1	Status and error messages .....	B-2
-----------	---------------------------------	-----

## **D**                    **IEEE-488 Bus Overview**

Table D-1	IEEE-488 bus command summary .....	D-8
Table D-2	Hexadecimal and decimal command codes .....	D-11
Table D-3	Typical addressed command sequence .....	D-13
Table D-4	Typical addressed command sequence .....	D-13
Table D-5	IEEE command groups .....	D-14
Table D-6	Model 2015 interface function codes .....	D-15

## **E**                    **IEEE-488 and SCPI Conformance Information**

Table E-1	IEEE-488 documentation requirements .....	E-2
Table E-2	Coupled commands .....	E-3

---

# 1 General Information

# Introduction

**NOTES** *The Models 2015 and 2015P are almost identical in function. The exception is that the Model 2015P has the capability to analyze the frequency spectrum of a signal, while the Model 2015 does not.*

*Over the bus, the \*IDN? command can be used to identify the model number of the unit. The response message will be either Model 2015 or Model 2015P (see “Common commands” in Section 4).*

*When this manual refers to the Model 2015, it is also referring to the Model 2015P. Information that pertains exclusively to the Model 2015P will be clearly indicated.*

This section contains general information about the Model 2015 THD Multimeter. The information is organized as follows:

- Feature overview
- Warranty information
- Manual addenda
- Safety symbols and terms
- Specifications
- Inspection
- Options and accessories

If you have any questions after reviewing this information, please contact your local Keithley representative or call one of our Applications Engineers at 1-800-348-3735 (U.S. and Canada only). Worldwide phone numbers are listed at the front of this manual.

## Feature overview

The Model 2015 is a 6½-digit high-performance digital multimeter. It has 0.002% 90-day basic DC voltage accuracy and 0.008% 90-day basic resistance accuracy. At 6½-digits, the multimeter delivers 50 triggered readings/sec over the IEEE-488 bus. At 4½-digits, it can read up to 2000 readings/sec into its internal buffer. The Model 2015 has broad measurement ranges:

- THD, THD+n, and SINAD from 20Hz to 50kHz with 0.0001% (0.00001 dB) resolution.
- Frequency spectrum analysis from 20Hz to 50kHz (Model 2015P only).
- DC voltage from 0.1μV to 1000V.
- AC (RMS) voltage from 0.1μV to 750V, 1000V peak.
- DC current from 10nA to 3A.
- AC (RMS) current from 1μA to 3A.
- Two and four-wire resistance from 100μΩ to 120MΩ.
- Frequency from 3Hz to 500kHz.
- Thermocouple temperature from -200°C to +1372°C.

Some additional capabilities of the Model 2015 include:

- Full range of functions — In addition to those listed above, the Model 2015 functions include period, dB, dBm, continuity, diode testing, mX+b, and percent.
- Optional scanning — For external scanning, the Model 2015 is compatible with Keithley's Model 7001 and 7002 switch matrices and cards.
- Programming language and remote interfaces — The Model 2015 has the SCPI programming language and two remote interface ports (IEEE-488/GPIB and RS-232C).
- Reading and setup storage — Up to 1024 readings and two setups (user and factory defaults) can be stored and recalled.
- Closed-cover calibration — The instrument can be calibrated either from the front panel or remote interface.

## Warranty information


Warranty information is located at the front of this instruction manual. Should your Model 2015 require warranty service, contact the Keithley representative or authorized repair facility in your area for further information. When returning the instrument for repair, be sure to fill out and include the service form at the back of this manual to provide the repair facility with the necessary information.


## Manual addenda

Any improvements or changes concerning the instrument or manual will be explained in an addendum included with the manual. Be sure to note these changes and incorporate them into the manual.

## Safety symbols and terms

The following symbols and terms may be found on the instrument or used in this manual.

The  symbol on the instrument indicates that the user should refer to the operating instructions located in the manual.

The  symbol on the instrument shows that high voltage may be present on the terminal(s). Use standard safety precautions to avoid personal contact with these voltages.

The **WARNING** heading used in this manual explains dangers that might result in personal injury or death. Always read the associated information very carefully before performing the indicated procedure.

The **CAUTION** heading used in this manual explains hazards that could damage the instrument. Such damage may invalidate the warranty.

# Specifications

Full Model 2015 specifications are included in Appendix A.

# Inspection

The Model 2015 was carefully inspected electrically and mechanically before shipment. After unpacking all items from the shipping carton, check for any obvious signs of physical damage that may have occurred during transit. (Note: There may be a protective film over the display lens, which can be removed.) Report any damage to the shipping agent immediately. Save the original packing carton for possible future reshipment. The following items are included with every Model 2015 order:

- Model 2015 THD Multimeter with line cord.
- Safety test leads (Model 1751).
- Accessories as ordered.
- Certificate of calibration.
- Product Information CD-ROM that contains a PDF of the Model 2015/2015P User's Manual.

If an additional manual is required, order the appropriate manual package. The manual packages include a manual and any pertinent addenda.

# Options and accessories

The following options and accessories are available from Keithley for use with the Model 2015.

## General purpose probes

**Model 1754 Universal Test Lead Kit:** Consists of one set of test leads (0.9m), two spade lugs, two banana plugs, two hooks, and two alligator clips.

**Model 8605 High Performance Modular Test Leads:** Consists of two high voltage (1000V) test probes and leads. The test leads are terminated with a banana plug with retractable sheath on each end.

**Model 8606 High Performance Probe Tip Kit:** Consists of two spade lugs, two alligator clips, and two spring hook test probes. (The spade lugs and alligator clips are rated at 30V RMS, 42.4V peak; the test probes are rated at 1000V.) These components are for use with high performance test leads terminated with banana plugs, such as the Model 8605.

The following test leads and probes are rated at 30V RMS, 42.4V peak:

**Models 5805 and 5805-12 Kelvin Probes:** Consists of two spring-loaded Kelvin test probes with banana plug termination. Designed for instruments that measure 4-terminal resistance. The Model 5805 is 0.9m long; the Model 5805-12 is 3.6m long.

**Model 5806 Kelvin Clip Lead Set:** Includes two Kelvin clip test leads (0.9m) with banana plug termination. Designed for instruments that measure 4-terminal resistance. A set of eight replacement rubber bands is available as Keithley P/N GA-22.

**Model 8604 SMD Probe Set:** Consists of two test leads (0.9m), each terminated with a surface mount device “grabber” clip on one end and a banana plug with a retractable sheath on the other end.

## Low thermal probes

**Model 8610 Low Thermal Shorting Plug:** Consists of four banana plugs mounted to a 1-inch square circuit board, interconnected to provide a short circuit among all plugs.

## Cables and adapters

**Models 7007-1 and 7007-2 Shielded GPIB Cables:** Connect the Model 2015 to the GPIB bus using shielded cables and connectors to reduce electromagnetic interference (EMI). The Model 7007-1 is 1m long; the Model 7007-2 is 2m long.

**Models 8501-1 and 8501-2 Trigger Link Cables:** Connect the Model 2015 to other instruments with Trigger Link connectors (e.g., Model 7001 Switch System). The Model 8501-1 is 1m long; the Model 8501-2 is 2m long.

**Model 8502 Trigger Link Adapter:** Allows you to connect any of the six Trigger Link lines of the Model 2015 to instruments that use the standard BNC trigger connectors.

**Model 8504 DIN to BNC Trigger Cable:** Allows you to connect Trigger Link lines one (Voltmeter Complete) and two (External Trigger) of the Model 2015 to instruments that use BNC trigger connectors. The Model 8504 is 1m long.

## Rack mount kits

**Model 4288-1 Single Fixed Rack Mount Kit:** Mounts a single Model 2015 in a standard 19-inch rack.

**Model 4288-2 Side-by-Side Rack Mount Kit:** Mounts two instruments (Models 182, 428, 486, 487, 2000, 2001, 2002, 2010, 2015, 6517, 7001) side-by-side in a standard 19-inch rack.

**Model 4288-3 Side-by-Side Rack Mount Kit:** Mounts a Model 2015 and a Model 199 side-by-side in a standard 19-inch rack.

**Model 4288-4 Side-by-Side Rack Mount Kit:** Mounts a Model 2015 and a 5.25-inch instrument (Models 195A, 196, 220, 224, 230, 263, 595, 614, 617, 705, 740, 775, etc.) side-by-side in a standard 19-inch rack.

## Carrying case

**Model 1050 Padded Carrying Case:** A carrying case for a Model 2015. Includes handles and shoulder strap.



---

# 2 Basic Measurements



# Introduction

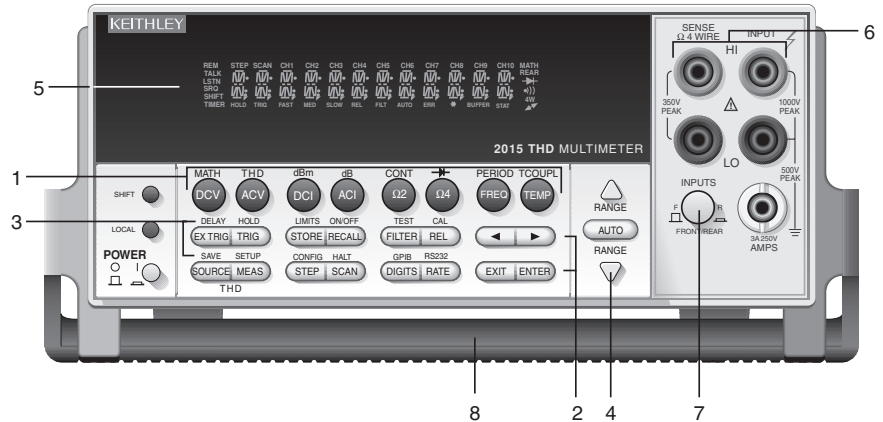
This section summarizes front panel operation of the Model 2015. It is organized as follows:

- **Front panel summary** — Includes an illustration and summarizes keys, display, and connections.
- **Rear panel summary** — Includes an illustration and summarizes connections.
- **Power-up** — Describes connecting the instrument to line power, the power-up sequence, the warm-up time, and default conditions.
- **Display** — Discusses the display format and messages that may appear while using the instrument.
- **Measuring voltage** — Covers DC and AC voltage measurement connections and low level voltage considerations.
- **Measuring current** — Covers DC and AC current measurement connections and current fuse replacement.
- **Measuring resistance** — Details two and four-wire measurement connections and shielding considerations.
- **Measuring frequency and period** — Covers frequency and period measurement connections.
- **Measuring temperature** — Describes the use of thermocouples for temperature measurements.
- **Math** — Covers the  $mX+b$ , percent, dBm, and dB math functions performed on single readings.
- **Measuring continuity** — Explains setting up and measuring continuity of a circuit.
- **Testing diodes** — Describes testing general-purpose and zener diodes.
- **Measuring distortion** — Explains how to measure total harmonic distortion and the calculations used.
- **Analyzing frequency spectrum (Model 2015P only)** — Explains how to use the Model 2015P to analyze the frequency spectrum of a signal over the bus.

# Front panel summary

The front panel of the Model 215 is shown in [Figure 2-1](#). This figure includes important abbreviated information that should be reviewed before operating the instrument.

*Figure 2-1*  
Model 215 front panel



## 1 Function keys (shifted and unshifted)

Select measurement function (DC and AC voltage, DC and AC current, 2-wire and 4-wire resistance, frequency, period, temperature with thermocouples), math function (mX+b, %, dBm, dB), THD (total harmonic distortion) or special function (continuity, diode test).

## 2 Operation keys

EXTRIG	Selects external triggers (front panel, bus, trigger link) as the trigger source.
TRIG	Triggers a measurement from the front panel.
STORE	Enables reading storage.
RECALL	Displays stored readings and buffer statistics (maximum, minimum, average, standard deviation). Use ▲ and ▼ to scroll through buffer; use ◀ and ▶ to toggle between reading number and reading.
FILTER	Displays digital filter status for present function and toggles filter on/off.
REL	Enables/disables relative reading on present function (not applicable for distortion measurements).
◀ and ▶	Moves through selections within functions and operations. If scanner card installed, manually scans channels.
THD SOURCE	Selects and configures the internal function generator.
THD MEAS	Configures distortion measurements.
STEP	Steps through channels; sends a trigger after each channel.
SCAN	Scans through channels; sends a trigger after last channel.
DIGITS	Changes number of digits of resolution.
RATE	Changes reading rate: fast, medium, slow.
EXIT	Cancels selection, moves back to measurement display.
ENTER	Accepts selection, moves to next choice or back to measurement display.
SHIFT	Used to access shifted keys.
LOCAL	Cancels GPIB remote mode.

### 3 Shifted operation keys

DELAY	Sets user delay between trigger and measurement.
HOLD	Holds reading when the selected number of samples is within the selected tolerance.
LIMITS	Sets upper and lower limit values for readings.
ON/OFF	Enables/disables limits; selects beeper operation for limit testing.
TEST	Selects built-in tests, diagnostics, display test.
CAL	Accesses calibration.
SAVE	Saves present configuration for power-on user default.
SETUP	Restores factory or user default configuration.
CONFIG	Selects minimum/maximum channels, timer, and reading count for step/scan.
HALT	Turns off step/scan.
GPIB	Enables/disables GPIB interface; selects address and language.
RS232	Enables/disables RS-232 interface; selects baud rate, flow control, terminator.

### 4 Range keys

▲	Moves to higher range; increments digit; moves to next selection.
▼	Moves to lower range; decrements digit; moves to previous selection.
AUTO	Enables/disables autorange. SHIFT-AUTO displays the most recent error message.

### 5 Annunciators

*	(asterisk)	Reading being stored.
→	(diode)	Instrument is in diode testing function.
)))	(speaker)	Beeper on for continuity or limits testing.
↗	(more)	Indicates additional selections are available.
4W		4-wire resistance reading displayed.
AUTO		Autoranging enabled.
BUFFER		Recalling stored readings.
ERR		Questionable reading; invalid cal step.
FAST		Fast reading rate.
FILT		Digital filter enabled.
HOLD		Instrument is in hold mode.
LSTN		Instrument addressed to listen over GPIB.
MATH		Math function (mX+b, %, dB, dBm) enabled.
MED		Medium reading rate.
REAR		Reading acquired from rear inputs.
REL		Relative reading displayed.
REM		Instrument is in GPIB remote mode.
SCAN		Instrument is in scan mode.
SHIFT		Accessing shifted keys.
SLOW		Slow reading rate.
SRQ		Service request over GPIB.
STAT		Displaying buffer statistics.
STEP		Instrument is in step mode.
TALK		Instrument addressed to talk over GPIB.
TIMER		Timed scans in use.
TRIG		Indicates external trigger (front panel, bus, trigger link) selected.

**6 Input connections**

INPUT HI and LO	Used for making DC volts, AC volts, 2-wire resistance measurements.
AMPS	Used in conjunction with INPUT LO to make DC current and AC current measurements. Also holds current input fuse (3A, 250V, fast blow, 5×20mm).
SENSE $\Omega$ 4 WIRE HI and LO	Used with INPUT HI and LO to make 4-wire resistance measurements.

**7 INPUTS**

Selects input connections on front or rear panel.

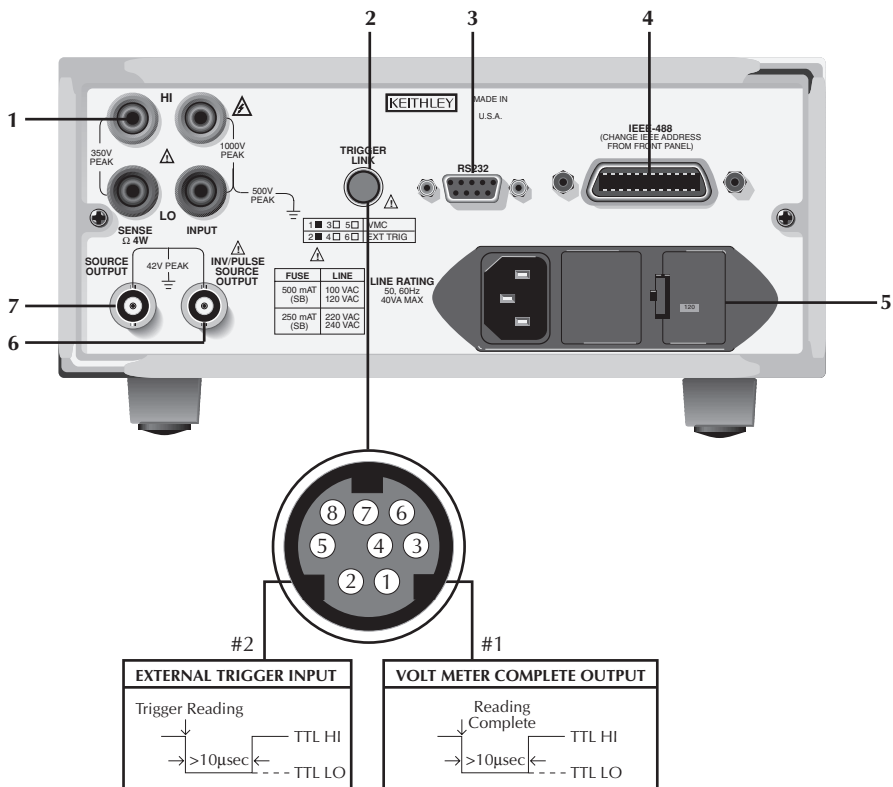
**8 Handle**

Pull out and rotate to desired position.

# Rear panel summary

The rear panel of the Model 2015 is shown in [Figure 2-2](#). This figure includes important abbreviated information that should be reviewed before operating the instrument.

*Figure 2-2*  
Model 2015 rear panel



**1 Input connections**

INPUT HI and LO Used for making DC volts, AC volts, 2-wire resistance measurements and for connecting scanner card.

SENSE  $\Omega$ 4 WIRE HI and LO Used with INPUT HI and LO to make 4-wire resistance measurements and also for connecting scanner card.

**2 TRIGGER LINK**

One 8-pin micro-DIN connector for sending and receiving trigger pulses among other instruments. Use a trigger link cable or adapter, such as Models 8501-1, 8501-2, 8502, 8504.

**3 RS-232**

Connector for RS-232 operation. Use a straight-through (not null modem) DB-9 cable.

**4 IEEE-488**

Connector for IEEE-488 (GPIB) operation. Use a shielded cable, such as Models 7007-1 and 7007-2.

**5 Power module**

Contains the AC line receptacle, power line fuse, and line voltage setting. The Model 2015 can be configured for line voltages of 100V/120V/220V/240VAC at line frequencies of 45Hz to 66Hz.

**6. INV/PULSE SOURCE OUTPUT**

A BNC connector that provides an inverted sine wave or pulsed output for exciting devices under test during distortion measurement or for general purpose use. This connector also may provide a square wave pulse for triggering or synchronizing other systems to the SOURCE OUTPUT sine wave.

**7 SOURCE OUTPUT**

A BNC connector that provides a sine wave output for exciting devices under test during distortion measurement or for general purpose use.

# Power-up

## Line power connection

Follow the procedure below to connect the Model 2015 to line power and turn on the instrument.

1. Check to see that the line voltage selected on the rear panel (see [Figure 2-3](#)) is correct for the operating voltage in your area. If not, refer to the next procedure, “Setting line voltage and replacing fuse.”

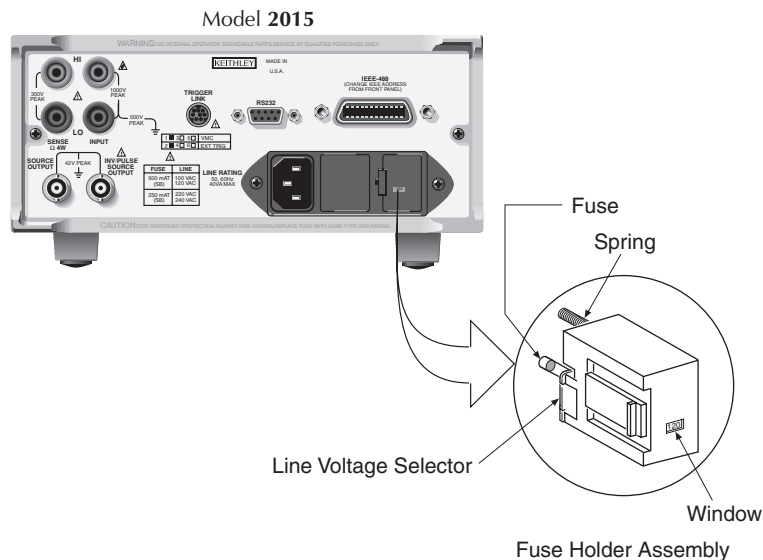
**CAUTION** Operating the instrument on an incorrect line voltage may cause damage to the instrument, possibly voiding the warranty.

2. Before plugging in the power cord, make sure that the front panel power switch is in the off (0) position.
3. Connect the female end of the supplied power cord to the AC receptacle on the rear panel. Connect the other end of the power cord to a grounded AC outlet.

**WARNING** The power cord supplied with the Model 2015 contains a separate ground wire for use with grounded outlets. When proper connections are made, instrument chassis is connected to power line ground through the ground wire in the power cord. Failure to use a grounded outlet may result in personal injury or death due to electric shock.

4. Turn on the instrument by pressing the front panel power switch to the on (1) position.

**Figure 2-3**  
Power module



## Setting line voltage and replacing fuse

A rear panel fuse located next to the AC receptacle protects the power line input of the instrument. If the line voltage setting needs to be changed or the line fuse needs to be replaced, perform the following steps.

**WARNING** Make sure the instrument is disconnected from the AC line and other equipment before changing the line voltage setting or replacing the line fuse.

1. Place the tip of a flat-blade screwdriver into the power module by the fuse holder assembly (see [Figure 2-3](#)). Gently push in and to the left. Release pressure on the assembly and its internal spring will push it out of the power module.
2. Remove the fuse and replace it with the type listed in [Table 2-1](#).

**CAUTION** For continued protection against fire or instrument damage, only replace fuse with the type and rating listed. If the instrument repeatedly blows fuses, locate and correct the cause of the trouble before replacing the fuse. See the optional Model 2015 Service Manual for troubleshooting information.

3. If configuring the instrument for a different line voltage, remove the line voltage selector from the assembly and rotate it to the proper position. When the selector is installed into the fuse holder assembly, the correct line voltage appears inverted in the window.
4. Install the fuse holder assembly into the power module by pushing it in until it locks in place.

**Table 2-1**  
Fuse ratings

Line voltage	Fuse rating	Keithley P/N
100/120V	0.5A, 250V, slo-blo, 5 × 20 mm	FU-71
220/240V	0.25A, 250V, slo-blo, 5 × 20 mm	FU96-4



## Power-up sequence

On power-up, the Model 2015 performs self-tests on its EPROM and RAM and momentarily lights all segments and annunciators. If a failure is detected, the instrument momentarily displays an error message and the ERR annunciator turns on. (Error messages are listed in Appendix B.)

*NOTE* If a problem develops while the instrument is under warranty, return it to Keithley Instruments, Inc., for repair.

If the instrument passes the self-tests, the firmware revision levels are displayed. An example of this display is:

REV: A01 A02

where: A01 is the main board ROM revision.  
A02 is the display board ROM revision.

*NOTE* The unit will display *USER SETUP* during power-up if a user setup has been saved.

After the power-up sequence, the instrument begins its normal display of readings.

## High energy circuit safety precautions

To optimize safety when measuring voltage in high energy distribution circuits, read and use the directions in the following warning.

**WARNINGS** Dangerous arcs of an explosive nature in a high energy circuit can cause severe personal injury or death. If the multimeter is connected to a high energy circuit when set to a current range, low resistance range, or any other low impedance range, the circuit is virtually shorted. Dangerous arcing can result even when the multimeter is set to a voltage range if the minimum voltage spacing is reduced in the external connections.

- When making measurements in high energy circuits, use test leads that meet the following requirements:
- Test leads should be fully insulated.
- Only use test leads that can be connected to the circuit (e.g., alligator clips, spade lugs, etc.) for hands-off measurements.
- Do not use test leads that decrease voltage spacing. These diminishes arc protection and create a hazardous condition.

Use the following sequence when testing power circuits:

1. De-energize the circuit using the regular installed connect-disconnect device, such as a circuit breaker, main switch, etc.
2. Attach the test leads to the circuit under test. Use appropriate safety rated test leads for this application.
3. Set the multimeter to the proper function and range.
4. Energize the circuit using the installed connect-disconnect device and make measurements without disconnecting the multimeter.
5. De-energize the circuit using the installed connect-disconnect device.
6. Disconnect the test leads from the circuit under test.

The maximum common-mode voltage (voltage between INPUT LO and the chassis ground) is 500V peak. Exceeding this value may cause a breakdown in insulation, creating a shock hazard.

The maximum common-mode voltage (voltage between SOURCE OUTPUT and the chassis ground, and INV/PULSE SOURCE OUTPUT and the chassis ground) is 42V peak. Exceeding this value may cause a breakdown in insulation, creating a shock hazard.

## Power-on defaults

Power-on defaults are the settings the instrument assumes when it is turned on. The Model 2015 offers two choices for the settings: factory and user. The power-on default will be the last configuration you saved. The SAVE and SETUP keys select the two choices of power-on defaults.

To save present configuration as user settings:

1. Configure the instrument as desired for USER default.
2. Press SHIFT then SAVE.
3. Use the ▲ and ▼ keys to select FACTory or USER.
4. Press ENTER.

*NOTE* The unit will display *USER SETUP* during power-up if a user setup has been saved.

To restore factory or user settings:

1. Press SHIFT then SETUP.
2. Use the ▲ and ▼ keys to select FACTory or USER.
3. Press ENTER.

Since the basic measurement procedures in this manual assume the factory defaults, reset the instrument to the factory settings when following step-by-step procedures. [Table 2-2](#) lists the factory default settings.

**Table 2-2**  
*Factory defaults*

Setting	Factory default
Autozero	On
Buffer	No effect
Continuity	
Beeper	On
Digits	4H
Rate	Fast (0.1 PLC)
Threshold	10Ω
Current (AC and DC)	
Digits (AC)	5½
Digits (DC)	6½
Filter	On
Count	10
Mode	Moving average
Range	Auto
Relative	Off
Value	0.0
Rate (AC)	Medium*
Rate (DC)	Medium (1 PLC)
Diode test	
Digits	6½
Range	1mA
Rate	Medium (1 PLC)
Distortion	
Measurement type	THD
Frequency	Auto
Number of harmonics	2
Units	Percent
Shaping filter	None
Fundamental frequency	60Hz
Bandpass filter	
Low cutoff	20Hz
State	Off
High cutoff	50kHz
State	Off
Frequency and Period	
Digits	6½
Range	10V
Relative	Off
Value	0.0
Rate	Slow (1 sec)
Function	DCV

Table 2-2 (cont.)

Factory defaults

Setting	Factory default
GPIB	No effect
Address	(16 at factory)
Limits	Off
Beeper	Never
High limit	+1
Low limit	-1
mX+b	Off
Scale factor	1.0
Offset	0.0
Percent	Off
References	1.0
Resistance (2-wire and 4-wire)	
Digits	6½
Filter	On
Count	10
Mode	Moving average
Range	Auto
Relative	Off
Value	0.0
Rate	Medium (1 PLC)
RS-232	Off
Baud	No effect
Flow	No effect
Tx term	No effect
Scanning	Off
Source output	Off
Sine wave frequency	60Hz
Sine wave output impedance	50Ω
Sine wave amplitude	0.5Vrms with 50Ω impedance
Sine wave channel 2 shape	Inverted sine
Temperature	
Digits	5½
Filter	On
Count	10
Mode	Moving average
Junction	Simulated
Temperature	23°C
Relative	Off
Value	0.0
Rate	Medium (1 PLC)
Thermocouple	J
Units	°C

**Table 2-2 (cont.)**  
Factory defaults

Setting	Factory default
Triggers	
Continuous	On
Delay	Auto
Source	Immediate
Voltage (AC and DC)	
dB reference	No effect
dBm reference	75Ω
Digits (AC)	5½
Digits (DC)	6½
Filter	On
Count	10
Mode	Moving average
Range	Auto
Relative	Off
Value	0.0
Rate (AC)	Medium*
Rate (DC)	Medium (1 PLC)

\*DETEctor: BANDwidth 30

## GPIB primary address

The GPIB primary address of the instrument must be the same as the primary address you specify in the controller's programming language. The default primary address of the instrument is 16, but you can set the address to any value from 0 to 30 by using the following step by step instructions.

1. Press SHIFT then GPIB.
2. Use the ▲ and ▼ keys to select ADDRESS. Or, press ENTER. Once you have pressed ENTER, the unit automatically displays the address selection.
3. Use the ◀ and ▶ keys to toggle from ADDRESS to the numeric entry. Notice the values are blinking.
4. Use the ▲ and ▼ keys to change the numeric entries to the desired address.
5. Press ENTER.

See Section Four — Remote Operation for more GPIB information.

## Warm-up time

The Model 2015 is ready for use as soon as the power-up sequence has completed. However, to achieve rated accuracy, allow the instrument to warm up for one hour. If the instrument has been subjected to extreme temperatures, allow additional time for internal temperatures to stabilize.

# Display

The display of the Model 2015 is primarily used to display readings, along with the units and type of measurement. Annunciators are located on the top, bottom, right, and left of the reading or message display. The annunciators indicate various states of operation. See [Figure 2-1](#) for a complete listing of annunciators.

## Status and error messages

Status and error messages are displayed momentarily. During Model 2015 operation and programming, you will encounter a number of front panel messages. Typical messages are either of status or error variety, as listed in Appendix B.

# Measuring voltage

The Model 2015 can make DCV measurements from 0.1 $\mu$ V to 1000V and ACV measurements from 0.1 $\mu$ V to 750V RMS, 1000V peak.

## Connections

Assuming factory default conditions, the basic procedure is as follows:

1. Connect test leads to the INPUT HI and LO terminals. Either the front or rear inputs can be used; place the INPUTS button in the appropriate position.
2. Select the measurement function by pressing DCV or ACV.
3. Pressing AUTO toggles autoranging. Notice the AUTO annunciator is displayed with autoranging. If you want manual ranging, use the RANGE  $\blacktriangle$  and  $\blacktriangledown$  keys to select a measurement range consistent with the expected voltage.
4. Connect test leads to the source as shown in [Figure 2-4](#).

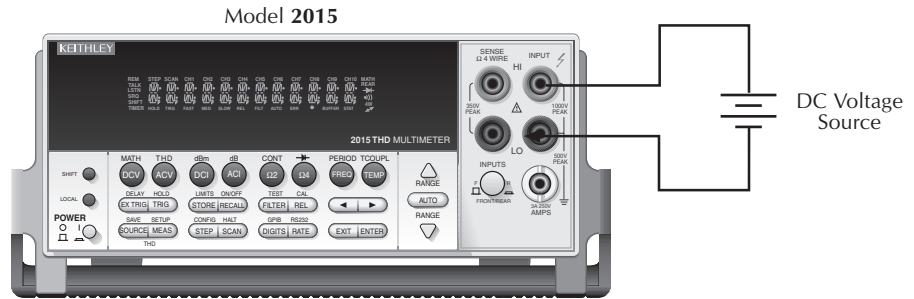
**WARNING** Maximum common mode voltage (voltage between LO and chassis ground) is 500V peak. Exceeding this value may cause a shock hazard.

**CAUTION** Do not apply more than 1000V peak to the input or instrument damage may occur. The voltage limit is subject to the  $8 \times 10^7 \text{V} \cdot \text{Hz}$  product.

**WARNING** The source and measurement connections are provided with overvoltage protection rated up to 2500V for 50 $\mu$ s. Do not connect sources that produce transient voltages greater than 2500V or the protection provided by the equipment may be degraded.

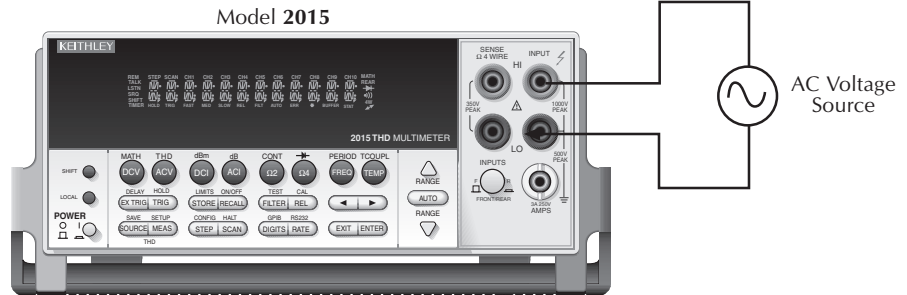
5. Observe the display. If the "OVERFLOW" message is displayed, select a higher range until a normal reading is displayed (or press AUTO for autoranging). Use the lowest possible range for the best resolution.
6. Take readings from the display.

**Figure 2-4**  
DC and AC voltage  
measurements



Input Resistance =  $10\text{M}\Omega$  on 1000V and 100V ranges;  
>  $10\text{G}\Omega$  on 10V, 1V and 100mV ranges.

**Caution:** Maximum Input = 1010V peak  
Maximum Common Mode = 500V peak



Input Impedance =  $1\text{M}\Omega$  and  $100\text{pF}$

**Caution:** Maximum Input = 1000V peak,  $8 \times 10^7 \text{V} \cdot \text{Hz}$   
Maximum Common Mode = 500V peak

## Crest factor

AC voltage and current accuracies are affected by the crest factor of the waveform, the ratio of the peak value to the RMS value. 500Hz is the maximum fundamental frequency at which the corresponding crest factor must be taken into account for accuracy calculations.

## Low level considerations

For sensitive measurements, external considerations beyond the Model 2015 affect the accuracy. Effects not noticeable when working with higher voltages are significant in microvolt signals. The Model 2015 reads only the signal received at its input; therefore, it is important that this signal be properly transmitted from the source. The following paragraphs indicate factors that affect accuracy, including stray signal pick-up and thermal offsets.



## Shielding

AC voltages that are extremely large compared with the DC signal to be measured may produce an erroneous output. Therefore, to minimize AC interference, the circuit should be shielded with the shield connected to the Model 2015 INPUT LO (particularly for low level sources). Improper shielding can cause the Model 2015 to behave in one or more of the following ways:

- Unexpected offset voltages.
- Inconsistent readings between ranges.
- Sudden shifts in reading.

To minimize pick-up, keep the voltage source and the Model 2015 away from strong AC magnetic sources. The voltage induced due to magnetic flux is proportional to the area of the loop formed by the input leads. Therefore, minimize the loop area of the input leads and connect each signal at only one point.

## Thermal EMFs

Thermal EMFs (thermoelectric potentials) are generated by thermal differences between the junctions of dissimilar metals. These can be large compared to the signal that the Model 2015 can measure. Thermal EMFs can cause the following conditions:

- Instability or zero offset is much higher than expected.
- The reading is sensitive to (and responds to) temperature changes. This effect can be demonstrated by touching the circuit, by placing a heat source near the circuit, or by a regular pattern of instability (corresponding to changes in sunlight or the activation of heating and air conditioning systems).

To minimize the drift caused by thermal EMFs, use copper leads to connect the circuit to the Model 2015. A banana plug generates a few microvolts. A clean copper conductor such as #10 bus wire is ideal for this application. The leads to the input may be shielded or unshielded, as necessary. Refer to “Shielding”.

Widely varying temperatures within the circuit can also create thermal EMFs. Therefore, maintain constant temperatures to minimize these thermal EMFs. A shielded enclosure around the circuit under test also helps by minimizing air currents.

The REL control can be used to null out constant offset voltages.

*NOTE Additional thermals may be generated by the optional scanner cards.*

## AC voltage offset

The Model 2015, at 5½-digits resolution, will typically display 100 counts of offset on AC volts with the input shorted. This offset is caused by the offset of the TRMS converter. This offset will not affect reading accuracy and should not be zeroed out using the REL feature. The following equation expresses how this offset ( $V_{\text{OFFSET}}$ ) is added to the signal input ( $V_{\text{IN}}$ ):

$$\text{Displayed reading} = \sqrt{(V_{\text{IN}})^2 + (V_{\text{OFFSET}})^2}$$

Example: Range = 1VAC

Offset = 100 counts (1.0mV)

Input = 100mV RMS

$$\text{Displayed reading} = \sqrt{(100\text{mV})^2 + (1.0\text{mV})^2}$$

$$= \sqrt{(0.01\text{V}) + (1 \times 10^{-6}\text{V})}$$

$$\text{Displayed reading} = 0.100005$$

The offset is seen as the last digit, which is not displayed. Therefore, the offset is negligible. If the REL feature were used to zero the display, the 100 counts of offset would be subtracted from  $V_{\text{IN}}$ , resulting in an error of 100 counts in the displayed reading.

See Section 3 — Measurement Options for information that explain the configuration options for DC and AC voltage measurements.

# Measuring current

The Model 2015 can make DCI measurements from 10nA to 3A and ACI measurements from 1 $\mu$ Am to 3A RMS.

**NOTE** See the previous discussion about crest factor in “Measuring voltage” in this section.

## Connections

Assuming factory default conditions, the basic procedure is as follows:

1. Connect test leads to the AMPS and INPUT LO terminals. The front inputs must be used; place the INPUTS button in the FRONT position.
2. Select the measurement function by pressing DCI or ACI.
3. Pressing AUTO toggles autoranging. Notice the AUTO annunciator is displayed with autoranging. If you want manual ranging, use the RANGE  $\blacktriangle$  and  $\blacktriangledown$  keys to select a measurement range consistent with the expected current.
4. Connect test leads to the source as shown in [Figure 2-5](#).

**CAUTION** Do not apply more than 3A, 250V to the input or the AMPS fuse will open-circuit.

5. Observe the display. If the “OVERFLOW” message is displayed, select a higher range until a normal reading is displayed (or press AUTO for autoranging). Use the lowest possible range for the best resolution.
6. Take readings from the display.

**Figure 2-5**  
DC and AC current  
measurements



**Caution:** Maximum Input = 3A DC or RMS

## AMPS fuse replacement

**WARNING** Make sure the instrument is disconnected from the power line and other equipment before replacing the AMPS fuse.

1. Turn off the power and disconnect the power line and test leads.
2. From the front panel, gently push in the AMPS jack with your thumb and rotate the fuse carrier one-quarter turn counter-clockwise. Release pressure on the jack and its internal spring will push the jack out of the socket.
3. Remove the fuse and replace it with the same type (3A, 250V, fast blow,  $5 \times 20\text{mm}$ ). The Keithley part number is FU-99-1.

**CAUTION** Do not use a fuse with a higher current rating than specified or instrument damage may occur. If the instrument repeatedly blows fuses, locate and correct the cause of the trouble before replacing the fuse. See the Model 2015 Service Manual for troubleshooting information.

4. Install the new fuse by reversing the procedure above.

See Section 3 — Measurement Options for information that explains the configuration options for DC and AC current measurements.

# Measuring resistance

The Model 2015 can make 2-wire and 4-wire resistance measurements from  $100\mu\Omega$  to  $120M\Omega$ .

## Connections

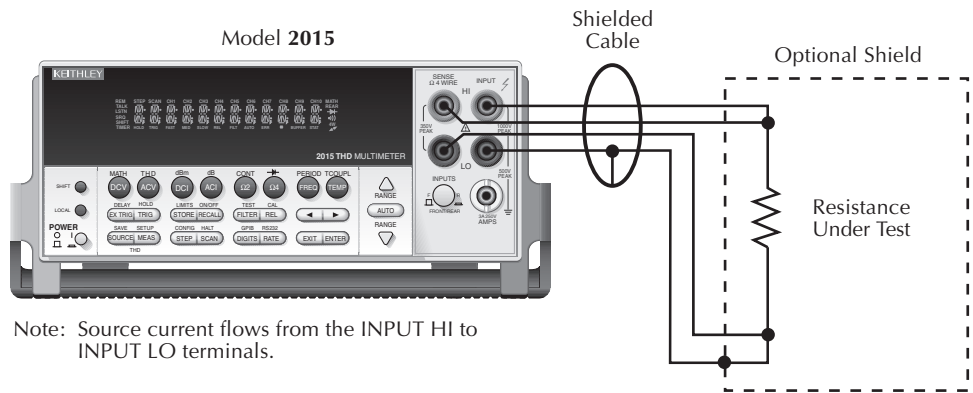
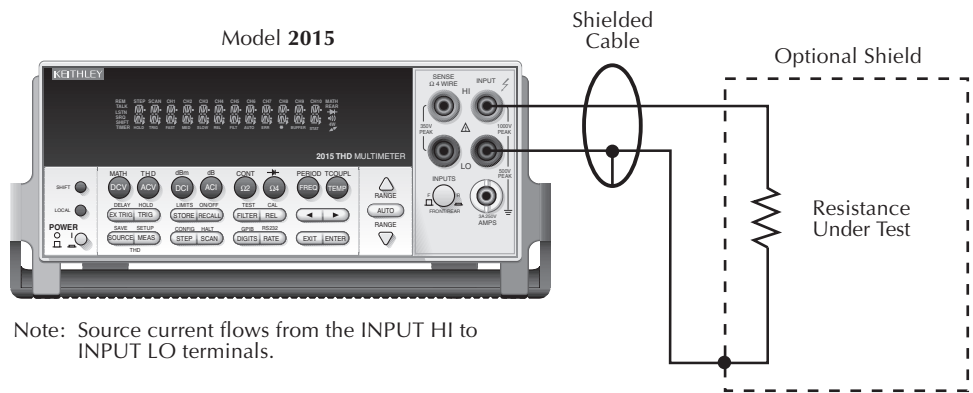
Assuming factory default conditions, the basic procedure is as follows:

1. Connect test leads to the Model 2015 as follows:
  - A. For  $\Omega$ 2-wire, connect the test leads to INPUT HI and LO.
  - B. For  $\Omega$ 4-wire, connect the test leads to INPUT HI and LO, and SENSE  $\Omega$ 4 WIRE HI and LO. Recommended Kelvin test probes include the Keithley Models 5805 and 5806. Either the front or rear inputs can be used; place the INPUTS button in the appropriate position.
2. Select the measurement function by pressing  $\Omega$ 2 or  $\Omega$ 4.
3. Pressing AUTO toggles autoranging. Notice the AUTO annunciator is displayed with autoranging. If you want manual ranging, use the RANGE ▲ and ▼ keys to select a measurement range consistent with the expected resistance.
4. Connect test leads to the resistance as shown in [Figure 2-6](#).

**CAUTION** Do not apply more than 1000V peak between INPUT HI and LO or instrument damage may occur.

5. Observe the display. If the “OVERFLOW” message is displayed, select a higher range until a normal reading is displayed. Use the lowest possible range for the best resolution.
6. Take a reading from the display.

**Figure 2-6**  
Two- and four-  
wire resistance  
measurements



## Shielding

To achieve a stable reading, it helps to shield resistances greater than 100k $\Omega$ . Place the resistance in a shielded enclosure and connect the shield to the INPUT LO terminal of the instrument electrically.

See Section 3—Measurement Options for information that explains the configuration options for 2-wire and 4-wire resistance measurements.

## Measuring frequency and period

The Model 2015 can make frequency measurements from 3Hz to 500kHz on voltage ranges of 100mV, 1V, 10V, 100V, and 750V. Period measurements can be taken from 2 $\mu$ s to 333ms on the same voltage ranges as the frequency.

The instrument uses the volts input terminals to measure frequency. The AC voltage range can be changed with the RANGE  $\blacktriangle$  and  $\blacktriangledown$  keys. The signal voltage must be greater than 10% of the full-scale range.

**CAUTION** The voltage limit is subject to the  $8 \times 10^7 \text{V} \cdot \text{Hz}$  product.

### Trigger level

Frequency and Period use a zero-crossing trigger, meaning that a count is taken when the frequency crosses the zero level. The Model 2015 uses a reciprocal counting technique to measure frequency and period. This method generates constant measurement resolution for any input frequency. The multimeter's AC voltage measurement section performs input signal conditioning.

### Gate time

The gate time is the amount of time the Model 2015 uses to sample frequency or period readings. The RATE key setting yields gate times as follows:

FAST = 0.01s

MEDium = 0.1s

SLOW = 1.0s

The Model 2015 completes a reading when it receives its first zero-crossing after the gate time expires. In other words, the reading is completed 1/2 cycle after the gate time has expired. For example, with a 1sec gate time to sample a 3Hz frequency, you may wait up to 3 seconds before the Model 2015 returns a reading.

## Connections

Assuming factory default conditions, the basic procedure is as follows:

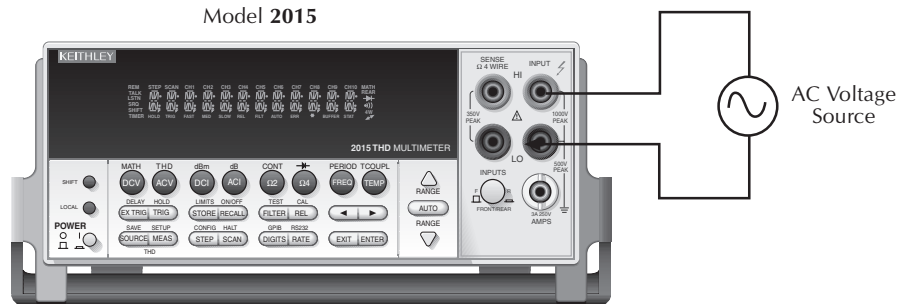
1. Connect test leads to the INPUT HI and LO terminals of the Model 2015. Either the front or rear inputs can be used; place the INPUTS button in the appropriate position.
2. Select the FREQ or PERIOD function.
3. Connect test leads to the source as shown in [Figure 2-7](#).

**CAUTION** Do not exceed 1000V peak between INPUT HI and INPUT LO or instrument damage may occur.

4. Take a reading from the display.

See Section 3—Measurement Options for information that explains the configuration options for frequency and period measurements.

**Figure 2-7**  
Frequency and period measurements



Input Impedance =  $1\text{M}\Omega$  in parallel with  $<100\text{pF}$

**Caution:** Maximum Input =  $1000\text{V}$  peak,  $8 \times 10^7 \text{ V}\cdot\text{Hz}$



# Measuring temperature

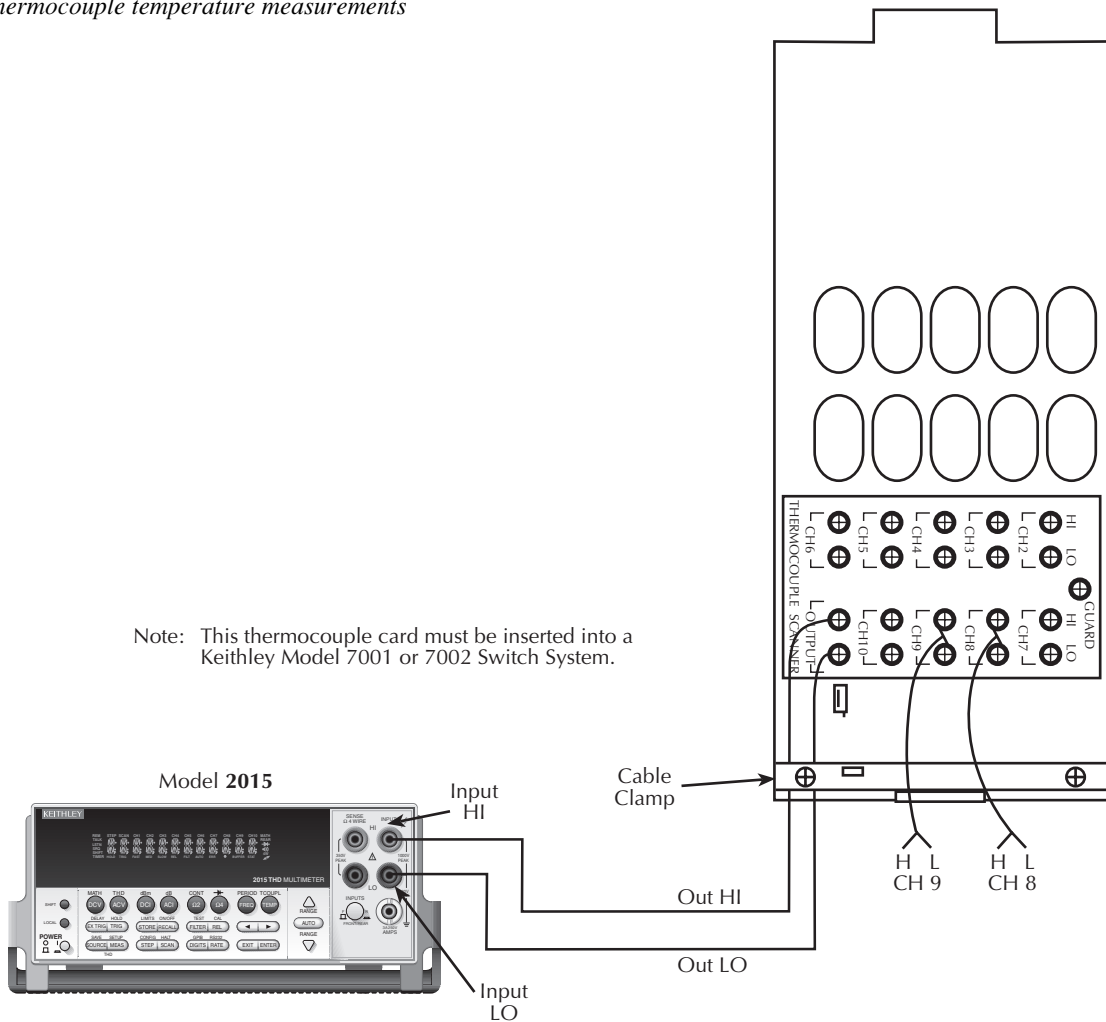
The Model 2015 measures temperature with thermocouples. The temperature measurement ranges available depend on the type of thermocouple chosen.

Thermocouples can be connected to an external thermocouple card, such as a Model 7057A, 7402, or 7014 installed in a Model 7001 or 7002 Switch System (Figure 2-8).

## Connections

**Figure 2-8**  
Thermocouple temperature measurements

Note: This thermocouple card must be inserted into a Keithley Model 7001 or 7002 Switch System.



---

## Configuration

The following information explains the various configuration options for temperature measurements. To select and configure the thermocouple measurement:

Press SHIFT then TCOUPL. Three choices are available using the ▲ and ▼ keys:

- UNITS — C, K, F (Centigrade, Kelvin, Fahrenheit). This parameter selects the displayed units for temperature measurements.
- TYPE — J, K, T (thermocouple type).
- JUNC — SIM. Typically, a thermocouple card uses a single reference junction. The Model 2015 simulates a reference junction temperature. Typical reference junction temperatures are 0°C and 23°C.

A simulated reference temperature is the temperature of the junction where the thermocouple voltage is sensed. It is room temperature if the thermocouple wire is terminated to banana jacks and corrected directly to the multimeter. The accuracy of a temperature measurement depends on the accuracy of the reference junction.

## Math

Model 2015 math operations are divided into four categories:

- $mX+b$  and percent
- dBm and dB calculations
- Statistics of buffered readings
- Limit testing

The first two categories are discussed here; buffered reading statistics and reading limit testing are described in Section 3 — Measurement Options.

The procedure to select and configure a math operation is summarized as follows:

1. Press SHIFT then the appropriate math key.
2. Configure the parameters for the math operation. Press ENTER when done. (Press SHIFT then the related math function to end the calculation.)

**NOTES** *Once enabled for a function, the  $mX+b$  and percentage calculations are in effect across function changes.*

*The Model 2015 uses IEEE-754 floating point format for math calculations.*

## MX + B

This math operation lets you manipulate normal display readings (X) mathematically according to the following calculation:

$$Y = mX + b$$

where: X is the normal display reading

m and b are user-entered constants for scale factor and offset

Y is the displayed result

### Configuration

To configure the mX+b calculation, perform the following steps:

1. Press SHIFT then MATH to display a math calculation. Use the ▲ and ▼ keys to select MX+B.
2. Press ENTER to display the present scale factor:  
M: +1.000000 ^
3. Enter a value and units prefix. Use the ◀ and ▶ keys to choose a numerical place and use the ▲ and ▼ keys to increment or decrement the digits.
4. Press ENTER to confirm the M value and display the B value:  
B: +00.00000 m
5. Enter a value and units prefix.
6. Press ENTER to confirm the B value and display the UNITS designation:  
MXB
7. Scroll through the letters to change and press ENTER when done.

The Model 2015 then displays the result of the calculation.

---

## Percent

This item selects the percentage calculation and lets you specify a reference value. The displayed reading will be expressed as a percent deviation from the reference value. The percentage calculation is performed as follows:

$$\text{Percent} = \frac{\text{Input} - \text{Reference}}{\text{Reference}} \times 100\%$$

where: Input is the normal display reading.  
Reference is the user entered constant.  
Percent is the displayed result.

## Configuration

To configure the percent calculation, perform the following steps:

1. Press SHIFT then MATH to display a math calculation. Use the ▲ and ▼ keys to select PERC.
2. Press ENTER to display the present value:  
REF:+1.000000^
3. Enter a reference sign, value, and units prefix. Use the ◀ and ▶ keys to choose a numerical place and use the ▲ and ▼ keys to increment or decrement the digits.
4. Press ENTER when done.

The Model 2015 will display the result of the calculation. The result is positive when the input exceeds the reference and negative when the input is less than the reference. Engineering units are used to show values in the range 1 nano to 1000G. Exponential notation is used above that range.

## dBm calculation

dBm is defined as decibels above or below a 1mW reference. With a user-programmable reference impedance, the Model 2015 reads 0dBm when the voltage needed to dissipate 1mW through the reference impedance is applied. The relationship between dBm, a reference impedance, and the voltage is defined by the following equation:

$$\text{dBm} = 10 \log \frac{\left( V_{\text{IN}}^2 / Z_{\text{REF}} \right)}{1\text{mW}}$$

Where:  $V_{\text{IN}}$  is the DC or AC input signal.  
 $Z_{\text{REF}}$  is the specified reference impedance.

**NOTE** Do not confuse reference impedance with input impedance. The input impedance of the instrument is not modified by the dBm parameter.

If a relative value is in effect when dBm is selected, the value is converted to dBm then REL is applied to dBm. If REL is applied after dBm has been selected, dBm math has REL applied to it.

### Configuration

To set the reference impedance, perform the following steps:

1. After selecting dBm, the present reference impedance is displayed (1-9999 $\Omega$ ):  
REF: 0000
2. To change the reference impedance, use the ◀ and ▶ keys to select the numeric position. Then use the ▲ and ▼ keys to select the desired value. Be sure to press ENTER after changing the reference impedance.

**NOTES** dBm is valid for positive and negative values of DC volts.

*The mX+b and percent math operations are applied after the dBm or dB math. For example, if mX+b is selected with m=10 and b=0, the display will read 10.000 MXB for a 1VDC signal. If dBm is selected with  $Z_{\text{REF}} = 50\Omega$ , the display will read 130MXB.*

## dB calculation

Expressing DC or AC voltage in dB makes it possible to compress a large range of measurements into a much smaller scope. The relationship between dB and voltage is defined by the following equation:

$$\text{dB} = 20 \log \frac{V_{\text{IN}}}{V_{\text{REF}}}$$

where:  $V_{\text{IN}}$  is the DC or AC input signal.  
 $V_{\text{REF}}$  is the specified voltage reference level.

The instrument will read 0dB when the reference voltage level is applied to the input.

If a relative value is in effect when dB is selected, the value is converted to dB then REL is applied to dB. If REL is applied after dB has been selected, dB has REL applied to it.

## Configuration

To set the reference voltage, perform the following steps:

1. After selecting dB, the present reference voltage level is displayed:  
REF: +0.000000
2. To change the reference level, use the ◀ and ▶ keys to select the numeric position. Then use the ▲ and ▼ keys to select the desired value. Be sure to press ENTER after changing the reference voltage.

**NOTES** The dB calculation takes the absolute value of the ratio  $V_{\text{IN}} / V_{\text{REF}}$

The largest negative value of dB is -160dB. This will accommodate a ratio of  $V_{\text{IN}} = 1\mu\text{V}$  and  $V_{\text{REF}} = 1000\text{V}$ .

## Measuring continuity

The Model 2015 uses the  $1\text{k}\Omega$  range to measure circuit continuity. After selecting continuity, the unit prompts you for a threshold resistance level ( $1\Omega$ - $1000\Omega$ ). The Model 2015 alerts you with a beep when a reading is below the set level.

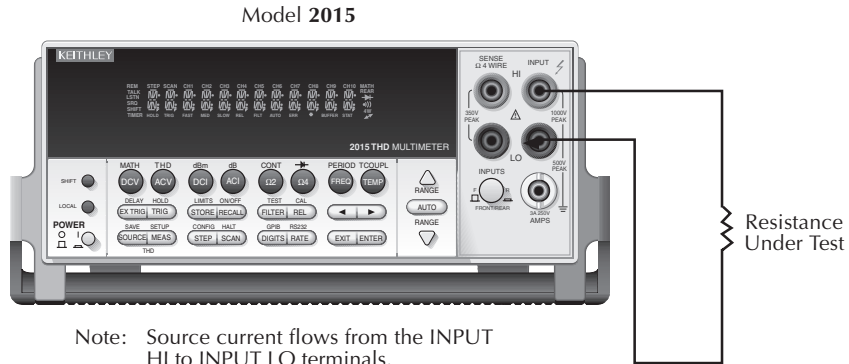
To measure the continuity of a circuit, press SHIFT then CONT, set the threshold resistance level and connect the circuit.

**NOTE** Continuity has a non-selectable reading rate of FAST (0.1 PLC).

## Connections

Connect the circuit you want to test to the INPUT HI and INPUT LO terminals of the Model 2015. The test current flows from the INPUT HI as shown in [Figure 2-9](#).

**Figure 2-9**  
Continuity measurements



## Threshold resistance level

You can define a threshold resistance from  $1\Omega$  to  $1000\Omega$ . The factory setting is  $10\Omega$ . Follow these steps to define the resistance level:

1. Press SHIFT then CONT.
2. Use the ◀ and ▶ keys to choose a numerical place and use the ▲ and ▼ keys to increment or decrement the digits. Enter a value from 1 to 1000.
3. Press ENTER to confirm your setting.

# Testing diodes

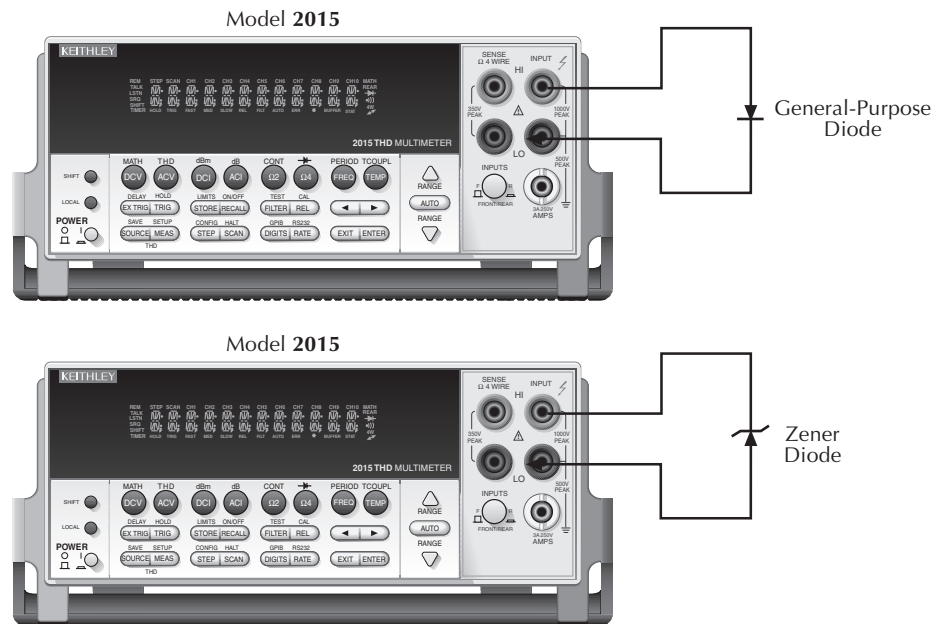
With a Model 2015, you can measure the forward voltage drop of general-purpose diodes and the zener voltage of zener diodes. To test diodes, press **SHIFT** then **→**, set the test current range, connect the diode, and take a reading from the display.

**NOTE** Diode test has a non-selectable reading rate of *MEDIUM* (1 PLC).

## Connections

Connect the diode leads to the **INPUT HI** and **INPUT LO** terminals on the Model 2015. The test current flows from the **INPUT HI** terminal as shown in [Figure 2-10](#).

*Figure 2-10*  
Diode testing



Note: Source current flows from the **INPUT HI** to **INPUT LO** terminals.

## Range

You can set the test current range from the front panel. The choices are 1mA, 100 $\mu$ A, and 10 $\mu$ A. The factory test current setting is 1mA. To set the test current, do following:

1. Press **SHIFT** then **→**.
2. Use the **▲** and **▼** keys to scroll through the three test current selections.

The diode test measures voltages on the 3V range for the 1mA test current and the 10V range for the 100 $\mu$ A and 10 $\mu$ A ranges. If a reading is more than 10V, the Model 2015 displays the “OVERFLOW” status message.



## Measuring distortion

The Model 2015 can make distortion measurements from 0.002% to 100% (-94dB to 0dB). The 2015 uses a digital signal processor (DSP) to perform a fast Fourier transform on the signal applied to the front or rear voltage inputs. It then analyzes the levels of the harmonics present in the signal to calculate THD, THD+noise, and SINAD. A direct digital synthesis module included in the distortion circuitry provides a programmable sine source. The source has a second output that can provide the inverse of the sine output (shifted 180°), or output 0-5V logic level pulses in phase with the main output. Distortion measurement types are explained below:

- **THD** — Total harmonic distortion is the default distortion measurement type. It is expressed in percent or dB. The measurement is calculated as follows:

$$\frac{\sqrt{h_2^2 + h_3^2 + h_4^2 \dots + h_i^2}}{f}$$

where  $h_i$  is magnitude of the  $i^{\text{th}}$  harmonic and  $f$  is the magnitude of the fundamental waveform.

- **THD+n** — This is total harmonic distortion plus noise. It is what conventional (analog) THD meters display. A conventional THD meter has a notch filter that removes the fundamental frequency from the signal, and measures THD based on what remains. This includes all of the harmonics, but also includes any random noise in the signal. Since the Model 2015 uses a DSP to perform a Fourier transform on the signal, noise can be eliminated from the distortion measurement, thus providing a true reading. This measurement is expressed in percent or dB, and is calculated as follows:

$$\frac{\sqrt{h_2^2 + h_3^2 + h_4^2 \dots + h_{1024}^2 + n}}{f}$$

where  $h$  is the harmonic,  $n$  is the noise, and  $f$  is the magnitude of the fundamental waveform.

- **SINAD** — This is another way of expressing THD+noise. It is the RMS magnitude of the signal divided by the RMS magnitude of the difference between the signal and the fundamental. This measurement is expressed only in dB. The calculation is as follows:

$$\frac{\sqrt{h_2^2 + h_3^2 + h_4^2 \dots + h_{1024}^2 + n^2 + f^2}}{\sqrt{h_2^2 + h_3^2 + h_4^2 \dots + h_{1024}^2 + n^2}}$$

where  $h$  is the harmonic,  $n$  is the noise, and  $f$  is the magnitude of the fundamental waveform.

The digital averaging filter (moving or repeating) can be used with distortion measurements. The RATE key has no effect on distortion measurements, because there is no NPLC setting.

**NOTE** The Rel key is not supported for distortion measurements.

## Configuration

These configuration options are presented in the order commonly used to make a distortion measurement. The SCPI commands are generic; actual syntax depends on the test programming language used. Factory defaults are assumed.

### Select the function

From the front panel, select the measurement function by pressing SHIFT then THD. For remote operation, send the command:

```
:SENSe:FUNCTion 'DISTortion' ;select distortion measurement function
```

### Set the distortion measurement type

1. Press THD-MEAS and the display shows "TYPE: THD".
2. Use the right cursor to highlight the type selection, then use the ▲ and ▼ keys to select THD, THD+N, or SINAD.
3. Press ENTER, then press EXIT.

For remote operation, send the command:

```
:SENSe:DISTortion:TYPE THD|THDn|SINAD ;select THD, THD+n, or SINAD
```

### Set the distortion frequency acquisition

The Model 2015 must know the fundamental frequency of the input waveform. Even a difference of a few hertz can cause large errors. The choices are AUTO, SET, and ACQUIRE. AUTO acquires the frequency before each distortion reading. This slows down the reading rate, but it is useful if the source frequency is unknown or unstable. ACQUIRE takes a frequency measurement once and uses it for distortion measurements. SET allows you to select a frequency between 20 and 20kHz (60Hz is default). AUTO or ACQUIRE are recommended instead of SET, as the programmed frequency of the external source may not be accurate.

1. Press THD-MEAS.
2. Press ENTER once and the display shows "FREQ: AUTO".
3. Use the cursor keys to select AUTO, SET, or ACQUIRE. (The source must be connected and turned on for ACQUIRE.)
4. Press ENTER. If SET was selected, you are prompted for the frequency to be used. Use the cursor keys and press ENTER to select it.
5. Press EXIT.

The following commands set the distortion frequency acquisition:

```
:SENSe:DISTortion:FREQuency:ACQuire ;acquire the frequency once
:SENSe:DISTortion:FREQuency:AUTO ON|OFF ;turn AUTO on or off
:SENSe:DISTortion:FREQuency xxxxx.xxx ;set frequency in hertz
```

## Set number of highest harmonic

This option sets the number (n) of the highest harmonic included in the distortion calculation, where "n" is between 2 and 64 (2 is default). For example, the harmonic with a frequency twice that of the fundamental is the second harmonic (n=2). This function acts as a brick-wall, low-pass filter. It has an upper limit of 50kHz or 64 times the fundamental frequency, whichever is lower. This option has no effect in the THD+n or SINAD modes.

1. Press THD-MEAS.
2. Press ENTER until the display shows "UPPR HARM: 02".
3. Set the number of the highest harmonic using the cursor keys.
4. Press ENTER, then press EXIT.

Use this remote command:

`:SENSe:DISToRTion:HARMonic xx` ;set number of highest harmonic

## Set measurement units

For the THD and THD+n modes, the measurement units can be percent or dB. SINAD is always displayed as dB.

1. Press THD-MEAS.
2. Press ENTER until the display shows "UNITS: PERC".
3. Select PERC or dB using the cursor keys.
4. Press ENTER, then EXIT.

For remote operation, use this command:

`:UNIT:DISToRTion PERCent|DB` ;select percent or dB for units

## Select shaping filter

The Model 2015 has digital shaping filters to simulate having the sample signal pass through various types of telephone lines. The filter is turned off by default (NONE).

1. Press THD-MEAS.
2. Press ENTER until the display shows "SFIL: NONE".
3. Select NONE, C (C message weighting), CCITT, CCIRARM, A (A weighting), or CCIR using the cursor keys.
4. Press ENTER.

For remote operation, use this command:

`:SENSe:DISToRTion:SFILter NONE|C|CCITT|CCIRARM|A|CCIR` ;select shaping filter

## Set the voltage range

The Model 2015 defaults to autoranging for the voltage input range. If you prefer manual ranging, use the lowest possible range for the signal level. Not using the appropriate range causes inaccurate readings, or the display may show "OVRFLW" or "UDRFLW."

While the 2015 is measuring distortion, press the manual range keys. The display shows the new range briefly. Press AUTO for autoranging. For remote operation, use these commands:

```
:SENSe:DISToRtion:RANGe xxx.xx           ;set range based on parameter
:SENSe:DISToRtion:RANGe:AUTO ONIOFF      ;turn autoranging on or off
```

## Configure the internal function generator

The Model 2015 has a 10Hz-20kHz (60Hz default) two-channel function generator. It can be used to evaluate amplifiers, filters or other devices, or can be connected to the 2015 inputs. The function generator has selectable output impedances of 50Ω, 600Ω, and HIZ (50Ω default), and is unbalanced (coaxial). Its amplitude is 0-2Vrms for 50Ω and 600Ω (0.5Vrms default), and 0-4Vrms for HIZ (1.0Vrms default). A second output provides an inverted sine (opposite in phase to the main output), or a 0-5V logic level pulse in phase with the main output and having the same frequency.

**NOTE** *The output impedance needs to be set before the amplitude. The impedance of the second output reflects the impedance of the main output.*

The only difference between 50Ω and HIZ is that the requested output voltage is corrected for the actual load. For example, if 1.5V is requested:

1. With 50Ω selected and a 50Ω load, the result is 1.5V (correct).
2. With HIZ selected and a high impedance load, the result is 1.5V (correct).
3. With HIZ selected and a 50Ω load, the result is 0.75V (half of expected).
4. With 50Ω selected and a high impedance load, the result is 3.0V (twice expected).
5. With 50Ω selected and a 25Ω load, the result is 1.0V (incorrect for either 50Ω or high impedance).

From the front panel:

1. Press THD-SOURCE and the display shows "SINE OUT: OFF".
2. Use the cursor keys to select ON, then press ENTER.
3. When the display shows "FREQ: 00.0600k", use the cursor keys to select the frequency (.01 to 20k), then press ENTER.
4. When the display shows "IMPEDANCE: 50", use the cursor keys to select 50, HIZ, or 600, then press ENTER.
5. When the display shows "AMPL: 0.5000V", use the cursor keys to set the amplitude (0 to 2V for 50Ω and 600Ω, 0 to 4V for HIZ), then press ENTER.
6. When the display shows "CHAN2: ISINE", use the cursor keys to select ISINE (inverted sine) or PULSE (square wave), then press ENTER.

For remote operation:

```
:OUTPut ONIOFF                           ;turn output on or off
:OUTPut:FREQuency xxxxx.xxx              ;set frequency of source
:OUTPut:IMPedance OHM50|OHM600|HIZ       ;set output impedance
:OUTPut:AMPLitude x.xxx                  ;set amplitude of source
:OUTPut:CHANnel2:SHAPE ISINE|PULSE       ;set Channel 2 waveform
```

## Retrieve magnitude of individual harmonic

(remote operation only)

The 2015 can return the levels of individual harmonics (relative to the level of the fundamental, in dB). The parameters for this command are the starting and ending harmonics. Specify 2,3 for the second and third harmonics, or 2,2 for the second harmonic. The harmonic levels returned correspond to the last triggered reading, and the unit has to be set for one-shot readings (:INIT:CONT OFF). For remote operation, send this command:

```
:SENSe:DISToRtion:HARMonic:MAGNitude? xx,xx ;query individual harmonic levels
```

## Retrieve RMS volts, THD+n, or THD for an acquired reading

(remote operation only)

Once a single reading has been triggered, the corresponding RMS volts value, THD+noise value, or THD value can be read for the same set of data, regardless of what distortion mode is set. SINAD can be calculated from the THD+noise reading. Note that the following commands only work if the unit is set to trigger one reading at a time (:INIT:CONT OFF). Errors occur if the unit is continuously updating.

```
:SENSe:DISToRtion:RMS? ;return the calculated RMS volts value for the last triggered reading
```

```
:SENSe:DISToRtion:THD? ;return the THD+noise reading for the last triggered reading
```

```
:SENSe:DISToRtion:THDN? ;return the THD reading (number of harmonics depends on the last setting of harmonic number)
```

Querying the RMS volts value in the distortion mode with :sens:dist:rms? may yield a reading slightly different from a reading in AC volts mode. This is because of the differences in how the two modes make the measurement.

## Configuring and using the internal sweep

### (remote operation only)

The Model 2015's internal source can be set to sweep up to 200 frequencies and then return the distortion and/or RMS volts for each frequency. Sweep results can be returned using the SREAL data format (fastest—IEEE754 single precision), DREAL data format (IEEE754 double precision), or in ASCII (default). The sweep uses the present distortion measurement settings and must be allowed to complete before requesting the data (otherwise the data will be incomplete). Sweep end can be detected by reading bit 3 of the Operation Event register (**:STAT:OPER?**) which is set to 1 at the end of a sweep. Bit 3 of the Operation Event register can also be used to trigger a service request when the sweep is completed.

The output sweep can only be performed in distortion mode. When performing a sweep, use SET mode for the distortion frequency acquisitions mode for maximum speed (remote command is **:SENS:DIST:FREQ:AUTO OFF**).

**NOTE** *Do not place the unit in autorange mode while sweeping. A value of +812 (Not permitted in autorange) will be returned if this command is issued while in autorange mode. Refer to Appendix B for a complete list of status and error messages.*

<b>:OUTPut:LIST:MODE LIST</b>	;Sets single frequency or sweep mode
<b>:OUTPut:LIST &lt;ampl1&gt;, &lt;freq1&gt;, &lt;ampl2&gt;, &lt;freq2&gt;...</b>	;Creates a sweep list (50 points max)
<b>:OUTPut:LIST:APPend: &lt;ampl#x&gt;, &lt;freq#x&gt;</b>	;Adds additional points to the existing sweep list (change trigger count to match number of points)
<b>:OUTPut:LIST:ELEMents DIST,AMPL</b>	;Selects data to be returned (distortion, RMS volts, or both)
<b>:OUTPut:LIST:DELAy xxx.xxx</b>	;Sets the source delay time (the time between setting the source and taking the measurement) in seconds
<b>:TRIGger:COUNt xx</b>	;Sets the number of measurements to make during the sweep; must equal the number of sweep points
<b>:OUTPut ON</b>	;Output must be on before starting sweep
<b>:INIT</b>	;Starts the sweep
<b>:OUTPut:LIST:DATA?</b>	;Returns the list of sweep data in the format <dist1>, <ampl1>, <dist2>,... (dependent on data elements selected)

## Configuring high and low cutoff filters

### (remote operation only)

The Model 2015 includes low and high cutoff filters used to limit the range of frequencies used in distortion measurements. The filters can be set in the range of 20Hz to 50kHz. Use the low cutoff to limit noise frequencies below the fundamental for THD+noise and SINAD measurements (the low filter does not have an effect in THD mode). When setting the low cutoff, set the value lower than the fundamental signal frequency. Similarly, the high cutoff filter limits noise frequencies above the specified frequency for THD+noise and SINAD measurements. In THD mode, the limiting frequency is equal to the lower of the high cutoff filter or the harmonic value.

```
:SENSe:DISToRtion:LCO xxxx           ;Sets the low cutoff frequency
:SENSe:DISToRtion:LCO:STATe ON/OFF    ;Turns the low cutoff on or off
:SENSe:DISToRtion:HCO xxxx           ;Sets the high cutoff frequency
:SENSe:DISToRtion:HCO:STATe ON/OFF    ;Turns the high cutoff on or off
```

The digital averaging filter (moving or repeat) can be used for THD. The RATE key sets the gate time (FAST = 0.01s, MEDium = 0.1s, and SLOW = 1.0s).

Auto or Acquire frequency modes are recommended instead of Set mode, as the programmed frequency of an external source may not be accurate.

Querying the RMS volts value in the distortion mode (**:sens:dist:rms?**) may yield a reading slightly different from a reading in AC volts modes due to a difference in the how each mode make measurements.

The output impedance needs to be set prior to setting the amplitude of starting the sweep. The impedance of the second output reflects the impedance of the main output.

```
:LCO <NRf>           ;Sets the low cutoff frequency of the Bandpass filter.
:LCO?               ;Queries the low cutoff frequency of the Bandpass filter.
:STATe <b>          ;Sets LCO state on or off.
:STATe?            ;Queries LCO state.
:HCO <NRf>         ;Sets the high cutoff frequency of the Bandpass filter.
:HCO?             ;Queries the high cutoff frequency of the Bandpass filter.
:STATe <b>         ;Sets HCO state on or off.
:STATe?           ;Queries HCO state.
```

## Connections

Assuming factory default conditions, the basic procedure is as follows:

1. Connect test leads to the INPUT HI and LO terminals. Either the front or rear inputs can be used; place the INPUTS button in the appropriate position.

**NOTE** *If the internal source is connected directly to the inputs, be sure the outer conductor is connected to INPUT LO.*

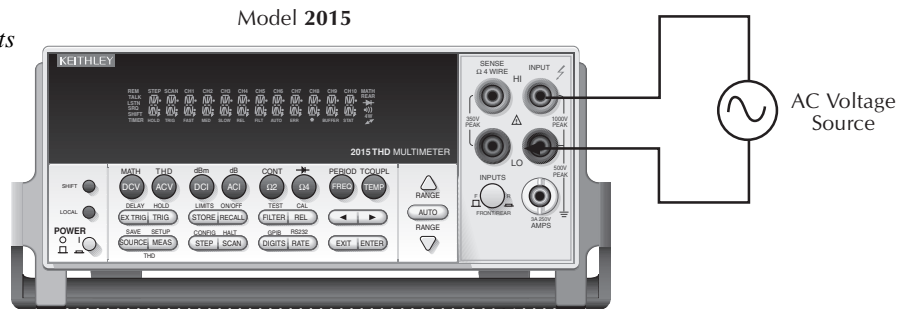
2. Select the measurement function by pressing SHIFT then THD.

- Pressing AUTO toggles autoranging. Notice the AUTO annunciator is displayed with autoranging. If you want manual ranging, use the RANGE ▲ and ▼ keys to select a measurement range consistent with the expected voltage.

**NOTE** Pressing AUTO to turn off autoranging for distortion readings displays a message indicating the present range.

- Connect test leads to the source as shown in Figure 2-11.

**Figure 2-11**  
Distortion measurements



Input Impedance =  $1\text{M}\Omega$  and  $<100\text{pF}$

**Caution:** Maximum Input =  $1000\text{V}$  peak,  $8 \times 10^7 \text{V}\cdot\text{Hz}$

**CAUTION** Do not apply more than  $1000\text{V}$  peak to the input or instrument damage may occur. The voltage limit is subject to the  $8 \times 10^7 \text{V}\cdot\text{Hz}$  product.

- Observe the display. If the “UDRFLW %THD” or “UDRFLW dB” message is displayed (2% of range), select a lower range until a normal reading is displayed (or press AUTO for autoranging). Use the lowest possible range for the best resolution.

**NOTE** Pressing the AUTO key to turn off autorange for distortion readings will display a short message indicating the present range.

When the fundamental frequency is outside the  $20\text{Hz}$  to  $20\text{kHz}$  range, an underflow or overflow condition exists. When a trapping filter is enabled, the range can be much narrower, depending on the type of filter enabled.

- Take readings from the display.

**NOTE** When measuring distortion on the  $100\text{mV}$  range or autoranging, open input leads cause the distortion modes to display apparently valid readings. This is noise pickup at the power line frequency. The amplitude of the signal depends on the type and length of input connections. If the issue cannot be resolved by selecting a higher range, place a resistor across the input leads, creating an underflow condition when the leads are open. The resistor value depends on the amount of noise present, but typically is  $50\text{k}\Omega$  to  $150\text{k}\Omega$ .



## Measurement examples

### Measuring distortion

*NOTE* The Rel key is not supported for distortion measurements.

Turn on the Model 2015 and connect the function generator output (SOURCE OUTPUT) to the front or rear voltage inputs (INPUT HI/LO). Set the INPUTS button accordingly.

1. Press SHIFT then ACV(THD) to put the 2015 into distortion measurement mode.
2. Press MEAS (the THD measure key).
3. When the display shows "TYPE" select THD and press ENTER.
4. When the display shows "FREQ:" select AUTO and press ENTER.
5. When the display shows "UPPR HARM:" select 02 and press ENTER.
6. When the display shows "UNITS:" select PERC and press ENTER.
7. When the display shows "SFIL:" select NONE and press ENTER.
8. Press SOURCE (the THD source key).
9. When the display shows "SINE OUT:" select ON and press ENTER.
10. When the display shows "FREQ:" select 01.0000kHz and press ENTER.
11. When the display shows "IMPEDANCE: 50", select HIZ and press ENTER. (Setting is ignored in this example.)
12. When the display shows "AMPL:" select 1.0000V and press ENTER.
13. When the display shows "CHAN2:" select ISINE and press ENTER.

The display should read approximately 0.2 %THD.

To illustrate why the 2015 needs to know the exact source frequency, perform the following:

1. Press THD-MEAS and press ENTER once.
2. When the display shows "FREQ:", select SET and press ENTER.
3. For the frequency, enter 01.0002kHz and press ENTER four times.

The display should read approximately 0.02 %THD and will be unstable. Note that the setting for the function generator did not change.

Using the steps listed previously, return to the THD-MEAS menu and select ACQUIRE for the frequency mode. The readings will return to approximately 0.02 %THD.

To perform this example remotely, send these commands:

```
*RST ;start from defaults
:sens:func 'dist' ;select distortion function
:sens:dist:type thd ;select THD type
:sens:dist:harm 2 ;set highest harmonic to 2
:unit:dist:perc ;select percent distortion
:sens:dist:sfil none ;no shaping filter
:sens:dist:rang:auto on ;turn on autoranging
:outp:freq 1000 ;set frequency to 1kHz
:outp:imp HIZ ;set high impedance source
:outp:ampl 1 ;set one volt
:outp:chan2 isine ;select inverted sine
:outp on ;turn on source
:read? ;trigger one reading, the distortion measurement can be read from
the bus
:sens:dist:rms? ;return the RMS volts value corresponding to the above
measurement
```

## Measuring AC volts or frequency

To measure AC volts or frequency using the Model 2015, follow this procedure. Note that the function generator does not work outside the distortion function.

1. Select ACV or frequency.

Front panel:

- Press ACV or FREQ.

Remote:

```
:sens:func 'volt:ac' ;select ACV
:sens:func 'freq' ;select frequency
```

2. Set voltage range.

Front panel:

- Press RANGE ▲ and ▼. The display briefly shows the new range. Autorange is available for ACV but not frequency.

Remote:

```
:sens:volt:ac:rang xxx.xxx ;select ACV range based on number
:sens:volt:ac:rang:auto on/off ;turn autorange on or off
:sens:freq:thr:volt:rang xxx.xxx ;select frequency range
```

## 3. Set integration rate for ACV.

Front panel:

- Press RATE. An annunciator indicates FAST (0.1 NPLC), MED (1 NPLC), or SLOW (10 NPLC).

Remote:

:sens:volt:ac:nplc xx.xx ;set number of power line cycles to integrate over

## 4. Set number of displayed digits.

Front panel:

- Press DIGITS to cycle through the number of digits.

Remote:

:sens:volt:ac:dig x ;select number of display digits in ACV

:sens:freq:dig x ;select number of display digits in frequency

## 5. Set digital filter for ACV.

The 2015 has a digital averaging filter to stabilize readings. The repeating filter takes the set number of readings, averages, then updates the display. The moving filter throws out the oldest reading, takes a new reading, then updates the display. The moving filter updates the display faster, but takes longer for readings to stabilize.

Front panel:

- Press FILTER.
- When the display shows "010 RDGS", select the number of readings to average (1 to 100) and press ENTER.
- When the display shows "TYPE:MOVING AV", select MOVING AV or REPEAT and press ENTER.
- The display will have the FILT annunciator lit to indicate the filter is on. Press FILTER again to disable the filter.

Remote:

:sens:volt:ac:aver:tcon movlrep ;select moving or repeating filter for ACV

:sens:volt:ac:aver:coun xxx ;set number of averaged readings

:sens:volt:ac:aver:stat onloff ;turn filter on or off

## Distortion and RMS Volts Sweep Example

This is an example of the bus commands which should be sent to the 2015 to configure start, and receive the data for a 10-point sweep. This also includes the use of the high and low cutoff filters. This example executes a sweep of 10 frequencies from 1000Hz to 1900Hz in 100Hz steps. The source is set for an amplitude of 1 V RMS.

```

*RST                               ;Resets the 2015 to default conditions

*CLS                               ;Clears the status registers
:STAT:OPER:ENAB 8                 ;This will cause the Operation Summary Bit to set
                                   ;when the sweep has been completed, so that the
                                   ;sweep end can be detected

*SRE 128                           ;Enables the Operation Summary Bit mask to cause
                                   ;the SRQ line to be asserted when the sweep is
                                   ;completed

:SENS:FUNC 'DIST'                 ;Selects Distortion mode
:SENS:DIST:RANG 10                 ;Selects 10V range
:SENS:DIST:FREQ:AUTO OFF           ;Turns off the AUTO frequency mode
:SENS:DIST:TYPE THDN               ;Selects THD+noise mode
:SENS:DIST:LCO 500                 ;Configures the low cutoff to filter out noise below
                                   ;500 Hz

:SENS:DIST:LCO:STAT ON             ;Turns on the low cutoff filter
:SENS:DIST:HCO 10000               ;Configures the high cutoff to filter out noise above
                                   ;10kHz

:SENS:DIST:HCO: STAT ON            ;Turns on the high cutoff filter
:OUTP:LIST 1,1000,1,1100,1,1200,1,1300,1,1400,1,1500,1,1600,1,1700,1,1800,1,1900
                                   ;This will set 10 sweep points, from 1000 Hz to 1900
                                   ;Hz in 100Hz steps, all at one volt amplitude

:OUTP:MODE LIST                    ;Selects sweep mode
:OUTP:LIST:DEL .1                  ;Sets a source delay of 0.1 seconds
:OUTP:LIST:ELEM DIST,AMPL          ;Selects distortion and amplitude as the data
                                   ;elements to be returned

:TRIG:COUN 10                      ;The 2015 will take 10 triggered measurements
OUTP ON                             ;Turns the output on
:INIT                               ;Begins the sweep (Wait for SRQ to be asserted)*
:OUTP:LIST:DATA?                   ;Queries the sweep data (Read data from the 2015)*

```

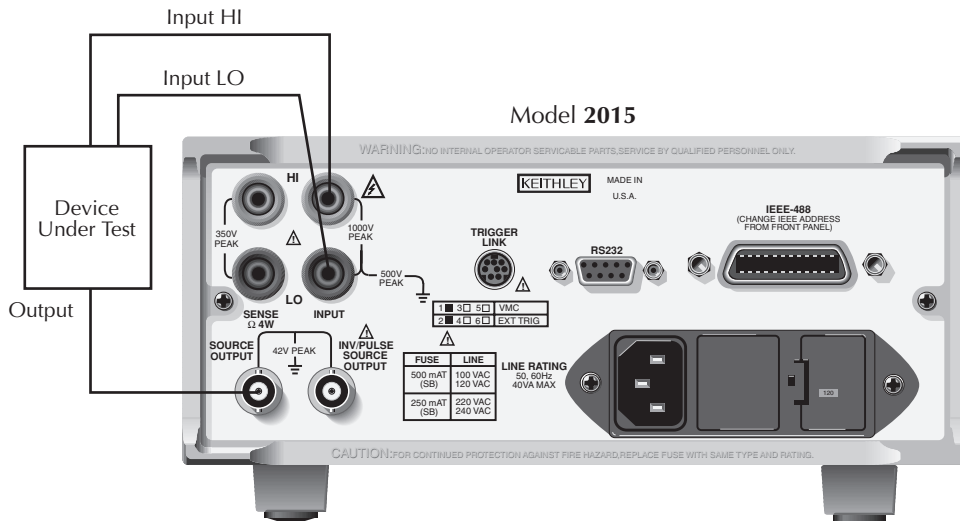
The actual syntax for these steps depends on the type of GPIB interface and control software used. For example, the WaitSRQ function can be used with a National Instruments interface to wait for the SRQ, and the IBERD function can be used to read the data.

Running this same sweep again only requires sending \*cls and init over the bus. Sending the \*cls again is necessary to reset the sweep done bit.

## Frequency response sweep example

Figure 2-12 is an example of how to perform a frequency response sweep on a device using the Model 2015's fast sweep capability. Since the Model 2015 must remain on one range while sweeping, some preliminary work is necessary to find the appropriate input range, output levels, and output frequencies to use in a sweep. In order for the Model 2015 to return usable readings, the input RMS voltage level should be between 5% and 100% of the input range. For example, on the 100mV, the input level should be between 5 and 100mV. In addition to choosing the input range, the source amplitude needs to be adjusted so the peak voltage from the DUT does not exceed 100% of the selected measurement range. Once the appropriate source level is found, find the low and high frequencies where the voltage from the DUT falls to 5% of the selected measurement range.

**Figure 2-12**  
DUT connections when using the internal sine source to stimulate a device



## Analyzing frequency spectrum (Model 2015P only)

The Model 2015P has the ability to analyze the frequency spectrum of a signal. The instrument can find and report the frequencies of the peak amplitude values. This is a bus-only operation and cannot be performed from the front panel.

### Peak commands

PEAK commands that control the Model 2015P peak functions are summarized in [Table 2-3](#) below.

**Table 2-3**  
*PEAK commands*

Command	Description
DIST:PEAK:MAX?	Looks at all the frequency bin values to find the maximum amplitude value. Updates the current location position to this frequency. NOTE: This command must be sent before using the NEXT, LEFT, or RIGHT commands (below).
DIST:PEAK:NEXT?	Finds the maximum amplitude value of the frequency bins that have not yet been returned. Updates the current location position to this frequency.
DIST:PEAK:LEFT?	Finds the maximum amplitude value of frequency bins that have not already been reported and are lower in frequency than the present location frequency. Updates the current location position to this frequency.
DIST:PEAK:RIGHT?	Finds the maximum amplitude value of frequency bins that have not already been reported and are higher in frequency than the present location frequency. Updates the current location position to this frequency.
DIST:PEAK:SREF	Sets the “reference marker” to the current frequency location.
DIST:PEAK:DELTA?	Returns the difference in frequency and amplitude (dBV) between the reference marker and the present location.
DIST:PEAK:SFR <freq>	Moves the present location marker to the bin associated with the frequency sent.
DIST:PEAK:LOC?	Returns the frequency and amplitude of the present location.
DIST:PEAK:LOWER <freq>	Defines lower bound of search frequency (will not search frequencies below this point). (Default is 20.)
DIST:PEAK:LOWER?	Query lower bound of search frequency.
DIST:PEAK:UPPER <freq>	Defines upper bound of search frequency (will not search frequencies above this point). (Default is 20480.)
DIST:PEAK:UPPER?	Query upper bound of search frequency.
DIST:PEAK:LIST <freqlist>	Specify list of frequencies (up to 50) to be analyzed.
DIST:PEAK:LIST?	Query frequencies in the list.
DIST:PEAK:LIST:DATA?	Returns amplitudes for frequencies in the list.

## Operation overview

The PEAK commands apply only to a captured waveform. For that reason, the instrument must be put into a single trigger state; otherwise, errors will occur if the instrument is continually triggered. To select a single trigger state, set the state of INIT:CONT to OFF, and set TRIG:COUNT to 1.

In order to get maximum frequency resolution from the FFT calculation, the distortion frequency must be programmed to 20Hz so the FFT can provide information that is separated into 20Hz bins. To accomplish this, send the command: DIST:FREQ 20.

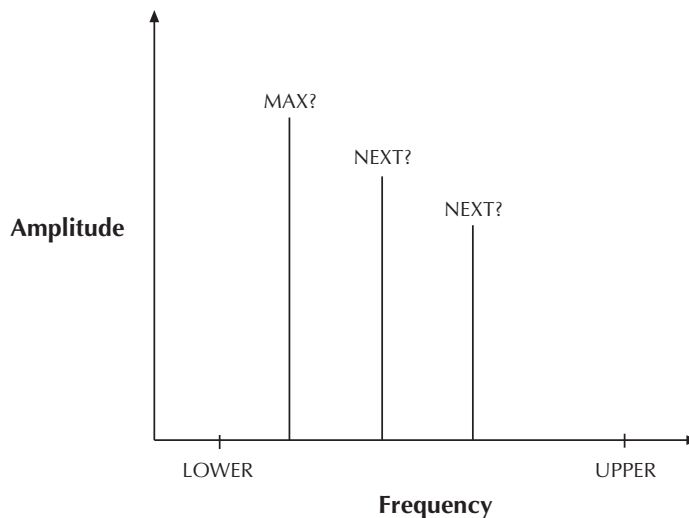
Setting the distortion frequency to 20Hz is done so that waveform is analyzed appropriately; however, it does not mean that the excitation frequency must be 20Hz. For a THD measurement, the source frequency and the distortion analysis frequency are the same, but for this peak method, the analysis is set up to yield maximum frequency bin information instead of THD information.

## Typical peak analysis

Once readings have been acquired, use the basic steps for peak analysis below. [Figure 2-13](#) shows these steps graphically.

1. Set the lower and upper bounds for the frequency search using the LOWER and UPPER commands.
2. Request the maximum amplitude, frequency pair using the MAX? query.
3. Request the subsequently lower maximum amplitudes and corresponding frequencies by repeatedly sending the NEXT? query.
4. To obtain the next lower amplitude at a frequency lower or higher than the present frequency, use the LEFT? and RIGHT? queries, respectively.

**Figure 2-13**  
Peak analysis



## Frequency list analysis

Once readings have been acquired, a specified list of frequencies (up to 50) can be analyzed using the PEAK:LIST commands. The PEAK:LIST <freqlist> command is used to specify the frequencies (in Hz) to be analyzed. The PEAK:LIST:DATA? command is then used to return the amplitudes (in dBV) of the listed frequencies.

*NOTE* The distortion frequency must be set to 20Hz in order to analyze a list of frequencies. The distortion frequency is set to 20Hz by sending the following command:

*DIST:FREQ 20*

The Model 2015P can only analyze frequencies that are a multiple of 20. If a listed frequency is not a multiple of 20, the frequency that will be analyzed is the next lowest multiple of 20. For example, if 1019Hz is a listed frequency, the amplitude for 1000Hz will be returned by LIST:DATA?.

The following command shows proper syntax for specifying a frequency list (1.0kHz, 1.1kHz, and 1.2kHz):

```
:DIST:PEAK:LIST 1000,1100,1200
```

When LIST:DATA? is used, the magnitudes for the above frequencies will be returned. If, for example, the amplitudes for the above frequencies are -6dBV (1kHz), -7dBV (1.1kHz) and -8dBV (1.2kHz), the following values will be returned:

-6, -7, -8

The programming example in Table 2-7 shows how to analyze a list of frequencies.



## Peak analysis programming example

Working through a typical case will illustrate the program flow and the sequencing of command steps. For this example, a device is being stimulated with a 1kHz signal at 250mV (-12dBV). The device is reacting to this excitation by resonating at 600Hz and at 3kHz. The amplitudes of those two frequencies are 100mV (-20dBV) and 200mV (-14dBV), respectively. The procedure below will take you step-by-step through the process. [Table 2-4](#) summarizes the command sequence.

### Step 1. Set the trigger model for single reading mode

Set the instrument to the single trigger state with these commands:

```
init:cont off
trig:count 1
```

### Step 2. Select distortion function

Send this command to select the distortion function:

```
func 'dist'
```

### Step 3. Force the analysis to 20Hz frequency bins

Set the distortion frequency to 20Hz so that the FFT can separate into 20Hz bins with this command:

```
dist:freq 20
```

### Step 4. Program the output sine wave

Program the desired output frequency and amplitude as follows:

```
outp:freq 1000
outp:ampl 0.250
outp on
```

*NOTE The above commands need to be sent only once during setup. The following commands can then be sent as many times as necessary for analysis.*

### Step 5. Trigger reading

Since the instrument is currently in the idle state, it must be triggered to acquire a reading with this command:

```
init
```

### Step 6. Synchronize reading

Before starting the peak analysis, the unit must be synchronized to the reading being completed. One way of doing so would be to read back the resulting THD reading even though it may not be used. Another method would be to check the RAV (Reading Available) bit (bit 5) in the Measurement Condition Register. (See Section 4, “Status structure” for details.)

The following command will request a THD reading, once available:

```
fetch?
```

**Table 2-4**  
Peak analysis programming example

Command	Description
init:cont off	Set the trigger model for single reading mode.
trig:count 1	Set trigger count to 1.
func 'dist'	Set the function to measure distortion.
dist:freq 20	Force the analysis to 20Hz frequency bins.
outp:freq 1000	Program the output sine wave frequency.
outp:ampl 0.250	Program the output sine wave amplitude.
outp on	Turn on source.
init	Trigger a reading.
fetch?	Request reading to synchronize.
dist:peak:max?	Return the frequency, amplitude pair of the maximum peak value.
dist:peak:next?	Search buffer for the second highest peak value.
dist:peak:next?	Search buffer for the third highest peak value.

## Step 7. Send peak commands to analyze waveform

Since most of the peak commands operate relative to the last found frequency position, the initial position must first be established. This is usually done by finding the peak frequency first with this command:

```
dist:peak:max?
```

The above command returns the frequency, amplitude pair of the maximum peak value. For the current example, a value of 1000,-12 would be returned, a frequency of 1kHz and an amplitude of -12dBV.

Now we can search the buffer for the second highest peak value:

```
dist:peak:next?
```

In this example, a value of 3e3,-14 would be returned, a frequency of 3kHz and an amplitude of -14dBV.

Finally, this command can be sent to search for the third highest peak value:

```
dist:peak:next?
```

With the current example, a value of 600,-20 would be returned, a frequency of 600Hz and an amplitude of -20dBV.

## Delta programming example

The delta function returns the difference in amplitude (in dBV) between the reference marker amplitude and the present location amplitude. As an example of using the delta function, assume once again the device is being stimulated with a 1kHz signal at 250mV (-12dBV), and that there are three dominant amplitudes at three frequencies:

- 600Hz, 100mV (-20dBV)
- 1000Hz, 250mV (-12dBV)
- 3000Hz, 200mV (-14dBV)

A summary of commands and a brief description of each for the delta programming example are provided in [Table 2-5](#).

**Table 2-5**

*Delta programming example*

Command	Description
init:cont off	Set the trigger model for single reading mode.
trig:count 1	Set trigger count to 1.
func 'dist'	Set the function to measure distortion.
dist:freq 20	Force the analysis to 20Hz frequency bins.
outp:freq 1000	Program the output sine wave frequency.
outp:ampl 0.250	Program the output sine wave amplitude.
outp on	Turn on source.
init	Trigger reading.
fetch?	Request reading to synchronize.
dist:peak:max?	Find max value (it is at 1kHz, -12dBV).
dist:peak:sref	Mark location as the reference point.
dist:peak:sfr 600	Move to 600Hz location.
dist:peak:delta?	Query the delta frequency and delta amplitude (relative to the amplitude at 1kHz). Will return 400Hz (1kHz – 600Hz) and +8dBV [-12dBV – (-20dBV)].
dist:peak:sfr 3e3	Move to the 3kHz location.
dist:peak:delta?	Query the delta frequency and delta amplitude (relative to the amplitude at 1kHz). Will return -2000Hz (1kHz – 3kHz) and +2dBV [-12dBV – (-14dBV)].

## Frequency list programming example

The command sequence in [Table 2-6](#) analyzes a list of frequencies. When the last command in the table (LIST:DATA?) is executed and the Model 2015P is addressed to talk, the amplitudes for 1000Hz, 1100Hz, and 1200Hz are sent to the computer.

**Table 2-6**  
*Frequency list programming example*

Command	Description
init:cont off	Set the trigger model for single reading mode.
trig:count 1	Set trigger count to 1.
func 'dist'	Select the distortion measurement function.
dist:freq 20	Force the analysis to 20Hz frequency bins.
output:freq 1000	Program the output sine wave frequency (1000Hz).
output:ampl 0.25	Program the output sine wave amplitude (0.25V rms).
output on	Turn on source.
init	Trigger reading.
fetch?	Request reading to synchronize.
dist:peak:list 1e3, 1.1e3, 1.2e3	Specify frequency list (1000Hz, 1100Hz, and 1200Hz).
dist:peak:list:data?	Request the amplitudes for the three frequencies in the list.

# Measurement Queries

This is to summarize the various queries found in the Model 2000 and its derivatives (2010, 2015, 2016, 2700, 2750). Specifically, this is to clarify exactly what each query does, what its limitations are, and when each is appropriate.

## **:FETCh?**

### **What it does:**

This command will simply return the latest available reading from an instrument.

### **Limitations:**

If the instrument does not have a reading available (indicated by dashes in the display), sending this command will cause a -230, "Data corrupt or stale" error. This query will not cause the box to trigger a reading, nor will it "wait" for a result if a reading is in progress. It is possible to get the same reading over and over using this query. It will continue to give the same result until one of two things has happened:

- A new reading has been triggered
- The old reading has been invalidated by changing ranges, or by changing function.

### **When appropriate:**

Since this query does not trigger a reading, and can give duplicate results, there are not many cases where this command should be used. The ":DATA:FRESH?" query (see page 2-56) is often a better choice. If this query is used, the following conditions should be met:

- A reading has been triggered, either by free running (:INIT:CONT ON and :TRIG:SOUR IMM), by some event such as a bus trigger (\*TRG), or by an external trigger (:TRIG:SOUR EXT).
- It is confirmed that the reading is completed, either by the setting of the RAV bit in the status model, or by allowing sufficient time to pass for the reading to complete.

## **:READ?**

### **What it does:**

This command performs three actions. It will reset the trigger model to the idle layer (equivalent to the :ABORT command), take the trigger model out of idle (equivalent to the :INIT command), and return a reading (equivalent to a "FETCh?" query). This command will always return a new reading, since aborting the trigger model will invalidate any old readings and trigger a new one. This query will "wait" for a new reading to become available before the instrument sends a result back.

### **Limitations:**

This command will not work if the trigger source is set for BUS or EXTERNAL. This will cause a -214, "Trigger deadlock" error. Under this condition, one should use a ":FETCh?" query or a ":DATA:FRESH?" Query (see below). If the trigger model is continuously initiating (:INIT:CONT ON), sending this query may cause a -213, "Init ignored" error, but will still give a new reading.

### **When appropriate:**

If the box receives a \*RST command, then it defaults to :INIT:CONT OFF, :TRIG:SOUR IMM, and :TRIG:COUNT 1. Sending a ":READ?" query under these conditions will trigger a new reading.

## **:MEAS:[function]?**

### **What it does:**

This query will reconfigure the instrument to the function specified in the query, set the trigger source for immediate, set the trigger count to 1, and configure the measurement parameters to \*RST defaults. It will then trigger a single reading, and return the result.

### **Limitations:**

This query is much slower than a ":READ?" or ":FETCh?" query because it has to reconfigure the instrument each time it is sent. It will reset the NPLC, autoranging, and averaging to defaults.

### **When appropriate:**

This is an ideal command for taking one-shot measurements if the default settings for a measurement are appropriate and speed is not a requirement.

## **[[:SENSE[1]]]:DATA:FRESH?**

### **What it does:**

This query is similar to the ":FETCh?" in that it returns the latest reading from the instrument, but has the advantage of making sure that it does not return the same reading twice.

### **Limitations:**

Like the ":FETCh?" query, this command does not trigger a reading.

### **When appropriate:**

This is a much better choice than the ":FETCh?" query because it can not return the same reading twice. This would be a good query when triggering by BUS or EXTERNAL, because it will wait for a reading to complete if a reading is in progress.

The ":CALC:DATA:FRESH?" query is similar to the ":DATA:FRESH?" query, but applies to readings which have math applied to them (e.g.: the MX+B scaling).

## **[[:SENSE[1]]]:DATA:LATest?**

### **What it does:**

This query will return the last reading the instrument had, regardless of what may have invalidated that reading, such as changing ranges or functions.

### **Limitations:**

This query is fully capable of returning meaningless, old data.

### **When appropriate:**

If, for some reason, the user wanted the last completed reading, even after changing ranges or other measurement settings, which would invalidate the old reading.

The ":CALC:DATA:LATest?" query is similar to the ":DATA:LAT?" query, but applies to readings which have math applied to them (e.g.: the MX+B scaling).







---

# 3 Measurement Options

# Introduction

This section describes the front panel features of the Model 2015. For those measurement options accessible only by a remote interface, refer to Sections 4 and 5. This section is organized as follows:

- **Measurement configuration** — Describes ranging, filtering, relative readings, digits of resolution, and measurement rate.
- **Trigger operations** — Uses a trigger model to explain trigger modes and sources.
- **Buffer operations** — Discusses the reading storage buffer and buffer statistics.
- **Limit operations** — Defines how to set reading limits.
- **Scan operations** — Explains the external scanning capabilities.
- **System operations** — Gives details on setup saving and restoring, selecting a remote interface, and accessing test and calibration.

## Measurement configuration

The following paragraphs discuss configuring the multimeter for making measurements. See the end of Appendix A for information about optimizing readings for speed or accuracy.

### Range

The selected measurement range affects both the ultimate digits and accuracy of the measurements as well as the maximum signal that can be measured. The range setting (fixed or auto) for each measurement function is saved when changing functions.

### Maximum readings

The full scale readings for every range on each function are 20% overrange except for the 1000VDC, 750VAC, 3ADC, 3AAC, diode test, and distortion ranges.

Input values more than the maximum readings cause the "OVERFLOW" messages to be displayed.

### Manual ranging

To select a range, simply press the RANGE ▲ or ▼ key. The instrument changes one range per keypress. The selected range is displayed for one second.

If the instrument displays the "OVERFLOW" message on a particular range, select a higher range until an on-range reading is displayed. Use the lowest range possible without causing an overflow to ensure best accuracy and resolution.

**NOTE** *Temperature and continuity functions have just one range.*

## Autoranging

To enable autoranging, press the AUTO key. The AUTO annunciator turns on when autoranging is selected. While autoranging is selected, the instrument automatically chooses the best range to measure the applied signal. Autoranging should not be used when optimum speed is required.

Note that up-ranging occurs at 120% of range, while down-ranging occurs at 10% of nominal range, except for distortion measurements. Up-ranging for the distortion function is 106-112% of range, while down-ranging is approximately 8.5% of range.

To cancel autoranging, press AUTO or the RANGE ▲ or ▼ key. Pressing AUTO to cancel autoranging leaves the instrument on the present range.

The AUTO key has no effect on the temperature, continuity, and diode test functions.

## Filter

FILTER lets you set the filter response to stabilize noisy measurements. The Model 2015 uses a digital filter, which is based on reading conversions. The displayed, stored, or transmitted reading is simply an average of a number of reading conversions (from 1 to 100).

To select a filter:

1. Press FILTER once if the FILT annunciator is off; press twice if FILT is on.
2. Enter the number of readings.
3. Select the type of filter you want (moving average or repeating), then press ENTER.

The FILT annunciator turns on. When a filter is enabled, the selected filter configuration for that measurement function is in effect.

Pressing FILTER once disables the filter.

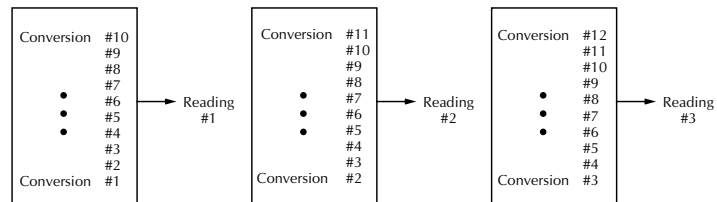
**NOTE** *The filter can be set for any measurement function except frequency, period, continuity, and diode test.*

## Filter types

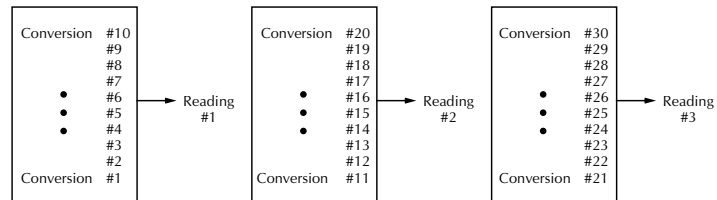
The moving average filter (Figure 3-1) uses a first-in, first-out stack. When the stack becomes full, the measurement conversions are averaged, yielding a reading. For each subsequent conversion placed into the stack, the oldest conversion is discarded, and the stack is re-averaged, yielding a new reading.

For the repeating filter (Figure 3-1), the stack is filled and the conversions are averaged to yield a reading. The stack is then cleared and the process starts over. Choose this filter for scanning so readings from other channels are not averaged with the present channel.

**Figure 3-1**  
*Moving average and repeating filters*



A. Type - Moving Average, Readings = 10



B. Type - Repeating, Readings = 10

## Response time

The filter parameters have speed and accuracy tradeoffs for the time needed to display, store, or output a filtered reading. These affect the number of reading conversions for speed versus accuracy and response to input signal changes.

---

## Relative

The rel (relative) function can be used to null offsets or subtract a baseline reading from present and future readings. When rel is enabled, the instrument uses the present reading as a relative value. Subsequent readings will be the difference between the actual input value and the rel value.

**NOTE** *The rel function is not supported for distortion measurements.*

You can define a rel value for each function. Once a rel value is established for a measurement function, the value is the same for all ranges. For example, if 50V is set as a rel value on the 100V range, the rel is also 50V on the 1000V, 10V, 1V, and 100mV ranges.

Thus, when you perform a zero correction for DCV,  $\Omega 2$ , and  $\Omega 4$  measurements by enabling REL, the displayed offset becomes the reference value. Subtracting the offset from the actual input zeroes the display, as follows:

$$\text{Actual Input} - \text{Reference} = \text{Displayed Reading}$$

A rel value can be as large as the highest range.

Selecting a range that cannot accommodate the rel value does not cause an overflow condition, but it also does not increase the maximum allowable input for that range. For example, on the 10V range, the Model 2015 still overflows for a 12V input.

To set a rel (relative) value, press REL key when the display shows the value you want as the relative value. The REL annunciator turns on. Pressing REL a second time disables rel.

You can input a REL value manually using the mX+b function. Set M for 1 and B for any value you want. Pressing REL enables that value to be the relative value. See Section 2 for more information on the mX+b function.

## Digits

The display resolution of a Model 2015 reading depends on the DIGITS setting. It has no effect on the remote reading format. The number of displayed digits does not affect accuracy or speed. Those parameters are controlled by the RATE setting.

Perform the following steps to set digits for a measurement function:

1. Press the desired function.
2. Press the DIGITS key until the desired number of digits is displayed (3½ to 6½).

**NOTE** *Frequency and period can be displayed with four to seven digits.*

## Rate

The RATE operation sets the integration time of the A/D converter, the period of time the input signal is measured (also known as aperture). The integration time affects the usable digits, the amount of reading noise, as well as the ultimate reading rate of the instrument. The integration time is specified in parameters based on a number of power line cycles (NPLC), where 1 PLC for 60Hz is 16.67msec and 1 PLC for 50Hz and 400Hz is 20msec.

In general, the fastest integration time (FAST (0.1 PLC) from the front panel, 0.01 PLC from the bus) results in increased reading noise and fewer usable digits, while the slowest integration time (10 PLC) provides the best common-mode and normal-mode rejection. In-between settings are a compromise between speed and noise.

The RATE parameters are explained as follows:

- FAST sets integration time to 0.1 PLC. Use FAST if speed is of primary importance (at the expense of increased reading noise and fewer usable digits).
- MEDium sets integration time to 1 PLC. Use MEDium when a compromise between noise performance and speed is acceptable.
- SLOW sets integration time to 10 PLC. SLOW provides better noise performance at the expense of speed.

**NOTE** *The integration time can be set for any measurement function except frequency, period, continuity (FAST), diode test (MEDium) and distortion. For frequency and period, this value is gate time or aperture.*

*For the AC functions, MEDium and SLOW have no effect on the number of power line cycles. See the discussion on “Bandwidth” that follows.*

## Bandwidth

The rate setting for AC voltage and current measurements determines the bandwidth setting:

- Slow — 3Hz to 300kHz.
- Medium — 30Hz to 300kHz.
- Fast — 300Hz to 300kHz.

Bandwidth is used to specify the lowest frequency of interest. When the Slow bandwidth (3Hz to 300kHz) is chosen, the signal goes through an analog RMS converter. The output of the RMS converter goes to a fast (1kHz) sampling A/D and the RMS value is calculated from 1200 digitized samples (1.2s).

When the Medium bandwidth (30Hz to 300kHz) is chosen, the same circuit is used. However, only 120 samples (120ms) are needed for an accurate calculation because the analog RMS converter has turned most of the signal to DC.

In the Fast bandwidth (300Hz to 300kHz), the output of the analog RMS converter (nearly pure DC at these frequencies) is simply measured at 1 PLC (16.6ms).

Table 3-1 lists the rate settings for the various measurement functions. The FAST, MED, and SLOW annunciators are only lit when conditions in the table are met. In other case, the annunciators are turned off.

**Table 3-1**

*Rate settings for the measurement functions*

<b>Function</b>	<b>Rate</b>		
	<b>Fast</b>	<b>Medium</b>	<b>Slow</b>
DCV, DCI	NPLC=0.1	NPLC=1	NPLC=10
ACV, ACI	NPLC=1, BW=300	NPLC=X, BW=30	NPLC=X, BW=3
$\Omega$ 2W, $\Omega$ 4W	NPLC=0.1	NPLC=1	NPLC=10
FREQ, PERIOD	APER=0.01s	APER=0.1s	APER=1.0s
dB, dBm (ACV)	NPLC=1, BW=300	NPLC=X, BW=30	NPLC=X, BW=3
dB, dBm (DCV)	NPLC=0.1	NPLC=1	NPLC=10
Continuity	NPLC=0.1	N/A	N/A
Diode test	N/A	NPLC=1	N/A
Distortion	NPLC=X	NPLC=X	NPLC=X

Notes:

NPLC = number of power line cycles.

BW = lower limit of bandwidth (in Hz).

APER = aperture in seconds.

N/A = not available.

X = setting ignored.



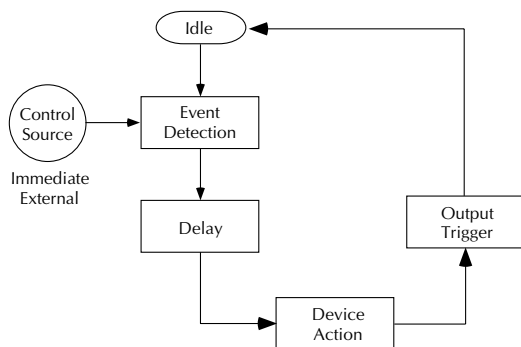
# Trigger operations

The following paragraphs discuss front panel triggering, the programmable trigger delay, the reading hold feature, and external triggering.

## Trigger model

The flowchart of [Figure 3-2](#) summarizes triggering as viewed from the front panel. It is called a trigger model because it is modeled after the SCPI commands used to control triggering. Note that for stepping and scanning, the trigger model has additional control blocks. These are described in “Scan operations” later in this section.

**Figure 3-2**  
Front panel triggering  
without stepping/  
scanning



### Idle

The instrument is considered to be in the idle state whenever it is not performing any measurements or scanning functions. From the front panel, the unit is considered idle at the end of a step or scan operation when the reading for the last channel remains displayed. To restore triggers, use the SHIFT-HALT keys.

Once the Model 2015 is taken out of idle, operation proceeds through the flowchart.

### Control source and event detection

The control source holds up operation until the programmed event occurs and is detected. The control sources are described as follows:

- Immediate — With this control source, event detection is immediately satisfied allowing operation to continue.
- External — Event detection is satisfied for any of three conditions:
  - An input trigger via the Trigger Link line EXT TRIG is received.
  - A bus trigger (GET or \*TRG) is received.
  - The front panel TRIG key is pressed. (The Model 2015 must be taken out of remote before it will respond to the TRIG key. Use the LOCAL key or send LOCAL 716 over the bus.)

## Delay

A programmable delay is available after event detection. It can be set manually or an auto delay can be used. With auto delay, the Model 2015 selects a delay based on the function and range. The AUTO settings are listed in [Table 3-2](#).

**Table 3-2**

*Auto delay settings*

<b>Function</b>	<b>Range and delay</b>						
DCV	100mV	1V	10V	100V	1000V		
	1ms	1ms	1ms	5ms	5ms		
ACV, Distortion	100mV	1V	10V	100V	750V		
	400ms	400ms	400ms	400ms	400ms		
FREQ	100mV	1V	10V	100V	750V		
	1ms	1ms	1ms	1ms	1ms		
DCI	10mA	100mA	1A	3A			
	2ms	2ms	2ms	2ms			
ACI			1A	3A			
			400ms	400ms			
$\Omega$ 2W, $\Omega$ 4W	100 $\Omega$	1k $\Omega$	10k $\Omega$	100k $\Omega$	1M $\Omega$	10M $\Omega$	100M $\Omega$
	3ms	3ms	13ms	25ms	100ms	150ms	250ms
Continuity		1k $\Omega$					
Diode testing		3ms					
		1mA	100 $\mu$ A	10 $\mu$ A			
		1ms	1ms	1ms			

The delay function is accessed by pressing the SHIFT-DELAY keys. The present delay setting (AUTO or MANual) is displayed. Use the ▲ and ▼ keys to select the type of delay. If MANual is chosen, also enter the duration of the delay. The maximum is shown following:

99H:99M:99.999S

Press ENTER to accept the delay or EXIT for no change.

Changing the delay to MANual on one function changes the delays on all functions to MANual.

## Device actions

The primary device action is a measurement. However, the device action block could include the following additional actions:

- Source and Delay (while in LIST mode) — If MODE is set to LIST (rather than FIXED), readings will be taken for each listed amplitude and frequency pair, up to the maximum number of pairs allowed (see :OUTPut:LIST command in Section 5). This sweep functionality is tied into Device Action so all trigger model features such as SAMP:COUN, TRIG:COUN, and also the different trigger sources are functional while in LIST mode.
- Filtering — If the repeating filter is enabled, the instrument samples the specified number of reading conversions to yield a single filtered reading. Only one reading conversion is performed if the filter is disabled, or after the specified number of reading conversions for a moving average filter is reached. The output of filter feeds hold.
- Hold — With hold enabled, the first processed reading becomes the “seed” reading and operation loops back within the device action block. After the next reading is processed, it is checked to see if it is within the selected window (0.01%, 0.1%, 1%, 10%) of the “seed” reading. If the reading is within the window, operation again loops back within the device action block. This looping continues until the specified number (2 to 100) consecutive readings are within the window. If one of the readings is not within the window, the instrument acquires a new “seed” reading and the hold process continues.
- Channel closure — When stepping or scanning, the last device action is to open the previous channel (if closed) and close the next channel. Using the hold feature provides an auto settling time for the scanner relays. Each open/close transition will restart the hold process and a reading for each channel will not occur until the relay settles.

## Output trigger

After the device action, an output trigger occurs and is available at the rear panel Trigger Link connector. This trigger can be used to trigger another instrument to perform an operation (e.g., select the next channel for an external scan).

## Counters

The trigger model for stepping and scanning contains additional blocks for counting samples (the number of channels to scan) and counting triggers. These counters are explained in the paragraph “Scan operations” later in this section.

## Reading hold (autosettle)

When a hold reading is acquired as described in “Device actions”, an audible beep is sounded (if enabled) and the reading is considered a “true measurement”. The reading is held on the display until an “out of window” reading occurs to restart the hold process.

When operating remotely or scanning, the hold process seeks a new “seed” once it has been satisfied and the reading has been released. When operating from the front panel, the hold process does not seek a new “seed” until the held condition is removed.

## Hold example

1. Enable HOLD, select a window percentage and enter a count.
2. Apply test probes to a signal. Once the signal becomes stable enough to satisfy the hold condition, the reading is released, and the beeper sounds (if enabled).
3. Remove the hold condition by lifting the probes. Hold will then seek a new “seed”.

## External triggering

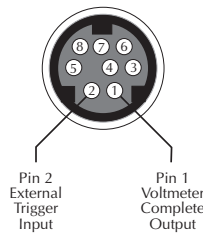
The EXT TRIG key selects triggering from two external sources: trigger link and the TRIG key. When EXT TRIG is pressed, the TRIG annunciator lights and dashes are displayed to indicate that instrument is waiting for an external trigger. From the front panel, you can press the TRIG key to trigger a single reading. Pressing the EXT TRIG key again toggles you back to continuous triggers.

The Model 2015 uses two lines of the Trigger Link rear panel connector as External Trigger (EXT TRIG) input and Voltmeter Complete (VMC) output. The EXT TRIG line allows the Model 2000 to be triggered by other instruments. The VMC line allows the Model 2000 to trigger other instruments.

At the factory, line 1 is configured as VMC and line 2 as EXT TRIG. (Changing this configuration is described in the optional Model 2015 Repair Manual.) A connector pinout is shown in [Figure 3-3](#).

**Figure 3-3**  
Rear panel pinout

Rear Panel Pinout



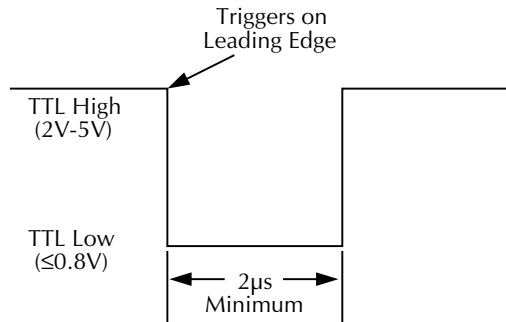
Pin Number	Description
1	Voltmeter Complete Output
2	External Trigger Input
3	no connection *
4	no connection *
5	no connection *
6	no connection *
7	Signal Ground
8	Signal Ground

\* Either pin 3 or 5 may be configured as an output instead of pin 1. Either pin 4 or 6 may be configured as an input instead of pin 2. See the optional Model 2000 Repair Manual for details.

## External trigger

The EXT TRIG input requires a falling-edge, TTL-compatible pulse with the specifications shown in [Figure 3-4](#). In general, external triggers can be used to control measure operations. For the Model 2015 to respond to external triggers, the trigger model must be configured for it.

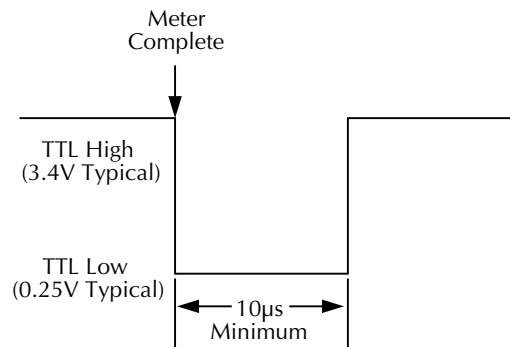
**Figure 3-4**  
Trigger link input pulse specifications (EXT TRIG)



## Voltmeter complete

The VMC output provides a TTL-compatible output pulse that can be used to trigger other instruments. The specifications for this trigger pulse are shown in [Figure 3-5](#). Typically, you would want the Model 2015 to output a trigger after the settling time of each measurement.

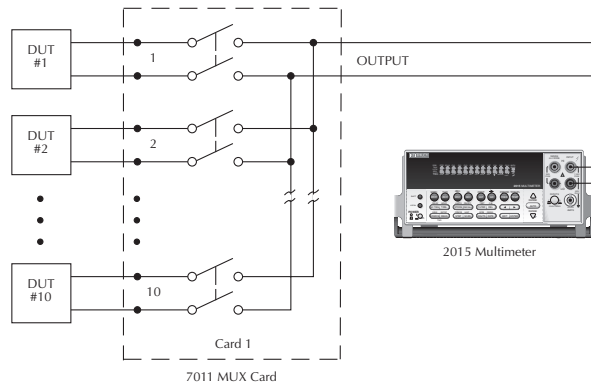
**Figure 3-5**  
Trigger link output pulse specifications (VMC)



## External triggering example

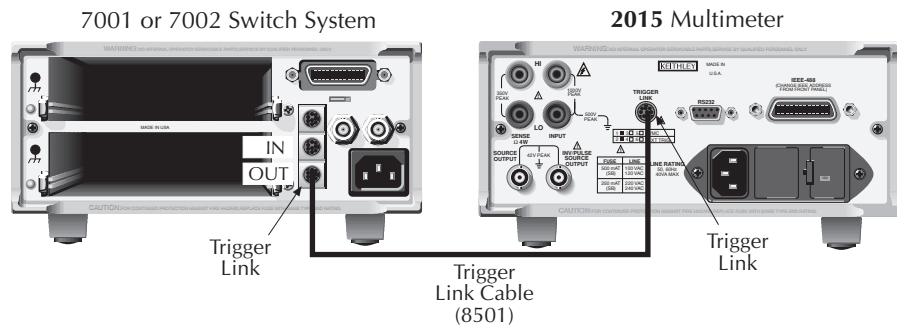
In a typical test system, you may want to close a channel and then measure the DUT connected to the channel with a multimeter. Such a test system is shown in [Figure 3-6](#), which uses a Model 2015 to measure ten DUTs switched by a Model 7011 multiplexer card in a Model 7001/7002 Switch System.

**Figure 3-6**  
DUT test system



The Trigger Link connections for this test system are shown in [Figure 3-7](#). Trigger Link of the Model 2015 is connected to Trigger Link (either IN or OUT) of the Model 7001/7002. Note that with the default trigger settings on the Model 7001/7002, line #1 is an input and line #2 is an output. This complements the trigger lines on the Model 2015.

**Figure 3-7**  
Trigger link connections



For this example, the Model 2015 and 7001/7002 are configured as follows:

#### Model 2015:

- Factory defaults restored (accessed from SHIFT-SETUP)
- External scanning, channels 1 - 10, no timer, 10 readings (accessed from SHIFT-CONFIG)
- External triggers (accessed from EXT TRIG)

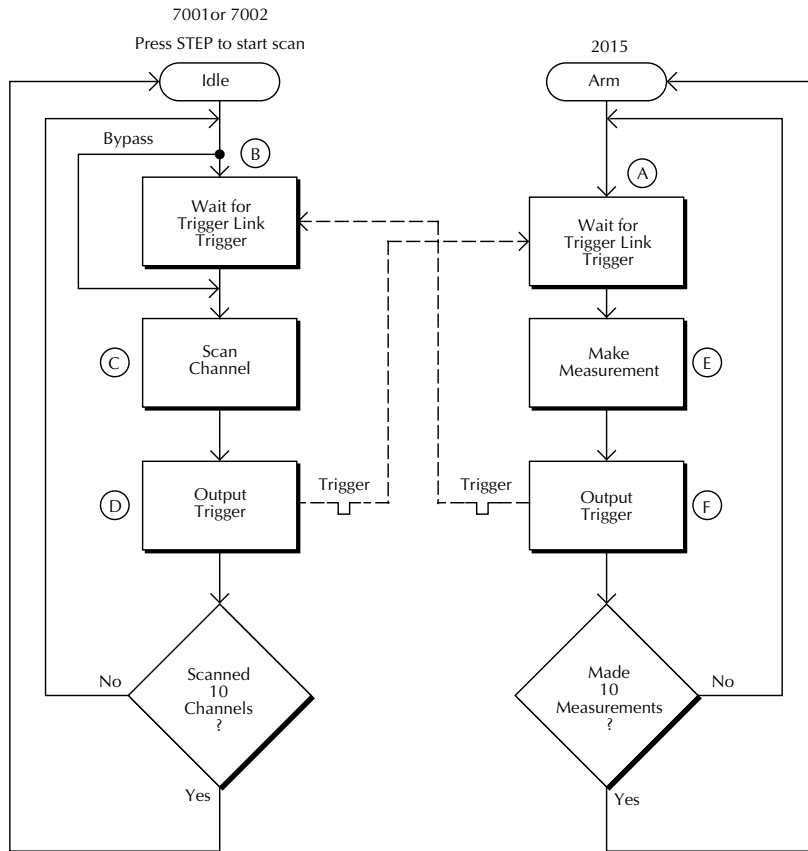
#### Model 7001 or 7002:

- Factory defaults restored
- Scan list = 1!1-1!10,
- Number of scans = 1
- Channel spacing = TrigLink

To run the test and store readings in the Model 2015 with the unit set for external triggers, press STEP or SCAN. The Model 2015 waits (with the asterisk annunciator lit) for an external trigger from the Model 7001/7002.

Press STEP on the Model 7001/7002 to take it out of idle and start the scan. The scanner's output pulse triggers the Model 2015 to take a reading, store it, and send a trigger pulse. The following explanation on operation is referenced to the operation model shown in [Figure 3-8](#).

**Figure 3-8**  
*Operation model for triggering example*



- Ⓐ Pressing EXT TRIG then STEP or SCAN on the multimeter places it at point A in the flowchart, where it is waiting for an external trigger.
- Ⓑ Pressing STEP takes the Model 7001/7002 out of the idle state and places operation at point B in the flowchart.
- Ⓒ For the first pass through the model, the scanner does not wait at point B for a trigger. Instead, it closes the first channel.
- Ⓓ After the relay settles, the Model 7001/7002 outputs a Channel Ready pulse. Since the instrument is programmed to scan ten channels, operation loops back up to point B, where it waits for an input trigger.
- Ⓔ and Ⓕ Remember that the Model 2015 operation is at point A waiting for a trigger. The output Channel Ready pulse from the Model 7001/7002 triggers the multimeter to measure DUT #1 (point E). After the measurement is complete, the Model 2015 outputs a completion pulse (point F) and then loops back to point A, where it waits for another input trigger.

The trigger applied to the Model 7001/7002 from the Model 2015 closes the next channel in the scan. This triggers the multimeter to measure the next DUT. The process continues until all ten channels are scanned and measured.



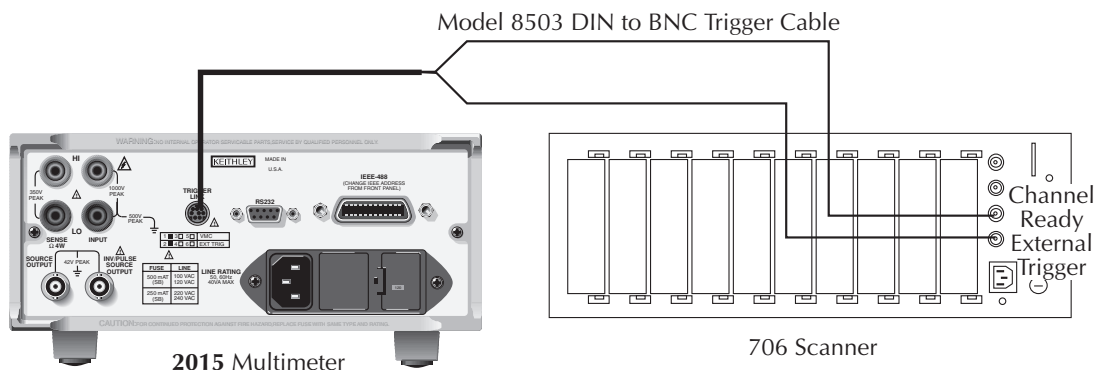
## External triggering with BNC connections

An adapter cable is available to connect the micro-DIN Trigger Link of the Model 2015 to instruments with BNC trigger connections. The Model 8503 DIN to BNC Trigger Cable has a micro-DIN connector at one end and two BNC connectors at the other end. The BNC cables are labeled VMC (trigger line 1) and EXT TRIG (trigger line 2).

Figure 3-9 shows how a Keithley Model 706 Scanner can be connected to the Trigger Link of the Model 2015 using the adapter cable. With this adapter, a Model 706 could be substituted for the Model 7001/7002 in the previous example. With the Model 706 set for External Triggering, the test would start when the single scan mode is selected and initiated.

If the Model 2015 trigger line configuration has been changed from the factory setting, the Model 8502 Trigger Link Adapter must be used to interface with instruments having BNC trigger connections. It has two micro-DIN connectors and six BNC connectors, one for each trigger line.

**Figure 3-9**  
DIN to BNC trigger cable



## Buffer operations

The Model 2015 has a buffer to store from two to 1024 readings and units. It also stores the channel number for scanned readings and overflow readings. In addition, recalled data includes statistical information, such as minimum, maximum, average, and standard deviation.

The buffer fills with the requested number of readings and stops. Readings are placed in the buffer after any math operations are performed. Buffered data is overwritten each time the storage operation is selected. The data is volatile; it is not saved through a power cycle.

The following paragraphs discuss storing and recalling buffered data.

## Storing readings

Use the following procedure to store readings:

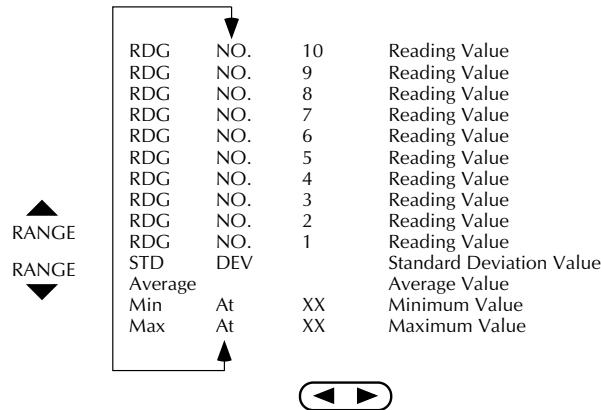
1. Set up the instrument for the desired configuration.
2. Press the STORE key.
3. Using the ◀, ▶, ▲, and ▼ keys to select the number of readings desired.
4. Press ENTER. The asterisk (\*) annunciator turns on to indicate a data storage operation. It will turn off when the storage is finished.

## Recalling readings

Use the following steps to view stored readings and buffer statistics:

1. Press RECALL. The BUFFER annunciator indicates that stored readings are being displayed. The arrow annunciator indicates that more data can be viewed with the ◀, ▶, ▲, and ▼ keys.
2. As shown in [Figure 3-10](#), use the cursor keys to navigate through the reading numbers, reading values, and statistics. For any of the buffer statistics (maximum, minimum, average, standard deviation), the STAT annunciator is on.
3. Use the EXIT key to return to the normal display.

**Figure 3-10**  
Buffer locations



## Buffer statistics

The MAX AT and MIN AT values are the maximum and minimum values in the buffer. The AVERAGE value is the mean of the buffered readings. The equation used to calculate the mean is:

$$y = \frac{\sum_{i=1}^n X_i}{n}$$

where:  $x_i$  is a stored reading  
 $n$  is the number of stored readings

The STD DEV value is the standard deviation of the buffered readings. The equation used to calculate the standard deviation is:

$$y = \sqrt{\frac{\sum_{i=1}^n X_i^2 - \left(\frac{1}{n} \left(\sum_{i=1}^n X_i\right)^2\right)}{n-1}}$$

where:  $x_i$  is a stored reading  
 $n$  is the number of stored readings

*NOTE The Model 2015 uses IEEE-754 floating point format for math calculations.*

## Limit operations

Limit operations set and control the values that determine the HI / IN / LO status of subsequent measurements. Limits can be applied to all measurement functions except continuity. The limit test is performed after  $mX+b$  and percent math operations. Unit prefixes are applied before the limit test, for example:

- Low limit = -1.0, High limit = 1.0  
A 150mV reading equals 0.15V (IN).
- Low limit = -1.0, High limit = 1.0  
A 0.6k $\Omega$  reading equals 600 $\Omega$  (HI).

You can configure the multimeter to beep or not when readings are inside or outside of the limit range.

## Setting limit values

Use the following steps to enter high and low limit values:

1. Press the SHIFT-LIMITS keys to view the present HI1 limit value:

HI1:+1.000000 ^

This value represents the absolute value of that function.

2. Use the ◀ or ▶ keys to move to the number field. Use the ◀, ▶, ▲, and ▼ keys to enter the desired value. Move the cursor to the rightmost position (^) and use the ▲ and ▼ keys to move the decimal point.
3. Press ENTER to view the present LO1 limit value:

LO1:-1.000000 ^

This value represents the absolute value of that function.

4. Enter the desired value for this low limit.
5. Press ENTER to view the present HI2 limits value:

HI2: +2.000000^

This value represents the absolute value of that function.

6. Enter the desired value for this high limit.
7. Press ENTER to view the present LO2 limit value:

LO2: -2.000000^

This value represents the absolute value of that function.

8. Enter the desired value for the low limit. Pressing ENTER returns to the normal display.

## Enabling limits

Use the following procedure to turn on the limits operation:

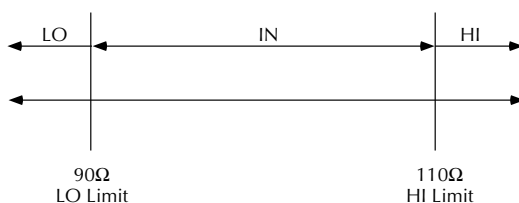
1. Press the SHIFT-ON/OFF keys to view the present beeper status:

BEEP: NEVER

2. Use the ▲ and ▼ keys to change the beeper status (NEVER, OUTSIDE, INSIDE). Press ENTER when done.

When the multimeter returns to the normal display, the HI/IN/LO status is displayed along with the reading. To disable limit testing, press SHIFT-ON/OFF again. An example of using limits to sort resistors is shown in [Figure 3-11](#).

**Figure 3-11**  
Using limit test to sort  
100Ω, 10% resistors



The CALC3:LIMit2 subsystem has all the same commands available as the CALC3:LIMit[1] subsystem. From the front panel, the same menu is used to control the beeping state and conditions (inside or outside) for both limits. Since there is only one beeper, there are two distinct tones used for the two limits, but limit set 1 will take precedence.

Example: Power up with default limits (HLIM1 = +1, LLIM1 = -1, HLIM2 = +2, LLIM2 = -2). Set the beeper to beep inside. Then, apply 0.9 volts. The beep will be higher in pitch. When the voltage is increased past 1V, the input is no longer inside limit set 1 but is still inside limit set 2. At that point, the tone of the beep will change, indicating that you are still inside limit set 2.

**NOTE** Limit 1 takes priority over Limit 2 when beeper is set to outside. No change in tone will be detected.

---

# Scan operations

The Model 2015 can be used with external scanner card installed in switching mainframes such as the Models 707, 7001, and 7002. The following paragraphs discuss various aspects of using scanning with the Model 2015.

## Scanning overview

A scanner lets you switch among a number of input signals to the Model 2015 for measurement. Refer to the documentation supplied with the scanner card for specific connection information.

When using external channels, the switching mainframe controls the opening and closing of individual channels. To synchronize Model 2015 measurements with external channel closures, connect the Trigger Link lines of the multimeter and switching mainframe. Refer to “Trigger operations” earlier in this section for details and an example on using external triggering.

## Front panel scanner controls

In addition to the trigger keys discussed previously, front panel keys that affect scanner card operation include:

- **SHIFT-CONFIG** — Selects scan list, time between scans, and reading count.
- **STEP** — Starts a stepping operation of consecutive channels, where output triggers are sent after every channel closure.
- **SCAN** — Starts a scanning operation of consecutive channels, where an output trigger is sent at the end of the scan list.
- **SHIFT-HALT** — Stops stepping or scanning and restores the trigger model to a non-scanning mode.

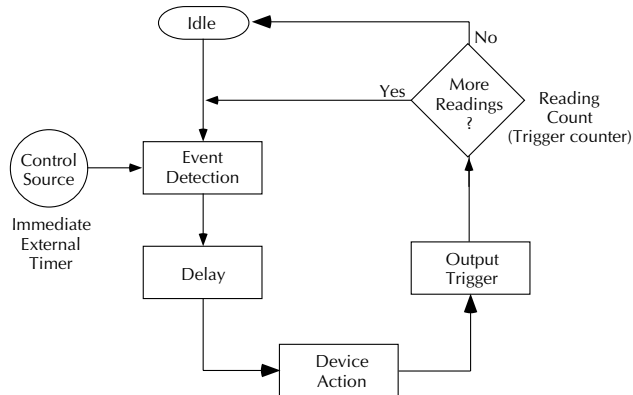
## Stepping and scanning trigger model additions

The trigger model presented in “Trigger operations” earlier in this section has some additional capabilities when stepping or scanning. These are outlined below:

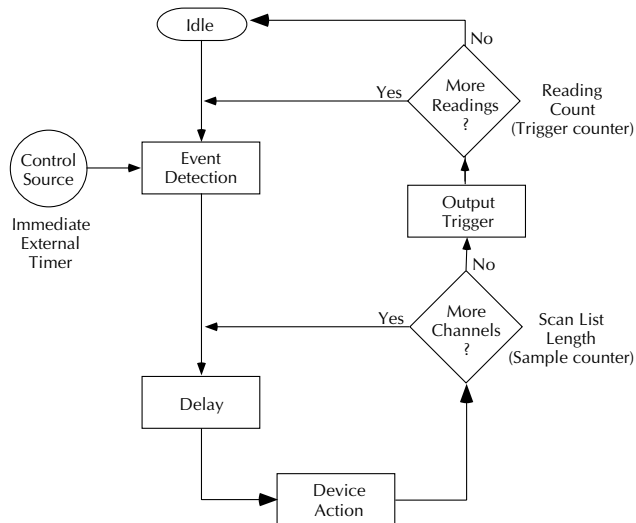
- **Timer** — With this control source, event detection is immediately satisfied on the initial pass. Each subsequent detection is satisfied when the programmed timer interval (up to 99H:99M:99.99S) elapses.
- **Reading counter** — For both stepping and scanning, the reading count can be entered from SHIFT-CONFIG. (This is referred to as the trigger counter over the bus.) The reading counter can bypass the idle state. Operation will wait until the programmed control source event occurs.
- **Channel counter** — For scanning, the scan list length (maximum channel less minimum channel) is used to bypass the control source allowing a specified number of device actions to occur. (This counter is referred to as the sample counter over the bus.)

These additional blocks are shown in the trigger models of [Figure 3-12](#) and [Figure 3-13](#). Uses of the timer control source, reading counter, and channel counter are shown in the scanning examples later in this section.

**Figure 3-12**  
*Front panel triggering with stepping*



**Figure 3-13**  
*Front panel triggering with scanning*



## Using SHIFT-CONFIG to configure stepping and scanning

From the SHIFT-CONFIG key combination, the minimum and maximum channels in the scan list, the time between scans, and the reading count.

1. To configure stepping or scanning, perform the following:
2. Select the desired measurement function.
3. Press the SHIFT-CONFIG keys to access the step/scan configuration.
4. Select the first channel in the scan list (MINimum CHANnel) by using the ◀, ▶, ▲, and ▼ keys and pressing ENTER.
5. Select the last channel in the scan list (MAXimum CHANnel) and press ENTER to confirm.
6. The next selection is for timed scans. (This is the Timer control source in the trigger model.) It sets a user-specified interval for starting scans. If you choose timed scans, the Model 2015 prompts for a time interval:

00H:00M:00.000S

Use the ◀, ▶, ▲, and ▼ keys to select a time interval and press ENTER to confirm.

7. Next, you are prompted for a reading count (RDG CNT). This can be less than, equal to, or greater than the scan list length (up to 1024). It is the number of readings that will be stored in the buffer. The effects of these choices are further described in the scanning examples.
8. Press ENTER when done to return to the normal display. Note that scanned readings are always stored in the buffer, up to the setting for RDG CNT.



## Scanning examples

The following example demonstrates the use of external scanning.

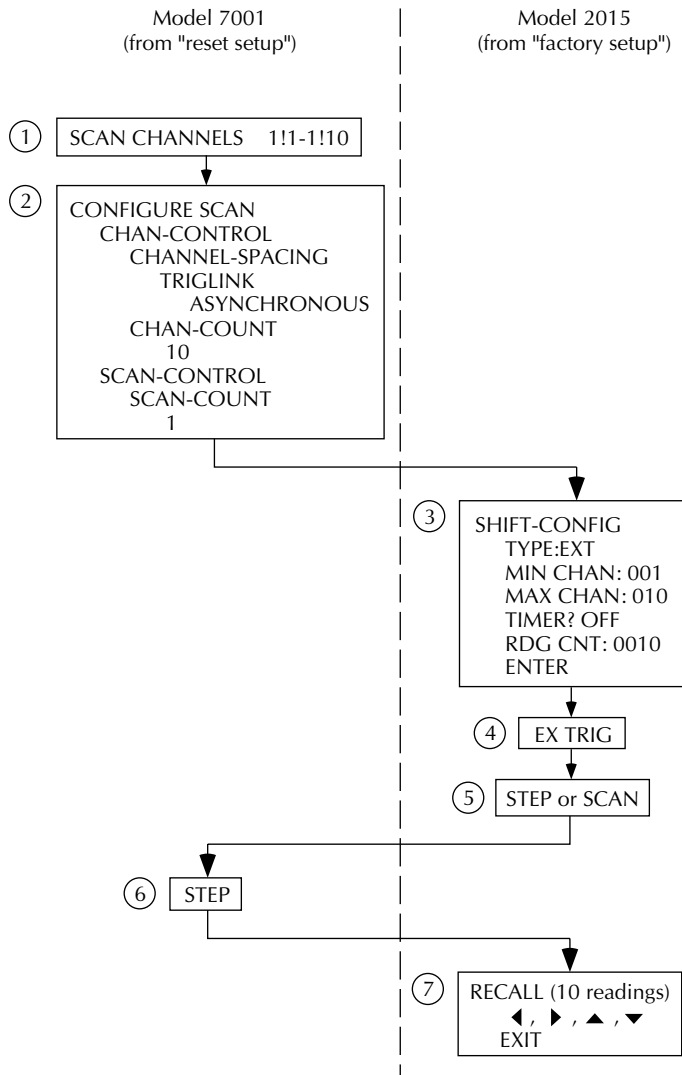
### External scanning

The example of [Figure 3-14](#) shows the front panel operations to configure an external scan. The trigger and signal connections were shown previously in “Trigger operations”. Both instrument setups assume factory defaults. Set the Model 2015 for the desired measurement function.

- ① On the Model 7001 Switch System, enter a scan list of channels 1 to 10 on card 1.
- ② Also on the Model 7001, configure the instrument for Trigger Link triggers and one scan of ten channels.
- ③ On the Model 2015 Multimeter, configure an external scan of the first ten channels.
- ④ Set the Model 2015 for external triggers by pressing EXT TRIG. The display will be dashes.
- ⑤ Press STEP or SCAN on the Model 2015. The asterisk and STEP or SCAN annunciator will light.
- ⑥ Press STEP on the Model 7001 to start channel closures.
- ⑦ After the scan, you can recall ten readings from the Model 2015 buffer.

**NOTE** *When using an external thermocouple scanner card and channel 1 as a reference, the Model 2015 only recognizes channel 1 when a step or scan is performed. If using a Model 7001 or 7002 to close channel 1 manually, the Model 2015 will not interpret that channel as the reference junction without a step or scan operation.*

**Figure 3-14**  
*External scanning example  
 with Model 7001*



## System operations

The Model 2015 has other front panel operations. Saving and restoring setup information is described in Section 2 — Basic Measurements. Selecting the remote interface and language is covered in Section 4 — Remote Operation.

### Calibration

The CAL selections are used to view the calibration date and next due date, to perform calibration, and to view the number of times calibration has been performed. Some of the items are password-protected to prevent unintended changing of calibration constants.

To view the calibration dates, press SHIFT-CAL. Press ENTER at the DATES prompt. The first date is the last time calibration was performed. The NDUE date is the calibration due date.

Running calibration is password-protected. Refer to the Model 2015 Service Manual for details.

To view the calibration count, press ENTER at the COUNT prompt.

---

# 4 Remote Operation

# Introduction

This section includes the following information:

- Selecting an interface
- RS-232 operation
- GPIB bus operation and reference
- Status structure
- Trigger model (GPIB operation)
- Programming syntax
- Common commands

## Selecting an interface

The Model 2015 THD Multimeter supports two built-in remote interfaces:

- GPIB bus
- RS-232 interface

You can use only one interface at a time. The factory interface selection is the GPIB bus. You can select the interface only from the front panel. The interface selection is stored in non-volatile memory; it does not change when power has been off or after a remote interface reset.

**NOTE** *Changing the interface (GPIB to RS-232 or RS-232 to GPIB) will clear the data buffer.*

---

## RS-232

You can connect a controller to the RS-232 interface. Some considerations for selecting the RS-232 interface are the following:

- You must define the baud rate, enable or disable software handshake XON/XOF.
- You can only use the SCPI programming language with the RS-232 interface.

To select RS-232 as the remote interface, do the following:

1. Access the RS-232 configuration by pressing SHIFT then RS232.

You see: RS232 : OFF

2. Move to the on/off selection by pressing the ► key.

You see OFF selection blinking.

3. Turn on the RS-232 interface by toggling the selection to ON using the ▼ or ▲ key and press ENTER.

You can exit the configuration menu by pressing EXIT.

For more information about the RS-232 interface, see section RS-232 operation.

## GPIB bus

The GPIB bus is the IEEE-488 interface. You must select a unique address for the Model 2015 THD Multimeter. The address is displayed when the multimeter is turned on. At the factory, the address is set to 16.

Since GPIB is the interface selection defined by the factory, only follow these steps to select the GPIB interface if you have been previously using the RS-232 remote programming interface:

1. Select the GPIB option by pressing SHIFT then GPIB.

You see: GPIB: OFF

2. Move to the on/off selection by pressing the ► key.

You see OFF selection blinking slowly.

3. Turn on the GPIB interface by toggling the selection to ON using the ▼ or ▲ key and press ENTER.

Turning off the RS-232 interface automatically selects GPIB as the remote programming interface.

# RS-232 operation

## Sending and receiving data

The RS-232 interface transfers data using 8 data bits, 1 stop bit, and no parity. Make sure the controller you connect to the multimeter also uses these settings.

You can break data transmissions by sending a ^C or ^X character string to the multimeter. This clears any pending operation and discards any pending output.

## Selecting baud rate

The baud rate is the rate at which the Model 2015 THD Multimeter and the programming terminal communicate. Choose one these available rates:

- 19.2k
- 9600
- 4800
- 2400
- 1200
- 600
- 300

The factory selected baud rate is 4800.

When you choose a baud rate, make sure that the programming terminal that you are connecting to the Model 2015 THD Multimeter can support the baud rate you selected. Both the multimeter and the other device must be configured for the same baud rate. To select a baud rate, follow these steps:

1. Access the RS-232 configuration by pressing SHIFT then RS232.  
You see: RS232: ON (assuming you have already selected the RS-232 interface)
2. Go to the baud rate field by pressing the ▼ key.  
You see BAUD:<rate>.
3. Access the baud rate list by pressing the ► key You see the rate selection blinking.
4. Scroll through the available rates by pressing the ▼ and ▲ key until you find the rate you want.
5. Confirm your selection by pressing ENTER. The multimeter prompts you to define signal handshaking. Continue on for information about handshaking. You can return to measurement mode by pressing EXIT.

---

## Selecting signal handshaking (flow control)

Signal handshaking between the controller and the instrument allows the two devices to communicate to each other regarding being ready or not ready to receive data. The Model 2015 does not support hardware handshaking (flow control).

Software flow control is in the form of X\_\_ON and X\_\_OFF characters and is enabled when XonXoFF is selected from the RS232 FLOW menu. When the input queue of the Model 2015 becomes more than 3/4 full, the instrument issues an X\_\_OFF command. The control program should respond to this and stop sending characters until the Model 2015 issues the X\_\_ON, which it will do once its input buffer has dropped below half-full. The Model 2015 recognizes X\_\_ON and X\_\_OFF sent from the controller. An X\_\_OFF will cause the Model 2015 to stop outputting characters until it sees an X\_\_ON. Incoming commands are processed after the <CR> character is received from the controller.

If NONE is the selected flow control, then there will be no signal handshaking between the controller and the Model 2015. Data will be lost if transmitted before the receiving device is ready.

Perform the following steps to set flow control:

1. Access the RS-232 configuration by pressing SHIFT and then RS232. You see: RS 232: ON (assuming you have already selected the RS-232 interface).
2. Go to the flow control field by using the ▲ or ▼ key. You see FLOW: <control>.
3. Access the flow control options by pressing the ► key. You see the flow control selection blinking.
4. Use the ▲ or ▼ key to display the desired flow control (NONE or XonXoFF) and press ENTER. You will then be prompted to set the terminator. Continue on for information about the terminator. You can return to the measurement mode by pressing EXIT.

## Setting terminator

The Model 2015 can be configured to terminate each program message that it transmits to the controller with any combination of <CR> and <LF>. Perform the following steps to set the terminator:

1. Access the RS-232 configuration by pressing SHIFT and then RS232.  
You see: RS 232: ON (assuming you have already selected the RS-232 interface).
2. Go to the terminator field by using the ▲ or ▼ key.  
You see TX TERM: <terminator>.
3. Access the terminator options by pressing the ► key.  
You see the terminator selection blinking.
4. Use the ▲ or ▼ key to display the desired terminator (LF, CR, or LFCR) and press ENTER. The instrument will return to the measurement mode.

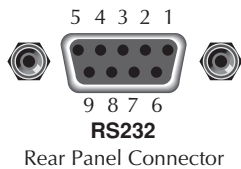


## RS-232 connections

The RS-232 serial port can be connected to the serial port of a controller (i.e., personal computer) using a straight through RS-232 cable terminated with DB-9 connectors. **Do not use a null modem cable.** The serial port uses the transmit (TXD), receive (RXD) and signal ground (GND) lines of the RS-232 standard. It does not use the hardware handshaking lines CTS and RTS. [Figure 4-1](#) shows the rear panel connector for the RS-232 interface, and [Table 4-1](#) shows the pinout for the connector.

If your computer uses a DB-25 connector for the RS-232 interface, you will need a cable or adapter with a DB-25 connector on one end and a DB-9 connector on the other, wired straight through (not null modem).

**Figure 4-1**  
RS-232 interface  
connector



**Table 4-1**  
RS-232 connector pinout

Pin number	Description
1	no connection
2	TXD, transmit data
3	RXD, receive data
4	no connection
5	GND, signal ground
6	no connection
7	CTS, clear to send <sup>1</sup>
8	RTS, ready to send <sup>1</sup>
9	no connection

<sup>1</sup>CTS and RTS signals are not used.

## Error messages

See Appendix B for RS-232 error messages.

# GPIB bus operation and reference

## Introduction

This section contains information about connecting to and using the GPIB (IEEE-488) bus. The information is organized as follows:

- GPIB bus standards
- GPIB bus connections
- Selecting the primary address
- QuickBASIC 4.5 programming
- General bus commands
- Front panel GPIB operation

## GPIB bus standards

The GPIB bus is the IEEE-488 instrumentation data bus with hardware and programming standards originally adopted by the IEEE (Institute of Electrical and Electronic Engineers) in 1975. The Model 2015 THD Multimeter conforms to these standards:

- IEEE-488-1987.1
- IEEE-488-1987.2

This standard defines a syntax for sending data to and from instruments, how an instrument interprets this data, what registers should exist to record the state of the instrument, and a group of common commands.

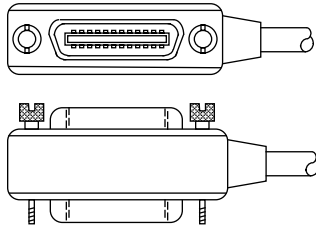
- SCPI 1991 (Standard Commands for Programmable Instruments)

This standard defines a command language protocol. It goes one step farther than IEEE-488-1987.2 and defines a standard set of commands to control every programmable aspect of an instrument.

## GPIB bus connections

To connect the Model 2015 THD Multimeter to the GPIB bus, use a cable equipped with standard IEEE-488 connectors as shown in [Figure 4-2](#).

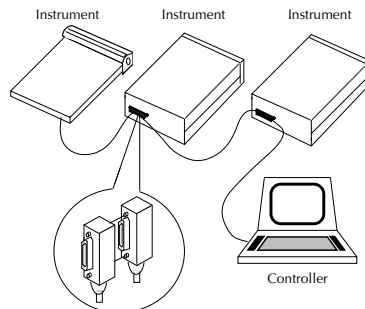
**Figure 4-2**  
*IEEE-488  
connector*



To allow many parallel connections to one instrument, stack the connector. Two screws are located on each connector to ensure that connections remain secure. Current standards call for metric threads, which are identified with dark-colored screws. Earlier versions had different screws, which were silver-colored. Do not use these types of connectors on the Model 2015 THD Multimeter, because it is designed for metric threads.

[Figure 4-3](#) shows a typical connecting scheme for a multi-unit test system.

**Figure 4-3**  
*IEEE-488  
connections*



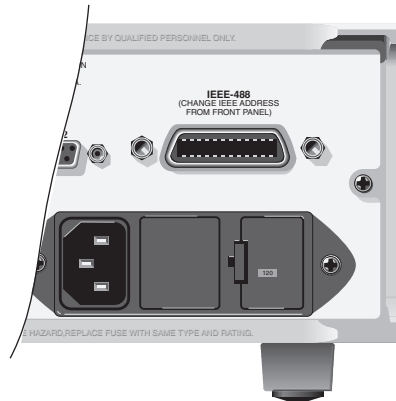
To avoid possible mechanical damage, stack no more than three connectors on any one unit.

**NOTE** To minimize interference caused by electromagnetic radiation, use only shielded IEEE-488 cables. Available shielded cables from Keithley are models 7007-1 and 7007-2.

To connect the Model 2015 THD Multimeter to the IEEE-488 bus, follow these steps:

1. Line up the cable connector with the connector located on the rear panel. The connector is designed so that it will fit only one way. [Figure 4-4](#) shows the location of the IEEE-488 connector.

**Figure 4-4**  
*IEEE-488 connector location*



2. Tighten the screws securely, making sure not to over tighten them.
3. Connect any additional connectors from other instruments as required for your application.
4. Make certain that the other end of the cable is properly connected to the controller. Most controllers are equipped with an IEEE-488 style connector, but a few may require a different type of connecting cable. See your controllers instruction manual for information about properly connecting to the IEEE-488 bus.

**NOTE** *You can only have 15 devices connected to a IEEE-488 bus, including the controller. The maximum cable length is either 20- meters or two meters times the number of devices, whichever is less. Not observing these limits may cause erratic bus operation.*

## Selecting the primary address

The Model 2015 THD Multimeter ships from the factory with a GPIB address of 16. When the multimeter powers up, it momentarily displays the primary address. You can set the address to a value of 0-30. Do not assign the same address to another device or to a controller that are on the same GPIB bus.

Usually controller addresses are 0 or 21, but see the controllers instruction manual for details. Make certain that the address of the controller is the same as that specified in the controllers programming language.

To change the primary address, follow these steps:

1. Access the GPIB configuration settings by pressing **SHIFT** then **GPIB**.  
You see: `GPIB:ON`, with `GPIB` blinking
2. Go to Address choice by pressing the **▼** key.  
You see: `ADDR:16`
3. Go to the numeric field by pressing the **▶** key.
4. Enter a new address from 0-30 by using the **▲** and **▼**; press **ENTER**.
5. Return to the main display by pressing **EXIT**.

## QuickBASIC 4.5 programming

Programming examples are written in Microsoft QuickBASIC 4.5 using the Keithley KPC-488.2 (or Capital Equipment Corporation) IEEE interface and the HP-style Universal Language Driver (CECHP).

### Install the universal language driver

Before any programming example can be run, the Universal Language Driver must first be installed. To install the driver, from the DOS prompt, enter this command:

```
cechp
```

If you include the `CECHP` command in your `AUTOEXEC.BAT` file, the driver will automatically be installed every time you turn on your computer.

## About program fragments

Program fragments are used to demonstrate proper programming syntax. As the name implies, only a fragment of the whole program is used to avoid redundancy.

At the beginning of each program, driver files have to be opened. The input terminator should be set for CRLF. For example:

```
OPEN "ieee" FOR OUTPUT AS #1
OPEN "ieee" FOR INPUT AS #2
PRINT #1, "interm crlf"
```

A typical program fragment includes an OUTPUT command and an ENTER command. The OUTPUT command sends a program message (command string) to the Model 2015 THD Multimeter. If the program message includes a query command, then the ENTER command is required to get the response message from the Model 2015 THD Multimeter. The ENTER command addresses the Model 2015 THD Multimeter to talk. The following example program fragment demonstrates how OUTPUT and ENTER commands are used. Note that the commands assume address 16, which is the factory-set address of the Model 2015 THD Multimeter.

```
PRINT #1, "output 16; :func 'volt:ac'; func?"
PRINT #1, "enter 16"
```

If you wish to display the response message on the CRT, the computer will have to read the message and then “print” it to the CRT display as follows:

```
LINE INPUT #2, A$
PRINT A$
```

The following programming example shows how all the above statements are used together. The program fragment is shown in bold typeface.

```
OPEN "ieee" FOR OUTPUT AS #1           'Open driver
OPEN "ieee" FOR INPUT AS #2           'Open driver
PRINT #1, "interm crlf"                'CRLF terminator
PRINT #1, "output 16;:func 'volt:ac'; func?"
                                         'Select ACV and query
PRINT #1, "enter 16"                   'Get response message
LINE INPUT #2, A$                       'Read response message
PRINT A$                                 'Display message
```

## General Bus Commands

### General Bus Commands and Associated Statements

General commands are those commands, such as DCL, that have the same general meaning regardless of the instrument. Table 4-2 lists the general bus commands along with the programming statement for each command, which use the Keithley KPC-488.2 IEEE interface and the HP- style Universal Language Driver. Note that the commands requiring that the primary address be specified assume that the address is the factory-set address of 16.

**Table 4-2**  
*General bus commands and associated statements*

Command	Programming statement	Effect on Model 2015 THD Multimeter
REN	REMOTE 16	Goes into effect when next addressed to listen.
IFC	ABORT	Goes into talker and listener idle states.
LLO	LOCAL LOCKOUT	LOCAL key locked out.
GTL	LOCAL 16	Cancel remote; restore front panel operation for the 2015.
	LOCAL	Cancel remote; restore front panel operation for all devices.
DCL	CLEAR	Return all devices to known conditions.
SDC	CLEAR 16	Returns Model 2015 to known conditions.
GET	TRIGGER 16	Initiates a trigger.
SPE, SPD	S POLL 16	Serial Polls the Model 2015.

### REN (remote enable)

The remote enable command is sent to the Model 2015 by the controller to set up the instrument for remote operation. Generally, the instrument should be placed in the remote mode before you attempt to program it over the bus. Simply setting REN true does not actually place the instrument in the remote state. You must address the instrument to listen after setting REN true before it goes into remote.

Note that the instrument need not be in remote to be a talker.

Program fragment

```
PRINT #1, "remote 16"           'Place the Model 2015 in remote;
                                turn on REM annunciator
```

Note that all front panels controls except for LOCAL (and POWER) are inoperative while the instrument is in remote. You can restore normal front panel operation by pressing the LOCAL key.

## IFC (interface clear)

The IFC command is sent by the controller to place the Model 2015 THD Multimeter in the local, talker, listener idle states. The unit responds to the IFC command by canceling front panel TALK or LSTN lights, if the instrument was previously placed in one of those states.

Note that this command does not affect the status of the instrument; settings, data, and event registers are not changed.

To send the IFC command, the controller need only set the IFC line true for a minimum of 100 $\mu$ s.

### Program fragment

```
PRINT #1, "output 16; *idn?"      'Send query command
PRINT #1, "enter 16"            'Read data; turn on TALK
                                  annunciator
SLEEP 3                          'Wait 3 seconds
PRINT #1, "abort"               'Talker idle state; turn off TALK
                                  annunciator
```

## LLO (local lockout)

Use the LLO command to prevent local operation of the instrument. After the unit receives LLO, all its front panel controls except the POWER are inoperative. In this state, pressing the LOCAL will not restore control to the front panel. The GTL command restores control to the front panel.

### Program fragment

```
PRINT #1, "remote 16"           'Place 2015 in remote
PRINT #1, "local lockout"       'Lock out front panel (including
                                  LOCAL key)
SLEEP 6                          'Wait 6 seconds
PRINT #1, "local 16"           'Restore front panel operation
```

## GTL (go to local)

Use the GTL command to put a remote-mode instrument into local mode. The GTL command also restores front panel key operation.

### Program fragment

```
PRINT #1, "remote 16"           'Place 2015 in remote
SLEEP 3                          'Wait 3 seconds
PRINT #1, "local 16"           'Place 2015 in local mode
```

## DCL (device clear)

Use the DCL command to clear the GPIB interface and return it to a known state. Note that the DCL command is not an addressed command, so all instruments equipped to implement DCL will do so simultaneously.



When the Model 2015 THD Multimeter receives a DCL command, it clears the Input Buffer and Output Queue, cancels deferred commands, and clears any command that prevents the processing of any other device command. A DCL does not affect instrument settings and stored data.

#### Program fragment

```
PRINT #1, "clear"                'Clear all devices
```

### SDC (selective device clear)

The SDC command is an addressed command that performs essentially the same function as the DCL command. However, since each device must be individually addressed, the SDC command provides a method to clear only selected instruments instead of clearing all instruments simultaneously, as is the case with DCL.

#### Program fragment

```
PRINT #1, "clear 16"            'Clear 2015
```

### GET (group execute trigger)

GET is a GPIB trigger that is used as an arm, scan and/or measure event to control operation. The Model 2015 THD Multimeter reacts to this trigger if it is the programmed control source. The control source is programmed from the SCPI: TRIGger subsystem.

With the instrument programmed and waiting for a GPIB trigger, the following program fragment will provide the GET:

#### Program fragment

```
PRINT #1, "trigger 16"          'Trigger 2015 from over the bus
```

This sends IEEE-488 commands UNT UNL LISTEN 16 GET. When the command is executed, the trigger event occurs. (The command TRIGGER just sends GET. Any other listeners are triggered when the command is executed.)

### SPE, SPD (serial polling)

Use the serial polling sequence to obtain the Model 2015 serial poll byte. The serial poll byte contains important information about internal functions, (see “status structure”). Generally, the serial polling sequence is used by the controller to determine which of several instruments has requested service with the SRQ line. However, the serial polling sequence may be performed at any time to obtain the status byte from the Model 2015 THD Multimeter.

#### Program fragment

```
PRINT #1, "spoll 16"           'Serial poll the 2015
INPUT #2, S                     'Read serial poll byte
PRINT S                         'Display the decimal value of the
                                serial poll byte
```

## Front panel GPIB operation

This section describes aspects of the front panel that are part of GPIB operation, including messages, status indicators, and the LOCAL key.

### Error and status messages

See Section 2 for a list of error and status messages associated with IEEE-488 programming. The instrument can be programmed to generate an SRQ, and command queries can be performed to check for specific error conditions.

### GPIB status indicators

The REM (remote), TALK (talk), LSTN (listen), and SRQ (service request) annunciators show the GPIB bus status. Each of these indicators is described below.

- REM — This indicator shows when the instrument is in the remote state. REM does not necessarily indicate the state of the REM line, as the instrument must be addressed to listen with REM true before the REM indicator turns on. When the instrument is in remote, all front panel keys, except for the LOCAL key, are locked out. When REM is turned off, the instrument is in the local state, and front panel operation is restored.
- TALK — This indicator is on when the instrument is in the talker active state. Place the unit in the talk state by addressing it to talk with the correct MTA (My Talk Address) command. TALK is off when the unit is in the talker idle state. Place the unit in the talker idle state by sending an UNT (Untalk) command, addressing it to listen, or sending the IFC (Interface Clear) command.
- LSTN — This indicator is on when the Model 2015 THD Multimeter is in the listener active state, which is activated by addressing the instrument to listen with the correct MLA (My Listen Address) command. LSTN is off when the unit is in the listener idle state. Place the unit in the listener idle state by sending UNL (Unlisten), addressing it to talk, or sending IFC (Interface Clear) command over the bus.
- SRQ — You can program the instrument to generate a service request (SRQ) when one or more errors or conditions occur. When this indicator is on, a service request has been generated. This indicator stays on until the serial poll byte is read or all the conditions that caused SRQ have ceased to exist. See “status structure” for more information.

### LOCAL key

The LOCAL key cancels the remote state and restores local operation of the instrument.

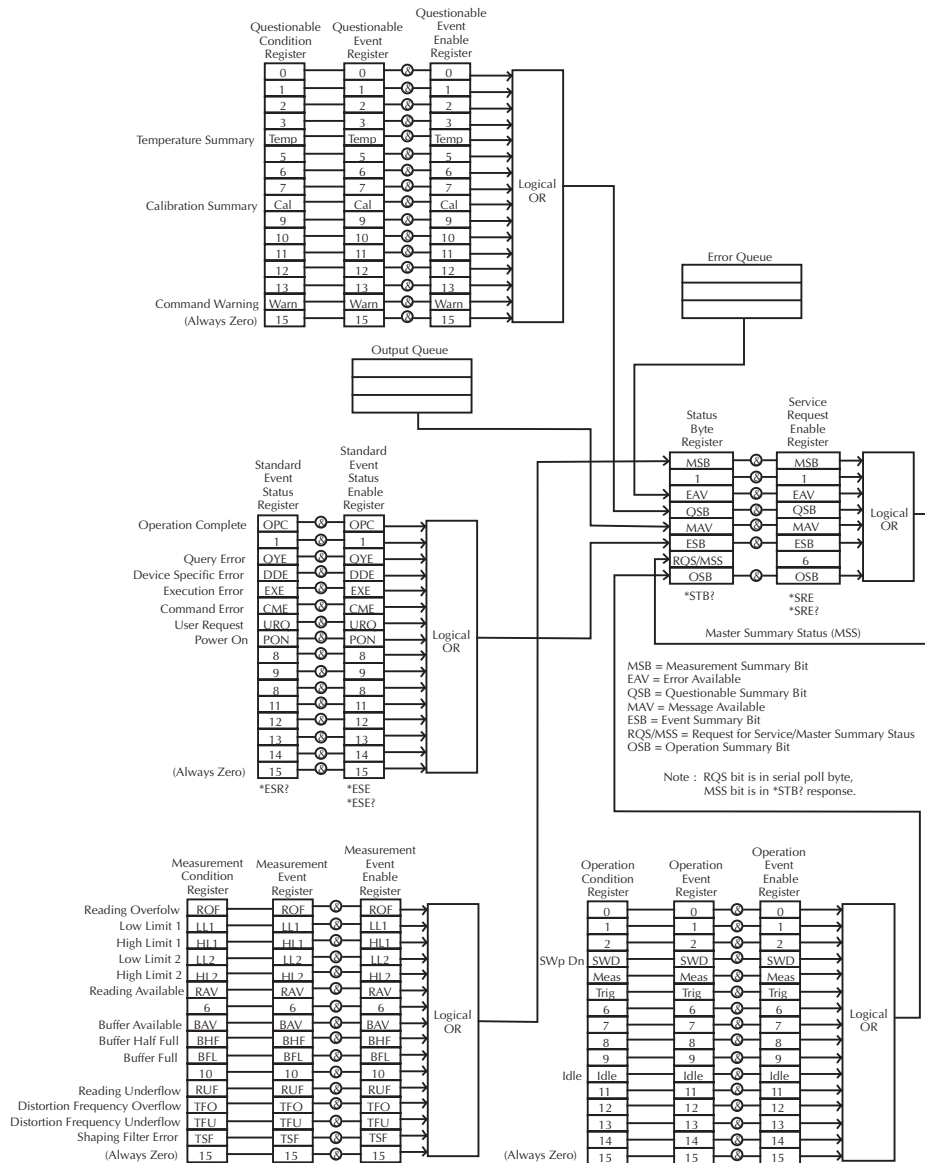
Pressing the LOCAL key also turns off the REM indicator and returns the display to normal if a user-defined message was displayed.

If the LLO (Local Lockout) command is in effect, the LOCAL key is also inoperative.

# Status structure

See Figure 4-5 for the Model 2015 THD Multimeters status structure. Instrument events, such as errors, are monitored and manipulated by four status register sets. Notice that these status register sets feed directly into the Status Byte Register. More detailed illustrations of these register sets are provided by Figure 4-5 through Figure 4-9.

**Figure 4-5**  
Model 2015 status register structure



## Condition registers

As [Figure 4-5](#) shows, all status register sets have a condition register. A condition register is a real-time, read-only register that constantly updates to reflect the current operating conditions of the instrument. For example, while a measurement is being performed, bit B4 (Meas) of the Operation Condition Register is set. When the measurement is completed, bit B4 clears.

Use the :CONDition? query commands in the STATus Subsystem to read the condition registers. See Section 5 for more information.

## Event registers

As [Figure 4-5](#) shows, each status register set has an event register. An event register is a latched, read-only register whose bits are set by the corresponding condition register. Once a bit in an event register is set, it remains set (latched) until the register is cleared by a specific clearing operation. The bits of an event register are logically ANDed with the bits of the corresponding enable register and applied to an OR gate. The output of the OR gate is applied to the Status Byte Register.

Use the \*ESR? Common Command to read the Standard Event Register. All other event registers are read using the :EVENT? query commands in the STATus Subsystem. See Section 5 for more information.

An event register is cleared when it is read. The following operations clear all event registers:

- Cycling power
- Sending \*CLS

## Enable registers

As [Figure 4-5](#) shows, each status register set has an enable register. An enable register is programmed by you and serves as a mask for the corresponding event register. An event bit is masked when the corresponding bit in the enable register is cleared (0). When masked, a set bit in an event register cannot set a bit in the Status Byte Register ( $1 \text{ AND } 0 = 0$ ).

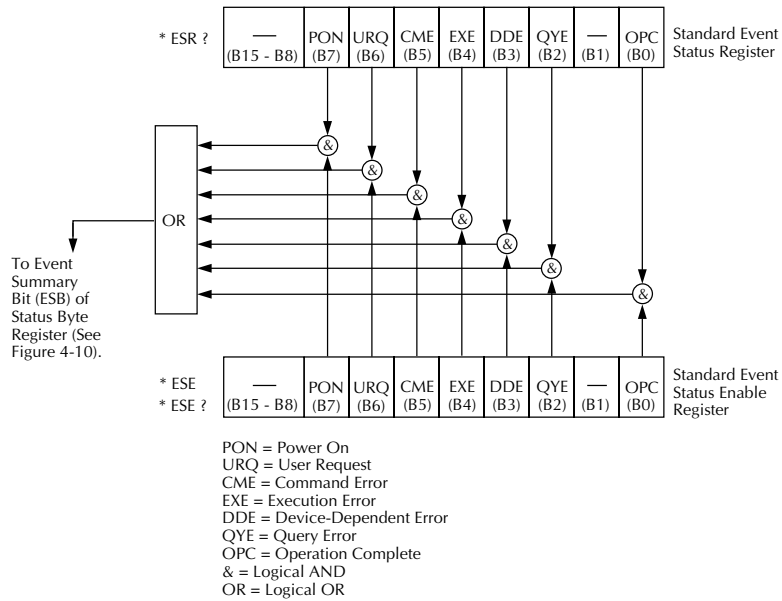
To use the Status Byte Register to detect events (i.e., serial poll), you must unmask the events by setting (1) the appropriate bits of the enable registers.

To program and query the Standard Event Status Register, use the \*ESE and \*ESE? Common Commands respectively. All other enable registers are programmed and queried using the :ENABLE and :ENABLE? commands in the STATus Subsystem. See Section 5 for more information.

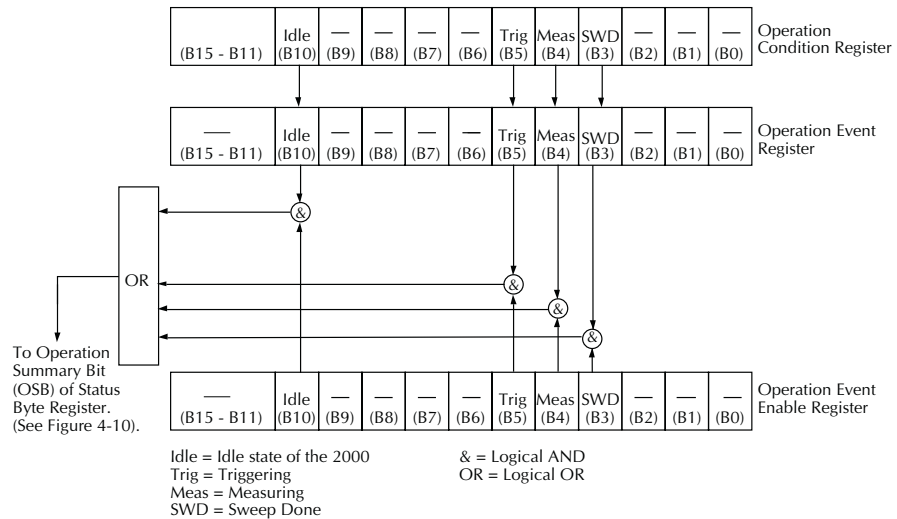
An enable register is not cleared when it is read. The following operations affect the enable registers:

- Cycling power - Clears all enable registers
- :STATus:PREset clears the following enable registers:
  - Operation Event Enable Register
  - Questionable Event Enable Register
  - Measurement Event Enable Register
- \*ESE 0 - Clears the Standard Event Status Enable Register.

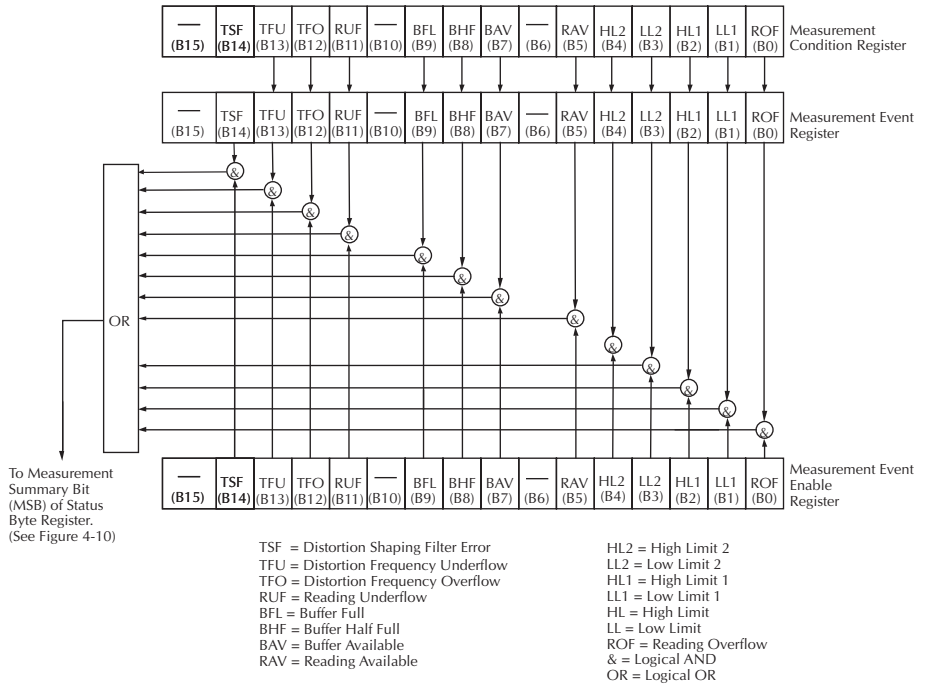
**Figure 4-6**  
Standard event status



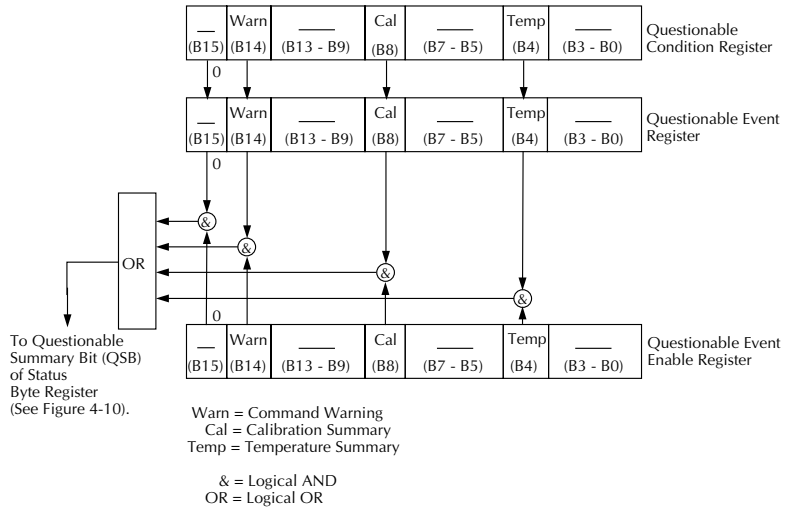
**Figure 4-7**  
Operation event status



**Figure 4-8**  
Measurement event status



**Figure 4-9**  
Questionable event status



## Queues

The Model 2015 uses two queues, which are first-in, first-out (FIFO) registers:

- Output Queue - used to hold reading and response messages
- Error Queue - used to hold error and status messages

The Model 2015 THD Multimeter status model (Figure 4-5) shows how the two queues are structured with the other registers.

### Output queue

The output queue holds data that pertains to the normal operation of the instrument. For example, when a query command is sent, the response message is placed on the Output Queue.

When data is placed in the Output Queue, the Message Available (MAV) bit in the Status Byte Register sets. A data message is cleared from the Output Queue when it is read. The Output Queue is considered cleared when it is empty. An empty Output Queue clears the MAV bit in the Status Byte Register.

Read a message from the Output Queue by addressing the Model 2015 THD Multimeter to talk after the appropriate query is sent.

### Error queue

The Error Queue holds error and status messages. When an error or status event occurs, a message that defines the error/status is placed in the Error Queue. This queue will hold up to 10 messages.

When a message is placed in the Error Queue, the Error Available (EAV) bit in the Status Byte Register is set. An error message is cleared from the Error/Status Queue when it is read. The Error Queue is considered cleared when it is empty. An empty Error Queue clears the EAV bit in the Status Byte Register. Read an error message from the Error Queue by sending either of the following SCPI query commands and then addressing the Model 2015 to talk:

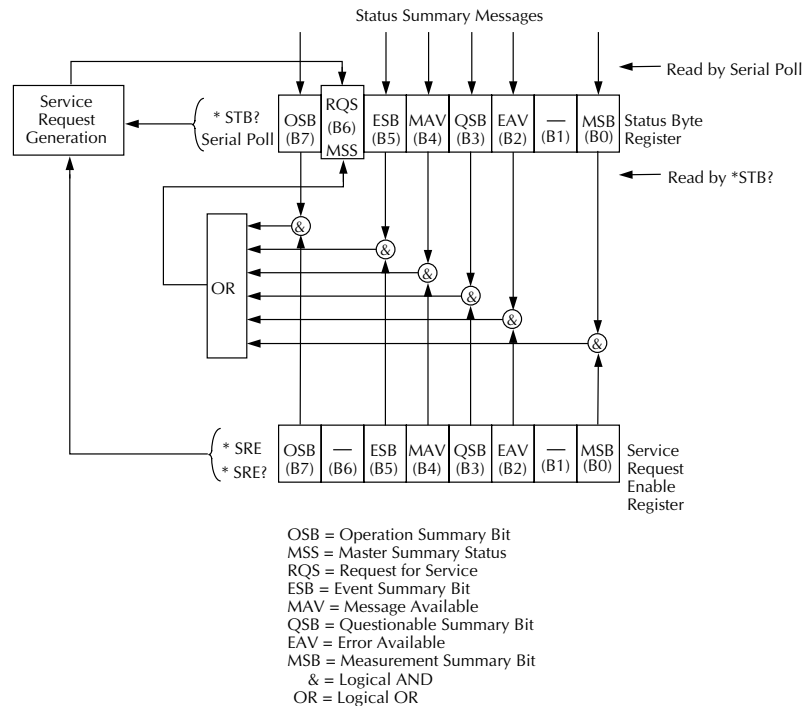
- :SYSTem:ERRor?
- :STATus:QUEue

See Section 5 for complete information about reading error messages.

## Status Byte and Service Request (SRQ)

Service request is controlled by two 8-bit registers: the Status Byte Register and the Service Request Enable Register. Figure 4-10 shows the structure of these registers.

**Figure 4-10**  
Status byte and  
service request  
(SRQ)



### Status Byte Register

The summary messages from the status registers and queues are used to set or clear the appropriate bits (B0, B2, B3, B4, B5, and B7) of the Status Byte Register. These bits do not latch, and their states (0 or 1) are solely dependent on the summary messages (0 or 1). For example, if the Standard Event Status Register is read, its register will clear. As a result, its summary message will reset to 0, which in turn will clear the ESB bit in the Status Byte Register.

Bit B6 in the Status Byte Register is either:

- The Master Summary Status (MSS) bit, sent in response to the \*STB? command, indicates the status of any set bits with corresponding enable bits set.
- The Request for Service (RQS) bit, sent in response to a serial poll, indicates which device was requesting service by pulling on the SRQ line.

For a description of the other bits in the Status Byte Register, see “Common commands, \*STB?”



The IEEE-488.2 standard uses the following common query command to read the Status Byte Register: \*STB?.

When reading the Status Byte Register using the \*STB? command, bit B6 is called the MSS bit. None of the bits in the Status Byte Register are cleared when using the \*STB? command to read it.

The IEEE-488.1 standard has a serial poll sequence that also reads the Status Byte Register and is better suited to detect a service request (SRQ). When using the serial poll, bit B6 is called the RQS bit. Serial polling causes bit B6 (RQS) to reset. Serial polling is discussed in more detail later in this section entitled “Serial Poll and SRQ.”

Any of the following operations clear all bits of the Status Byte Register:

- Cycling power.
- Sending the \*CLS common command

Note: The MAV bit may or may not be cleared.

### **Service request enable register**

This register is programmed by you and serves as a mask for the Status Summary Message bits (B0, B2, B3, B4, B5, and B7) of the Status Byte Register. When masked, a set summary bit in the Status Byte Register cannot set bit B6 (MSS/RQS) of the Status Byte Register. Conversely, when unmasked, a set summary bit in the Status Byte Register sets bit B6.

A Status Summary Message bit in the Status Byte Register is masked when the corresponding bit in the Service Request Enable Register is cleared (0). When the masked summary bit in the Status Byte Register sets, it is ANDed with the corresponding cleared bit in the Service Request Enable Register. The logic “1” output of the AND gate is applied to the input of the OR gate and, thus, sets the MSS/RQS bit in the Status Byte Register.

The individual bits of the Service Request Enable Register can be set or cleared by using the following common command: \*SRE <NRf>

To read the Service Request Enable Register, use the \*SRE? query command. The Service Request Enable Register clears when power is cycled or a parameter (n) value of zero is sent with the \*SRE command (\*SRE 0).

## Serial poll and SRQ

Any enabled event summary bit that goes from 0 to 1 will set RQS and generate a service request (SRQ). In your test program, you can periodically read the Status Byte Register to check if a service request (SRQ) has occurred and what caused it. If an SRQ occurs, the program can, for example, branch to an appropriate subroutine that will service the request. Typically, service requests (SRQs) are managed by the serial poll sequence of the Model 2015. If an SRQ does not occur, bit B6 (RQS) of the Status Byte Register will remain cleared and the program will simply proceed normally after the serial poll is performed. If an SRQ does occur, bit B6 of the Status Byte Register will set and the program can branch to a service subroutine when the SRQ is detected by the serial poll.

The serial poll automatically resets RQS of the Status Byte Register. This allows subsequent serial polls to monitor bit B6 for an SRQ occurrence generated by other event types. After a serial poll, the same event can cause another SRQ, even if the event register that caused the first SRQ has not been cleared.

A serial poll clears RQS but does not clear MSS. The MSS bit stays set until all Status Byte event summary bits are cleared.

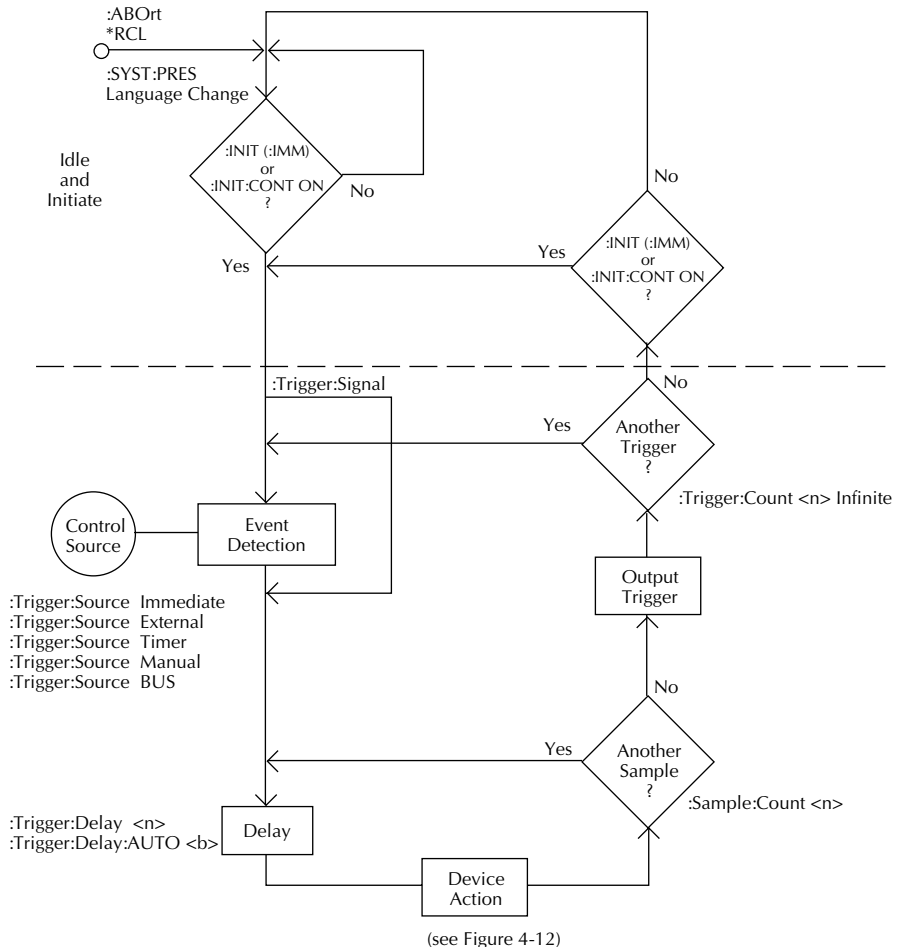
The following QuickBASIC 4.5 program (using the KPC-488.2 interface and the CECHP driver) demonstrates how serial poll can be used to detect an SRQ:

```
CLS
OPEN "ieee" FOR OUTPUT AS #1
OPEN "ieee" FOR INPUT AS #2
PRINT #1, "output 16; *cls"           'Clear Status Byte Register
PRINT #1, "output 16; *ese 32"      'Unmask command errors
PRINT #1, "output 16; *sre 32"     'Unmask event summary message
PRINT #1, "output 16; *ese"        'Error - missing parameter
SLEEP 1
PRINT #1, "SPOLL 02"               'Serial poll 2015
INPUT #2, S                         'Read Status Byte Register
S=S OR 191                          'OR register with a mask
IF S= 255 THEN
GOSUB srq                           'Go to subroutine to acknowledge
                                   SRQ
END IF
PRINT
END
srq:
PRINT "SRQ Has Occurred--RQS (bit B6) is set (1)"
RETURN
```

# Trigger model (GPIB operation)

This section describes how the Model 2015 THD Multimeter operates over the GPIB bus. The flowchart in Figure 4-11 summarizes operation over the bus and is called the trigger model. It is called the trigger model because operation is controlled by SCPI commands from the Trigger subsystem (see Section 5 for more information). Key SCPI commands are included in the trigger model.

**Figure 4-11**  
Trigger model  
(remote operation)



## Idle and initiate

The instrument is considered to be in the idle state whenever it is not operating. While in the idle state, the instrument cannot perform any measure or scan functions. You can send two commands over the bus to remove the instrument from the idle state:

- :INITiate
- :INITiate:CONTinuous ON

With continuous initiation enabled (:INITiate:CONTinuous ON), the instrument will not remain in the idle state after all programmed operations are completed. However, you can return the instrument to the idle state at any time by sending any of these commands:

- \*RST
- ABORt
- \*RCL
- SYST:PRES

## Trigger model operation

Once the instrument is taken out of idle, operation proceeds through the trigger model down to the device action. In general, the device action includes a measurement and, when scanning, closes the next channel.

**Control Source** — As shown in [Figure 4-11](#), a control source is used to hold up operation until the programmed event occurs. The control source options are explained as follows:

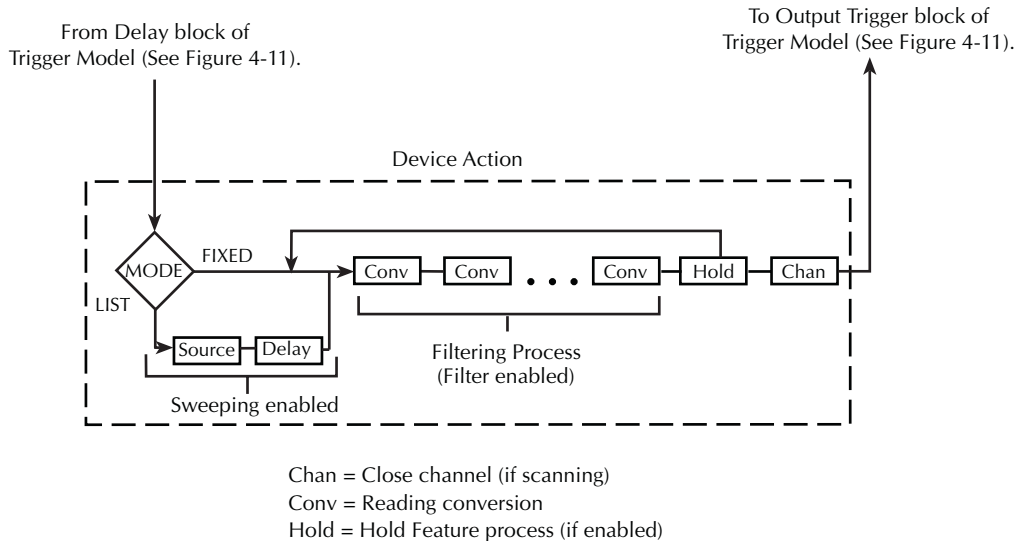
- IMMEDIATE — Event detection is immediately satisfied allowing operation to continue.
- MANUAL — Event detection is satisfied by pressing the TRIG key. The Model 2015 THD Multimeter must be in LOCAL mode for it to respond to the TRIG key. Press the LOCAL key or send LOCAL 16 over the bus to remove the instrument from the remote mode.
- TIMER — Event detection is immediately satisfied on the initial pass through the loop. Each subsequent detection is satisfied when the programmed timer interval (0 to 999999.999) seconds elapses. The timer source is only available during step/scan operation. The timer resets to its initial state when the instrument goes into the normal mode of operation or into the idle state.
- EXTERNAL — Event detection is satisfied when an input trigger via the TRIGGER LINK connector is received by the Model 2015 THD Multimeter.
- BUS — Event detection is satisfied when a bus trigger (GET or \*TRG) is received by the Model 2015 THD Multimeter.

**Delay** — A programmable delay is available after the event detection. The delay can be manually set from 0 to 999999.999 seconds, or Auto Delay can be used. With Auto Delay enabled, the instrument automatically selects a delay based on the selected function and range. See the Auto Delay table in Section 3 for delay times.

Auto Delay is typically used for scanning. The nominal delay will be just long enough to allow each relay to settle before making the measurement.

**Device Action** — Figure 4-12 provides a detailed look at the device action. If the repeat filter is enabled, then the instrument samples the specified number of reading conversions to yield a single filtered reading. If the moving filter is active, or filter is disabled, then only one reading conversion is performed.

**Figure 4-12**  
Device action (trigger model)



If the hold feature is enabled (see :HOLD commands in Section 5), then the first processed reading becomes the "seed" reading and operation loops back to the beginning of the device action. After the next reading is processed, it is compared to the programmed hold window (0.01% to 20%). If the reading is within the window, then operation again loops back to the beginning of the device action. This looping action continues until the specified number (2 to 100) of valid hold readings (readings within the window) have occurred. If one of the hold readings is not within the window, then the instrument acquires a new "seed" reading and repeats the hold process. After the hold is released, an audible beep is sounded to signal a valid measurement. The use of Hold is explained in Section 3.

If the instrument is performing a step or scan, then the next task for device action is to open the previous channel (if closed) and close the next channel.

If the filter, hold feature, and scanning are disabled, the device action would simply be a single reading conversion.

If in sweeping mode, source and delay perform the sweep function for the number of sweep points (trigger count \* sample count). If in Fixed mode, source and delay are bypassed.

# Programming syntax

The information in this section covers syntax for both common commands and SCPI commands. For information not covered here, see the IEEE- 488.2 and SCPI standards.

## Command words

Program messages are made up of one or more command words.

### Commands and command parameters

Common commands and SCPI commands may or may not use a parameter. The following are some examples:

*SAV <NRf>	Parameter (NRf) required
*RST	No parameter used
:INITiate:CONTinuous <b>	Parameter <b> required
:SYSTem:PRESet	No parameter used.

Put at least one space between the command word and the parameter.

- Brackets [ ]: Some command words are enclosed in brackets ([ ]). These brackets are used to denote an optional command word that does not need to be included in the program message. For example:

```
:INITiate[:IMMediate]
```

These brackets indicate that :IMMediate is implied (optional) and does not have to be used. Thus, the above command can be sent in one of two ways:

```
:INTiate or :INTiate:IMMediate
```

Notice that the optional command is used without the brackets. When using optional command words in your program, do not include the brackets.

- Parameter types: The following are some of the more common parameter types:
  - <b>** Boolean: Used to enable or disable an instrument operation. 0 or OFF disables the operation, and 1 or ON enables the operation. Example:  
:CURRent:AC:RANGe:AUTO ON      Enable auto ranging
  - <name>** Name parameter: Select a parameter name from a listed group. Example:  
<name> = NEVer  
          = NEXt  
:TRACe:FEED:CONTRol NEXt
  - <NRf>** Numeric representation format: This parameter is a number that can be expressed as an integer (e.g., 8) a real number (e.g., 23.6) or an exponent (2.3E6). Example:  
:SYSTem:KEY 16              Press TEMP key from over the bus
  - <n>** Numeric value: A numeric value parameter can consist of an NRf number or one of the following name parameters: DEFault, MINimum, MAXimum. When the DEFault parameter is used, the instrument is programmed to the \*RST default value. When the MINimum parameter is used, the instrument is programmed to the lowest allowable value. When the MAXimum parameter is used, the instrument is programmed to the largest allowable value. Examples:  
:TRIGger:TIMer      0.1              Sets timer to 100 msec.  
:TRIGger:TIMer      DEFault              Sets timer to 0.1 sec.  
:TRIGger:TIMer      MINimum              Sets timer to 1 msec.  
:TRIGger:TIMer      MAXimum              Sets timer to 999999.999 sec.
  - <list>** List: Specify one or more switching channels. Examples:  
:ROUte:SCAN (@1:10)      Specify scan list (1-10).  
:ROUte:SCAN (@2,4,6)      Specify scan list (2, 4, and 6).
- Angle Brackets <>: Angle brackets (<>) are used to denote a parameter type. Do not include the brackets in the program message. For example:  
:HOLD:STATe      <b>  
The <b> indicates that a Boolean-type parameter is required. Thus, to enable the Hold feature, you must send the command with the ON or 1 parameter as follows.  
:HOLD:STATe      ON or 1

## Query commands

This type of command requests (queries) the currently programmed status. It is identified by the question mark (?) at the end of the fundamental form of the command. Most commands have a query form, Example:

:TRIGger:TIMer?                      Queries the timer interval.

Most command that require a numeric parameter(<n>) can also use the DEFault, MINimum, and MAXimum parameters for the query form. These query forms are used to determine the \*RST default value and the upper and lower limits for the fundamental command. Examples:

:TRIGger:TIMer?	DEFault	Queries the *RST default value.
:TRIGger:TIMer?	MINimum	Queries the lowest allowable value.
:TRIGger:TIMer?	MAXimum	Queries the largest allowable value.

## Case sensitivity

Common commands and SCPI commands are not case sensitive. You can use upper or lower case and any case combination. Examples:

*RST	=	*rst
:DATA?	=	:data?
:SYSTem:PRESet	=	:system:preset

## Long-form and short-form versions

A SCPI command word can be sent in its long-form or short-form version. The command subsystem tables in Section 5 provide the in the long-form version. However, the short-form version is indicated by upper case characters. Examples:

:SYSTem:PRESet	long-form
:SYST:PRES	short form
:SYSTem:PRES	long-form and short-form combination

Note that each command word must be in long-form or short-form, and not something in between. For example, :SYSTe:PRESe is illegal and will generate an error. The command will not be executed.



## Short-form rules

Use the following rules to determine the short-form version of any SCPI command:

- If the length of the command word is four letters or less, no short form version exists.  
Example:  
:auto = :auto
- These rules apply to command words that exceed four letters:
- If the fourth letter of the command word is a vowel, delete it and all the letters after it.  
Example  
:immediate = :imm
- Rule exception-The short form version of the following command uses only the first two letters of the word:  
:TCouple = :tc
- If the fourth letter of the command word is a consonant, retain it but drop all the letters after it. Example:  
:format = :form
- If the command contains a question mark (; query) or a non- optional number included in the command word, you must include it in the short-form version. Example:  
:delay? = :del?
- Command words or characters that are enclosed in brackets ([ ]) are optional and need not be included in the program message.

## Program messages

A program message is made up of one or more command words sent by the computer to the instrument. Each common command is simply a three letter acronym preceded by an asterisk (\*). SCPI commands are categorized in the :STATus subsystem and are used to help explain how command words are structured to formulate program messages.

:STATus	Path (Root)
:OPERation	Path
:ENABle <NRf>	Command and parameter
:ENABle?	Query command
:PRESet	Command

### Single command messages

The above command structure has three levels. The first level is made up of the root command (:STATus) and serves as a path. The second level is made up of another path (:OPERation) and a command (:PRESet). The third path is made up of one command for the :OPERation path. The three commands in this structure can be executed by sending three separate program messages as follows:

```
:stat:oper:enab <NRf>
:stat:oper:enab?
:stat:pres
```

In each of the above program messages, the path pointer starts at the root command (:stat) and moves down the command levels until the command is executed.

### Multiple command messages

You can send multiple command messages in the same program message as long as they are separated by semicolons (;). Here is an example showing two commands in one program message:

```
:stat:oper; :stat:oper:enab <NRf>
```

When the above is sent, the first command word is recognized as the root command (:stat). When the next colon is detected, the path pointer moves down to the next command level and executes the command. When the path pointer sees the colon after the semicolon (;), it resets back to the root level and starts over.

Commands that are on the same command level can be executed without having to retype the entire command path. Example:

```
:stat:oper:enab <NRf>; enab?
```

After the first command (:enab) is executed, the path pointer is at the third command level in the structure. Since :enab? is also on the third level, it can be typed in without repeating the entire path name. Notice that the leading colon for :enab? is not included in the program message. If a colon were included, the path pointer would reset to the root level and expect a root command. Since :enab? is not a root command, an error would occur.

## Command path rules

- Each new program message must begin with the root command, unless it is optional (e.g., [:SENSe]). If the root is optional, simply treat a command word on the next level as the root.
- The colon (:) at the beginning of a program message is optional and need not be used. Example:  

```
:stat:pres = stat:pres
```
- When the path pointer detects a colon (:) it moves down to the next command level. An exception is when the path pointer detects a semicolon (;), which is used to separate commands within the program message (see next rule).
- When the path pointer detects a colon (:) that immediately follows a semicolon (;), it resets back to the root level.
- The path pointer can only move down. It cannot be moved up a level. Executing a command at a higher level requires that you start over at the root command.

## Using common commands and SCPI commands in the same message

Both common commands and SCPI commands can be used in the same message as long as they are separated by semicolons (;). A common command can be executed at any command level and will not affect the path pointer. Example:

```
:stat:oper:enab <NRf>; *ESE <NRf>
```

## Program message terminator (PMT)

Each program message must be terminated with an LF (line feed), EOI (end or identify), or an LF+EOI. The bus will hang if your computer does not provide this termination. The following example shows how a multiple command program message must be terminated:

```
:rout:open:all; scan (@1:5) <PMT>
```

## Command execution rules

- Commands execute in the order that they are presented in the program message.
- An invalid command generates an error and, of course, is not executed.
- Valid commands that precede an invalid command in a multiple command program message are executed.
- Valid commands that follow an invalid command in a multiple command program message are ignored.

## Response messages

A response message is the message sent by the instrument to the computer in response to a query command program message.

### Sending a response message

After sending a query command, the response message is placed in the Output Queue. When the Model 2015 THD Multimeter is then addressed to talk, the response message is sent from the Output Queue to the computer.

Values for frequency and magnitude are returned in scientific notation using eight places after the decimal point and 2-digit exponents. For example, the value -24 will be returned as -2.4000000E+01. However, to keep things simple and clear, examples in this manual will (when possible) use a shorter format to indicate the returned value (-24 instead of -2.4000000E+01).

### Multiple response messages

If you send more than one query command in the same program message (see the paragraph entitled, “Multiple Command Messages”), the multiple response messages for all the queries is sent to the computer when the Model 2015 is addressed to talk. The responses are sent in the order that the query commands were sent and are separated by semicolons (;). Items within the same query are separated by commas (,). The following example shows the response message for a program message that contains four single item query commands:

```
0; 1; 1; 0
```

### Response message terminator (RMT)

Each response is terminated with an LF (line feed) and EOI (end or identify). The following example shows how a multiple response message is terminated:

```
0; 1; 1; 0; <RMT>
```

## Message exchange protocol

Two rules summarize the message exchange protocol:

**Rule 1.** You must always tell the Model 2015 what to send to the computer.

The following two steps must always be performed to send information from the instrument other computer:

1. Send the appropriate query command(s) in a program message.
2. Address the Model 2015 to talk.

**Rule 2.** The complete response message must be received by the computer before another program message can be sent to the Model 2015.

## Common Commands

Common commands (summarized in [Table 4-3](#)) are device commands that are common to all devices on the bus. These commands are designated and defined by the IEEE-488.2 standard.

**Table 4-3**  
*IEEE-488.2 common commands and queries*

Mnemonic	Name	Description
*CLS	Clear status	Clears all event registers and Error Queue.
*ESE <NRf>	Event enable command	Program the Standard Event Enable Register.
*ESE?	Event enable query	Read the Standard Event Enable Register.
*ESR?	Event status register query	Read the Standard Event Enable Register and clear it.
*IDN?	Identification query	Returns the manufacturer, model number, serial number and firmware revision levels of the unit.
*OPC	Operation complete command	Set the Operation Complete bit in the Standard Event Status Register after all pending commands have been executed.
*OPC?	Operation complete query	Places an ASCII "1" into the output queue when all pending selected device operations have been completed.
*OPT?	Option identification query	Returns an ID code that indicates which option is installed. (0=no option)
*RCL <NRf>	Recall command	Returns the Model 2015 to the setup configuration stored in the specified memory location.
*RST	Reset command	Returned the Model 2015 to the *RST default conditions.
*SAV <NRf>	Save command	Saves the current setup to the specified memory location.
*SRE <NRf>	Service request enable command	Programs the Service Request Enable Register.
*SRE?	Service request enable query	Reads the Service Request Enable Register.
*STB	Read status byte query	Reads the Status Byte Register.
*TRG	Trigger command	Sends a bus trigger to the 2015.
*TST?	Self-test query	Performs a checksum test on ROM and returns the result.
*WAI	Wait-to-continue command	Wait until all previous commands are executed.

**\*CLS — Clear Status****Clear status registers and error queue****Description**

Use the \*CLS command to clear (reset to 0) the bits of the following registers in the Model 2015:

- Standard Event Register
- Operation Even Register
- Error Queue
- Measurement Event Register
- Questionable Event Register

This command also forces the instrument into the operation complete command idle state and operation complete query idle state.

**\*ESE <NRf> — Event Enable****Program the standard event enable register****\*ESE? — Event Enable Query****Read the standard event register****Parameters**

<NRf> = 0	Clear register
1	Set OPC (B0)
4	Set QYE (B2)
8	Set DDE (B3)
16	Set EXE (B4)
32	Set CME (B5)
64	Set URQ (B6)
128	Set PON (B7)
255	Set all bits

**Description**

Use the \*ESE command to program the Standard Event Enable Register. This command is sent with the decimal equivalent of the binary value that determines the desired state (0 or 1) of the bits in the register. This register is cleared on power-up.

This register is used as a mask for the Standard Event Register. When a standard event is masked, the occurrence of that event will not set the Event Summary Bit (ESB) in the Status Byte Register. Conversely, when a standard event is unmasked (enabled), the occurrence of that event sets the ESB bit. For information on the Standard Event Register and descriptions of the standard event bits see the next section.

A cleared bit (0) in the enabled register prevents (masks) the ESB bit in the Status Byte Register from setting when the corresponding standard event occurs. A set bit (1) in the enable register allows (enables) the ESB bit to set when the corresponding standard event occurs.

The Standard Event Enable Register is shown in [Figure 4-13](#) and includes the decimal weight of each bit. The sum of the decimal weights of the bits that you wish to be set is the parameter value that is sent with the \*ESE command. For example, to set the CME and QYE bits of the Standard Event Enable Register, send the following command:

\*ESE 36

Where: CME (bit B5) = Decimal	32	
QYE (bit B2) = Decimal	4	
<b>&lt;NRf&gt; =</b>	<b>36</b>	

If a command error (CME) occurs, bit B5 of the Standard Event Status Register sets. If a query error (QYE) occurs, bit B2 of the Standard Event Status Register sets. Since both of these events are unmasked (enabled) the occurrence of any one of them causes the ESB bit in the Status Byte Register to set.

Read the Standard Event Status Register using the \*ESE? query command.

**Figure 4-13**  
Standard event  
enable register

Bit Position	B7	B6	B5	B4	B3	B2	B1	B0
Event	PON	URQ	CME	EXE	DDE	QYE	—	OPC
Decimal Weighting	128 (2 <sup>7</sup> )	64 (2 <sup>6</sup> )	32 (2 <sup>5</sup> )	16 (2 <sup>4</sup> )	8 (2 <sup>3</sup> )	4 (2 <sup>2</sup> )	—	1 (2 <sup>0</sup> )
Value	0/1	0/1	0/1	0/1	0/1	0/1	—	0/1

Note : Bits B8 through B15 are not shown since they are not used.

Value : 1 = Enable Standard Event  
0 = Disable (Mask) Standard Event

Events : PON = Power On  
URQ = User Request  
CME = Command Error  
EXE = Execution Error  
DDE = Device-dependent Error  
QYE = Query Error  
OPC = Operation Complete

## \*ESR? — Event Status Register Query Read the standard event status register and clear it

### Description

Use this command to acquire the value (in decimal) of the Standard Event Register (see [Figure 4-14](#)). The binary equivalent of the returned decimal value determines which bits in the register are set. The register is cleared on power-up or when \*CLS is sent.

A set bit in this register indicates that a particular event has occurred. For example, for an acquired decimal value of 48, the binary equivalent is 00110000. From this binary value, bits B4

and B5 of the Standard Event Status Register are set. These bits indicate that a device-dependent error and command error have occurred.

The bits of the Standard Event Status Register are described as follows:

- Bit B0, Operation Complete — A set bit indicates that all pending selected device operations are completed and the Model 2015 is ready to accept new commands. This bit only sets in response to the \*OPC? query command.
- Bit B1 — Not used
- Bit B2, Query Error (QYE) — A set bit indicates that you attempted to read data from an empty Output Queue.
- Bit B3, Device-dependent Error (DDE) — A set bit indicates that an instrument operation did not execute properly due to some internal condition.
- Bit B4, Execution Error (EXE) — A set bit indicates that the Model 2015 detected an error while trying to execute a command.
- Bit B5, Command Error (CME) — A set bit indicates that a command error has occurred. Command errors include:
  - IEEE-488.2 syntax error: Model 2015 received a message that does not follow the defined syntax of the IEEE-488.2 standard.
  - Semantic error: Model 2015 received a command that was misspelled, or received an optional IEEE-488.2 command that is not implemented.
  - The instrument received a Group Execute Trigger (GET) inside a program message.
- Bit B6, User Request (URQ) — A set bit indicates that the LOCAL key on the Model 2015 front panel was pressed.
- Bit B7, Power ON (PON) — A set bit indicates that the Model 2015 has been turned off and turned back on since the last time this register has been read.

**Figure 4-14**  
Standard event  
status register

Bit Position	B7	B6	B5	B4	B3	B2	B1	B0
Event	PON	URQ	CME	EXE	DDE	QYE	—	OPC
Decimal Weighting	128 (2 <sup>7</sup> )	64 (2 <sup>6</sup> )	32 (2 <sup>5</sup> )	16 (2 <sup>4</sup> )	8 (2 <sup>3</sup> )	4 (2 <sup>2</sup> )	—	1 (2 <sup>0</sup> )
Value	0/1	0/1	0/1	0/1	0/1	0/1	—	0/1

Note : Bits B8 through B15 are not shown since they are not used.

Value : 1 = Event Bit Set  
0 = Event Bit Cleared

Events : PON = Power On  
URQ = User Request  
CME = Command Error  
EXE = Execution Error  
DDE = Device-dependent Error  
QYE = Query Error  
OPC = Operation Complete



**\*IDN? — Identification Query**    Read the identification code**Description**

The identification code includes the manufacturer, model number, serial number, and firmware revision levels, and is sent in the following format:

KEITHLEY INSTRUMENTS INC., MODEL 2015, xxxxxxxx, yyyy/zzzz

Or

KEITHLEY INSTRUMENTS INC., MODEL 2015P, xxxxxxxx, yyyy/zzzz

Where:    xxxxxxxx is the serial number  
          yyyy/zzzz is the firmware revision levels of the digital board ROM and display board ROM.

**\*OPC — Operation Complete**    Set the OPC bit in the standard event status register after all pending commands are complete**Description**

On power-up or when the \*CLS or \*RST is executed, the Model 2015 goes into the Operation Complete Command Idle State (OCIS). In this state, no pending overlapped commands exist. The Model 2015 has three overlapped commands:

- :INITiate
- :INITiate:CONTinuous ON
- \*TRG

When you send the \*OPC command, the Model 2015 exits from OCIS and enters the Operation Complete Command Active State (OCAS). In OCAS, the instrument continuously monitors the No-Operation-Pending flag. After the last pending overlapped command is completed (No-Operation- Pending flag set to true), the Operation Complete (OPC) bit in the Standard Event Status Register sets, and the instrument goes back into OCIS.

Note that the instrument always goes into OCAS when \*OPC is executed. If no pending command operations are present (e.g. trigger model in idle state), the Model 2015 immediately sets the OPC bit and returns to OCIS.

When used with the :INITiate or :INITiate:CONTinuous ON command, the OPC bit of the Standard Event Status Register will not set until the Model 2015 goes back into the idle state. The initiate operations are not considered finished until the instrument goes into idle.

When used with the \*TRG command, the OPC bit will not set until the operations associated with the \*TRG command (and the initiate command) are finished. The \*TRG command is considered to be finished when the Device Action completes or when operation stops a control source to wait for an event (see Trigger Model in this section).

To use the \*OPC exclusively with the \*TRG command, first force the completion of the initiate command so that only the \*TRG command is pending. Do this by sending the :ABORT command to place the instrument in idle, which (by definition) completes the initiate command. Since continuous initiation is on, operation continues on into the Trigger Model. After sending the \*TRG command, the OPC bit sets when the \*TRG command is finished.

## Program Fragment

```

GOSUB Read Register           'Clear register by reading it
PRINT #1, "output 16; :init   'Place 2015 in idle
:cont off; :abort"
PRINT #1, "output 16; :init;*opc" 'Start measurements and send *OPC
SLEEP 2                       'Wait two seconds
GOSUB ReadRegister           'Read register to show that OPC is
                             not set
PRINT #1, "output 16; :abort" 'Place 2015 back in idle
GOSUB ReadRegister           'Read register to show that OPC is
                             now set

END
ReadRegister:
PRINT #1, "output 16; *esr?" 'Query Standard Event Status
                             Register
PRINT #1, "enter 16"         'Get response message from 2015
LINE INPUT #2, a$           'Read decimal value of register
PRINT a$
RETURN

```

## \*OPC? — Operation Complete Query

Place a "1" in the output queue after all pending operations are completed

### Description

On power-up or when the \*CLS or \*RST is executed, the Model 2015 goes into the Operation Complete Command Query Idle State (OQIS). In this state, no pending overlapped commands exist. The Model 2015 has three overlapped commands:

- :INITiate
- :INITiate:CONTinuous ON
- \*TRG

When you send the \*OPC? command, the Model 2015 exits from OQIS and enters the Operation Complete Command Query Active State (OQAS). In OQAS, the instrument continuously monitors the No-Operation-Pending flag. After the last pending overlapped command is completed (No-Operation-Pending flag set to true), an ASCII character "1" is placed into the Output Queue, the Message Available (MAV) bit in the Status Byte sets, and the instrument goes back into OQIS. Addressing the Model 2015 to talk sends the ASCII "1" to the computer.

Note that the instrument always goes into OQAS when \*OPC? is executed. If no pending command operations are present (e.g. trigger model in idle state), the Model 2015 immediately places an ASCII "1" in the Output Queue, sets the MAV bit and returns to OQIS.

When used with the :INITiate or :INITiate:CONTinuous ON command, an ASCII "1" will not be sent to the Output Queue and the MAV bit will not set until the Model 2015 goes back into the idle state. The initiate operations are not considered finished until the instrument goes into the idle state.

When used with the \*TRG command, an ASCII "1" will not be placed into the Output Queue and the MAV bit will not set until the operations associated with the \*TRG command (and the initiate command) are finished. The \*TRG command is considered to be finished when the Device Action completes or when operation stops at a control source to wait for an event (see the Trigger Model in this section).

To use \*OPC? exclusively with the \*TRG command, first force the completion of the initiate command so that only the \*TRG command is pending. To do this, send the :ABORt command to place the instrument in idle, which (by definition) completes the initiate command. Since continuous initiation is on, operation continues on into the Trigger Model. After sending the \*TRG command, an ASCII "1" is placed in the Output Queue and the MAV bit sets when the \*TRG command is finished.

After \*OPC? is executed, additional commands cannot be sent to the Model 2015 until the pending overlapped commands are finished. For example, :INITiate:CONTinuous ON followed by \*OPC? locks up the instrument and requires a device clear (DCL or SDC) before it will accept any more commands.

Note: See \*OPC, \*TRG and \*WAI for more information.

## Program Fragment

```

PRINT #1, "output 16; :syst:pres"      'Select defaults
PRINT #1, "output 16; :init:cont off;:abort"
                                     'Place 2015 in idle
PRINT #1, "output 16; :trig:coun 1; sour tim"
PRINT #1, "output 16; :samp:coun 5"    'Program for 5 measurements and
                                     stop (idle)
PRINT #1, "output 16; :init; *opc?"    'Start measurements and send
                                     *opc?
PRINT #1, "enter 16"                  'Get response when 2015 goes into
                                     idle
LINE INPUT #2, a$                      'Read contents of Output Queue
PRINT a$                               'Display the ASCII "1"

```

## \*OPT? — Option Identification Query      Determine if an option is installed

### Description

The response message indicates the presence or absence of an option. For example:

```
0                    No option installed
```

## \*RCL — Recall                              Return to setup stored in memory

### Parameters

```
<NRf>=0
```

### Description

Use this command to return the Model 2015 to the configuration stored in memory. The \*SAV command is used to store the setup configuration in memory location.

Only one setup configuration can be saved and recalled.

The Model 2015 ships from the factory with :SYSTEM:PRESet defaults loaded into the available setup memory. If a recall error occurs, the setup memory defaults to the :SYSTEM:PRESet values.

**\*RST — RESET**

Return 2015 to \*RST defaults

**Description**

When the \*RST command is sent, the Model 2015 performs the following operations:

1. Returns the Model 2015 to the \*RST default conditions (see SCPI tables).
2. Cancels all pending commands.
3. Cancels response to any previously received \*OPC and \*OPC? commands.

**\*SAV — Save**

Save present setup in memory

**Parameters**

&lt;NRf&gt;=0

**Description**

Use the \*SAVE command to save the current instrument setup configuration in memory for later recall. Any control affected by \*RST can be saved by the \*SAV command. The \*RCL command is used to restore the instrument to the saved setup configuration.

Only one setup configuration can be saved and recalled.

**\*SRE <NRf> — Service Request Enable**

Program service request enable register

**\*SRE? — Service Request Enable Query**

Read service request enable register

**Parameters**

<NRf>= 0	Clears enable register
1	Set MSB bit (Bit 0)
4	Set EAV bit (Bit 2)
8	Set QSB bit (Bit 3)
16	Set MAV bit (Bit 4)
32	Set ESB (Bit 5)
128	Set OSB (Bit 7)
255	Set all bits

**Description**

Use the \*SRE command to program the Service Request Enable Register. Send this command with the decimal equivalent of the binary value that determines the desired state (0 or 1) of each bit in the register. This register is cleared on power-up.

This enable register is used along with the Status Byte Register to generate service requests (SRQ). With a bit in the Service Request Enable Register set, an SRQ occurs when the

corresponding bit in the Status Byte Register is set by an appropriate event. For more information on register structure, see the information presented earlier in this section.

The Service Request Enable Register is shown in Figure 4-15. Notice that the decimal weight of each bit is included in the illustration. The sum of the decimal weights of the bits that you wish to set is the value that is sent with the \*SRE command. For example, to set the ESB and MAV bits of the Service Request Enable Register, send the following command:

\*SRE 48

Where: ESB (bit B5) = Decimal 32  
 MAV(bit B4) = Decimal 16  
 <Nrf> = 48

The contents of the Service Request Enable Register can be read using the \*SRE? query command.

**Figure 4-15**  
*Service request enable register*

Bit Position	B7	B6	B5	B4	B3	B2	B1	B0
Event	OSB	—	ESB	MAV	QSB	EAV	—	MSB
Decimal Weighting	128 (2 <sup>7</sup> )	—	32 (2 <sup>5</sup> )	16 (2 <sup>4</sup> )	8 (2 <sup>3</sup> )	4 (2 <sup>2</sup> )	—	1 (2 <sup>0</sup> )
Value	0/1	—	0/1	0/1	0/1	0/1	—	0/1

Value : 1 = Enable Service Request Event  
 0 = Disable (Mask) Service Request Event

Events : OSB = Operation Summary Bit  
 ESB = Event Summary Bit  
 MAV = Message Available  
 QSB = Questionable Summary Bit  
 EAV = Error Available  
 MSB = Measurement Summary Bit

## **\*STB? — Status Byte Query**      **Read status byte register**

### **Description**

Use the \*STB? query command to acquire the value (in decimal) of the Status Byte Register. The Status Byte Register is shown in [Figure 4-16](#). The binary equivalent of the decimal value determines which bits in the register are set.

All bits, except Bit B6, in this register are set by other event registers and queues. Bit 6 sets when one or more enabled conditions occur.

The \*STB? query command does not clear the status byte register. This register can only be cleared by clearing the related registers and queues. See “status structure” for details.

For example, for an acquired decimal value of 48, the binary equivalent is 00110000. This binary value indicates that bits 4 and 5 of the Status Byte Register are set.

The bits of the Status Byte Register are described as follows:

- Bit 0, Measurement Status (MSB)-A set bit indicates that a measurement event has occurred. The event can be identified by reading the Measurement Event Status Register using the :STATus:MEASurement? command (see Section 5 for details).
- Bit 1-Not used.
- Bit 2, Error Available (EAV)-A set bit indicates that an error or status message is present in the Error Queue. The message can be read using one of the following SCPI commands:

:SYSTem:ERRor?

:STATus:QUEue?

See Section 5 for more information.

- Bit 3, Questionable Summary Bit (QSB)-A set bit indicates that a calibration error has occurred.
- Bit 4, Message Available (MAV)-A set bit indicates that a message is present in the Output Queue. The message is sent to the computer when the Model 2015 is addressed to talk.
- Bit 5, Event Summary Bit (ESB)-A set bit indicates that an enabled standard event has occurred. The event can be identified by reading the Standard Event Status Register using the \*ESE? query command.
- Bit 6, Master Summary Status (MSS)/Request Service (RQS)-A set bit indicates that one or more enabled Status Byte conditions have occurred. Read the MSS bit by using the STB? query command, or perform a serial poll to detect the occurrence of a service request (RQS bit set).
- Bit 7, Operation Summary (OSB)-A set bit indicates that an enabled operation event has occurred. The event can be identified by reading the Operation Event Status Register using the :STATus:OPERation? query command (see Section 5 for details).

**Figure 4-16**  
*Status byte register*

Bit Position	B7	B6	B5	B4	B3	B2	B1	B0
Event	OSB	MSS, RQS	ESB	MAV	QSB	EAV	—	MSB
Decimal Weighting	128 (2 <sup>7</sup> )	64 (2 <sup>6</sup> )	32 (2 <sup>5</sup> )	16 (2 <sup>4</sup> )	8 (2 <sup>3</sup> )	4 (2 <sup>2</sup> )	—	1 (2 <sup>0</sup> )
Value	0/1	0/1	0/1	0/1	0/1	0/1	—	0/1

Value : 1 = Event Bit Set  
0 = Event Bit Cleared

Events : OSB = Operation Summary Bit  
MSS = Master Summary Status  
RQS = Request Service  
ESB = Event Summary Bit  
MAV = Message Available  
QSB = Questionable Summary Bit  
EAV = Error Available  
MSB = Measurement Summary Bit

## **\*TRG — Trigger**

### **Send bus trigger to 2015**

#### **Description**

Use the \*TRG command to issue a GPIB trigger to the Model 2015. It has the same effect as a group execute trigger (GET).

Use the \*TRG command as an event to control operation. The Model 2015 reacts to this trigger if BUS is the programmed control source. The control source is programmed from the TRIGger subsystem (see Section 5).

## **\*TST?-Self-Test Query**

### **Run self test and read result**

#### **Description**

Use this query command to perform a checksum test on ROM. The command places the coded result (0 or 1) in the Output Queue. When the Model 2015 is addressed to talk, the coded result is sent from the Output Queue to the computer.

A returned value of zero (0) indicates that the test passed, and a value of one (1) indicates that the test has failed.



## \*WAI — Wait-to-Continue

Prevent execution of commands until previous commands are completed

### Description

Two types of device commands exist:

- Sequential commands-A command whose operations are allowed to finish before the next command is executed.
- Overlapped commands-A command that allows the execution of subsequent commands while device operations of the Overlapped command are still in progress.

Use the \*WAI command to suspend the execution of subsequent commands until the device operations of all previous Overlapped commands are finished. The \*WAI command is not needed for Sequential commands.

The Model 2015 has three overlapped commands:

- :INITiate
- :INITiate:CONTinuous ON
- \*TRG

Note: See \*OPC, \*OPC? and \*TRG for more information.

The :INITiate commands remove the Model 2015 from the idle state. The device operations of :INITiate are not considered complete until the Model 2015 returns to idle. By sending the \*WAI command after the :INITiate command, all subsequent commands will not execute until the Model 2015 goes back into idle.

The \*TRG command issues a bus trigger that could be used to provide the arm, scan, and measure events for the Trigger Model. By sending the \*WAI command after the \*TRG command, subsequent commands will not be executed until the pointer for the Trigger Model has finished moving in response to \*TRG and has settled at its next state.

### Program Fragment

```

PRINT #1, "output 02; :syst:pres"      'Select defaults
PRINT #1, "output 02; :init:cont off;:abort"
                                         'Place 2015 in idle
PRINT #1, "output 02; :trig:coun 1;:sour tim"
                                         'Program for 30 measurements and
                                         'then stop (idle)

PRINT #1, "output 02; :samp:coun 30"
PRINT #1, "output 02; :init; *wai"     'Start measurements and send *wai
PRINT #1, "output 02; :data?"         'Query a reading
PRINT #1, "enter 02"                 'Get reading after 2015 goes into
                                         idle
LINE INPUT #2, a$                     'Read the reading
PRINT a$                              'Display the reading

```

---

**5**  
SCPI  
Command Reference

This section contains reference information on programming the Model 2015 with the SCPI commands. It is organized as follows:

**SCPI Signal Oriented Measurement Commands** — Covers the signal oriented measurement commands. These commands are used to acquire readings.

**SCPI command subsystems reference tables** — Includes a summary table for each SCPI subsystem command.

**SCPI command subsystems** — Includes additional information on each SCPI subsystem command.

## SCPI Signal oriented measurement commands

The signal oriented measurement commands are used to acquire readings. You can use these high-level instructions to control the measurement process. These commands are summarized in Table 5-1.

*Table 5-1*  
*Signal oriented measurement command summary*

Command	Description
:CONFigure:<function>	Places the Model 2015 in a “one-shot” measurement mode for the specified function.
:FETCh?	Requests the latest reading.
:READ?	Performs an :ABORt, :INITiate, and a :FETCh?.
:MEASure[:<function>]?	Performs an :ABORt, :CONFigure:<function>, and a :READ?.

### CONFigure Command

**:CONFigure:<function>**

<function> =	CURRent:AC	AC current
	CURRent[:DC]	DC current
	VOLTage:AC	AC voltage
	VOLTage[:DC]	DC voltage
	RESistance	2-wire resistance
	FRESistance	4-wire resistance
	PERiod	Period
	FREQuency	Frequency
	TEMPerature	Temperature
	DIODE	Diode testing
	CONTInuity	Continuity test
	DISTortion	Distortion

<b>Query</b>	:CONFigure? Query the selected function.
<b>Description</b>	<p>This command configures the instrument for subsequent measurements on the specified function. Basically, this command places the instrument in a “one-shot” measurement mode. You then use the :READ? command to trigger a measurement and acquire a reading (see :READ?).</p> <p>When this command is sent, the Model 2015 will be configured as follows:</p> <ul style="list-style-type: none"><li>• The function specified by this command is selected.</li><li>• All controls related to the selected function are defaulted to the *RST values.</li><li>• Continuous initiation is disabled (:INITiate:CONTinuous OFF).</li><li>• The control source of the Trigger Model is set to Immediate.</li><li>• The count values of the Trigger Model are set to one.</li><li>• The delay of the Trigger Model is set to zero.</li><li>• The Model 2015 is placed in the idle state.</li><li>• All math calculations are disabled.</li><li>• Buffer operation is disabled. A storage operation currently in process will be aborted.</li><li>• Autozero is set to the *RST default value.</li><li>• All operations associated with switching cards (scanning) are disabled.</li></ul> <p>This command is asserted when the :MEASure? command is sent.</p>
<b>Program</b>	PRINT #1, “output 16; :conf:volt:dc”      ‘Perform :CONFigure operations.

## FETCh? command

### :FETCh?

**Description** This query command requests the latest post-processed reading. After sending this command and addressing the Model 2015 to talk, the reading is sent to the computer. This command does not affect the instrument setup.

This command does not trigger a measurement. The command simply requests the last available reading. Note that this command can repeatedly return the same reading. Until there is a new reading, this command continues to return the old reading. If your application requires a “fresh” reading, use the :DATA:FRESH? command (see the SENSE Subsystem command).

This command is asserted when the :READ? or :MEASure? command is sent.

**NOTE** This command is valid while :OUTPut:MODE FIXED. Do not issue this command while in sweep mode (:OUTPut:MODE:LIST). A value of +811 (Not Permitted in LIST output mode) will be returned if this command is issued while in sweep mode. Refer to Appendix B for a complete list of status and error messages.

**NOTE** If rapid external triggers are applied, the unit may not return data when using :FETCh?.

---

## READ? command

### :READ?

**Description** Typically, this command is used with the instrument in the “one-shot” measurement mode to trigger and acquire a specified number of readings. The :SAMPle:COUNt command is used to specify the number of readings (see Trigger Subsystem). Note that the readings are stored in the buffer.

When this command is sent, the following commands execute in the order that they are presented:

:ABORt  
:INITiate  
:FETCh?

When :ABORt is executed, if continuous initiation is disabled, the instrument goes into the idle state. If continuous initiation is enabled, the operation re-starts at the beginning of the Trigger Model.

If the instrument is in the idle state, :INITiate takes the instrument out of the idle state. If continuous initiation is enabled, (:INITiate:CONTinuous ON), then the :INITiate command generates an error and ignores the command.

See the :FETCh? command for more details. Note that an “Init ignored” error will not cancel the execution of the :FETCh? command.

**NOTE** *You cannot use the :READ? command if sample count >1 (see Trigger Subsystem) and there are readings stored in the buffer (error -225, out of memory). Either set sample count to one or clear the buffer.*

*See Appendix C for an example program using the READ? command.*

**NOTE** *This command is valid while :OUTPut:MODE FIXED. Do not issue this command while in sweep mode (:OUTPut:MODE LIST). A value of +811 (Not Permitted in LIST output mode) will be returned if this command is issued while in sweep mode. Refer to Appendix B for a complete list of status and error messages.*

## MEASure command

**:MEASure[:<function>]?**

<function> =	CURRent:AC	AC current
	CURRent[:DC]	DC current
	VOLTage:AC	AC voltage
	VOLTage[:DC]	DC voltage
	RESistance	2-wire resistance
	FRESistance	4-wire resistance
	PERiod	Period
	FREQuency	Frequency
	TEMPerature	Temperature
	DIODE	Diode testing
	CONTInuity	Continuity test
	DISTortion	Distortion

**Description** This command combines all of the other signal oriented measurement commands to perform a “one-shot” measurement and acquire the reading.

When this command is sent, the following commands execute in the order that they are presented.

:ABORt:CONFIgure:<function>:READ?

When :ABORt is executed, if continuous initiation is disabled, the instrument goes into the idle state. If continuous initiation is enabled, the operation re-starts at the beginning of the Trigger Model.

When :CONFIgure is executed, the instrument goes into a “one-shot” measurement mode. See :CONFIgure for more details.

When :READ? is executed, its operations will then be performed. In general, another :ABORt is performed, then an :INITiate, and finally a FETCh? to acquire the reading. See :READ? for more details.

---

# SCPI command subsystems reference tables

Table 5-2 through Table 5-11 summarize the commands for each SCPI subsystem. The following list includes the SCPI subsystem commands and the table number where each command is summarized.

CALCulate command summary (Table 5-2)

DISPlay command summary (Table 5-3)

FORMat command summary (Table 5-4)

OUTPut command summary (Table 5-5)

ROUTe command summary (Table 5-6)

SENSE command summary (Table 5-7)

STATus command summary (Table 5-8)

SYSTem command summary (Table 5-9)

TRACe command summary (Table 5-10)

Trigger command summary (Table 5-11)

UNIT command summary (Table 5-12)

General notes:

- Brackets ( [ ] ) are used to denote optional character sets. These optional characters do not have to be included in the program message. Do not use brackets in the program message.
- Angle brackets ( < > ) are used to indicate parameter type. Do not use angle brackets in the program message.
- The Boolean parameter ( <b> ) is used to enable or disable an instrument operation. 1 or ON enables the operation and 0 or OFF disables the operation.
- Upper case characters indicate the short-form version for each command word.
- Default Parameter — Listed parameters are both the \*RST and :SYSTem:PRESet defaults, unless noted otherwise. Parameter notes are located at the end of each table.
- SCPI — A checkmark ( ✓ ) indicates that the command and its parameters are SCPI confirmed. An unmarked command indicates that it is non-SCPI. SCPI confirmed commands that use one or more non-SCPI parameters are explained by notes.



**Table 5-2**  
CALCulate command summary

Command	Description	Default parameter	SCPI
:CALCulate[1]	Subsystem to control CALC 1:		√
:FORMat <name>	Select math format (NONE, MXB, PERCent).	PERCent	√
:FORMat?	Query math format.		√
:KMATH	Path to configure math calculations:		√
:MMFactor <NRf>	Set “m” factor for mx+b (-100e6 to 100e6).	1	
:MMFactor?	Query “m” factor.		
:MBFactor <NRf>	Set “b” factor for mx+b (-100e6 to 100e6).	0	
:MBFactor?	Query “b” factor.		
:MUNits <name>	Specify units for mx+b reading (three characters ‘A’ through ‘Z’).	MXB	
:MUNits?	Query “mx+b” units.		
:PERCent <NRf>	Set target value for PERCent calculation (-100e6 to 100e6).	1	
:ACQUIRE	Use input signal as target value.		
:PERCent?	Query percent.		
:STATe <b>	Enable or disable kmath calculation.	OFF	
:STATe?	Query state of kmath function.		
:DATA?	Read result of kmath calculation.		
:CALCulate2	Subsystem to control CALC 2:		√
:FORMat <name>	Select math format: (MEAN, SDEVIation, MAXimum, MINimum, or NONE).	NONE	√
:FORMat?	Query math format.		√
:STATe <b>	Enable or disable calculation.	OFF	√
:STATe?	Query state of math function.		√
:IMMediate	Recalculate raw input data in buffer.		√
:IMMediate?	Perform calculation and read result.		√
:DATA?	Read math result of CALC 2.		√
:CALCulate3	Subsystem to control CALC 3 (limit test):		√
:LIMit[1]	Path to control LIMIT 1 test:		√
:UPPer	Path to configure upper limit:		√
[:DATA] <n>	Set upper limit (-100e6 to 100e6).	1	√
[:DATA]?	Query upper limit.		√
:LOWer	Path to configure lower limit:		√
[:DATA] <n>	Set lower limit (-100e6 to 100e6).	-1	√
[:DATA]?	Query lower limit.		√
:STATe <b>	Enable or disable limit test.	OFF	√
:STATe?	Query state of limit test.		√
:FAIL?	Query test result (0 = pass, 1 = fail).		√
:CLEAR	Path to clear failed test:		√
[:IMMediate]	Clear failed test indication.		√
:AUTO <b>	Enable or disable auto clear.	ON	√
:AUTO?	Query auto clear.		√



**Table 5-4**  
*FORMat command summary*

Command	Description	Default parameter	SCPI
:FORMat	Select data format: (ASCii, SREal or DREal).	ASCii	√
[:DATA] <type>[,<length>]	Query data format.		√
[:DATA]?	Specify data elements: (READING, CHANnel, and UNITs).	READING	
:ELEMents <item list>	Query data elements.		
:ELEMents?	Select binary byte order: (NORMal or SWAPped).	SWAPped	√
:BORDER <name>	Query byte order.		√
:BORDER?			

**Table 5-5**  
*OUTPut command summary*

Command	Description	Default parameter	SCPI
:OUTPut	Path to configure sine wave output.		√
[:STATE] <b>	Enable or disable sine wave output.	OFF	√
[:STATE]?	Query state of sine wave output.		√
:FREQUency <NRf>	Set sine wave output frequency (10 to 20000).	60	
:FREQUency?	Query sine wave output frequency.		
:IMPedance <name>	Set sine wave output impedance (OHM50, OHM600, HIZ).	OHM50	
:IMPedance?	Query sine wave output impedance.		√
:AMPLitude <NRf>	Set sine wave output amplitude (0 to 4 for HIZ, 0 to 2 for others).	0.5	
:AMPLitude?	Query sine wave output amplitude.		
:CHANnel2	Set shape of channel 2 output (ISINE or PULSE).		
[:SHAPE]	Query shape of channel 2 output.		
[:SHAPE]?	Sets the sweep list points (maximum 50, append up to 200).		
:LIST <apml#1-NRf, freq#1-NRf...>	Query the sweep list points.		
:LIST?	Appends points to end of list (50 points at a time).		
:APPend	Sets source settling time in seconds.		
:DELAy <NRf>	Query source settling time.	0s	
:DELAy?	Sets reading elements to be returned (DISTortion,AMPLitude)	DIST	
:ELEMents <name>	Query the reading elements to return by :DATA?		
:ELEMents?	Query results of sweep (returns in format set by ELEM).		
:DATA?	Query the number of points in the sweep list.		
:POINts?	Sets output mode (FIXED, LIST).		
:MODE <name>	Query output mode.	FIXED	
:MODE?			









Table 5-7 (cont.)

SENSe command summary

Command	Description	Default parameter	SCPI
:TEMPerature :NPLCycles <n> :NPLCycles? :REFerence <n> :STATe <b> :STATe? :ACQuire :REFerence? :DIGits <n> :DIGits? :AVERage :TCONtrol <name> :TCONtrol? :COUNt <n> :COUNt? :STATe <b> :STATe? :TCouple :TYPE <name> :TYPE? :RJUNction :SIMulated <n> :SIMulated?	Path to configure temperature: Set integration rate (line cycles; 0.01 to 10). Query line cycle integration rate. Specify reference; -200 to 1372 Enable or disable reference. Query state of reference. Use input signal as reference. Query reference value. Specify measurement resolution (4 to 7). Query resolution. Path to configure and control the filter. Select filter type: (MOVing or REPeat). Query filter type. Specify filter count (1 to 100). Query filter count. Enable or disable filter. Query state of digital filter. Path to configure thermocouple: Select thermocouple type (J, K, or T). Query thermocouple type. Path to configure reference junction: Specify simulated temperature in °C (0 to 50). Query simulated temperature.	1  0 OFF  6  (Note)  10  OFF  J  23°C	
:FREQuency :APERture <n> :APERture? :THReshold :VOLTage :RANGe <n> :RANGe? :REFerence <n> :STATe <b> :STATe? :ACQuire :REFerence? :DIGits <n> :DIGits?	Path to configure frequency. Sets aperture for frequency measurements (0.01 to 1.0s) Query frequency measurements aperture Path to select the threshold voltage range:  Select threshold range (0 to 1010). Query threshold range. Specify reference (0 to 1.5e7) Enable or disable reference. Query state of reference. Use input signal as reference. Query reference value. Specify measurement resolution (4 to 7). Query resolution.	1.0s   10  0 OFF  7	√ √



**Table 5-7 (cont.)**  
*SENSe command summary*

Command	Description	Default parameter	SCPI
:PERiod :APERture<n> :APERture? :THReshold :VOLTage :RANGe <n> :RANGe? :REFerence <n> :STATe <b> :STATe? :ACQuire :REFerence? :DIGits <n> :DIGits?	Path to configure period. Sets aperture for period measurements (0.01 to 1.0s) Query frequency period aperture Path to select the threshold voltage range:  Select threshold range (0 to 1010). Query threshold range. Specify reference (0 to 1). Enable or disable reference. Query state of reference. Use input signal as reference. Query reference value. Specify measurement resolution (4 to 7). Query resolution.	1.0s  10  0 OFF  7	
:DIODE :CURRent :RANGe [:UPPer] <NRf> [:UPPer]?	Paths to configure diode test:  Path to select range. Select range (0 to 1e-3) Query range.	1e-3	
:CONTInuity :THReshold <NRf> :THReshold?	Path to configure continuity test: Set threshold resistance (1 to 1000). Query threshold resistance.	10	
:DISTortion :RANGe [:UPPer] <n> [:UPPer]? :AUTO <b> :AUTO? :DIGits <n> :DIGits? :AVERage :TCONtrol <name> :TCONtrol? :COUNt <n> :COUNt? :STATe <b> :STATe? :TYPE :TYPE?	Path to configure total harmonic distortion. Path to configure measurement range. Select range (0 to 757.5). Query range. Enable or disable auto range. Query auto range. Specify measurement resolution (4 to 7). Query resolution. Path to configure and control the filter. Select filter type (MOVing or REPeat). Query filter type. Specify filter count (1 to 100). Query filter count. Enable or disable filter. Query state of digital filter. Select distortion measurement type (THD, THDN, SINAD). Query distortion measurement type.	757.5  ON  6  (Note) 10  OFF	

Table 5-7 (cont.)

SENSe command summary

Command	Description	Default parameter	SCPI
:DISTortion	Path to configure frequency used for distortion.		
:FREQuency <NRf>	Query frequency being used for distortion.		
:FREQuency?	Set the frequency (20 to 20000).	60Hz	
[:SET] <NRf>	Query the frequency.		
[:SET]?	ON = acquire frequency before reading; OFF = use last frequency acquired or output frequency.	ON	
:AUTO <b>	Query auto frequency.		
:AUTO?	Measure frequency and use it for distortion.		
:ACQuire	Set number of harmonics in distortion (2 to 64).	2	
:HARMonic [:UPPer] <NRf>	Query number of harmonics in distortion.		
:HARMonic [:UPPer]?	Query magnitude of measured harmonics.		
:MAGNitude? (start #, end #)	Select shaping filter type (NONE, C, CCITT, CCIRARM, A, CCIR).	NONE	
:SFILter <name>	Query shaping filter type.		
:SFILter?	Query THD reading calculated.		
:THD?	Query THD+n reading calculated.		
:THDN?	Query ACV RMS reading of input waveform calculated.		
:RMS?	Sets the high cutoff frequency of the Bandpass filter. (20 to 50000 and above LCO)	50kHz	
:HCO <NRf>	Queries the high cutoff frequency of the Bandpass filter.		
:HCO?	Sets HCO state on or off.		
:STATE <b>	Queries HCO state.		
:STATE?	Sets the low cutoff frequency of the Bandpass filter. (20 to 50000 and below HCO)	20Hz	
:LCO <NRf>	Query the low cutoff frequency of the Bandpass filter.		
:LCO?	Sets LCO state on or off.		
:STATE <b>	Query LCO state.		
:STATE?	Query magnitude of the FFT bins. (1 to 1023)		
:FFTtransform:	Path to control peak functions (Model 2015P only):		
:BINS? <start#,end#>	Request the maximum amplitude (in dBV), frequency pair. Updates current location position to this frequency.		
:PEAK	Request the next lower maximum amplitude (in dBV), frequency pair. Updates current location position to this frequency.		
:MAX?	Request next lower amplitude (in dBV) at a frequency lower than the present frequency. Updates current location position to this frequency.		
:NEXT?			
:LEFT?			

**Table 5-7 (cont.)**  
*SENSe command summary*

Command	Description	Default parameter	SCPI
:RIGHT?	Request next lower amplitude (in dBV) at a frequency higher than the present frequency. Updates current location position to this frequency.		
:SREF	Sets “reference marker” to the current frequency location.		
:SRF <freq>	Moves the present location marker to the bin associated with the specified frequency (20 to 50e3).		
:DELTA?	Request frequency (Hz) and amplitude (dBV) difference between the reference marker and the present location.		
:LOC?	Request frequency and amplitude (in dBV) of the present location.		
:LOWER <freq>	Set the lower bound for the frequency search (20 to 50e3).	20	
:LOWER?	Query the lower bound for the frequency search.		
:UPPER <freq>	Set the upper bound for the frequency search (20 to 50e3).	20480	
:UPPER?	Query the upper bound for the frequency search.		
:LIST <freqlist>	Specify list of frequencies (up to 50) to be analyzed.		
:LIST?	Query frequencies in the list.		
:DATA?	Request amplitudes for frequencies in the list.		

Note: REPeat is the \*RST default and MOVing is the :SYSTem:PRESet default.

**Table 5-8**  
*STATus command summary*

Command	Description	Default parameter	SCPI
:STATus		(Note 1)	√
:MEASurement	Path to control measurement event registers:		
[:EVENTi]?	Read the event register.	(Note 2)	
:ENABle <NRf>	Program the enable register.	(Note 3)	
:ENABle?	Read the enable register.		
:CONDition?	Read the condition register.		
:OPERation	Path to control operation status registers:		√
[:EVENTi]?	Read the event register.	(Note 2)	√
:ENABle <NRf>	Program the enable register.	(Note 3)	√
:ENABle?	Read the enable register.		√
:CONDition?	Read the condition register.		√
:QUESTionable	Path to control questionable status registers:		√
[:EVENTi]?	Read the event register.	(Note 2)	√
:ENABle <NRf>	Program the enable register.	(Note 3)	√
:ENABle?	Read the enable register.		√
:CONDition?	Read the condition register.		√
:PRESet	Return status registers to default states.		√
:QUEue	Path to access error queue:		√
[:NEXT]?	Read the most recent error message.	(Note 4)	√
:ENABle <list>	Specify error and status messages for queue.	(Note 5)	√
:ENABle?	Read the enabled messages.		√
:DISAble <list>	Specify messages not to be placed in queue.	(Note 5)	√
:DISAble?	Read the disabled messages.		
:CLEAr	Clears all messages from Error Queue.		

Notes:

1. Commands in this subsystem are not affected by \*RST and :SYSTEM:PRESet. The effects of cycling power, \*CLS and :STATus:PRESet are explained by the following notes.
2. Event Registers: Power-up and \*CLS – Clears all bits of the registers  
:STATus:PRESet – No effect.
3. Enable Registers: Power-up and :STATus:PRESet – Clears all bits of the registers  
\*CLS – No effect
4. Error Queue: Power-up and \*CLS – Clears the Error Queue  
:STATus:PRESet – No effect
5. Enable/Disable Error Queue Messages: Power-up – Clears list of messages  
\*CLS and :STATus:PRESet – No effect

**Table 5-9**  
**SYSTem command summary**

Command	Description	Default parameter	SCPI
:SYSTem			
:PRESet	Return to :SYST:PRESet defaults.		√
:POSetup <name>	Select power-on setup: (RST, PRESet or SAV0).		
:POSetup?	Query power-on setup.		
:FRSWitch?	Query INPUTS switch (0=rear, 1=front).		
:VERSion?	Query rev level of SCPI standard.		√
:ERRor?	Query (read) Error Queue.	(Note)	√
:AZERo	Path to set up autozero.		
:STATe <b>	Enable or disable autozero.	ON	
:STATe?	Query autozero.		
:KEY <NRf>	Simulate key-press (1 to 31; see <a href="#">Figure 5-10</a> ).		√
:KEY?	Query the last “pressed” key.		√
:CLEar	Clears messages from the Error Queue.		
:BEEPer	Path to control beeper.		
[:STATe] <b>	Enable or disable beeper.	ON	√
[:STATe?]	Query state of beeper.		√
:LOCAL	Take 2015 out of remote and restore operation of front panel controls (RS-232 only).		
:REMOte	Place 2015 in remote (RS-232 only).		
:RWLock	Lockout front panel controls (RS-232 only).		
:KCLick <b>	Turn the keyclick on/off.	ON	
:KCLick?	Query the keyclick status.		
:LFRequency?	Query power line frequency.		

Note: Clearing the Error Queue: Power-up and \*CLS – Clears the Error Queue  
 \*RST, :SYSTem:PRESet and :STATus:PRESet – No effect

**Table 5-10**  
**TRACe command summary**

Command	Description	Default parameter*	SCPI
:TRACel:DATA	Use :TRACe or :DATA as root command.		
:CLEar	Clear readings from buffer.		
:FREE?	Query bytes available and bytes in use.		√
:POINTs <NRf>	Specify size of buffer (2 to 1024).		√
:POINTs?	Query buffer size.		√
:FEED <name>	Select source of readings (SENSe[1], CALCulate[1], NONE).		√
:CONTRol <name>	Select buffer control mode (NEVer or NEXT)		√
:CONTRol?	Query buffer control mode.		√
:FEED?	Query source of readings for buffer.		√
:DATA?	Read all readings in the buffer.		√

\*:SYSTem:PRESet and \*RST have no effect on the commands in this subsystem.



**Table 5-12**  
UNIT command summary

Command	Description	Default parameter	SCPI
:UNIT			
:TEMPerature <name>	Select temperature measurement units (C, F, or K).	C	√
:TEMPerature?	Query temperature units.		√
:VOLTage	Path to configure voltage.		
:AC <name>	Select ACV measurement units (V, DB or DBM).	V	
:DB	Path to set DB reference voltage.		
:REfERENCE <n>	Specify reference in volts (1e-7 to 1000).	1	
:REfERENCE?	Query DB reference.		
:DBM	Path to set DBM reference impedance.		
:IMPedance <n>	Specify reference impedance (1 to 9999).	75	
:IMPedance?	Query DBM reference impedance.		
:AC?	Query ACV units.		
[:DC] <name>	Select DCV measurement units (V, DB, or DBM)	V	
:DB	Path to set DB reference voltage:		
:REfERENCE <n>	Specify reference in volts (1e-7 to 1000).	1	
:REfERENCE?	Query reference.		
:DBM	Path to set DBM reference impedance:		
:IMPedance <n>	Specify reference impedance (1 to 9999).	75	
:IMPedance?	Query reference impedance.		
:DC?	Query DCV units.		
:DISTortion <name>	Set distortion measurement units (PERCent or dB)	PERCent	
:DISTortion?	Query distortion measurement units.		

# Calculate subsystem

The commands in this subsystem are used to configure and control the Calculate subsystems and are summarized in [Table 5-2](#).

## :CALCulate[1]

These commands are used to configure and control the MXB (polynomial) and percent math calculations. Detailed information on math calculations is provided in [Section 2](#).

### :FORMat <name>

CALCulate[1]:FORMat <name> Specify CALC1 format

Parameters	<function> = NONE	No calculations
	MXB	Polynomial math calculation
	PERCent	Percent math calculation

Query :FORMat? Query programmed math format

**Description** This command is used to specify the format for the CALC1 math calculations. With NONE selected, no CALC1 calculation is performed. With MXB or PERCent selected and enabled (see :STATe), the result of the calculation is displayed. The calculated reading is refreshed every time the instrument takes a reading.

### :KMATH commands

#### :MMFactor <NRf>

:CALCulate [1]:KMATH:MMFactor <NRf> Specify “m” factor

Parameter <NRf> = -100e6 to 100e6

Query :MMFactor? Query “m” factor

**Description** This command is used to define the “m” factor for the mx+b calculation.

#### :MBFactor <NRf>

:CALCulate [1]:KMATH:MBFactor <NRf> Specify “b” factor

Parameter <NRf> = -100e6 to 100e6

Query :MBFactor? Query “b” factor

**Description** This command is used to define the “b” factor for the mx+b calculation.



**:MUNits****:CALCulate [1]:KMATH:MUNits <name>** Specify units for mx+b**Parameter** <name> = 3 characters using 'A' through 'Z'**Query** :MUNits? Query units for mx+b**Description** This command is used to specify the units data element for the mx+b calculation. Use any three letters from 'A' through 'Z'.**:PERCent <Nrf>****:CALCulate [1]:KMATH:PERCent <Nrf>** Specify target value for percent calculation**Parameter** <Nrf> = -1e8 to +1e8 Specify target value.**Query** :PERCENT? Query percent target value**Description** This command is used to specify the target value for the percent calculation.**:ACquire****:CALCulate [1]:KMATH:PERCent:ACquire** Use input signal as target value**Description** This action command is used to acquire the present input signal reading and use it as the target value for the Percent calculation.**:STATe <b>****:CALCulate [1]:STATe <b>** Control CALC1**Parameters** <b> =  
0 or off Disable CALC1 calculation  
1 or on Enable CALC1 calculation**Query** :STATe? Query state (on or off) of CALC1.**Description** This command is used to enable or disable the CALC1 calculation. When enabled, each instrument reading will reflect the selected calculation (see :FORMat).**:DATA?****:CALCulate [1]:KMATH:DATA?** Read CALC1 result**Description** This query command is used to read the result of the CALC1 calculation. If CALC1 is disabled or NONE is selected, the "raw" reading will be read.

## :CALCulate2

These commands are used to configure and control the CALC2 operations on readings stored in the buffer.

### :FORMat <name>

CALCulate2:FORMat <name>

Specify CALC2 format

<b>Parameters</b>	<name> =	NONE	No calculations
		MEAN	Mean value of readings in buffer
		SDEVIation	Standard deviation of readings in buffer
		MAXimum	Largest reading in buffer
		MINimum	Lowest reading in buffer

**Query** :FORMat? Query programmed math format

**Description** This command is used to specify the format for the CALC2 math calculation. The calculation operations for CALC2 use data stored in the buffer.

With NONE selected, no CALC2 calculation is performed. With any of the other formats selected and CALC2 enabled (see :STATe), the calculation is performed every time the :IMMEDIATE or :IMMEDIATE? command is executed.

### :STATe <b>

CALCulate2:STATe <b>

Control CALC2

<b>Parameters</b>	<b> =	0 or off	Disable CALC2 calculation
		1 or on	Enable CALC2 calculation

**Query** :STATe? Query state (on or off) of CALC2.

**Description** This command is used to enable or disable the CALC2 calculation. When enabled, the selected CALC2 format will be calculated when the :IMMEDIATE or :IMMEDIATE? command is executed.

**:IMMediate****:CALCulate2:IMMediate****Perform CALC2**

**Query**           :IMMediate?     Perform calculation and read result (equivalent to :CALCulate2:IMMediate; DATA?)

**Description**    The :IMMediate command is used to perform the selected CALC2 operation on the readings in the buffer (assuming CALC2 is enabled; see :STATe). After performing the calculation, the result can be read by using the :CALCulate2:DATA? query command.

Another way to perform the calculation and read the result is to use the query form of the command (:IMMediate?). When this command is sent, the calculation is performed and the result is queried.

**Program**        This example assumes that there are readings stored in the buffer and that CALC2 is enabled:

```
PRINT #1, "output 02; :calc2:form max" ' Select format
PRINT #1, "output 02; :calc2:imm?"     ' Perform math and query result
PRINT #1, "enter 02"                  ' Get response from 2015
```

**:DATA?****:CALCulate2:DATA?****Read CALC2 result**

**Description**    This query command is used to read the result of the CALC2 calculation. If CALC2 is disabled or NONE is selected, the "raw" reading will be read.

## :CALCulate3

These commands are used to configure and control the CALC3 limit test.

### [[:DATA] <n>

:CALCulate3:LIMit[1]:UPPer[:DATA] <n>	Specify upper limit1
:CALCulate3:LIMit[1]:LOWer[:DATA] <n>	Specify lower limit1
:CALCulate3:LIMit2:UPPer[:DATA] <n>	Specify upper limit2
:CALCulate3:LIMit2:LOWer[:DATA] <n>	Specify lower limit2

Parameters	<n> = -100e6 to 100e6	Specify limit value
	DEFault	Set specified upper limit1 to 1 Set specified lower limit1 to -1 Set specified upper limit2 to 2 Set specified lower limit2 to -2
	MINimum	Set specified limit to -100e6
	MAXimum	Set specified limit to +100e6

Query	:UPPer[:DATA]?	Query upper limit value
	:LOWer[:DATA]?	Query lower limit value

**Description** This command is used to specify the upper and lower limit for LIMIT1 or LIMIT2. The actual limit depends on which measurement function is presently selected. For example, a limit value of 1 is 1V for the volts functions (DCV or ACV), 1A for the current functions (DCI or ACI), 1Ω on the ohms functions (2 or 4), and 1 (C, F, or K) for the temperature function (TEMP). A limit value is not range sensitive. A limit of 1 for DCV is 1V on all measurement ranges.

### :STATE <b>

:CALCulate3:LIMit[1]:STATe <b>	Control LIMIT1 test
:CALCulate3:LIMit2:STATe <b>	Control LIMIT2 test

Parameters	<b> = 0 or off	Disable limit test
	1 or on	Enable limit test

Query	:STATe?	Query state (on or off) of limit test
-------	---------	---------------------------------------

**Description** This command is used to enable or disable the LIMIT1 or LIMIT2 test. When enabled, the test sequence for limits will be performed each time the instrument performs a measurement.

A failed indication (see :FAIL?) for LIMIT1 or LIMIT2 is cleared when the limit test is disabled.

**:FAIL?****:CALCulate3:LIMit[1]:FAIL?****Read LIMIT1 test result****:CALCulate3:LIMit2:FAIL?****Read LIMIT2 test result**

**Description** This command is used to read the results of the LIMIT1 or LIMIT2 test:

0 = Limit test passed

1 = Limit test failed

The response message (0 or 1) only tells you if a limit test has passed or failed. It does not tell you which limit (upper or lower) has failed. To determine which limit has failed, read the Measurement Event Register.

Reading the results of a limit test does not clear the fail indication of the test. A failure can be cleared by using a :CLEar command or by disabling the test (:STATe OFF).

**:CLEar commands****[:IMMediate]****:CALCulate3:LIMit[1]:CLEar[:IMMediate]****Clear LIMIT1 test failure****:CALCulate3:LIMit2:CLEar[:IMMediate]****Clear LIMIT2 test failure**

**Description** This action command is used to clear the fail indication of the LIMIT1 or LIMIT2 test. Note that a failure is also cleared when the limit test is disabled (:STATe OFF).

**:AUTO <b>****:CALCulate3:LIMit[1]:CLEar:AUTO <b>****Control auto-clear****:CALCulate3:LIMit2:CLEar:AUTO <b>****Control auto-clear**

**Parameters** <b> =      1 or ON      Enable auto-clear for limit failure  
                                  0 or OFF      Disable auto-clear for limit failure

**Query**                    :AUTO?                    Query state of auto-clear

With auto-clear enabled, the fail indication of a limit test clears when instrument operation enters the idle state. With auto-clear disabled, the fail indication will remain until it is cleared by the :CLEar[IMMediate] command.

**:IMMediate****:CALCulate3:IMMediate****Perform CALC3****Description**

When the configuration of the limit test is changed, the next reading is evaluated according to the new test configuration. If the instrument is not in a continuous measurement mode (e.g., waiting for a manual trigger), the test will not be performed until the next reading conversion occurs.

This action command lets you re-process the current input data to test new limits. For example, assume the instrument is in a non-continuous measurement mode and requires a manual trigger to cause the next reading conversion. Changing the test limits will not affect the last test result. However, sending the :IMMediate command reprocesses the data and evaluates the reading according to the new test limits. Note that sending the :IMMediate command does not initiate a reading conversion.

**Program**

```
PRINT #1, "output 16::trig:sour bus"  ' Place 2015 in one-shot mode
SLEEP 3                               ' Wait three seconds
PRINT #1, "output 16::calc3:imm"     ' Re-perform limit test
```

## DISPlay subsystem

The commands in this subsystem are used to control the display of the Model 2015 and are summarized in [Table 5-3](#).

**:ENABLE <b>****:DISPlay:ENABLE <b>****Control display circuitry****Parameters**

<b> =	0 or OFF	Disable display circuitry
	1 or ON	Enable display circuitry

**Query**

:ENABLE?      Query state of display

**Description**

This command is used to enable and disable the front panel display circuitry. When disabled, the instrument operates at a higher speed. While disabled, the display is frozen.

All front panel controls (except LOCAL) are disabled. Normal display operation can be resumed by using the :ENABLE command to enable the display or by putting the Model 2015 into local mode (press LOCAL).

## **:TEXT commands**

### **:DATA <a>**

**:DISPlay[:WINDow[1]]:TEXT:DATA <a>** **Define message for display.**

**Parameter** <a> = ASCII characters for message (maximum of 12 characters). The characters must be enclosed in either double quotes (“ ”) or single quotes ( ‘ ’).

**Query** :DATA? Query the defined text message.

**Description** These commands define the text message for display. A message can be as long as 12 characters. A space counts as a character. Excess message characters results in an error.

### **:STATe <b>**

**:DISPlay[WINDow[1]]:TEXT:STATe <b>** **Control (on/off) message**

**Parameters** <b> =        0 or OFF    Disable text message  
                  1 or ON     Enable text message

**Query** :STATe? Query state of message mode.

**Description** This command enables and disables the text message mode. When enabled, a defined message is displayed. When disabled, the message is removed from the display.

A user defined text message remains displayed only as long as the instrument is in remote. Taking the instrument out of remote (by pressing the LOCAL key or sending LOCAL 16), cancels the message and disables the text message mode.

## :FORMat subsystem

The commands in this subsystem are used to select the data format for transferring instrument readings over the bus, or measured harmonic queries. The BORDER command and DATA command only affect readings transferred from the buffer. (i.e. SENSE:DATA? or CALC:DATA? are always sent in ASCII.) The FORMat subsystem commands can also be used with OUTP:LIST:DATA?, HARM:MAGN?, and SENS:DIST:FFT:BINS? queries. These commands are summarized in [Table 5-4](#).

### :DATA command

**[[:DATA] <type>**

**:FORMat[:DATA] <type>**

**Specify data format**

<b>Parameters</b>	<type> =	ASCII	ASCII format
		SREAL	IEEE754 single precision format
		DREAL	IEEE754 double precision format

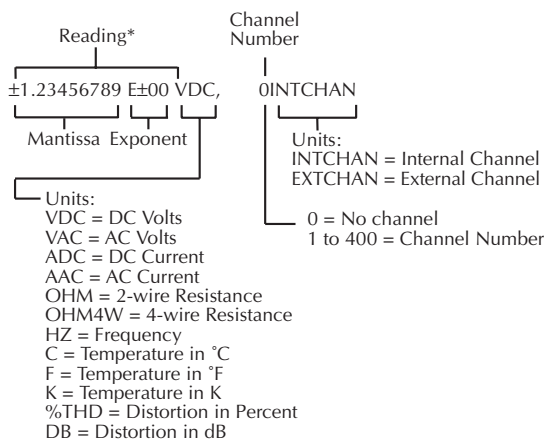
**Query** [[:DATA]? Query data format

**Description** This command is used to select the data format for transferring readings over the bus. For every reading conversion, the data string sent over the bus contains the elements specified by the :ELEMents command. The specified elements are sent in a particular order.



The ASCII data format is in a direct readable form for the operator. Most BASIC languages easily convert ASCII mantissa and exponent to other formats. However, some speed is compromised to accommodate the conversion. Figure 5-1 shows the ASCII format that includes all the data elements.

**Figure 5-1**  
ASCII data format

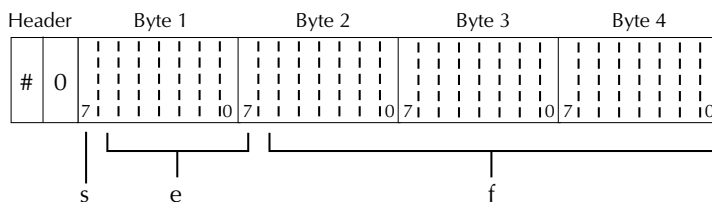


\*An overflow reading is displayed as +9.9E37 with no units.

SREAL will select the binary IEEE754 single precision data format.

Figure 5-2 shows the normal byte order format for each data element. For example, if three valid elements are specified, the data string for each reading conversion is made up of three 32-bit data blocks. Note that the entire data string is preceded by a single 2-byte header that is the binary equivalent of an ASCII # sign and 0.

**Figure 5-2**  
IEEE754 single precision data format (32 data bits)



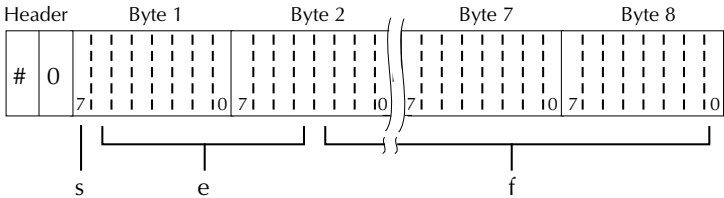
s = sign bit (0 = positive, 1 = negative)  
e = exponent bits (8)  
f = fraction bits (23)

Normal byte order shown. For swapped byte order, bytes sent in reverse order: Header, Byte 4, Byte 3, Byte 2, Byte 1.

The Header is only sent once for entire data string.

DREAL selects the binary IEEE754 double precision data format and is shown in Figure 5-3 (normal byte order shown). This format is similar to the single precision format except that it is 64 bits long.

**Figure 5-3**  
*IEEE754 double precision data format (64 data bits)*



Bytes 3, 4, 5, and 6 not shown.

- s = sign bit (0 = positive, 1 = negative)
- e = exponent bits (11)
- f = fraction bits (52)

Normal byte order shown. For swapped byte order, bytes sent in reverse order: Header, Byte 8, Byte 7 .... Byte 1.

The Header is only sent once for entire data string.

## :BORDER command

**:BORDER <name>**

**:FORMat:BORDER <name>**

**Specify binary byte order**

**Parameters**      <name> =    NORMal    Normal byte order for binary formats  
  SWAPped    Reverse byte order for binary formats

**Query**             :bORDER?            Query byte order

**Description**      This command is used to control the byte order for the IEEE754 binary formats. For normal byte order, the data format for each element is sent as follows:

Byte 1    Byte 2    Byte 3    Byte 4    (Single precision)

Byte 1    Byte 2    ...        Byte 8    (Double precision)

For reverse byte order, the data format for each element is sent as follows:

Byte 4    Byte 3    Byte 2    Byte 1    (Single precision)

Byte 8    Byte 7    ...        Byte 1    (Double precision)

The “#0” header is not affected by this command. The header is always sent at the beginning of the data string for each measurement conversion.

The ASCII data format can only be sent in the normal byte order. The SWAPped selection is simply ignored when the ASCII format is selected.

## :ELEMents command

**:ELEMents <item list>**

**:FORMat:ELEMents <item list>**

<b>Parameters</b>	<b>&lt;item list&gt;:</b>	<b>READing</b>	Includes reading in data string
		<b>CHANnel</b>	Includes channel number
		<b>UNITs</b>	Includes units

NOTE: Each item in the list must be separated by a comma (,).

**Query** :ELEMents? Query elements in data string

**Description** This command is used to specify the elements to be included in the data string for each measurement conversion. You can specify from one to all three elements. Each element in the list must be separated by a comma (,). These elements, shown in [Figure 5-1](#), are explained as follows:

**READing:** Instrument reading. The resolution of this reading tracks the display resolution of the instrument. An overflow reading reads as +9.9e37 with no units.

**CHANnel:** Corresponds the instrument reading to the channel number of a switching card. If not scanning, the channel number is 0.

**UNITs:** This element attaches the function unit to the reading, and the channel unit (internal or external) to the channel number. An internal channel refers to an internally installed switching card channel, while an external channel refers to the channel for an external switch system. This element is not available for the binary formats.

The ASCII format shown in [Figure 5-1](#) shows the byte order of the data string. Keep in mind that the byte order can only be reversed for the binary formats.

When using this command to add an element, you must include all elements that you want in the format. For example, if the reading is already specified and you want to add the channel, you must include the **READing** parameter:

```
:form:elem chan, read
```

Data elements for the item list can be listed in any order, but are always sent in the order shown in [Figure 5-1](#).



**:OUTPut:LIST <ampl#1-NRf, freq#1-NRf, ampl#2-NRf, freq#2-NRf... >**

<b>Parameter</b>	<ampl#1-NRf>	Amplitude list point (50 maximum).
	<freq#1-NRf>	Frequency list point (50 maximum).
<b>Query</b>	:LIST?	Query sweep points.
<b>Description</b>	Sets the sweep list points. This command restarts the list from point #1 when sent. If you want to sweep more than 50 points you must use the OUTP:LIST:APPend command to set points 51 and above up to a maximum of 200 total points.	

**:OUTPut:LIST:APPend <ampl#X-NRf, freq#X-NRf... >**

<b>Parameter</b>	<freq#X-NRf>	Frequency list point (50 maximum per APPend).
<b>Description</b>	Append points to the end of the sweep list (maximum of 50 points at a time) up to a maximum of 200 points total.	

**:OUTPut:LIST:DELay <NRf>**

<b>Parameter</b>	<NRf>	0 (default) to 999999.999s
<b>Query</b>	:DELay?	Query source settling time.
<b>Description</b>	Set the source settling delay in seconds.	

**:OUTPut:LIST:ELEMents <DISTortion, AMPLitude>**

<b>Parameters</b>	<DIST>	Distortion value.
	<AMPL>	Amplitude list point.
<b>Query</b>	:ELEMents?	Query the reading elements to return by OUTP:LIST:DATA?.
<b>Description</b>	Set reading elements to be returned by OUTP:LIST:DATA?. Any combination of the above can be used. This command works like FORM:ELEM.	

**:OUTPut:LIST:DATA?**

<b>Description</b>	Query the results of the sweep (in the form DIST1, DIST2, etc., or AMPL1, AMPL2, etc., or DIST1, AMPL1, DIST2, AMPL2, etc., depending on ELEMents previously set. This command will return zero's if the ELEMents have been changed since the last sweep was performed (this is to ensure that the dist readings and ampl readings are synchronized pairs).
--------------------	---

**NOTE** :OUTPut:LIST:DATA? is a non-overlapped command. Once initiated, the sweep will continue until the sweep done bit is asserted (swd). For more information on the sweep done bit, refer to the operation event status contained in Section 4.

**OUTPut:MODE <FIXED | LIST>**

<b>Parameters</b>	FIXED	One FIXED output
	LIST	LIST of sweep values
<b>Query</b>	:MODE?	Query the output mode.
<b>Description</b>	Sets the output mode to source one FIXED output or a LIST of sweep points. LIST mode turns INIT:CONT OFF. Fixed mode sets SAMP:COUN 1 and turns INIT:CONT ON. Pressing the LOCAL key sets the output mode to FIXED and turns INIT:CONT ON. Saving a USER setup also sets the mode to FIXED.	

## ROUTE subsystem

The commands in this subsystem are used to configure and control switching and are summarized in [Table 5-6](#).

**:EXternal <list>**

**:ROUTE:SCAN:EXternal <list>** **Define external scan list**

<b>Parameter</b>	<list> = (@ scanlist)	
	where scanlist is the specified list of external channels (1 to 800) to be scanned.	
<b>Query</b>	:EXternal?	Query programmed scan list
<b>Description</b>	The Model 2015 can operate with an external switch system, such as the Keithley Model 7001 or 7002. The Model 2015 can measure up to 800 channels that are switched by the external switching system. This command is used to define the external scan list.	

The scan list can contain 2 to 800 channels. The external scan is enabled by the ROUTE:SCAN:LSElect EXternal command.

**:LSElect <name>**

**:ROUTE:SCAN:LSElect <name>** **Perform specified scan operation**

<b>Parameters</b>	<name> =	EXternal	Enable scan for external scanner card
		NONE	Disable all scan operations
<b>Query</b>	:LSElect?:	Query scan operation	
<b>Description</b>	This command is used to select and perform the desired scan operation. EXternal is used to measure channels that are controlled by an external switch system. When EXternal is selected, the Model 2015 scans the external scan list (see :SCAN:EXternal). When NONE is used, the Model 2015 disables all operations associated with a scan.		

## [SENSe[1]] subsystem

The Sense 1 Subsystem is used to configure and control the measurement functions of the Model 2015. A function does not have to be selected before you program its various configurations. A function can be selected any time after it has been programmed. Whenever a programmed function is selected, it assumes the programmed states. Sense 1 Subsystem commands are summarized in [Table 5-7](#).

### :FUNCTION Command

**:FUNCTION <name>**

[SENSe[1]]:FUNCTION <name>

**Select measurement function.**

Parameters	<name> =		
	'CURRENT:AC'		Select AC Current
	'CURRENT[:DC]'		Select DC Current
	'VOLTage:AC'		Select AC Voltage
	'VOLTage[:DC]'		Select DC Voltage
	'RESistance'		Select 2-wire Resistance
	'FRESistance'		Select 4-wire Resistance
	'PERiod'		Select Period
	'FREQuency'		Select Frequency
	'TEMPerature'		Select Temperature
	'DIODE'		Select Diode Testing
	'CONTInuity'		Select Continuity Testing
	'DISTortion'		Select Distortion

**Query**           :FUNCTION?       Query currently programmed function.

**Description**    The :FUNCTION command is used to select the measurement function of the instrument. Note that parameter names are enclosed in single quotes ('). However, double quotes (") can instead be used. For example:

```
:func 'volt' = :func "volt"
```

Each measurement function “remembers” its own unique setup configuration, such as range, speed, resolution, filter and rel. This eliminates the need to re-program setup conditions every time you switch from one function to another.



## :DATA command

### :DATA?

[:SENSe[1]]:DATA?

**Return reading**

**Description** This query command is used to read the latest instrument reading. This command returns the “raw” reading or a reading that is the result of the Reference (REL from the front panel) operation. For example, if a reference value of 1.0 is established, the reading returned by this command is the “raw” reading minus 1.0. Calculated (MATH) readings cannot be read with this command (see the CALCulate subsystem for information on how to read math calculations).

The reading is returned in exponent form. For example, a 10V DC reading will be displayed on the CRT as follows: +1.000000E+01

Notice that the measurement function is not included in the response message. Thus, you may want to perform a function query (see previous command) after a reading query.

## :HOLD Command

The following commands are used to configure and control the Hold feature. For details on Hold, refer to “Trigger Model, Device Action” in this section and “Hold” in Section 3.

### :WINDow <NRf>

[:SENSe[1]]:HOLD:WINDow &lt;NRf&gt;&lt;name&gt;

**Set Hold window**

**Parameter** <NRf> = 0.01 to 20 Set window (percent)

**Query** :WINDow? Query Hold window.

**Description** This command is used to set the window for Hold. The window is expressed as a percent of the “seed” reading for the Hold process.

### :COUNT <NRf>

[:SENSe[1]]:HOLD:COUNT &lt;NRf&gt;

**Specify Hold count**

**Parameter** <NRf> = 2 to 100 Specify Hold count

**Query** :COUNT? Query Hold count.

**Description** This command is used to specify the count for Hold. Count is the number of readings that are compared to the “seed” reading during the Hold process.

**:STATe <b>**

[:SENSe[1]]:HOLD:STATe &lt;b&gt;

**Control (on/off) Hold**

<b>Parameters</b>	<b> =	0 or OFF	Disable Hold
		1 or ON	Enable Hold

<b>Query</b>	:STATe?	Query state of Hold.
--------------	---------	----------------------

**Description** This command is used to enable or disable Hold. See “Hold” in Section 3 and “Trigger Model, Device Action” in this section for details on Hold.

## Speed Commands

**:NPLCycles <n>**

[:SENSe[1]]:CURRent:AC:NPLCycles &lt;n&gt;

**Set NPLC for ACI**

[:SENSe[1]]:CURRen[:DC]:NPLCycles &lt;n&gt;

**Set NPLC for DCI**

[:SENSe[1]]:VOLTage:AC:NPLCycles &lt;n&gt;

**Set NPLC for ACV**

[:SENSe[1]]:VOLTage[:DC]:NPLCycles &lt;n&gt;

**Set NPLC for DCV**

[:SENSe[1]]:RESistance:NPLCycles &lt;n&gt;

**Set NPLC for Ω2**

[:SENSe[1]]:FREStance:NPLCycles &lt;n&gt;

**Set NPLC for Ω4**

[:SENSe[1]]:TEMPerature:NPLCycles &lt;n&gt;

**Set NPLC for TEMP**

<b>Parameters</b>	<n> =	0.01 to 10	Power line cycles per integration
		DEFault	1
		MINimum	0.01
		MAXimum	10

<b>Query</b>	:NPLCycles?	Query programmed NPLC value
	:NPLCycles? DEFault	Query *RST default value
	:NPLCycles? MINimum	Query minimum NPLC value
	:NPLCycles? MAXimum	Query maximum NPLC value

**Description** The integration period (measurement speed) for the basic measurement functions (except Frequency and Period) is set using the :NPLCycle command. NPLC (Number of Power Line Cycles) expresses the integration period by basing it on the power line frequency. For example, for a PLC of 1, the integration period in seconds would be 1/60 (for 60Hz line power) which is 16.67msec.

**NOTE** :SENS:VOLT:AC:NPLC and :SENS:CURR:AC:NPLC are valid only for a detector bandwidth of 300Hz.

**:APERture <n>**

[:SENSe[1]]:FREQuency:APERture &lt;n&gt;

Set aperture for frequency

[:SENSe[1]]:PERiod:APERture &lt;n&gt;

Set aperture for period

Parameters <n> = 0.01s to 1.0s  
 DEFault 1.0s  
 MINimum 0.01s  
 MAXimum 1.0s

Query :APERture? Query programmed APERTure value

**Description** The integration period (measurement speed) for Frequency and Period is set using the APERTure command (to set other basic measurement functions, see :NPLCycle). The unit of measurement for the APERTure command is seconds.

**:RANGe commands****[:UPPer] <n>**

[:SENSe[1]]:CURRent:AC:RANGe[:UPPer] &lt;n&gt;

Set measurement range for ACI

[:SENSe[1]]:CURRent[:DC]:RANGe[:UPPer] &lt;n&gt;

Set measurement range for DCI

[:SENSe[1]]:VOLTage:AC:RANGe[:UPPer] &lt;n&gt;

Set measurement range for ACV

[:SENSe[1]]:VOLTage[:DC]:RANGe[:UPPer] &lt;n&gt;

Set measurement range for DCV

[:SENSe[1]]:RESistance:RANGe[:UPPer] &lt;n&gt;

Set measurement range for  $\Omega 2$ 

[:SENSe[1]]:FREsistance:RANGe[:UPPer] &lt;n&gt;

Set measurement range for  $\Omega 4$ 

[:SENSe[1]]:DISTortion:RANGe[:UPPer] &lt;n&gt;

Set measurement range for distortion

Parameters	<n> =	0 to 3.03	Expected reading is amps (ACI and DCI)
		0 to 757.5	Expected reading is AC volts (ACV)
		0 to 1010	Expected reading in DC volts (DCV)
		0 to 120e6	Expected reading is ohms ( $\Omega 2$ and $\Omega 4$ )
		0 to 757.5	Expected input signal is AC volts (distortion)
	DEFault		3 (ACI and DCI)
			775 (ACV)
			1000 (DCV)
			100e6 ( $\Omega 2$ and $\Omega 4$ )
	MINimum		0 (All functions)
	MAXimum		Same as DEFault

Query :RANGe[:UPPer]? Query measurement range  
 :RANGe[:UPPer]? DEFault Query \*RST default range  
 :RANGe[:UPPer]? MINimum Query lowest measurement range  
 :RANGe[:UPPer]? MAXimum Query highest measurement range

**Description** This command is used to manually select the measurement range for the specified measurement function. The range is selected by specifying the expected reading as an absolute value. The Model 2015 will then go to the most sensitive range that will accommodate that expected reading. For example, if you expect a reading of approximately 50mV, simply let the parameter (<n>) = 0.05 (or 50e-3) in order to select the 100mV range.

**:AUTO <b>**

<b>[[:SENSe[1]]:CURRent:AC:RANGe:AUTO &lt;b&gt;</b>	<b>Control auto range for ACI</b>
<b>[[:SENSe[1]]:CURRent[:DC]:RANGe:AUTO &lt;b&gt;</b>	<b>Control auto range for DCI</b>
<b>[[:SENSe[1]]:VOLTage:AC:RANGe:AUTO &lt;b&gt;</b>	<b>Control auto range for ACV</b>
<b>[[:SENSe[1]]:VOLTage[:DC]:RANGe:AUTO &lt;b&gt;</b>	<b>Control auto range for DCV</b>
<b>[[:SENSe[1]]:RESistance:RANGe:AUTO &lt;b&gt;</b>	<b>Control auto range for <math>\Omega</math>2</b>
<b>[[:SENSe[1]]:FRESistance:RANGe:AUTO &lt;b&gt;</b>	<b>Control auto range for <math>\Omega</math>4</b>
<b>[[:SENSe[1]]:DISTortion:RANGe:AUTO &lt;b&gt;</b>	<b>Control auto range for distortion</b>

<b>Parameters</b>	<b>&lt;b&gt; =</b>	<b>1 or ON</b>	<b>Enable auto range</b>
		<b>0 or OFF</b>	<b>Disable auto range</b>

**Query**           : **AUTO?**           Query auto range (on or off)

**Description**    These commands are used to control auto ranging. With auto ranging enabled, the instrument automatically goes to the most sensitive range to perform the measurement.

The auto range command (:RANGe:AUTO) is coupled to the command that manually selects the measurement range (:RANGe <n>). When auto range is enabled, the parameter value for :RANGe <n> changes to the selected range value. Thus, when auto range is disabled, the instrument remains at the selected range. When a valid :RANGe <n> command is sent, auto ranging disables.

## :REference <n> commands

### :REference <n>

[:SENSe[1]]:CURRent:AC:REference <n>	Specify reference for ACI
[:SENSe[1]]:CURRent[:DC]:REference <n>	Specify reference for DCI
[:SENSe[1]]:VOLTage:AC:REference <n>	Specify reference for ACV
:SENSe[1]:VOLTage[:DC]:REference <n>	Specify reference for DCV
[:SENSe[1]]:RESistance:REference <n>	Specify reference for $\Omega 2$
[:SENSe[1]]:FREStance:REference <n>	Specify reference for $\Omega 4$
[:SENSe[1]]:FREQuency:REference <n>	Specify reference for FREQ
[:SENSe[1]]:PERiod:REference <n>	Specify reference for PER
[:SENSe[1]]:TEMPerature:REference <n>	Specify reference for TEMP

<b>Parameters</b>	<n> =	-3.03 to 3.03	Reference for ACI and DCI
		-757.5 to 757.5	Reference for ACV
		-1010 to 1010	Reference for DCV
		0 to 120e6	Reference for $\Omega 2$ and $\Omega 4$
		0 to 1.5e7	Reference for FREQ
		0 to 1	Reference for PER
		-200 to 1372	Reference for TEMP
		DEFault	0 (all functions)
		MINimum	Minimum value for specified function
		MAXimum	Maximum value for specified function

<b>Query</b>	:REference?	Query programmed reference value
	:REference? DEFault	Query *RST default reference value
	:REference? MINimum	Query lowest allowable reference value
	:REference? MAXimum	Query largest allowable reference value

**Description** These commands are used to establish a reference value for the specified function. When Reference is enabled (see :REference:STATE), the result will be the algebraic difference between the input signal and the reference value:

$$\text{Reading} = \text{Input signal} - \text{Reference}$$

From the front panel, reference is called relative (REL).

The :REference <n> command is coupled to the :ACQUIRE command. The last command sent (:REference <n> or :ACQUIRE) establishes the reference. When a reference is set using the :REference <n> command, the :REference? query command returns the programmed value. Conversely, when a reference is set using the :ACQUIRE command, the :REference? query command returns the acquired reference value.

**:STATe <b>**

<b>[ :SENSe[1] ]:CURRent:AC:REFErence:STATe &lt;b&gt;</b>	<b>Control reference for ACI</b>
<b>[ :SENSe[1] ]:CURRent[:DC]:REFErence:STATe &lt;b&gt;</b>	<b>Control reference for DCI</b>
<b>[ :SENSe[1] ]:VOLTage:AC:REFErence:STATe &lt;b&gt;</b>	<b>Control reference for ACV</b>
<b>[ :SENSe[1] ]:VOLTage[:DC]:REFErence:STATe &lt;b&gt;</b>	<b>Control reference for DCV</b>
<b>[ :SENSe[1] ]:RESistance:REFErence:STATe &lt;b&gt;</b>	<b>Control reference for <math>\Omega 2</math></b>
<b>[ :SENSe[1] ]:FREStance:REFErence:STATe &lt;b&gt;</b>	<b>Control reference for <math>\Omega 4</math></b>
<b>[ :SENSe[1] ]:FREQuency:REFErence:STATe &lt;b&gt;</b>	<b>Control reference for FREQ</b>
<b>[ :SENSe[1] ]:PERiod:REFErence:STATe &lt;b&gt;</b>	<b>Control reference for PER</b>
<b>[ :SENSe[1] ]:TEMPerature:REFErence:STATe &lt;b&gt;</b>	<b>Control reference for TEMP</b>
<b>[ :SENSe[1] ]:DISTortion:REFErence:STATe &lt;b&gt;</b>	<b>Control reference for distortion</b>

<b>Parameters</b>	<b>&lt;b&gt; =</b>	<b>1 or ON</b>	<b>Enable reference</b>
		<b>0 or OFF</b>	<b>Disable reference</b>

**Query**           :STATe?           Query state of reference

**Description**    These commands are used to enable or disable Reference for the specified function. When enabled, the displayed reading will include the programmed reference value (see :REFErence <n> and :ACQuire). When disabled, the displayed reading will not include the reference value.

**:ACQuire**

<b>[ :SENSe[1] ]:CURRent:AC:REFErence:ACQuire</b>	<b>Acquire reference for ACI</b>
<b>[ :SENSe[1] ]:CURRent[:DC]:REFErence:ACQuire</b>	<b>Acquire reference for DCI</b>
<b>[ :SENSe[1] ]:VOLTage:AC:REFErence:ACQuire</b>	<b>Acquire reference for ACV</b>
<b>[ :SENSe[1] ]:VOLTage[:DC]:REFErence:ACQuire</b>	<b>Acquire reference for DCV</b>
<b>[ :SENSe[1] ]:RESistance:REFErence:ACQuire</b>	<b>Acquire reference for <math>\Omega 2</math></b>
<b>[ :SENSe[1] ]:FREStance:REFErence:ACQuire</b>	<b>Acquire reference for <math>\Omega 4</math></b>
<b>[ :SENSe[1] ]:PERiod:REFErence:ACQuire</b>	<b>Acquire reference for PER</b>
<b>[ :SENSe[1] ]:FREQuency:REFErence:ACQuire</b>	<b>Acquire reference for FREQ</b>
<b>[ :SENSe[1] ]:TEMPerature:REFErence:ACQuire</b>	<b>Acquire reference for TEMP</b>
<b>[ :SENSe[1] ]:DISTortion:REFErence:ACQuire</b>	<b>Acquire reference for distortion</b>

**Description**    When one of these commands is sent, the latest triggered reading is established as a reference value. This command is typically used to zero the display. For example, if the instrument is displaying a 1 $\mu$ V offset, sending this command and enabling Reference (see :STATe) zeroes the display.

This command is functional only if the instrument is on the specified measurement function. Sending this command while in any other function causes an error. Also, if the latest reading is overflowed (“OFLO”) or a reading has not been triggered (“----”), an error occurs when this command is sent.

The :ACQuire command is coupled to the :REFErence <n> command. See the description for :REFErence for details.

## :DIGits command

### :DIGits <n>

[:SENSe[1]]:CURRent:AC:DIGits <n>	Specify resolution for ACI
[:SENSe[1]]:CURRent:DC:DIGits <n>	Specify resolution for DCI
[:SENSe[1]]:VOLTage:AC:DIGits <n>	Specify resolution for ACV
[:SENSe[1]]:VOLTage:DC:DIGits <n>	Specify resolution for DCV
[:SENSe[1]]:RESistance:DIgits <n>	Specify resolution for $\Omega 2$
[:SENSe[1]]:FREsistance:DIgits <n>	Specify resolution for $\Omega 4$
[:SENSe[1]]:PERiod:DIgits <n>	Specify resolution for PER
[:SENSe[1]]:FREQuency:DIgits <n>	Specify resolution for FREQ
[:SENSe[1]]:TEMPerature:DIgits <n>	Specify resolution for TEMP
[:SENSe[1]]:DISTortion:DIgits <n>	Specify resolution for distortion

Parameters	<n> = 4	3½-digits
	5	4½-digits
	6	5½-digits
	7	6½-digits
	DEFault	6½-digits for DCI, DCV, $\Omega 2$ , $\Omega 4$ , FREQ, PER 5½-digits for ACI, ACV, TEMP, distortion
	MINimum	3½ for DCI, ACI, ACV, DCV, $\Omega 2$ , $\Omega 4$ , TEMP, distortion
	MAXimum	6½-digits for DCI, ACI, ACV, DCV, $\Omega 2$ , $\Omega 4$ , TEMP, distortion

Query	:DIGits?	Query selected resolution
	:DIGits? DEFault	Query *RST default resolution
	:DIGits? MINimum	Query minimum allowable resolution
	:DIGits? MAXimum	Query maximum allowable resolution

**Description** These commands are used to select display resolution for the specified measurement function.

Even though the parameters for this command are expressed as integers (4 to 7), you can specify resolution using real numbers. For example, to select 3½-digit resolution let <n> = 3.5, for 4½-digit let <n> = 4.5, and so on. Internally, the instrument rounds the entered parameter value to the nearest integer.





**:COUNT <n>**

<b>[[:SENSe[1]]:CURRent:AC:AVERAge:COUNT &lt;n&gt;</b>	<b>Specify filter count for ACI</b>
<b>[[:SENSe[1]]:CURRent[:DC]:AVERAge:COUNT &lt;n&gt;</b>	<b>Specify filter for DCI</b>
<b>[[:SENSe[1]]:VOLTage:AC:AVERAge:COUNT &lt;n&gt;</b>	<b>Specify filter count for ACV</b>
<b>[[:SENSe[1]]:VOLTage[:DC]:AVERAge:COUNT &lt;n&gt;</b>	<b>Specify filter count for DCV</b>
<b>[[:SENSe[1]]:RESistance:AVERAge:COUNT &lt;n&gt;</b>	<b>Specify filter count for <math>\Omega 2</math></b>
<b>[[:SENSe[1]]:FRESistance:AVERAge:COUNT &lt;n&gt;</b>	<b>Specify filter count for <math>\Omega 4</math></b>
<b>[[:SENSe[1]]:TEMPerature:AVERAge:COUNT &lt;n&gt;</b>	<b>Specify filter count for TEMP</b>
<b>[[:SENSe[1]]:DISTortion:AVERAge:COUNT &lt;n&gt;</b>	<b>Specify filter count for distortion</b>

<b>Parameters</b>	<b>&lt;n&gt; = 1 to 100</b>	Specify filter count
	<b>DEFault 10</b>	
	<b>MINimum 1</b>	
	<b>MAXimum 100</b>	
<b>Query</b>	<b>:COUNT?</b>	Query filter count
	<b>:COUNT? DEFault</b>	Query the *RST default filter count
	<b>:COUNT? MINimum</b>	Query the lowest allowable filter count
	<b>:COUNT? MAXimum</b>	Query the largest allowable filter count

**Description** These commands are used to specify the filter count. In general, the filter count is the number of readings that are acquired and stored in the filter buffer for the averaging calculation. The larger the filter count, the more filtering that is performed.

## Bandwidth command

**:BANDwidth <n>**

<b>[[:SENSe[1]]:CURRent:AC:DETEctor:BANDwidth &lt;n&gt;</b>	<b>Specify maximum bandwidth for ACI</b>
<b>[[:SENSe[1]]:VOLTage:AC:DETEctor:BANDwidth &lt;n&gt;</b>	<b>Specify maximum bandwidth for ACV</b>

**Parameters** <n> = 3 to 300e3 Specify bandwidth (in Hz)

**Query** BANDwidth? Query selected bandwidth

**Description** The Model 2015 uses three bandwidth settings for ACI and ACV measurements; 3 (3Hz-300kHz), 30 (30Hz-300kHz) and 300 (300Hz-300kHz). To achieve best accuracy, you should use the bandwidth setting that best reflects the frequency of the input signal. For example, if the input signal is 40Hz, then a bandwidth setting of 30 should be used.

These commands are used to select bandwidth for the ACI and ACV functions. To set the bandwidth, simply specify (approximately) the frequency of the input signal. The Model 2015 will select the optimum bandwidth setting.

**NOTE** For bandwidth setting of 3 and 30, the normal A/D reading conversion method is not used. Thus, the NPLC setting is only valid for bandwidth setting of 300.



**:SIMulated <n>**

[:SENSe[1]]:TEMPerature:TCouple:RJUNction[1]:SIMulated &lt;n&gt;

<b>Parameters</b>	<n> =	0 to 50	Specify temperature in °C
		32 to 122	Specify temperature in °F
		273 to 323	Specify temperature in K
		DEFault	23°C, 73.4°F, 296K
		MINimum	0°C, 32°F, 273K
		MAXimum	50°C, 122°F, 323K

<b>Query</b>	:SIMulated?	Query simulated reference
	:SIMulated? DEFault	Query default *RST reference
	:SIMulated? MINimum	Query lowest allowable reference
	:SIMulated? MAXimum	Query largest allowable reference

**Description** This command is used to specify the simulated reference temperature. The temperature value depends on which temperature scale is currently selected (°C, °F or K). Typically, 0° or 23°C is used as the simulated reference temperature.

**:DIODE command****:RANGe[:UPPer] <NRf>**[:SENSe[1]]:DIODE:CURRent:RANGe[:UPPer] <NRf> **Select current range for diode test**

**Parameters** <NRf> = 0 to 1e-3 Specify diode test current

**Query** [UPPer]? Query selected range

**Description** There are three current ranges available for the diode test: 10µA range, 100µA range and the 1mA range. Range is selected by using this command to specify the expected current for the diode under test. The instrument will then select the appropriate range.

**:CONTInuity command****:THReshold <n>**[:SENSe[1]]:CONTInuity:THReshold <NRf> **Specify threshold resistance**

**Parameters** <NRf> = 1 to 1000 Specify threshold in ohms

**Query** :THReshold? Query threshold resistance

This command is used to specify the threshold resistance for the continuity test. Continuity occurs when the measurement is less than or equal to the specified threshold level.

## :DISTortion commands

### :TYPE <name>

[SENSe[1]]:DISTortion:TYPE <name>

Select measurement type

Parameters <name> = THD THD type  
 THDN THD+n type  
 SINAD SINAD type

Query TYPE? Query measurement type

Description This command selects the type of distortion measurement. Selecting SINAD sets the units to dB. Trying to change units to percent generates a -221 Settings Conflict Error. Units remain dB when changing back to THD or THD+n, but can then be changed to percent.

### :FREQUENCY[:SET] <NRf>

[SENSe[1]]:DISTortion:FREQUENCY[:SET] <NRf>

Set measurement range for distortion

Parameters <NRf> = 20 to 20000 Input signal frequency for distortion

Query :FREQUENCY? Query programmed frequency

Description The Model 2015 must know the frequency of the fundamental of the input waveform whose distortion is to be measured. This function lets you enter the frequency of that fundamental. Setting a frequency value will turn :AUTO OFF. The frequency may be set any of four different ways:

- Entering a value via GPIB with the [SENSe[1]]:DISTortion:FREQUENCY command.
- Entering a value via the front panel.
- Using the [SENSe[1]]:DISTortion:FREQUENCY:AUTO ON command.
- Using the [SENSe[1]]:DISTortion:FREQUENCY:ACQUIRE command.

The query response is the value entered by this command or the most recently acquired frequency. In the auto mode, the response is also the most recently acquired frequency.

### :AUTO <b>

[SENSe[1]]:DISTortion:FREQUENCY:AUTO <b>

Control auto frequency acquisition for distortion

Parameters <b> = 1 or ON Enable auto frequency  
 0 or OFF Disable auto frequency

Query :AUTO? Query auto frequency (on or off)

Description This command controls the automatic measurement of the frequency of the fundamental of the input waveform whose distortion is to be measured. With auto frequency enabled, the Model 2015 will measure the frequency before each reading. It will then use that measured value as the fundamental when calculating the distortion. When disabled, the last frequency acquired is used.





The following distortion command queries are for use in “one-shot” measurement mode (at the event detection trigger model state or the idle state with a trigger count of one). Otherwise, an “error -221, settings conflict” occurs and the command is ignored. The intent is to be able to correlate all of these readings to one acquired set of data.

**:HARMonic:MAGNitude? <start#,end#>**

**[:SENSe[1]]:DISTortion:HARMonic:MAGNitude? <start#,end#>** Query magnitude of measured harmonics

**Parameters** <start#,end#> =2 to 64 Specify starting and ending harmonic

**Description** This command queries the magnitude of the measured harmonics of the last date acquired without triggering a new reading. Both parameters are required, even if querying a single harmonic (e.g., :MAGNitude? 2,2). Non-integer values are truncated. The query does not return the magnitude of any harmonics above the number set with the :HARMonic[:UPPer] command.

**:THD?**

**[:SENSe[1]]:DISTortion:THD?** Query THD reading calculated

**Description** This command queries the THD reading calculated from the last acquired data without triggering a new reading.

**:THDN?**

**[:SENSe[1]]:DISTortion:THDN?** Query THD+n reading

**Description** This command queries the THD+n reading from the last acquired data without triggering a new value.

**:RMS?**

**[:SENSe[1]]:DISTortion:RMS?** Query ACV RMS reading of input waveform

**Description** This command queries the ACV RMS reading of the input waveform calculated from the last acquired data without triggering a new reading.

## :PEAK commands (Model 2015P only)

The following information summarizes the commands used to control the peak function of the Model 2015P multimeter. For more information on peak function operation, see “Analyzing frequency spectrum” in Section 2.

### :MAX?

[[:SENSe[1]]]:DISTortion:PEAK:MAX?

**Request maximum amplitude, frequency pair**

#### Description

This query command is used to search and return the amplitude, frequency pair of the maximum peak value. Amplitude is returned as a dBV value. It also updates the current location position to this frequency.

Example – If the peak amplitude is -10dBV @ 1kHz, the MAX? command will return the following values:

1000, -10

The MAX? command must be sent before using the NEXT?, LEFT? or RIGHT? commands.

### :NEXT?

[[:SENSe[1]]]:DISTortion:PEAK:NEXT?

**Request next highest amplitude, frequency pair**

#### Description

This query command is used to search and return the next highest amplitude, frequency pair. Amplitude is returned as a dBV value. It also updates the current location position to this frequency.

Example – If the next highest amplitude is -15dBV @ 3kHz, NEXT? will return the following values:

3000, 15

Now assume the next highest amplitude is -20dBV @ 500Hz. If you send NEXT? again, the following values will be returned.

500, -20



**:LEFT?****:RIGHT?**

[:SENSe[1]]:DISTortion:PEAK:LEFT?

**Request the next highest amplitude at a lower frequency**

[:SENSe[1]]:DISTortion:PEAK:RIGHT?

**Request the next highest amplitude at a higher frequency****Description**

These query commands are used to search and return the next highest amplitude, frequency pair for a frequency that is lower (LEFT?) or higher (RIGHT?) than the present frequency location. Amplitude is returned as a dBV value. It also updates the current location position to this frequency.

Example – Assume the present frequency location is 1kHz with an amplitude of -10dBV, and the next highest amplitude at a lower frequency is -12dBV @ 800Hz. The LEFT? command will return the following values:

800, -12

**:SREF**

[:SENSe[1]]:DISTortion:PEAK:SREF

**Set “reference marker” to current frequency location****Description**

This action command is used to set the reference marker (SREF) for the delta function. A delta reading is the difference in frequency (Hz) and magnitude (dBV) between the reference marker (SREF) and the present frequency location.

When SREF is sent, the amplitude at the current frequency location becomes the reference marker.

The description for the DELTA? command explains how delta readings are calculated.

**:SRF <freq>**

[:SENSe[1]]:DISTortion:PEAK:SRF &lt;freq&gt;

**Acquire amplitude at specified frequency for delta function****Parameters**

&lt;freq&gt; = 20 to 50e3

20 to 50kHz

**Description**

This command is used to move to the specified frequency location. This command is typically used prior to sending the DELTA? command. When DELTA? is then sent, the amplitude (in dBV) and the frequency are used in the calculations.

The description for the DELTA? command explains how delta is calculated.

**:DELTA?**

[:SENSe[1]]:DISTortion:PEAK:DELTA?

**Return result of delta function****Description**

This command returns the results of the delta function. The delta function returns the difference in frequency and amplitude between the reference marker (as marked by SREF) and the present location.

Example – Assume the amplitude and frequency for the reference marker is -10dBV @ 1kHz and amplitude and frequency at the present location is -15dBV @ 600Hz. The delta function results are calculated as follows:

$$\begin{aligned} \text{delta (frequency)} &= \text{SREF frequency} - \text{frequency at present location} \\ &= 1\text{kHz} - 600\text{ Hz} \\ &= 400\text{Hz} \end{aligned}$$

$$\begin{aligned} \text{delta (amplitude)} &= \text{SREF dBV value} - \text{dBV value at present location} \\ &= -10\text{dBV} - (-15\text{dBV}) \\ &= +5\text{dBV} \end{aligned}$$

The following values will be returned by DELTA?:

400, 5

**:LOC?**

[:SENSe[1]]:DISTortion:PEAK:LOC?

**Return amplitude for the present frequency****Description**

This command returns the amplitude, frequency pair for the present location. Amplitude is returned as a dBV value.

Example – Assume the present location is at 1kHz with amplitude at -12dBV. The LOC? command will return the following values:

1000, -12

**:LOWER <freq>****:UPPER <freq>**

[:SENSe[1]]:DISTortion:PEAK:LOWER &lt;freq&gt;

**Set lower bound for frequency search**

[:SENSe[1]]:DISTortion:PEAK:UPPER &lt;freq&gt;

**Set upper bound for frequency search****Parameters**

&lt;freq&gt; = 20 to 50e3

20 to 50kHz

**Query**

:LOWER?

Query lower bound frequency

:UPPER?

Query upper bound frequency

**Description**

These commands are used to set the lower and/or upper bound for the frequency search. The unit will not search frequencies beyond the lower and upper bounds.

**LIST <freqlist>**[:SENSe[1]]:DISTortion:PEAK:LIST <freqlist> **Specify list of frequencies to be analyzed****Parameter** <freqlist> = up to 50 frequencies separated by commas (,)**Query** :LIST? Query frequencies in list**Description** This command is used to specify frequencies (in Hz) to be analyzed by the LIST:DATA? command. LIST:DATA? then returns the amplitudes of the listed frequencies.*NOTE The distortion frequency must be set to 20Hz (DIST:FREQ 20) before using the LIST command.*

If you list a frequency that is not a multiple of 20 (i.e., 517Hz), the frequency that will be analyzed is the next lowest multiple of 20 (i.e., 500Hz). See LIST:DATA? (next command) for more information.

The following command shows proper syntax:

:DIST:PEAK:LIST 1000,1100,1200

The above command specifies frequencies 1.0kHz, 1.1kHz, and 1.2kHz for analysis.

**:LIST:DATA?**[:SENSe[1]]:DISTortion:PEAK:LIST:DATA? **Returns amplitudes for LIST frequencies****Description** This command is used to return the amplitudes for the frequencies specified by the LIST command. However, listed frequencies that are not a multiple of 20 are rounded down to the next multiple of 20. For example, for a listed frequency of 519Hz, this command will return the amplitude for 500Hz. For a listed frequency of 601Hz, the amplitude for 600Hz will be returned.

Example: Assume the LIST frequencies are 1kHz, 1.1kHz, and 1.2kHz, and the respective amplitudes are -8dBV, -9dBV, and -10dBV. After this command is sent and the instrument is addressed to talk, the following values will be sent to the computer:

-8, -9, -10

## STATus subsystem

The STATus subsystem is used to control the status registers of the Model 2015. The commands in this subsystem are summarized in [Table 5-8](#).

## [:EVENT]? command

### [:EVENT]?

:STATus:MEASurement[:EVENT]?

Read Measurement Event Register

:STATus:OPERation[:EVENT]?

Read Operation Event Register

:STATus:QUESTionable[:EVENT]?

Read Questionable Event Register

### Description

These query commands are used to read the event registers. After sending one of these commands and addressing the Model 2015 to talk, a decimal value is sent to the computer. The binary equivalent of this value determines which bits in the appropriate register are set. The event registers are shown in [Figure 5-4](#), [Figure 5-5](#), and [Figure 5-6](#). Note that reading an event register clears the bits in that register.

For example, assume that reading the Measurement Event Register results in an acquired decimal value of 544. The binary equivalent is 0000001000100000. For this binary value, bits B5 and B9 of the Measurement Event Register are set.

### Measurement Event Register:

**Bit B0, Reading Overflow (ROF)** — Set bit indicates that the reading exceeds the measurement range of the instrument.

**Bit B1, Low Limit 1 (LL1)** — Set bit indicates that the reading is less than the Low Limit 1 setting.

**Bit B2, High Limit 1 (HL1)** — Set bit indicates that the reading is greater than the High Limit 1 setting.

**Bits B3, Low Limit 2 (LL2)** — Set bit indicates that the reading is less than the Low Limit 2 setting.

**Bits B4, High Limit 2 (HL2)** — Set bit indicates that the reading is greater than the High Limit 2 setting.

**Bit B5, Reading Available (RAV)** — Set bit indicates that a reading was taken and processed.

**Bit B6** — Not used.

**Bit B7, Buffer Available (BAV)** — Set bit indicates that there are at least two readings in the trace buffer.

**Bit B8, Buffer Half Full (BHF)** — Set bit indicates that the trace buffer is half full.

**Bit B9, Buffer Full (BFL)** — Set bit indicates that the trace buffer is full.

**Bits B11, Reading Underflow (RUF)** — Set bit indicates that the reading is too low for the present measurement range.

**Bits B12, Distortion Frequency Overflow (TFO)** — Set bit indicates the frequency is too high for distortion measurements.

**Bits B13, Distortion Frequency Underflow (TFU)** — Set bit indicates the frequency is too low for distortion measurements.

**Bits B14, Distortion Shaping Filter Error (TSF)** — Set bit indicates the frequency not defined for the shaping filter in use.

**Bit B15** — Not used.

**Figure 5-4**  
Measurement  
event register

Bit Position	B15	B14	B13	B12	B11	B10	B9	B8	B7	B6	B5	B4	B3	B2	B1	B0
Event	—	TSF	TFU	TFO	RUF	—	BFL	BHF	BAV	—	RAV	HL2	LL2	HL1	LL1	ROF
Decimal Weighting	—	16384 (2 <sup>14</sup> )	8192 (2 <sup>13</sup> )	4096 (2 <sup>12</sup> )	2048 (2 <sup>11</sup> )	—	512 (2 <sup>9</sup> )	256 (2 <sup>8</sup> )	128 (2 <sup>7</sup> )	—	32 (2 <sup>5</sup> )	16 (2 <sup>4</sup> )	8 (2 <sup>3</sup> )	4 (2 <sup>2</sup> )	2 (2 <sup>1</sup> )	1 (2 <sup>0</sup> )
Value	—	0/1	0/1	0/1	0/1	—	0/1	0/1	0/1	—	0/1	0/1	0/1	0/1	0/1	0/1

Value : 1 = Measurement Event Set  
0 = Measurement Event Cleared

Events : TSF = Distortion Shaping Filter Error  
TFU = Distortion Frequency  
TFO = Distortion Frequency Overflow  
RUF = Reading Underflow  
BFL = Buffer Full  
BHF = Buffer Half Full  
BAV = Buffer Available  
RAV = Reading Underflow  
HL2 = High Limit 2  
LL2 = Low Limit 2  
HL1 = High Limit  
LL1 = Low Limit  
ROF = Reading Overflow

### Questionable Event Register:

**Bits B0 through B3** — Not used.

**Bit B4, Temperature Summary (Temp)** — Set bit indicates that an invalid reference junction measurement has occurred for thermocouple temperature measurements.

**Bits B5, B6 and B7** — Not used.

**Bit B8, Calibration Summary (Cal)** — Set bit indicates that an invalid calibration constant was detected during the power-up sequence. The instrument will instead use a default calibration constant. This error will clear after successful calibration of the instrument.

**Bits B9 through B13** — Not used.

**Bit B14, Command Warning (Warn)** — Set bit indicates that a Signal Oriented Measurement Command parameter has been ignored.

**NOTE** Whenever a questionable event occurs, the ERR annunciator will turn on. The annunciator will turn off when the questionable event clears.

**Figure 5-5**  
*Questionable event register*

Bit Position	B15	B14	B13 - B9	B8	B7 - B5	B4	B3 - B0
Event	—	Warn	—	Cal	—	Temp	—
Decimal Weighting	—	16384 (2 <sup>14</sup> )	—	256 (2 <sup>8</sup> )	—	16 (2 <sup>4</sup> )	—
Value	0	0/1	—	0/1	—	0/1	—

Value : 1 = Questionable Event Bit Set  
0 = Questionable Event Bit Cleared

Events : Warn = Command Warning  
Cal = Calibration Summary  
Temp = Temperature Summary

**Operation Event Register:**

**Bits B0 through B3** — Not used.

**Bit B4, Measuring (Meas)** — Set bit indicates that the instrument is performing a measurement.

**Bit B5, Triggering (Trig)** — Set bit indicates that the instrument is in the Device Action block of the Trigger Model.

**Bits B6 through B9** — Not used.

**Bit B10, Idle** — Set bit indicates that the instruments in the idle state.

**Bits B11 through B15** — Not used.

**Figure 5-6**  
*Operation event register*

Bit Position	B15	B14 - B12	B11	B10	B9	B8	B7	B6	B5	B4	B3	B2	B1	B0
Event	—	—	—	Idle	—	—	—	—	Trig	Meas	—	—	—	—
Decimal Weighting	—	—	—	1024 (2 <sup>10</sup> )	—	—	—	—	32 (2 <sup>5</sup> )	16 (2 <sup>4</sup> )	—	—	—	—
Value	0	—	—	0/1	—	—	—	—	0/1	0/1	—	—	—	—

Value : 1 = Operation Event Set  
0 = Operation Event Cleared

Events : Idle = Idle state of the 2000  
Trig = Triggering  
Meas = Measuring

## :ENABLE command

### :ENABle <Nrf>

:STATus:MEASurement:ENABle <Nrf>

Program Measurement Event Enable Register

:STATus:QUEStionable:ENABle <Nrf>

Program Questionable Event Enable Register

:STATus:OPERation:ENABle <Nrf>

Program Operation Event Enable Register

Parameters	<Nrf> = 0	Clear register	<Nrf> = 128	Set bit B7
	1	Set bit B0	256	Set bit B8
	2	Set bit B1	512	Set bit B9
	4	Set bit B2	1024	Set bit B10
	16	Set bit B4	16384	Set bit B14
	32	Set bit B5	65535	Set all bits
	64	Set bit B6		

Query :ENABle? Query enable register

**Description** These commands are used to set the contents of the event enable registers (see [Figure 5-7](#), [Figure 5-8](#), and [Figure 5-9](#)). An :ENABle command is sent with the decimal equivalent of the binary value that determines the desired state (0 or 1) of each bit in the appropriate register.

Each event enable register is used as a mask for events (see [:EVENT] for descriptions of events). When a bit in an event enable register is cleared (0), the corresponding bit in the event register is masked and thus, cannot set the corresponding summary bit of the next register set in the status structure. Conversely, when a bit in an event enable register is set (1), the corresponding bit in the event register is unmasked. When the unmasked bit in the event register sets, the summary bit of the next register set in the status structure will set.

The decimal weighting of the bits for each event enable register are included in [Figure 5-7](#), [Figure 5-8](#), and [Figure 5-9](#). The sum of the decimal weights of the bits that you wish to set is sent as the parameter (<Nrf>) for the appropriate :ENABle command. For example, to set the BFL and RAV bits of the Measurement Event Enable Register, send the following command:

```
:stat:meas:enab 544
```

where; BFL (bit B9) = Decimal = 512  
RAV (bit B5) = Decimal = 32  
<Nrf> = 544

**Figure 5-7**  
*Measurement event enable register*

Bit Position	B15	B14	B13	B12	B11	B10	B9	B8	B7	B6	B5	B4	B3	B2	B1	B0
Event	---	TSF	TFU	TFO	RUF	---	BFL	BHF	BAV	---	RAV	HL2	LL2	HL1	LL1	ROF
Decimal Weighting	---	16384 (2 <sup>14</sup> )	8192 (2 <sup>13</sup> )	4096 (2 <sup>12</sup> )	2048 (2 <sup>11</sup> )	---	512 (2 <sup>9</sup> )	256 (2 <sup>8</sup> )	128 (2 <sup>7</sup> )	---	32 (2 <sup>5</sup> )	16 (2 <sup>4</sup> )	8 (2 <sup>3</sup> )	4 (2 <sup>2</sup> )	2 (2 <sup>1</sup> )	1 (2 <sup>0</sup> )
Value	---	0/1	0/1	0/1	0/1	---	0/1	0/1	0/1	---	0/1	0/1	0/1	0/1	0/1	0/1

Value : 1 = Measurement Event Set  
0 = Measurement Event Cleared

Events : TSF = Distortion Shaping Filter Error  
TFU = Distortion Frequency  
TFO = Distortion Frequency Overflow  
RUF = Reading Underflow  
BFL = Buffer Full  
BHF = Buffer Half Full  
BAV = Buffer Available  
RAV = Reading Available  
HL2 = High Limit 2  
LL2 = Low Limit 2  
HL1 = High Limit  
LL1 = Low Limit  
ROF = Reading Overflow

**Figure 5-8**  
*Questionable event enable register*

Bit Position	B15	B14	B13 - B9	B8	B7 - B5	B4	B3 - B0
Event	---	Warn	---	Cal	---	Temp	---
Decimal Weighting	---	16384 (2 <sup>14</sup> )	---	256 (2 <sup>8</sup> )	---	16 (2 <sup>4</sup> )	---
Value	0	0/1	---	0/1	---	0/1	---

Value : 1 = Enable Questionable Event  
0 = Disable (Mask) Questionable Event

Events : Warn = Command Warning  
Cal = Calibration Summary  
Temp = Temperature Summary

**Figure 5-9**  
*Operation event enable register*

Bit Position	B15 - B11	B10	B9	B8	B7	B6	B5	B4	B3	B2	B1	B0
Event	---	Idle	---	---	---	---	Trig	Meas	---	---	---	---
Decimal Weighting	---	1024 (2 <sup>10</sup> )	---	---	---	---	32 (2 <sup>5</sup> )	16 (2 <sup>4</sup> )	---	---	---	---
Value	---	0/1	---	---	---	---	0/1	0/1	---	---	---	---

Value : 1 = Enable Operation Event  
0 = Disable (Mask) Operation Event

Events : Idle = Idle state of the 2000  
Trig = Triggering  
Meas = Measuring



## :CONDition? command

### :CONDition?

:STATUS:MEASurement:CONDition?

Read Measurement Condition Register

:STATUS:QUESTionable:CONDition?

Read Questionable Condition Register

:STATUS:OPERation:CONDition?

Read Operation Condition Register

**Description** These query commands are used to read the contents of the condition registers. Each set of event registers (except the Standard Event register set) has a condition register. A condition register is similar to its corresponding event register, except that it is a real-time register that constantly updates to reflect the current operating status of the instrument. See [:EVENT] for register bit descriptions.

After sending one of these commands and addressing the Model 2015 to talk, a decimal value is sent to the computer. The binary equivalent of this decimal value indicates which bits in the register are set.

For example, if sending :stat:meas:cond? returns a decimal value of 512 (binary 0000001000000000), bit B9 of the Measurement Condition Register is set indicating that the trace buffer is full.

## :PRESet command

### :PRESet

:STATUS:PRESet

Return registers to default conditions

**Description** When this command is sent, the SCPI event registers are affected as follows:

All bits of the following registers are cleared to zero (0):

- Questionable Event Enable Register.
- Measurement Event Enable Register.
- Operation Event Enable Register

*NOTE* Registers not included in the above list are not affected by this command.

## :QUEue commands

### [[:NEXT]]?

:STATus:QUEue[:NEXT]?

### Read Error Queue

**Description** As error and status messages occur, they are placed into the Error Queue. This query command is used to read those messages.

The Error Queue is a first-in, first-out (FIFO) register. Every time you read the queue, the “oldest” message is read and that message is then removed from the queue. The queue will hold up to 10 messages. If the queue becomes full, the message “350, ‘Queue Overflow” will occupy the last memory location in the register. On power-up, the Error Queue is empty. When the Error Queue is empty, the message “0, ‘No error” is placed in the Error Queue.

The messages in the queue are preceded by a number. Negative (-) numbers are used for SCPI defined messages, and positive (+) numbers are used for Keithley defined messages. The messages are listed in Appendix B.

After this command is sent and the Model 2015 is addressed to talk, the “oldest” message in the queue is sent to the computer.

*NOTE* The :STATus:QUEue[:NEXT]? query command performs the same function as the :SYSTem:ERRor? query command (see System subsystem).

### :CLEar

:STATus:QUEue:CLEar

### Clear Error Queue

**Description** This action command is used to clear the Error Queue of messages.

**:ENABle <list>****:STATus:QUEue:ENABle <list>****Enable messages for Error Queue****Parameter** <list> = (numlist)

where numlist is a specified list of messages that you wish to enable for the Error Queue.

**Query** :ENABle? Query list of enabled messages

**Description** On power-up, all error messages are enabled and will go into the Error Queue as they occur. Status messages are not enabled and will not go into the queue. This command is used to specify which messages you want enabled. Messages not specified will be disabled and prevented from entering the queue.

When this command is sent, all messages will first be disabled, then the messages specified in the list will be enabled. Thus, the returned list (:ENABle?) will contain all the enabled messages.

Messages are specified by numbers (see Appendix B). The following examples show various forms for expressing a message numlist:

Numlist =-110	Single message.
-110, -140, -222	Messages separated by commas.
-110:-222	Range of messages (- 110 through - 222).
-110:-222, -230	Range entry and single entry separated by a comma.

*NOTE To disable all messages from entering the Error Queue, send the following command:*

```
:stat:que:enab ()
```

**:DISABle <list>****:STATus:QUEue:DISABle <list>****Disable messages for Error Queue****Parameter** <list> = (numlist)

where numlist is a specified list of messages that you wish to disable for the Error Queue.

**Query** :DISABle? Query list of disabled messages

**Description** On power-up, all error messages are enabled and will go into the Error Queue as they occur. Status messages are not enabled and will not go into the queue. This command is used to specify which messages you want disabled. Disabled messages are prevented from going into the Error Queue.

Messages are specified by numbers (see Appendix B). See :QUEue:ENABle for examples to express a numlist.



## :POSetup <name> command

### :POSetup <name>

:SYSTem:POSetup <name>

#### Program power-on defaults

Parameters	<name> = RST	Select *RST defaults on power up
	PRESet	Select :SYSTem:PRESet defaults on power up
	SAV0	Select saved defaults on power up

Query	:POSetup?	Query power-on setup
-------	-----------	----------------------

**Description** This command is used to select the power-on defaults. With RST selected, the instrument powers up to the \*RST default conditions. With PRES selected, the instrument powers up to the :SYSTem:PRESet default conditions. Default conditions are listed in the SCPI tables ([Table 5-2](#) through [Table 5-11](#)).

With the SAV0 parameter selected, the instrument powers-on to the setup that is saved in the specified location using the \*SAV command.

## :FRSWitch? command

### :FRSWitch?

:SYSTem:FRSWitch?

#### Read INPUTS switch

**Description** This query command is used to read the position of the FRONT/REAR INPUTS switch. Switch position code is defined as follows:

1 = Front panel inputs selected  
0 = Rear panel inputs selected

## :VERsion? command

### :VERsion?

:SYSTem:VERsion?

#### Read SCPI version

**Description** This query command is used to read the version of the SCPI standard being used by the Model 2015. Example code:

```
1991.0
```

The above response message indicates the version of the SCPI standard.

## :ERRor? command

### :ERRor?

:SYSTem:ERRor?

### Read Error Queue

#### Description

As error and status messages occur, they are placed into the Error Queue. This query command is used to read those messages. The Error Queue is a first-in, first-out (FIFO) register that can hold up to 10 messages. Every time you read the queue, the “oldest” message is read and that message is then removed from the queue.

If the queue becomes full, the message “350, Queue Overflow” occupies the last memory location in the register. On power-up, the queue is empty. When the Error Queue is empty, the message “0, No error” is placed in the Error Queue.

The messages in the queue are preceded by a number. Negative (-) numbers are used for SCPI defined messages, and positive (+) numbers are used for Keithley defined messages. Appendix B lists the messages.

*NOTE* The :SYSTem:ERRor? query command performs the same function as the :STATus:QUEue? query command (see STATus subsystem).

## :AZERo commands

### :STATe <b>

:SYSTem:AZERo:STATe <b>

### Control autozero

#### Parameters

<b> = 1 or ON Enable autozero  
0 or OFF Disable autozero

#### Query

:STATe? Query state of autozero

#### Description

This command is used to disable or enable autozero. When enabled, accuracy is optimized. When disabled, speed is increased at the expense of accuracy.

Important Note: Before you can enable or disable auto-zero, the Model 2015 must first be in the idle state. The Model 2015 can be placed in the idle state by first disabling continuous initiation (:INITiate:CONTInuous OFF), and then sending the :ABORt command. After sending the :STATe command, readings can be re-started by sending :INITiate:CONTInuous ON or :INITiate.

#### Program

```
PRINT #1, "output 16; :init:cont off; :abor" 'Place 2015 in idle
PRINT #1, "output 16; :syst:azer:stat off; stat?" ' Disable autozero
PRINT #1, "enter 16" ' Get response from 2015
LINE INPUT #2, a$ ' Read response
PRINT a$ ' Display response
PRINT #1, "output 16; :init:cont on" ' Take 2015 out of idle
```

*NOTE* When finished, be sure to re-enable autozero.

## :CLEar command

**:CLEar****:SYSTEM:CLEar****Clear Error Queue****Description** This action command is used to clear the Error Queue of messages.

## :KEY <NRf> command

**:SYSTEM:KEY <NRf>****Simulate key-press**

Parameters	<NRf> = 1	SHIFT key	<NRf> = 17	LOCAL key
	2	DCV key	18	EX TRIG key
	3	ACV key	19	TRIG key
	4	DCI key	20	STORE key
	5	ACI	21	RECALL key
	6	Ω2 key	22	FILTER key
	7	Ω4 key	23	REL key
	8	FREQ key	24	left arrow key
	9	—	25	—
	10	—	26	SOURCE key
	11	up arrow key	27	MEAS key
	12	AUTO key	28	STEP key
	13	down arrow key	29	SCAN key
	14	ENTER key	30	DIGITS key
	15	right arrow key	31	RATE key
	16	TEMP key	32	EXIT key

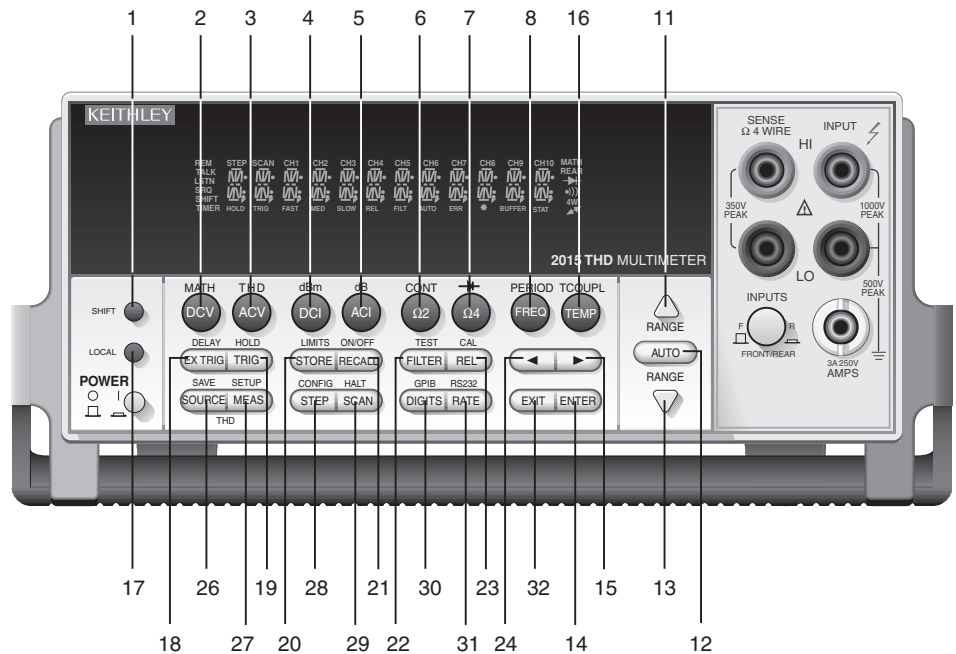
**Query** :KEY? Query last “pressed” key.**Description** This command is used to simulate front panel key presses. For example, to select DCV you can send the following command to simulate pressing the DCV key:

```
:syst:key 2
```

The parameter listing provides the key-press code in numeric order. [Figure 5-10](#) also illustrates the key-press codes.

The queue for the :KEY? query command can only hold one key-press. When :KEY? is sent over the bus, and the Model 2015 is addressed to talk, the key-press code number for the last key pressed (either physically or with :KEY) is sent to the computer.

Figure 5-10  
Key-press codes



## RS-232 interface commands

### :LOCAL

:SYSTEM:LOCAL

Take 2015 out of remote

#### Description

Normally, the Model 2015 is in local during RS-232 communications. In this state, front panel keys are operational. However, the user may wish to lock out front keys during RS-232 communications (see :RWLock).

This action command is used to take the Model 2015 out of the remote state and enables the operation of front panel keys. Note that this command can only be sent over the RS-232 interface.

### :REMOte

:SYSTEM:REMOte

Place the Model 2015 in remote

#### Description

This action command is used to place the Model 2015 in the remote state. In remote, the front panel keys will be locked out if local lockout is asserted (see :RWLock). Note that this command can only be sent over the RS-232 interface.

### :RWLock

:SYSTEM:RWLock

Disable front panel keys

#### Description

This action command is used to disable front panel controls (local lockout) during RS-232 operation.

Taking the instrument out of remote (see :LOCAL) restores front panel keys operation. Note that this command can only be sent over the RS-232 interface.



## Line frequency query

**:LFrequency?**

**:SYSTem:LFrequency?**

**Query line frequency**

**Description** This query returns the frequency of the power line from which the unit is operating. The power line frequency is automatically sensed upon power-up.

## :TRACe subsystem

The commands in this subsystem are used to configure and control data storage into the buffer. The commands are summarized in [Table 5-10](#).

**:TRACe | :DATA**

The bar (|) indicates that :TRACe or :DATA can be used as the root command for this subsystem. From this point on, the documentation in this manual uses :TRACe. If you prefer to use :DATA, simply replace all the :TRACe command words with :DATA.

### :CLEAr command

**:CLEAr**

**:TRACe:CLEAr**

**Clear buffer**

**Description** This action command is used to clear the buffer of readings. If you do not clear the buffer, a subsequent store will overwrite the old readings. If the subsequent store is aborted before the buffer becomes full, you could end up with some “old” readings still in the buffer.

### :FREE? command

**:FREE?**

**:TRACe:FREE?**

**Read status of memory**

**Description** This command is used to read the status of storage memory. After sending this command and addressing the Model 2015 to talk, two values separated by commas are sent to the computer. The first value indicates how many bytes of memory are available, and the second value indicates how many bytes are reserved to store readings.

### :POINts command

**:POINts <NRf>**

**:TRACe:POINts <NRf>**

**Specify buffer size**

**Parameter** <n> = 2 to 1024

**Query** :POINts? Query the buffer size

**Description** This command is used to specify the size of the buffer.

## :FEED command

**:FEED <name>**

**:TRACe:FEED <name>**

**Specify readings source**

<b>Parameters</b>	<name> = SENSE[1]	Put raw readings in buffer
	CALCulate[1]	Put calculated readings in buffer
	NONE	Put no readings in buffer

**Query** :FEED? Query buffer feed

**Description** This command is used to select the source of readings to be placed in the buffer. With SENSE[1] selected, raw readings are placed in the buffer when storage is performed. With CALCulate[1] selected, calculated math readings (mx+b or PERCent or NONE) are placed in the buffer.

With NONE selected, no readings are placed in the buffer when storage is performed over the bus.

**:CONTrol <name>**

**:TRACe:FEED:CONTrol <name>**

**Specify buffer control**

<b>Parameters</b>	<name> = NEVER	Disables buffer storage
	NEXT	Fills buffer and stops

**Query** :CONTrol? Query buffer control

**Description** This command is used to select the buffer control. With NEVER selected, storage into the buffer is disabled. With either of the other selections, storage is performed as long as buffer feed is not set for NONE (see :TRACe:FEED NONE). When NEXT is selected, the storage process starts, fills the buffer and then stops. The buffer size is specified by the :POINts command.

## :DATA? command

**:DATA?**

**:TRACe:DATA?**

**Send buffer readings**

**Description** When this command is sent and the Model 2015 is addressed to talk, all the readings stored in the buffer are sent to the computer. The format that readings are sent over the bus is controlled by the :FORMat subsystem.

# Trigger subsystem

The Trigger subsystem is made up of a series of commands and subsystems to configure the Trigger Model. These commands and subsystems are summarized in [Table 5-11](#).

## :INITiate commands

### [:IMMediate]

:INITiate[:IMMediate]

**Take 2015 out of idle state**

**Description** This command takes the Model 2015 out of the idle state. After all programmed operations are completed, the instrument returns to the idle state if continuous initiation is disabled; (see next command).

### :CONTInuous <b>

:INITiate:CONTInuous <b>

**Control continuous initiation**

**Parameters** <b> = 0 or OFF Disable continuous initiation  
1 or ON Enable continuous initiation

**Query** :CONTInuous? Query continuous initiation

**Description** When continuous initiation is selected (ON), the instrument is taken out of the idle state. At the conclusion of all programmed operations, the instrument returns to the top of the trigger model.

*NOTE: With continuous initiation enabled (ON), you cannot use the :READ? command or set sample count greater than one (see :SAMPle:COUNt).*

## :ABORt command

### :ABORt Abort operation

**Description** When this action command is sent, the Model 2015 aborts operation and returns to the top of the Trigger Model. If continuous initiation is disabled, the instrument goes to the idle state. If continuous initiation is enabled, operation continues at the top of the trigger model.

The abort command resets the scan pointer back to the first channel in the scan list.

## :TRIGger commands

### :COUNT <n>

:TRIGger[:SEQuence[1]]:COUNT <n>

**Set measure count**

<b>Parameters</b>	<n> = 1 to 9999	Specify count
	INF	Sets count to infinite
	DEFault	Sets count to 1
	MINimum	Sets count to 1
	MAXimum	Sets count to 9999

<b>Query</b>	:COUNT?	Queries programmed count
	:COUNT? DEFault	Queries *RST default count
	:COUNT? MINimum	Queries lowest allowable count
	:COUNT? MAXimum	Queries largest allowable count

**Description** This command is used to specify how many times operation loops around in the trigger operation. For example, if the count is set to 10, operation continues to loop around until 10 device actions are performed. After the 10th action, operation proceeds back up to the start of the trigger model. Note that each loop places operation at the control source where it waits for the programmed event.

### :DELay <n>

:TRIGger[:SEQuence[1]]:DELay <n>

**Set trigger model delay**

<b>Parameters</b>	<n> = 0 to 999999.999	Specify delay in seconds
	DEFault	0 second delay
	MINimum	0 second delay
	MAXimum	999999.999 second delay

<b>Query</b>	:DELay?	Query the programmed delay
	:DELay? DEFault	Query the *RST default delay
	:DELay? MINimum	Query the lowest allowable delay
	:DELay? MAXimum	Query the largest allowable delay

**Description** The delay is used to delay operation of the trigger model. After the programmed event occurs, the instrument waits until the delay period expires before performing the Device Action in the Trigger Model.

The delay time can also be set by using the AUTO parameter. If AUTO is set to 1 or on, the delay period is enabled and will occur. If AUTO is set to 0 or off, the delay period is not enabled and no delay will occur.

**:SOURce <name>****:TRIGger[:SEQuence[1]]:SOURce <name>**                      **Specify measure event control source**

<b>Parameters</b>	<b>&lt;name&gt; =</b>	<b>IMMEDIATE</b>	Pass operation through immediately
		<b>EXTernal</b>	Select External Triggering as event
		<b>TIMer</b>	Select timer as event
		<b>MANual</b>	Select manual event
		<b>BUS</b>	Select bus trigger as event

**Query**                      :SOURce?                      Query programmed control source.

**Description**                      These commands are used to select the event control source. With IMMEDIATE selected (do not confuse :SOURce IMMEDIATE with :INITiate:IMMEDIATE), operation immediately starts.

A specific event can be used to control operation. With EXTernal selected, operation continues when an External Trigger is received.

With TIMer selected, the event occurs at the beginning of the timer interval, and every time it times out. For example, if the timer is programmed for a 30 second interval, the first pass through the control source occurs immediately. Subsequent scan events will then occur every 30 seconds. The interval for the timer is set using the :TIMer command.

With MANual selected, the event occurs when the TRIG key is pressed.

With BUS selected, the event occurs when a GET or \*TRG command is sent over the bus.

**:TIMer <n>****:TRIGger[:SEQuence[1]]:TIMer <n>**                      **Set interval for measure layer timer**

**Parameters**                      <n> = 0.001 to 999999.999 Specify timer interval in seconds

**Query**                      :TIMer?                      Query programmed timer interval

**Description**                      These commands are used to set the interval for the timer. Note that the timer is in effect only if the timer is the selected control source.

**:SIGNal****:TRIGger[:SEQuence[1]]:SIGNal**                      **Bypass measure control source**

**Description**                      This action command is used to bypass the specified control source when you do not wish to wait for the programmed event. Keep in mind that the instrument must be waiting for the appropriate event when the command is sent. Otherwise, an error occurs and this command is ignored.

**:SAMPle Command****:SAMPle:COUNT <NRf>****Set sample count**

Parameter &lt;NRf&gt; = 1 to 1024

Query :COUNT? Query the sample count

**Description** This command specifies the sample count. The sample count defines how many times operation loops around in the trigger model to perform a device action.

*NOTE* If sample count is >1, you cannot use the :READ? command if there are readings stored in the buffer.

**:UNIT subsystem**

The UNIT subsystem is used to configure and control the measurement units for TEMP, ACV, and DCV, and is summarized in [Table 5-12](#).

**:TEMPerature command****:TEMPerature <name>****:UNIT:TEMPerature <name>****Specify TEMP units**

Parameters <name> = C or CEL °C temperature units  
 F or FAR °F temperature units  
 K K temperature units

Query TEMPerature? Query temperature units

**Description** This command is used to specify the units for temperature measurements.

**:VOLTage commands****:AC <name>****:UNIT:VOLTage:AC <name>****Specify ACV units**

Parameters <name> = V AC voltage measurement units  
 DB dB AC voltage measurement units  
 DBM dBm AC voltage measurement units

Query :AC? Query AC voltage units

**Description** This command is used to select the units for ACV measurements. With volt (V) units selected, normal AC voltage measurements are made for the ACV function. With DB units selected, AC dB voltage measurements are performed. The DBM units selection is used to make decibel measurements referenced to 1mW. dB and dBm measurements are explained further in Section 2.

**:DB:REference <n>****:UNIT:VOLTage:AC:DB:REference <n>** Specify dBm reference**Parameter** <n> = 1e-7 to 1000 Specify reference in volts**Query** :REference?**Description** This command is used to specify the dB reference level. When DB units is selected (:VOLTage:AC: DB), ACV dB measurements are made using the specified dB reference level.

The reference level is specified in volts and is not range dependent. For example, a dB reference level of 1 is 1V on all ACV measurement ranges.

**:DBM:IMPedance <n>****:UNIT:VOLTage:AC:DBM:IMPedance <n>** Specify dB reference**Parameter** <n> = 1 to 9999 Specify reference impedance**Query** :IMPedance?**Description** This command is used to specify the dBm reference impedance level. When dBm units is selected ACV dBm measurements are made using the specified dBm reference impedance.

The reference impedance is specified in ohms and is not range dependent. For example, a dBm reference level of 600 is 600 on all ACV measurement ranges. A rational number is rounded to the nearest valid integer value.

**[:DC] <name>****:UNIT:VOLTage:DC <name>** Specify DCV units

<b>Parameters</b>	<name> =	V	DC voltage measurement units
		DB	dB DC voltage measurement units
		DBM	dBm DC voltage measurement units

**Query** [:DC]? Query DC voltage units**Description** This command is used to select the units for DCV measurements. With volt (V) units selected, normal DC voltage measurements are made for the DCV function. With DB units selected, DC dB voltage measurements are performed. The DBM units selection is used to make decibel measurements referenced to 1mW. dB and dBm measurements are explained further in Section 2.

**:DB:REference <n>****:UNIT:VOLTage[:DC]:DB:REference <n>** Specify dBm reference**Parameter** <n> = 1e-7 to 1000 Specify reference in volts**Query** :REference?

**Description** This command is used to specify the dB reference level. When DB units is selected (:VOLTage[:DC]:DB), DCV dB measurements are made using the specified dB reference level.

The reference level is specified in volts and is not range dependent. For example, a dB reference level of 1 is 1V on all DCV measurement ranges.

**:DBM:IMPedance <n>****:UNIT:VOLTage[:DC]:DBM:IMPedance <n>** Specify dB reference**Parameters** <n> = 1 to 9999 Specify reference impedance**Query** :IMPedance?

**Description** This command is used to specify the dBm reference impedance level. When dBm units is selected, DCV dBm measurements are made using the specified dBm reference impedance.

The reference impedance is specified in ohms and is not range dependent. For example, a dBm reference level of 600 is 600 on all DCV measurement ranges. A rational number is rounded to the nearest valid integer value.

**:DISTortion commands****:DISTortion <name>****:UNIT:DISTortion <name>** Specify distortion units

**Parameters** <name> = PERCent Percent distortion  
DB Decibels of distortion

**Query** :DISTortion? Query distortion units

**Description** This command selects the output format for the distortion calculation, either percent distortion or dB, where dB is the relative magnitude of the harmonics to the fundamental.





---

# A Specifications

# 2015 Total Harmonic Distortion Specifications

## DISTORTION CHARACTERISTICS

**VOLTAGE RANGE:** 100mV, 1V, 10V, 100V, 750V (user selectable).  
**INPUT IMPEDANCE:** 1M $\Omega$  paralleled by <100pF.  
**DISPLAY RANGE:** 0–100% or 0–100.00dB.  
**RESOLUTION:** 0.0001% or 0.00001dB.  
**FUNDAMENTAL FREQUENCY RANGE:** 20Hz–20kHz.  
**HARMONIC FREQUENCY RANGE:** 40Hz–50kHz.  
**FREQUENCY RESOLUTION:** 0.008Hz.  
**FREQUENCY ACCURACY:**  $\pm 0.01\%$  of reading.  
**FREQUENCY TEMPERATURE COEFFICIENT:**  $\leq 100$ ppm over operating temperature range.

MEASUREMENT MODE	ACCURACY (1 Year, 23°C $\pm 5^\circ$ C)	RESIDUAL DISTORTION <sup>1</sup>
THD and individual harmonic magnitudes	$\pm 0.8$ dB, 20Hz to 20kHz <sup>2</sup>	0.004% or –87dB 20Hz to 20kHz
THD + n	$\pm 1.5$ dB, 100Hz to 20kHz <sup>2</sup>	0.056% or –65dB 20Hz to 20kHz
SINAD	$\pm 1.5$ dB 100Hz to 20kHz <sup>2</sup>	+65dB 20Hz to 20kHz
AC Level V rms	$\pm (0.13\%$ of reading + 0.009% of range) 20Hz to 20kHz	

### Distortion Measurement Audio Filters

None	C-Message
CCITT Weighting	CCIR/ARM
CCIR	“A” Weighting

**NUMBER OF HARMONICS INCLUDED IN THD CALCULATION:** 2 to 64 (user selectable).

**HI AND LO CUTOFF FILTERS (bus settable):** 20Hz–50kHz. Can be combined to form brickwall bandpass filter.

### Distortion Measurement Reading Rate<sup>3</sup>

FUNDAMENTAL FREQUENCY ACQUISITION MODE	FUNDAMENTAL FREQUENCY RANGE	MINIMUM READINGS PER SECOND
Single acquisition or stored value	20 Hz to 100 Hz	14
	100 Hz to 1 kHz	24
	1 kHz to 20 kHz	28
Automatic	20 Hz to 30 Hz	5.5
	30 Hz to 400 Hz	6
	400 Hz to 20 kHz	6.6

### Frequency Sweep Reading Rate

NUMBER OF FREQUENCIES	TIME (seconds) <sup>4</sup>
5	0.2
30	1.1
100	3.5
200	6.9

#### Notes

- Input signal at full scale.
- $V_{IN} \geq 20\%$  of range and harmonics  $> -65$ dB.
- Speeds are for default operating conditions (\*RST), and display off, auto range off, binary data transfer, trig delay = 0.
- Typical times: frequencies in 400–4kHz range, binary data transfer, TRIG DELAY = 0, Display OFF, Auto Range OFF. Data returned is THD measurement plus AC voltage.

## GENERATOR CHARACTERISTICS

**FREQUENCY RANGE:** 10–20kHz.  
**FREQUENCY RESOLUTION:** 0.007Hz.  
**FREQUENCY ACCURACY:**  $\pm (0.015\%$  of reading + 0.007Hz)<sup>1</sup>.  
**FREQUENCY TEMPERATURE COEFFICIENT:** <100ppm over operating temperature range.  
**SOURCE OUTPUT:**  
**Waveform:** Sinewave.  
**Amplitude Range:** 2V rms (50 $\Omega$  and 600 $\Omega$ ) or 4V rms (HI Z).  
**Amplitude Resolution:** 0.5mV rms (50 $\Omega$  and 600 $\Omega$ ) or 1mV rms (HI Z).  
**Amplitude Accuracy:**  $\pm (0.3\%$  of setting + 2mV)<sup>1,4</sup>.  
**Amplitude Temperature Coefficient:** Typically 0.015%/°C.  
**Amplitude Flatness:**  $\pm 0.1$ dB<sup>1,4,5</sup>.  
**Output Impedance:** 50 $\Omega \pm 1\Omega$  or 600 $\Omega \pm 10\Omega$ , user selectable.  
**THD:** –64dB<sup>6</sup>.  
**Noise:** 100 $\mu$ V rms<sup>2</sup>.  
**DC Offset Voltage:**  $\pm 1.2$ mV<sup>1</sup>.

### INV/PULSE OUTPUT (SINEWAVE MODE):

**Frequency:** Same as source output.  
**Amplitude Range:** 2V rms (50 $\Omega$  and 600 $\Omega$ ) or 4V rms (HI Z).  
**Amplitude Resolution:** 0.5mV (50 $\Omega$  and 600 $\Omega$ ) or 1mV rms (HI Z).  
**Amplitude Accuracy:**  $\pm (2.0\%$  of setting + 2mV)<sup>1,4</sup>.  
**Amplitude Flatness:**  $\pm 0.1$ dB<sup>1,4,5</sup>.  
**Output Impedance:** Same as Source Output setting.  
**THD:** –64dB<sup>6</sup>.  
**Noise:** 100 $\mu$ V rms<sup>2</sup>.  
**DC Offset Voltage:**  $\pm 1.1$ mV typ.,  $\pm 13$ mV max.<sup>1</sup>

### INV/PULSE OUTPUT (PULSE MODE):

**Frequency:** Same as source output.  
**Duty Cycle:** 45%  $\pm 3\%$ .  
**Output Impedance:** Same output impedance as the source output.  
**Amplitude:** 0.0V  $\pm 0.07$ V to 4.9V  $\pm 0.12$ V pulse open circuit<sup>1,3</sup>.  
0.0V  $\pm 0.05$ V to 3.3V  $\pm 0.08$ V pulse 100 $\Omega$  load<sup>1,3</sup>.  
**Overshoot:** 1.0V maximum pulse open circuit<sup>3</sup>.  
0.2V maximum with 100 $\Omega$  load pulse open circuit<sup>3</sup>.  
**Undershoot:** 1.1V maximum pulse open circuit<sup>3</sup>.  
0.45V maximum with 100 $\Omega$  load pulse open circuit<sup>3</sup>.

#### Notes

- 1 year, 23°C  $\pm 5^\circ$ C.
- Measured at  $V_{OUT} = 0$ V with gain 100 amplifier and 2-pole 50kHz low pass filter. Inv/Pulse in sinewave mode, HI Z output impedance, and no load.
- With HI Z output impedance and 1m 50 $\Omega$  coaxial cable.
- HI Z output impedance, no load.
- 4V output.
- THD measurement includes harmonics 2 through 5, 1V rms output, HI Z, no load.

# 2015 Multimeter Specifications

## DC CHARACTERISTICS

CONDITIONS: MED (1 PLC) 1 OR SLOW (10 PLC) ACCURACY: ±(PPM OF READING + PPM OF RANGE)  
OR MED (1 PLC) WITH FILTER OF 10(PPM = PARTS PER MILLION) (E.G., 10PPM = 0.001%)

FUNCTION	RANGE	RESOLUTION	TEST CURRENT OR BURDEN		INPUT RESISTANCE	24 HOUR <sup>14</sup> 23°C ± 1°	90 DAY 23°C ± 5°	1 YEAR 23°C ± 5°	TEMPERATURE COEFFICIENT 0°-18°C & 28°-50°C
			VOLTAGE (±5%)	VOLTAGE					
VOLTAGE	100.0000 mV	0.1 μV			> 10 GΩ	30 + 30	40 + 35	50 + 35	2 + 6
	1.000000 V	1.0 μV			> 10 GΩ	15 + 6	25 + 7	30 + 7	2 + 1
	10.00000 V	10 μV			> 10 GΩ	15 + 4	20 + 5	30 + 5	2 + 1
	100.0000 V	100 μV			10 MΩ ±1%	15 + 6	30 + 6	45 + 6	5 + 1
	1000.000 V <sup>9</sup>	1 mV			10 MΩ ±1%	20 + 6	35 + 6	45 + 6	5 + 1
RESISTANCE <sup>15</sup>	100.0000 Ω	100 μΩ	1 mA			30 + 30	80 + 40	100 + 40	8 + 6
	1.000000 kΩ	1 mΩ	1 mA			20 + 6	80 + 10	100 + 10	8 + 1
	10.00000 kΩ	10 mΩ	100 μA			20 + 6	80 + 10	100 + 10	8 + 1
	100.00000 kΩ	100 mΩ	10 μA			20 + 6	80 + 10	100 + 10	8 + 1
	1.000000MΩ <sup>16</sup>	1 Ω	10 μA			20 + 6	80 + 10	100 + 10	8 + 1
	10.00000 MΩ <sup>11,16</sup>	10 Ω	700 nA	// 10MΩ		150 + 6	200 + 10	400 + 10	70 + 1
	100.00000 MΩ <sup>11,16</sup>	100 Ω	700 nA	// 10MΩ		800 + 30	1500 + 30	1500 + 30	385 + 1
CURRENT	10.00000 mA	10 nA	< 0.15 V			60 + 30	300 + 80	500 + 80	50 + 5
	100.0000 mA	100 nA	< 0.03 V			100 + 300	300 + 800	500 + 800	50 + 50
	1.000000 A	1 μA	< 0.3 V			200 + 30	500 + 80	800 + 80	50 + 5
	3.00000 A	10 μA	< 1 V			1000 + 15	1200 + 40	1200 + 40	50 + 5
CONTINUITY 2W	1 kΩ	100 mΩ	1 mA			40 + 100	100 + 100	120 + 100	8 + 1
DIODE TEST	3.00000 V	10 μV	1 mA			20 + 6	30 + 7	40 + 7	8 + 1
	10.00000 V	10 μV	100 μA			20 + 6	30 + 7	40 + 7	8 + 1
	10.00000 V	10 μV	10 μA			20 + 6	30 + 7	40 + 7	8 + 1

## DC OPERATING CHARACTERISTICS<sup>2</sup>

FUNCTION	DIGITS	READINGS/s	PLCs <sup>8</sup>
DCV (all ranges),	6½ <sup>3,4</sup>	5	10
DCI (all ranges), and	6½ <sup>3,7</sup>	30	1
2W Ohms (<10M range)	6½ <sup>3,5</sup>	50	1
	5½ <sup>3,5</sup>	270	0.1
	5½ <sup>5</sup>	500	0.1
	5½ <sup>5</sup>	1000	0.04
	4½ <sup>5</sup>	2000	0.01

## DC SYSTEM SPEEDS<sup>2,6</sup>

RANGE CHANGE<sup>3</sup>: 50 / s.

FUNCTION CHANGE<sup>3</sup>: 45 / s.

AUTORANGE TIME<sup>3,10</sup>: <30 ms.

ASCII READINGS TO RS-232 (19.2K BAUD): 55 / s.

MAX. INTERNAL TRIGGER RATE: 2000 / s.

MAX. EXTERNAL TRIGGER RATE: 400 / s.

## DC GENERAL

LINEARITY OF 10VDC RANGE: ±(2ppm of reading + 1ppm of range).

DCV, Ω, TEMPERATURE, CONTINUITY, DIODE TEST INPUT PROTECTION: 1000V, all ranges.

MAXIMUM 4WΩ LEAD RESISTANCE: 10% of range per lead for 100Ω and 1kΩ ranges; 1kΩ per lead for all other ranges.

DC CURRENT INPUT PROTECTION: 3A, 250V fuse.

SHUNT RESISTOR: 0.1Ω for 3A, 1A and 100mA ranges. 10Ω for 10mA range.

CONTINUITY THRESHOLD: Adjustable 1Ω to 1000Ω.

AUTOZERO OFF ERROR: Add ±(2ppm of range error + 5μV) for <10 minutes and ±1°C change.

OVERRANGE: 120% of range except on 1000V, 3A and Diode.

## SPEED AND NOISE REJECTION

RATE	READINGS/S	DIGITS	RMS NOISE		
			10V RANGE	NMRR <sup>12</sup>	CMRR <sup>13</sup>
10 PLC	5	6½	< 1.5 μV	60 dB	140 dB
1 PLC	50	6½	< 4 μV	60 dB	140 dB
0.1 PLC	500	5½	< 22 μV	—	80 dB
0.01 PLC	2000	4½	< 150 μV	—	80 dB

## DC Notes

- Add the following to ppm of range accuracy specification based on range: 1V and 100V, 2ppm; 100mV, 15ppm; 100Ω, 15ppm; <1MΩ, 2ppm; 10mA and 1A, 10ppm; 100mA, 40ppm.
- Speeds are for 60 Hz operation using factory default operating conditions (\*RST). Autorange off, Display off, Trigger delay = 0.
- Speeds include measurement and binary data transfer out the GPIB.
- Auto zero off.
- Sample count = 1024, auto zero off.
- Auto zero off, NPLC = 0.01.
- Ohms = 24 readings/second.
- 1 PLC = 16.67ms @ 60Hz, 20ms @ 50Hz/400Hz. The frequency is automatically determined at power up.
- For signal levels >500V, add 0.02ppm/V uncertainty for the portion exceeding 500V.
- Add 120ms for ohms.
- Must have 10% matching of lead resistance in Input HI and LO.
- For line frequency ±0.1%.
- For 1kΩ unbalance in LO lead.
- Relative to calibration accuracy.
- Specifications are for 4-wire ohms. For 2-wire ohms, add 1Ω additional uncertainty.
- For rear inputs. Add the following to temperature Coefficient 'ppm of reading' uncertainty; 10MΩ 70ppm, 100MΩ 385ppm. Operating environment specified for 0°C to 50°C, 50% RH at 35°C.

# 2015 Multimeter Specifications

## TRUE RMS AC VOLTAGE AND CURRENT CHARACTERISTICS

ACCURACY<sup>1</sup>: ±(% of reading + % of range), 23°C ±5 °C

VOLTAGE RANGE	RESOLUTION	CALIBRATION CYCLE	3 Hz–10 Hz <sup>10</sup>	10 Hz–20 kHz	20 kHz–50 kHz	50 kHz–100 kHz	100 kHz–300 kHz
100.0000 mV	0.1 µV						
1.000000 V	1.0 µV	90 Days	0.35 + 0.03	0.05 + 0.03	0.11 + 0.05	0.60 + 0.08	4 + 0.5
10.00000 V	10 µV						
100.0000 V	100 µV	1 Year	0.35 + 0.03	0.06 + 0.03	0.12 + 0.05	0.60 + 0.08	4 + 0.5
750.000 V	1 mV						
TEMPERATURE COEFFICIENT/°C <sup>8</sup>			0.035 + 0.003	0.005 + 0.003	0.006 + 0.005	0.01 + 0.006	0.03 + 0.01

CURRENT RANGE	RESOLUTION	CALIBRATION CYCLE	3 Hz–10 Hz	10 Hz–3 kHz	3 kHz–5 kHz
1.000000 A	1 µA	90 Day/1 Year	0.30 + 0.04	0.10 + 0.04	0.14 + 0.04
3.00000 A <sup>9</sup>	10 µA	90 Day/1 Year	0.35 + 0.06	0.15 + 0.06	0.18 + 0.06
TEMPERATURE COEFFICIENT/°C <sup>8</sup>			0.035 + 0.006	0.015 + 0.006	0.015 + 0.006

## HIGH CREST FACTOR ADDITIONAL ERROR ±(% of reading)<sup>7</sup>

CREST FACTOR:	1–2	2–3	3–4	4–5
ADDITIONAL ERROR:	0.05	0.15	0.30	0.40

## AC OPERATING CHARACTERISTICS<sup>2</sup>

FUNCTION	DIGITS	READINGS/s	RATE	BANDWIDTH
ACV (all ranges), and	6½ <sup>3</sup>	2s/reading	SLOW	3 Hz–300 kHz
ACI (all ranges)	6½ <sup>3</sup>	1.4	MED	30 Hz–300 kHz
	6½ <sup>4</sup>	4.8	MED	30 Hz–300 kHz
	6½ <sup>3</sup>	2.2	FAST	300 Hz–300 kHz
	6½ <sup>4</sup>	35	FAST	300 Hz–300 kHz

## ADDITIONAL LOW FREQUENCY ERRORS ±(% of reading)

	SLOW	MED	FAST
20Hz – 30Hz	0	0.3	—
30Hz – 50Hz	0	0	—
50Hz – 100Hz	0	0	1.0
100Hz – 200Hz	0	0	0.18
200Hz – 300Hz	0	0	0.10
> 300Hz	0	0	0

## AC SYSTEM SPEEDS<sup>2,5</sup>

FUNCTION/RANGE CHANGE<sup>6</sup>: 4 / s.  
 AUTORANGE TIME: <3 s.  
 ASCII READINGS TO RS-232 (19.2K BAUD)<sup>4</sup>: 50 / s.  
 MAX. INTERNAL TRIGGER RATE<sup>4</sup>: 300 / s.  
 MAX. EXTERNAL TRIGGER RATE<sup>4</sup>: 260 / s.

## AC GENERAL

INPUT IMPEDANCE: 1MΩ ±2% paralleled by <100pF.  
 ACV INPUT PROTECTION: 1000Vp.  
 MAXIMUM DCV: 400V on any ACV range.  
 ACI INPUT PROTECTION: 3A, 250V fuse.  
 BURDEN VOLTAGE: 1A Range: <0.3V rms. 3A Range: <1V rms.  
 SHUNT RESISTOR: 0.1Ω on all ACI ranges.  
 AC CMRR: >70dB with 1kΩ in LO lead.  
 MAXIMUM CREST FACTOR: 5 at full scale.  
 VOLT HERTZ PRODUCT: ≤8 × 10<sup>7</sup> V·Hz.  
 OVERRANGE: 120% of range except on 750V and 3A ranges.

## AC Notes

- Specifications are for SLOW rate and sinewave inputs >5% of range.
- Speeds are for 60 Hz operation using factory default operating conditions ("RST"). Auto zero off, Auto range off, Display off, includes measurement and binary data transfer out the GPIB.
- 0.01% of step settling error. Trigger delay = 400ms.
- Trigger delay = 0.
- DETECTOR: BANDwidth 300, NPLC = 0.01.
- Maximum useful limit with trigger delay = 175ms.
- Applies to non-sine waves >5Hz and <500Hz. (Guaranteed by design for Crest Factors >4.3)
- Applies to 0°–18°C and 28°–50°C.
- For signal levels >2.2A, add additional 0.4% to "of reading" uncertainty.
- Typical uncertainties. Typical represents two sigma or 95% of manufactured units measure < 0.35% of reading and three sigma or 99.7% < 1.06% of reading.

# 2015 Multimeter Specifications

## TRIGGERING AND MEMORY

READING HOLD SENSITIVITY: 0.01%, 0.1%, 1%, or 10% of reading.

TRIGGER DELAY: 0 to 99 hrs (1ms step size).

EXTERNAL TRIGGER LATENCY: 200 $\mu$ s + <300 $\mu$ s jitter with autozero off, trigger delay = 0.

MEMORY: 1024 readings.

## MATH FUNCTIONS

Rel, Min/Max/Average/StdDev (of stored reading), dB, dBm, Limit Test, %, and mX+b with user defined units displayed.

**dBm REFERENCE RESISTANCES:** 1 to 9999 $\Omega$  in 1 $\Omega$  increments.

## STANDARD PROGRAMMING LANGUAGES

SCPI (Standard Commands for Programmable Instruments)

## REMOTE INTERFACE

GPIOB (IEEE-488.1, IEEE-488.2) and RS-232C.

## FREQUENCY AND PERIOD CHARACTERISTICS<sup>1,2</sup>

ACV RANGE	FREQUENCY RANGE	PERIOD RANGE	GATE TIME	RESOLUTION $\pm$ (ppm of reading)	ACCURACY 90 DAY/1 YEAR $\pm$ (% of reading)
100 mV	3 Hz	333 ms	1 s (SLOW)	0.333	0.01
to	to	to	0.1 s (MED)	3.33	0.01
750 V	500 kHz	2 $\mu$ s	10 ms (FAST)	33.3	0.01

### Frequency Notes

- Specifications are for square wave inputs only. Input signal must be >10% of ACV range. If input is <20mV on the 100mV range then the frequency must be >10Hz.
- 20% overrange on all ranges except 750V range.

## TEMPERATURE CHARACTERISTICS

THERMOCOUPLE<sup>2,3,4</sup>

90 DAY/1 YEAR (23°C  $\pm$  5°C)

ACCURACY<sup>1</sup>

Relative to

Reference Junction

TYPE	RANGE	RESOLUTION	ACCURACY
J	-200 to + 760°C	0.001°C	$\pm$ 0.5°C
K	-200 to +1372°C	0.001°C	$\pm$ 0.5°C
T	-200 to + 400°C	0.001°C	$\pm$ 0.5°C

### Temperature Notes

- For temperatures <-100°C, add  $\pm$ 0.1°C and >900°C add  $\pm$ 0.3°C.
- Temperature can be displayed in °C, K or °F.
- Accuracy based on ITS-90.
- Exclusive of thermocouple error.

## GENERAL SPECIFICATIONS

POWER SUPPLY: 100V / 120V / 220V / 240V.

LINE FREQUENCY: 50Hz to 60Hz and 400Hz, automatically sensed at power-up.

POWER CONSUMPTION: 40 VA.

OPERATING ENVIRONMENT: Specified for 0°C to 50°C. Specified to 80% R.H. at 35°C. RH at 35°C and at an altitude of up to 2,000 meters.

STORAGE ENVIRONMENT: -40°C to 70°C.

WARRANTY: 3 years.

SAFETY: Conforms to European Union Directive 73/23/EEC EN61010-1.

EMC: Complies with European Union Directive 89/336/EEC, EN61326-1.

VIBRATION: MIL-PRF-28800F Class 3 Random.

WARMUP: 1 hour to rated accuracy.

DIMENSIONS: **Rack Mounting:** 89mm high  $\times$  213mm wide  $\times$  370mm deep (3½ in  $\times$  8½ in  $\times$  14½ in).

**Bench Configuration (with handle and feet):** 104mm high  $\times$  238mm wide  $\times$  370mm deep (4¼ in  $\times$  9¼ in  $\times$  14½ in).

NET WEIGHT: 4.2kg (8.8 lbs).

SHIPPING WEIGHT: 5kg (11 lbs).

VOLT HERTZ PRODUCT:  $\leq$ 8  $\times$  10<sup>7</sup>V-Hz.

ACCESSORIES SUPPLIED: Model 1751 Safety Test Leads, User Manual, Service Manual.

Specifications are subject to change without notice.

## Accuracy calculations

The information below discusses how to calculate accuracy for both DC and AC characteristics.

### Calculating DC characteristics accuracy

DC characteristics accuracy is calculated as follows:

$$\text{Accuracy} = \pm(\text{ppm of reading} + \text{ppm of range})$$

(ppm = parts per million, and 10ppm = 0.001%)

As an example of how to calculate the actual reading limits, assume that you are measuring 5V on the 10V range. You can compute the reading limit range from one-year DCV accuracy specifications as follows:

$$\begin{aligned}\text{Accuracy} &= \pm(30\text{ppm of reading} + 5\text{ppm of range}) \\ &\pm[(30\text{ppm} \times 5\text{V}) + (5\text{ppm} \times 10\text{V})] \\ &\pm(150\mu\text{V} + 50\mu\text{V}) \\ &\pm 200\mu\text{V}\end{aligned}$$

Thus, the actual reading range is:  $5\text{V} \pm 200\mu\text{V}$ , or from 4.9998V to 5.0002V

DC current and resistance calculations are performed in exactly the same manner using the pertinent specifications, ranges, and input signal values.

### Calculating AC characteristics accuracy

AC characteristics accuracy is calculated similarly, except that AC specifications are given as follows:

$$\text{Accuracy} = \pm(\% \text{ of reading} + \% \text{ of range})$$

As an example of how to calculate the actual reading limits, assume that you are measuring 120V, 60Hz on the 750V range. You can compute the reading limit range from ACV one-year accuracy specifications as follows:

$$\begin{aligned}\text{Accuracy} &= \pm(0.06\% \text{ of reading} + 0.03\% \text{ of range}) \\ &\pm[(0.0006 \times 120\text{V}) + (0.0003 \times 750\text{V})] \\ &\pm(0.072\text{V} + 0.225\text{V}) \\ &\pm 0.297\text{V}\end{aligned}$$

In this case, the actual reading range is:  $120\text{V} \pm 0.297\text{V}$ , or from 119.703V to 120.297V

AC current calculations are performed in exactly the same manner using the pertinent specifications, ranges, and input signal values.

## Calculating dBm characteristics accuracy

As an example of how to calculate the actual reading limits for a 13dBm measurement with a reference impedance of  $50\Omega$ , assume an applied signal 0.998815V. The relationship between voltage and dBm is as follows:

$$\text{dBm} = 10 \log \frac{V_{\text{IN}}^2 / R_{\text{REF}}}{1\text{mW}}$$

From the previous example on calculating DC characteristics accuracy, it can be shown that 0.998815V has an uncertainty of  $\pm 36.96445\mu\text{V}$ , or 0.998778V to 0.998852V, using one-year specifications of the 1VDC range.

Expressing 0.998778V as dBm:

$$\text{dBm} = 10 \log \frac{(0.998778\text{V})^2 / 50\Omega}{1\text{mW}} = 13.00032\text{dBm}$$

and expressing 0.998852V as dBm:

$$\text{dBm} = 10 \log \frac{(0.998852\text{V})^2 / 50\Omega}{1\text{mW}} = 13.00032\text{dBm}$$

Thus, the actual reading range is 13dBm  $\pm$  0.00032dBm.

dBm and dB for other voltage inputs can be calculated in exactly the same manner using pertinent specifications, ranges, and reference impedances.



## Calculating dB characteristics accuracy

The relationship between voltage and dB is as follows:

$$\text{dB} = 20 \log \frac{V_{\text{IN}}}{V_{\text{REF}}}$$

As an example of how to calculate the actual readings limits for dB, with a user-defined  $V_{\text{REF}}$  of 10V, you must calculate the voltage accuracy and apply it to above equation.

To calculate a -60dB measurement, assume 10mVRMS for a  $V_{\text{REF}}$  of 10V. Using the 100mV range, one-year, 10Hz - 20kHz frequency band, and SLOW rate, the voltage limits are as follows:

$$\begin{aligned} \text{Accuracy} = & \pm[(0.06\% \text{ of reading}) + (0.03\% \text{ of range})] \\ & \pm[(0.006 \times 10\text{mV}) + (0.0003 \times 100\text{mV})] \\ & \pm[6\mu\text{V} + 30\mu\text{V}] \\ & \pm 36\mu\text{V} \end{aligned}$$

Thus, the actual reading accuracy is  $10\text{mV} \pm 36\mu\text{V}$  or 10.036mV to 9.964mV. Applying the voltage reading accuracy into the dB equation yields:

$$\text{dBm} = 20 \log \frac{10.036\text{mV}}{10\text{V}} = -59.96879\text{dB}$$

$$\text{dBm} = 20 \log \frac{9.964\text{mV}}{10\text{V}} = -60.03133\text{dB}$$

Thus, the actual reading accuracy is -60dB + 0.031213dB to -60dB - 0.031326dB.

dBm and dB for other voltage inputs can be calculated in exactly the same manner using pertinent specifications, ranges, and other reference voltages.

## Additional derating factors

In some cases, additional derating factors must be applied to calculate certain accuracy values. For example, an additional derating factor must be added for DC voltages over 500V. Before calculating accuracy, study the associated specification notes carefully to see if any derating factors apply.

## Optimizing measurement accuracy

The configurations listed below assume that the multimeter has had factory setups restored.

### DC voltage, DC current, and resistance:

- Select 6½ digits, 10 PLC, filter ON (up to 100 readings), fixed range.
- Use REL on DC voltage and 2-wire resistance measurements.
- Use 4-wire resistance measurements for best accuracy.

### AC voltage and AC current:

- Select 6½ digits, 10 PLC, filter ON (up to 100 readings), fixed range.

### Temperature:

- Select 6½ digits, 10 PLC, filter ON (up to 100 readings).

### Distortion

- Select 6½ digits, filter ON (up to 100 readings), distortion frequency AUTO, autorange ON.

## Optimizing measurement speed

The configurations listed below assume that the multimeter has had factory setups restored.

### DC voltage, DC current, and resistance:

- Select 3½ digits, 0.01 PLC, filter OFF, fixed range.

### AC voltage and AC current:

- Select 3½ digits, 0.01 PLC, filter OFF, fixed range.

### Temperature:

- Select 3½ digits, 0.01 PLC, filter OFF.

For all functions, turn off the display and autozero and set the trigger delay to zero. Use the :SAMPLE:COUNT and READ? bus commands.

### Distortion

- Select frequency ACQUIRE or SET, filter OFF, distortion shaping filter NONE, autorange OFF.



---

# **B** Status and Error Messages

**Table B-1**  
*Status and error messages*

<b>Number</b>	<b>Description</b>	<b>Event</b>
-440	Query unterminated after indefinite response	EE
-430	Query deadlocked	EE
-420	Query unterminated	EE
-410	Query interrupted	EE
-363	Input buffer overrun	SYS
-350	Queue overflow	SYS
-330	Self-test failed	EE
-314	Save/recall memory lost	EE
-315	Configuration memory lost	EE
-285	Program syntax error	EE
-284	Program currently running	EE
-282	Illegal program name	EE
-281	Cannot create program	EE
-260	Expression error	EE
-241	Hardware missing	EE
-230	Data corrupt or stale	EE
-225	Out of memory	EE
-224	Illegal parameter value	EE
-223	Too much data	EE
-222	Parameter data out of range	EE
-221	Settings conflict	EE
-220	Parameter error	EE
-215	Arm deadlock	EE
-214	Trigger deadlock	EE
-213	Init ignored	EE
-212	Arm ignored	EE
-211	Trigger ignored	EE
-210	Trigger error	EE
-202	Settings lost due to rtl	EE
-201	Invalid while in local	EE
-200	Execution error	EE
-178	Expression data not allowed	EE
-171	Invalid expression	EE
-170	Expression error	EE
-168	Block data not allowed	EE
-161	Invalid block data	EE
-160	Block data error	EE
-158	String data not allowed	EE
-154	String too long	EE
-151	Invalid string data	EE
-150	String data error	EE

**Table B-1 (cont.)**  
*Status and error messages*

<b>Number</b>	<b>Description</b>	<b>Event</b>
-148	Character data not allowed	EE
-144	Character data too long	EE
-141	Invalid character data	EE
-140	Character data error	EE
-128	Numeric data not allowed	EE
-124	Too many digits	EE
-123	Exponent too large	EE
-121	Invalid character in number	EE
-120	Numeric data error	EE
-114	Header suffix out of range	EE
-113	Undefined header	EE
-112	Program mnemonic too long	EE
-111	Header separator error	EE
-110	Command header error	EE
-109	Missing parameter	EE
-108	Parameter not allowed	EE
-105	GET not allowed	EE
-104	Data type error	EE
-103	Invalid separator	EE
-102	Syntax error	EE
-101	Invalid character	EE
-100	Command error	EE
+000	No error	SE
+101	Operation complete	SE
+121	Device calibrating	SE
+122	Device settling	SE
+123	Device ranging	SE
+124	Device sweeping	SE
+125	Device measuring	SE
+126	Device calculating	SE
+161	Program running	SE
+171	Waiting in trigger layer	SE
+174	Re-entering the idle layer	SE
+301	Reading overflow	SE
+302	Low limit 1 event	SE
+303	High limit 1 event	SE
+304	Low limit 2 event	SE
+305	High limit 2 event	SE
+306	Reading available	SE
+307	Voltmeter complete	SE

**Table B-1 (cont.)**  
*Status and error messages*

Number	Description	Event
+308	Buffer available	SE
+309	Buffer half full	SE
+310	Buffer full	SE
+311	Buffer overflow	SE
+312	Reading underflow	SE
+313	Distortion frequency overflow	SE
+314	Distortion frequency underflow	SE
+315	Distortion shaping filter error	SE
	Calibration messages:	
+400	10 vdc zero error	EE
+401	100 vdc zero error	EE
+402	10 vdc full scale error	EE
+403	-10 vdc full scale error	EE
+404	100 vdc full scale error	EE
+405	-100 vdc full scale error	EE
+406	1k 2-w zero error	EE
+407	10k 2-w zero error	EE
+408	100k 2-w zero error	EE
+409	10M 2-w zero error	EE
+410	10M 2-w full scale error	EE
+411	10M 2-w open error	EE
+412	1k 4-w zero error	EE
+413	10k 4-w zero error	EE
+414	100k 4-w zero error	EE
+415	10M 4-w sense lo zero error	EE
+416	1k 4-w full scale error	EE
+417	10k 4-w full scale error	EE
+418	100k 4-w full scale error	EE
+419	1M 4-w full scale error	EE
+420	10M 4-w full scale error	EE
+421	10m adc zero error	EE
+422	100m adc zero error	EE
+423	10m adc full scale error	EE
+424	100m adc full scale error	EE
+425	1 adc full scale error	EE
+438	Date of calibration not set	EE
+439	Next date of calibration not set	EE
+450	100m vac dac error	EE
+451	1 vac dac error	EE
+452	10 vac dac error	EE
+453	100 vac dac error	EE
+454	100m vac zero error	EE

**Table B-1 (cont.)**  
*Status and error messages*

Number	Description	Event
+455	100m vac full scale error	EE
+456	1 vac zero error	EE
+457	1 vac full scale error	EE
+458	1 vac noise error	EE
+459	10 vac zero error	EE
+460	10 vac full scale error	EE
+461	10 vac noise error	EE
+462	100 vac zero error	EE
+463	100 vac full scale error	EE
+464	750 vac zero error	EE
+465	750 vac full scale error	EE
+466	750 vac noise error	EE
+467	Post filter offset error	EE
+468	1 aac zero error	EE
+469	1 aac full scale error	EE
+470	3 aac zero error	EE
+471	3 aac full scale error	EE
+472	1V Hz amplitude error	EE
+473	Frequency gain error	EE
+480	Function generator full-scale error	EE
+481	Function generator DC offset error	EE
+482	Function generator frequency gain error	EE
+485	1 vac distortion gain error	EE
+499	1V 10Hz frequency error	EE
+500	Calibration data invalid	EE
+510	Reading buffer data lost	EE
+511	GPIB address lost	EE
+512	Power-on state lost	EE
+513	AC calibration data lost	EE
+514	DC calibration data lost	EE
+515	Calibration dates lost	EE
+516	Function generator calibration data lost	EE
+517	Distortion calibration data lost	EE
+522	GPIB communication language lost	EE
+610	Questionable Calibration	SE
+611	Questionable Temperature	SE



**Table B-1 (cont.)**  
*Status and error messages*

Number	Description	Event
+800	RS-232 Framing Error detected	EE
+802	RS-232 Overrun detected	EE
+803	RS-232 Break detected	EE
+805	Invalid system communication	EE
+806	RS-232 Settings Lost	EE
+807	RS-232 OFLO: Characters Lost	EE
+808	ASCII only with RS-232	EE
+810	Not permitted with output off	EE
+811	Not permitted in LIST mode	EE
+812	Not permitted in Auto range	EE
+900	Internal System Error	EE

EE = error event

SE = status event

SYS = system error event

**NOTE:** *SCPI-confirmed messages are described in Volume 2: Command Reference of the Standard Commands for Programmable Instruments. Refer to the :SYSTEM:ERROR? command.*

---

# C Example Programs

## Program examples

All examples presume QuickBASIC version 4.5 or higher and a CEC IEEE-488 interface card with CEC driver version 2.11 or higher, with the Model 2015 at address 16 on the IEEE-488 bus.

### Changing function and range

The Model 2015 has independent controls for each of its measurement functions. This means, for example, that autorange can be turned on for DC voltage while leaving it off for AC voltage.

Another difference is in the parameter to the range command. In other instruments, a single number was used to denote each range. The parameter of the SCPI `RANGE` command is given as "the maximum value to measure." The instrument interprets this parameter and goes to the appropriate range. When you query the range with `RANGE?` the instrument sends back the full-scale value of its present range.

The following example program illustrates changing function and range. It sets the range for several functions, then takes readings on each of those functions.

Note that the Model 2015 rounds the range parameter to an integer before choosing the appropriate range. Sending `VOLTage:DC:RANGE 20.45` will set the Model 2015 to the 100V range.

---

```
'Example program to demonstrate changing function and range,
'taking readings on various functions
'For QuickBASIC 4.5 and CEC PC488 interface card

'Edit the following line to where the QuickBASIC
'libraries are on your computer
'$INCLUDE: 'c:\qb45\ieeeqb.bi'

'Initialize the CEC interface as address 21
CALL initialize(21, 0)

'Reset the SENSE1 subsystem settings, along with the trigger
'model, each READ? will cause one trigger
CALL SEND(16, "*rst", status%)

'Set range for each function to measure
CALL SEND(16, "volt:dc:rang .1", status%)
CALL SEND(16, "volt:ac:rang 20", status%)
CALL SEND(16, "res:rang 80", status%)

'Switch to DC volts and take reading
CALL SEND(16, "func 'volt:dc';:read?", status%)
reading$ = SPACE$(80)
CALL ENTER(reading$, length%, 16, status%)
PRINT reading$

'Switch to AC volts and take reading
CALL SEND(16, "func 'volt:ac';:read?", status%)
reading$ = SPACE$(80)
CALL ENTER(reading$, length%, 16, status%)
PRINT reading$

'Switch to 2-wire ohms and take reading
CALL SEND(16, "func 'res';:read?", status%)
reading$ = SPACE$(80)
CALL ENTER(reading$, length%, 16, status%)
PRINT reading$
```

## One-shot triggering

Other DMMs generally have two types of triggering: one-shot and continuous. In one-shot, each activation of the selected trigger source causes one reading. In continuous, the DMM is idle until the trigger source is activated, at which time it begins taking readings at a specified rate. Typical trigger sources are:

- IEEE-488 talk
- IEEE-488 Group Execute Trigger (GET)
- “X” command
- External trigger (rear panel BNC)

Arming the instrument to respond to triggers is implicit in the non-SCPI DMMs. Simply sending a command to a non-SCPI DMM to change any of the trigger controls causes the instrument to arm itself for triggers.

The SCPI trigger model implemented in the Model 2015 gives you:

- Explicit control over the trigger source (the TRIGger subsystem).
- A way for completely disabling triggers.

Changing any of the settings in the TRIGger subsystem does not automatically arm the Model 2015 for triggers.

The following program sets up the Model 2015 to take one reading each time it receives an external trigger pulse.

```
'Example program to demonstrate one-shot external triggering
'For QuickBASIC 4.5 and CEC PC488 interface card

'Edit the following line to where the QuickBASIC
'libraries are on your computer
'$INCLUDE: 'c:\qb45\ieeegb.bi'

'Initialize the CEC interface as address 21
CALL initialize(21, 0)

'Reset controls and put trigger model in IDLE state
CALL SEND(16, "*rst", status%)

CALL SEND(16, "trig:sour ext;coun inf", status%)

'start everything
CALL SEND(16, "init", status%)
```

After the Model 2015 receives the INITiate command, it stops at the control source in the trigger model, waiting for a trigger pulse. Each time a pulse arrives at the Trigger Link connector, the Model 2015 takes one reading. Because TRIGger:COUNT has been set to INFinity, the instrument never enters the idle state. You can send the ABORT command to put the instrument in the idle state, disabling triggers until another INITiate command is sent.

## Generating SRQ on buffer full

When your program must wait until the Model 2015 has completed an operation, it is more efficient to program the 2015 to assert the IEEE-488 SRQ line when it is finished, rather than repeatedly serial polling the instrument. An IEEE-488 controller will typically address the instrument to talk, then unaddress it, each time it performs a serial poll. Repeated polling of the Model 2015 will generally reduce its overall reading throughput. Therefore, use the `srq%` () function call.

The Model 2015 provides a status bit for nearly every operation it performs. It can be programmed to assert the IEEE-488 SRQ line whenever a status bit becomes true or false. The IEEE-488 controller (your computer) can examine the state of the SRQ line without performing a serial poll, thereby detecting when the 2015 has completed its task without interrupting it in the process.

The following example program segment sets up the Model 2015 to assert SRQ when the reading buffer has completely filled, then arms the reading buffer, initiates readings, and waits for the Model 2015 to indicate that the buffer is full.

This is not a complete program. Not shown are the commands to configure the trigger model and the reading buffer (see the next example). The example shown here can be modified for any event in the Model 2015 status reporting system.

```
'Reset STATus subsystem (not affected by *RST)
CALL SEND(16, "stat:pres;*cls", status%)

CALL SEND(16, "stat:meas:enab 512", status%)'enable BFL
CALL SEND(16, "*sre 1" status%)'enable MSB
CALL SEND(16, "trac:feed:cont next", status%)

' Start everything
CALL SEND(16, "init", status%)

WaitSRQ:
IF (NOT(srq%)) THEN GOTO WaitSRQ
CALL SPOLL(16, poll%, status%)
IF (poll% AND 64)=0 THEN GOTO WaitSRQ
```

Notice that after the program has detected an asserted SRQ line, it serial polls the Model 2015 to determine if it is the device requesting service. This is necessary for two reasons:

- Serial polling the Model 2015 causes it to quit asserting the SRQ line.
- In test systems that have more than one IEEE-488 instrument programmed to assert SRQ, your program must determine which instrument is actually requesting service.

Once an event register has caused a service request, it cannot cause another service request until you clear it by reading it (in this case using `STATus:MEASurement[:EVENT]?`) or by sending the `*CLS` command.

## Storing readings in buffer

The reading buffer in the Model 2015 is flexible and capable. It has three controls, which are found in the TRACe subsystem. There are commands to control:

- The size of the buffer (in readings).  
TRACe:POINts <Nrf>
- Where the data is coming from (before or after the CALCulate1 math post-processing).  
TRACe:FEED SENSE1                   store unprocessed readings  
TRACe:FEED CALCulate1               store math processed readings
- Select buffer control mode.  
TRACe:FEED:CONTRol NEVER           immediately stop storing readings  
TRACe:FEED:CONTRol NEXT            start now, stop when buffer is full

The following example program sets up the Model 2015 to take 20 readings as fast as it can into the buffer, then reads the data back after the buffer has filled.

```
'Example program to demonstrate the reading buffer
'For QuickBASIC 4.5 and CEC PC488 interface card

'Edit the following line to where the QuickBASIC
'libraries are on your computer
'$INCLUDE: 'c:\qb45\ieeqb.bi'

'Initialize the CEC interface as address 21
CALL initialize(21, 0)

'Reset controls and put trigger model in IDLE state
CALL SEND(16, "*rst", status%)

'Reset STATUS subsystem (not affected by *RST)
CALL SEND(16, "stat:pres;*cls", status%)
CALL SEND(16, "stat:meas:enab 512", status%) 'enable BFL
CALL SEND(16, "*sre 1", status%) 'enable MSB
CALL SEND(16, "trig:coun 20", status%)

'TRACe subsystem is not affected by *RST
CALL SEND(16, "trac:poin 20", status%)
CALL SEND(16, "trac:feed sens1;feed:cont next", status%)

'Start everything
CALL SEND(16, "init", status%)

'Initialize reading$ while the 2015 is busy taking readings
reading$ = SPACE$(4000)

WaitSRQ:
IF (NOT(srq%)) THEN GOTO WaitSRQ
CALL SPOLL(16, poll%, status%)
IF (poll% AND 64)=0 THEN GOTO WaitSRQ

CALL SEND(16, "stat:meas?", status%)
CALL ENTER(S$, length%, 16, status%)

CALL SEND(16, "form:elem read,unit" status%)
CALL SEND(16, "trac:data?", status%)
CALL ENTER(reading$, length%, 16, status%)
PRINT reading$
```

**NOTE** To repeat buffer storage, send the following command and then repeat the steps following the 'Start everything comment in the above example.

```
CALL SEND(16, "feed:cont next", status%)
```



## Taking readings using the :READ? command

This programming example demonstrates a simple method to take and display (on the computer CRT) a specified number of readings. The number of readings are specified by the :SAMPLE:COUNt command. When :READ? is asserted, the specified number of readings are taken. After all the readings are taken, they are sent to the computer. Note that these readings are also stored in the buffer.

The following program takes 10 readings on the DCV function and displays them on the computer CRT.

```
` For QuickBASIC 4.5 and CEC PC488 interface card
` edit the following line to where the QuickBASIC libraries are
` on your computer
` $INCLUDE: `c:\qb45\ieeeqb.bi

` Initialize the CEC interface as address 21
CALL initialize(21, 0)

` Reset controls, clear buffer and place 2015 in idle
CALL SEND(16, "*rst", status%)
CALL SEND(16, "trac:cle", status%)

CALL SEND(16, "sample:coun 10", status%)
CALL SEND(16, "form:elem read,unit", status%)
CALL SEND(16, "read?", status%)
reading$ = SPACE$ (300)
CALL ENTER(reading$, length%, 16, status%)
PRINT reading$
```

## Controlling the Model 2015 via the RS-232 COM2 port

This example program illustrates the use of the Keithley Model 2015 DMM interfaced to the RS-232 COM2 port. The Model 2015 is setup to take 100 readings at the fastest possible rate (2015 per second). The readings are taken, sent across the serial port, and displayed on the screen.

```
` Example program controlling the Model 2015 via the RS-232 COM2 port
` For QuickBASIC 4.5 and CEC PC488 interface card
RD$=SPACE$(1500)           ` Set string space
CLS                        ` Clear screen
PRINT "Set COM2 baud rate to 9600"
PRINT "Set no flow control, and CR as Terminator"

` Configure serial port parameters
ComOpen$="COM2:9600,N,8,1,ASC,CD0,CS0,DS0,LF,OP0,RS,TB8192,RB8192"
OPEN ComOpen$ FOR RANDOM AS #1
```

```
` Model 2015 setup commands
` Note Serial communications only operate with SCPI mode...
PRINT #1, "*RST"           ` Clear registers
PRINT #1, "*CLS"           ` Clear Model 2015
PRINT #1, ":INIT:CONT OFF;:ABORT" ` Init off
PRINT #1, ":SENS:FUNC `VOLT:DC'" ` DCV
PRINT #1, ":SYST:AZER:STAT OFF" ` Auto zero off
PRINT #1, ":SENS:VOLT:DC:AVER:STAT OFF" ` Filter off
PRINT #1, ":SENS:VOLT:DC:NPLC 0.01" ` NPLC = 0.01
PRINT #1, ":SENS:VOLT:DC:RANG 10" ` 10V range
PRINT #1, ":SENS:VOLT:DC:DIG 4" ` 4 digit
PRINT #1, ":FORM:ELEM READ" ` Reading only
PRINT #1, ":TRIG:COUN 1" ` Trig count 1
PRINT #1, ":SAMP:COUN 100" ` Sample count 100
PRINT #1, ":TRIG:DEL 0" ` No trigger delay
PRINT #1, ":TRIG:SOUR IMM" ` Immediate trigger
PRINT #1, ":DISP:ENAB OFF" ` No display
SLEEP 1 ` Wait one second
PRINT #1, ":READ?" ` Read query
LINE INPUT #1, RD$ ` Get data
PRINT RD$ ` Display data
PRINT #1, ":DISP:ENAB ON" ` Turn on display

` Clean up and quit.
finish:
CLOSE #1 ` Close file
CLEAR ` Interface clear
END
```



---

# D IEEE-488 Bus Overview

## Introduction

Basically, the IEEE-488 bus is simply a communication system between two or more electronic devices. A device can be either an instrument or a computer. When a computer is used on the bus, it serves to supervise the communication exchange between all the devices and is known as the controller. Supervision by the controller consists of determining which device will talk and which device will listen. As a talker, a device will output information and as a listener, a device will receive information. To simplify the task of keeping track of the devices, a unique address number is assigned to each one.

On the bus, only one device can talk at a time and is addressed to talk by the controller. The device that is talking is known as the active talker. The devices that need to listen to the talker are addressed to listen by the controller. Each listener is then referred to as an active listener. Devices that do not need to listen are instructed to unlisten. The reason for the unlisten instruction is to optimize the speed of bus information transfer since the task of listening takes up bus time.

Through the use of control lines, a handshake sequence takes place in the transfer process of information from a talker to a listener. This handshake sequence helps ensure the credibility of the information transfer. The basic handshake sequence between an active controller (talker) and a listener is as follows:

1. The listener indicates that it is ready to listen.
2. The talker places the byte of data on the bus and indicates that the data is available to the listener.
3. The listener, aware that the data is available, accepts the data and then indicates that the data has been accepted.
4. The talker, aware that the data has been accepted, stops sending data and indicates that data is not being sent.
5. The listener, aware that there is no data on the bus, indicates that it is ready for the next byte of data.

## Bus description

The IEEE-488 bus, which is also frequently referred to as the GPIB (General Purpose Interface Bus), was designed as a parallel transfer medium to optimize data transfer without using an excessive number of bus lines. In keeping with this goal, the bus has only eight data lines that are used for both data and with most commands. Five bus management lines and three handshake lines round out the complement of bus signal lines.

A typical set up for controlled operation is shown in [Figure D-1](#). Generally, a system will contain one controller and a number of other instruments to which the commands are given. Device operation is categorized into three operators: controller, talker and listener. The controller does what its name implies; it controls the instruments on the bus. The talker sends data while a listener receives data. Depending on the type of instrument, any particular device can be a talker only, a listener only or both a talker and listener.

There are two categories of controllers: system controller, and basic controller. Both are able to control other instruments, but only the system controller has the absolute authority in the system. In a system with more than one controller, only one controller may be active at any given time. Certain protocol is used to pass control from one controller to another.

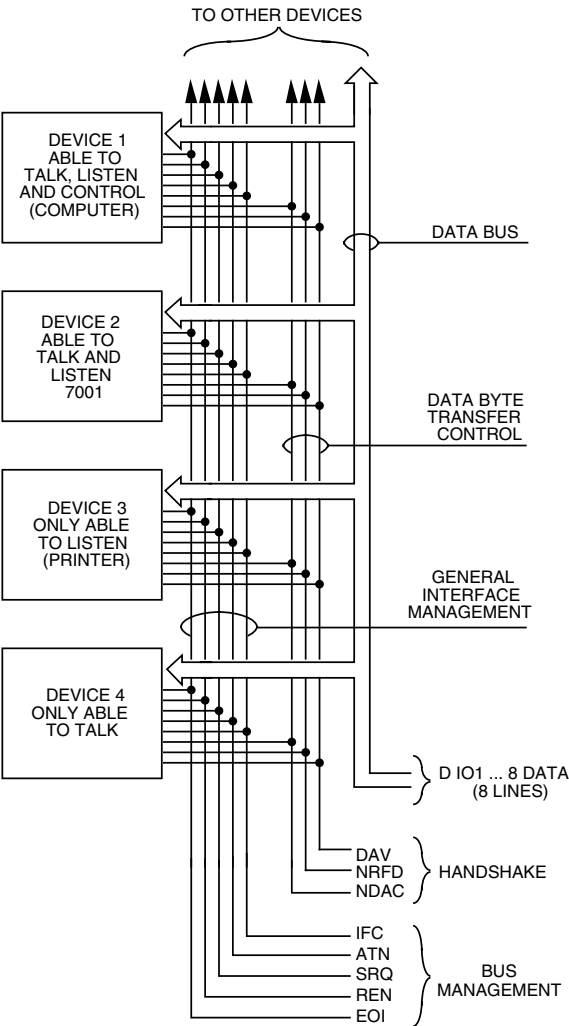
The IEEE-488 bus is limited to 15 devices, including the controller. Thus, any number of talkers and listeners up to that limit may be present on the bus at one time. Although several devices may be commanded to listen simultaneously, the bus can have only one active talker, or communications would be scrambled.

A device is placed in the talk or listen state by sending an appropriate talk or listen command. These talk and listen commands are derived from an instrument's primary address. The primary address may have any value between 0 and 31, and is generally set by rear panel DIP switches or programmed in from the front panel of the instrument. The actual listen address value sent out over the bus is obtained by ORing the primary address with \$20. For example, if the primary address is \$16, the actual listen address is \$36 ( $\$36 = \$16 + \$20$ ). In a similar manner, the talk address is obtained by ORing the primary address with \$40. With the present example, the talk address derived from a primary address of 16 decimal would be \$56 ( $\$56 = \$16 + \$40$ ).

The IEEE-488 standards also include another addressing mode called secondary addressing. Secondary addresses lie in the range of \$60-\$7F. Note, however, that many devices, including the Model 2015, do not use secondary addressing.

Once a device is addressed to talk or listen, the appropriate bus transactions take place. For example: if the instrument is addressed to talk, it places its data string on the bus one byte at a time. The controller reads the information and the appropriate software can be used to direct the information to the desired location.

Figure D-1  
IEEE-488 bus  
configuration





## Bus lines

The signal lines on the IEEE-488 bus are grouped into three different categories: data lines, management lines and handshake lines. The data lines handle bus data and commands, while the management and handshake lines ensure that proper data transfer and operation takes place. Each bus line is active low, with approximately zero volts representing a logic 1 (true). The following paragraphs describe the operation of these lines.

### Data lines

The IEEE-488 bus uses eight data lines that transfer data one byte at a time. DIO1 (Data Input/Output) through DIO8 (Data Input/Output) are the eight data lines used to transmit both data and multiline commands and are bidirectional. The data lines operate with low true logic.

### Bus management lines

The five bus management lines help to ensure proper interface control and management. These lines are used to send the uniline commands.

**ATN (Attention)** — The ATN line is one of the more important management lines in that the state of this line determines how information on the data bus is to be interpreted.

**IFC (Interface Clear)** — As the name implies, the IFC line controls clearing of instruments from the bus.

**REN (Remote Enable)** — The REN line is used to place the instrument on the bus in the remote mode.

**EOI (End or Identify)** — The EOI is usually used to mark the end of a multi-byte data transfer sequence.

**SRQ (Service Request)** — This line is used by devices when they require service from the controller.

## Handshake lines

The bus handshake lines operate in an interlocked sequence. This method ensures reliable data transmission regardless of the transfer rate. Generally, data transfer will occur at a rate determined by the slowest active device on the bus.

One of the three handshake lines is controlled by the source (the talker sending information), while the remaining two lines are controlled by accepting devices (the listener or listeners receiving the information). The three handshake lines are:

**DAV (DATA VALID)** — The source controls the state of the DAV line to indicate to any listening devices whether or not data bus information is valid.

**NRFD (Not Ready For Data)** — The acceptor controls the state of NRFD. It is used to signal to the transmitting device to hold off the byte transfer sequence until the accepting device is ready.

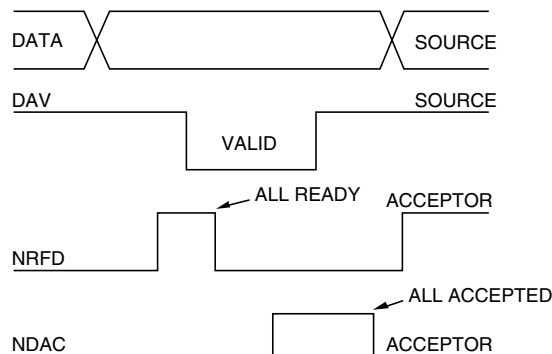
**NDAC (Not Data Accepted)** — NDAC is also controlled by the accepting device. The state of NDAC tells the source whether or not the device has accepted the data byte.

The complete handshake sequence for one data byte is shown in [Figure D-2](#). Once data is placed on the data lines, the source checks to see that NRFD is high, indicating that all active devices are ready. At the same time, NDAC should be low from the previous byte transfer. If these conditions are not met, the source must wait until NDAC and NRFD have the correct status. If the source is a controller, NRFD and NDAC must be stable for at least 100nsec after ATN is set true. Because of the possibility of a bus hang up, many controllers have time-out routines that display messages in case the transfer sequence stops for any reason.

Once all NDAC and NRFD are properly set, the source sets DAV low, indicating to accepting devices that the byte on the data lines is now valid. NRFD will then go low, and NDAC will go high once all devices have accepted the data. Each device will release NDAC at its own rate, but NDAC will not be released to go high until all devices have accepted the data byte.

The sequence just described is used to transfer both data, talk and listen addresses, as well as multiline commands. The state of the ATN line determines whether the data bus contains data, addresses or commands as described in the following paragraph.

**Figure D-2**  
*IEEE-488 handshake sequence*



## Bus commands

The instrument may be given a number of special bus commands through the IEEE-488 interface. This section briefly describes the purpose of the bus commands which are grouped into the following three categories.

1. Uniline Commands — Sent by setting the associated bus lines true. For example, to assert REN (Remote Enable), the REN line would be set low (true).
2. Multiline Commands — General bus commands which are sent over the data lines with the ATN line true (low).
3. Common Commands — Commands that are common to all devices on the bus; sent with ATN high (false).
4. SCPI Commands — Commands that are particular to each device on the bus; sent with ATN (false).

These bus commands and their general purpose are summarized in [Table D-1](#).

**Table D-1**  
*IEEE-488 bus command summary*

Command type	Command	State of ATN line	Comments
Uniline	REN (Remote Enable)	X	Set up devices for remote operation.
	EOI	X	Marks end of transmission.
	IFC (Interface Clear)	X	Clears interface.
	ATN (Attention)	Low	Defines data bus contents.
	SRQ	X	Controlled by external device.
Multiline	LLO (Local Lockout)	Low	Locks our local operation.
Universal	DCL (Device Clear)	Low	Returns device to default conditions.
	SPE (Serial Enable)	Low	Enables serial polling.
	SPD (Serial Poll Disable)	Low	Disables serial polling.
Addressed	SDC (Selective Device Clear)	Low	Returns unit to default conditions.
	GTL (Go To Local)	Low	Returns device to local.
Unaddressed	UNL (Unlisten)	Low	Removes all listeners from the bus.
	UNT (Untalk)	Low	Removes any talkers from the bus.
Common	—	High	Programs IEEE-488.2 compatible instruments for common operations.
SCPI	—	High	Programs SCPI compatible instruments for particular operations.

---

## Uniline commands

ATN, IFC and REN are asserted only by the controller. SRQ is asserted by an external device. EOI may be asserted either by the controller or other devices depending on the direction of data transfer. The following is a description of each command. Each command is sent by setting the corresponding bus line true.

REN (Remote Enable) — REN is sent to set up instruments on the bus for remote operation. When REN is true, devices will be removed from the local mode. Depending on device con used to positively identify the last byte in a multi-byte transfer sequence, thus allowing data words of various lengths to be transmitted easily.

IFC (Interface Clear) — IFC is used to clear the interface and return all devices to the talker and listener idle states.

ATN (Attention) — The controller sends ATN while transmitting addresses or multiline commands.

SRQ (Service Request) — SRQ is asserted by a device when it requires service from a controller.

## Universal multiline commands

Universal commands are those multiline commands that require no addressing. All devices equipped to implement such commands will do so simultaneously when the commands are transmitted. As with all multiline commands, these commands are transmitted with ATN true.

LLO (Local Lockout) — LLO is sent to the instrument to lock out the LOCAL key and thus all their front panel controls.

DCL (Device Clear) — DCL is used to return instruments to some default state. Usually, instruments return to their power-up conditions.

SPE (Serial Poll Enable) — SPE is the first step in the serial polling sequence which is used to determine which device has requested service.

SPD (Serial Poll Disable) — SPD is used by the controller to remove all devices on the bus from the serial poll mode and is generally the last command in the serial polling sequence.

## Addressed multiline commands

Addressed commands are multiline commands that must be preceded by the device listen address before that instrument will respond to the command in question. Note that only the addressed device will respond to these commands. Both the commands and the address preceding it are sent with ATN true.

SDC (Selective Device Clear) — The SDC command performs essentially the same function as the DCL command except that only the addressed device responds. Generally, instruments return to their power-up default conditions when responding to the SDC command.

GTL (Go To Local) — The GTL command is used to remove instruments from the remote mode. With some instruments, GTL also unlocks front panel controls if they were previously locked out with the LLO command.

GET (Group Execute Trigger) — The GET command is used to trigger devices to perform a specific action that depends on device configuration (for example, take a reading). Although GET is an addressed command, many devices respond to GET without addressing.

## Address commands

Addressed commands include two primary command groups and a secondary address group. ATN is true when these commands are asserted. The commands include:

LAG (Listen Address Group) — These listen commands are derived from an instrument's primary address and are used to address devices to listen. The actual command byte is obtained by ORing the primary address with \$20.

TAG (Talk Address Group) — The talk commands are derived from the primary address by ORing the address with \$40. Talk commands are used to address devices to talk.

SCG (Secondary Command Group) — Commands in this group provide additional addressing capabilities. Many devices (including the Model 2015) do not use these commands.

## Unaddress commands

The two unaddress commands are used by the controller to remove any talkers or listeners from the bus. ATN is true when these commands are asserted.

UNL (Unlisten) — Listeners are placed in the listener idle state by the UNL command.

UNT (Untalk) — Any previously commanded talkers will be placed in the talker idle state by the UNT command.

## Common commands

Common commands are commands that are common to all devices on the bus. These commands are designated and defined by the IEEE-488.2 standard.

Generally, these commands are sent as one or more ASCII characters that tell the device to perform a common operation, such as reset. The IEEE-488 bus treats these commands as data in that ATN is false when the commands are transmitted.

## SCPI commands

SCPI commands are commands that are particular to each device on the bus. These commands are designated by the instrument manufacturer, and are based on the instrument model defined by the Standard Commands for Programmable Instruments (SCPI) Consortium's SCPI standard.

Generally, these commands are sent as one or more ASCII characters that tell the device to perform a particular operation, such as setting a range or closing a relay. The IEEE-488 bus treats these commands as data in that ATN is false when the commands are transmitted.

## Command codes

Command codes for the various commands that use the data lines are summarized in [Figure D-3](#). Hexadecimal and the decimal values for the various commands are listed in [Table D-2](#).

*Table D-2*  
*Hexadecimal and decimal command codes*

Command	Hex value	Decimal value
GTL	01	1
SDC	04	4
GET	08	8
LLO	11	17
DCL	14	20
SPE	18	24
SPD	19	25
LAG	20-3F	32-63
TAG	40-5F	64-95
SCG	60-7F	96-127
UNL	3F	63
UNT	5F	95

Figure D-3  
Command codes

D <sub>7</sub> D <sub>6</sub> D <sub>5</sub> D <sub>4</sub>	D <sub>3</sub> ↓	D <sub>2</sub> ↓	D <sub>1</sub> ↓	D <sub>0</sub> ↓	Column → Row ↓	Command	X	Command	X	Primary Address	X	Primary Address	X	Primary Address	X	Primary Address	X	Primary Address	7 (B)					
						0 (A)	0 (B)	1 (A)	1 (B)	2 (A)	3 (A)	3 (B)	4 (A)	4 (B)	5 (A)	5 (B)	6 (A)	6 (B)	7 (A)	7 (B)				
0	0	0	0	0	0	NUL	0	DLE	0	16	0	0	0	16	P	16	P							
0	0	0	0	1	1	SOH	1	DC1	1	17	1	1	1	17	Q	17	Q							
0	0	0	1	0	2	STX	2	DC2	2	18	2	2	2	18	R	18	R							
0	0	1	1	3	3	ETX	3	DC3	3	19	3	3	3	19	S	19	S							
0	1	0	0	4	4	EOT	4	DC4	4	20	4	4	4	20	T	20	T							
0	1	0	0	5	5	ENQ	5	NAK	5	21	5	5	5	21	U	21	U							
0	1	1	0	6	6	ACK	6	SYN	6	22	6	6	6	22	V	22	V							
0	1	1	1	7	7	BEL	7	ETB	7	23	7	7	7	23	W	23	W							
1	0	0	0	8	8	BS	8	CAN	8	24	8	8	8	24	X	24	X							
1	0	0	1	9	9	HT	9	TCT*	9	25	9	9	9	25	Y	25	Y							
1	0	1	0	10	10	LF	10	SUB	10	26	10	10	10	26	Z	26	Z							
1	0	1	1	11	11	VT	11	ESC	11	27	11	11	11	27	{	27	{							
1	1	0	0	12	12	FF	12	FS	12	28	12	12	12	28	\	28	\							
1	1	0	1	13	13	CR	13	GS	13	29	13	13	13	29	]	29	]							
1	1	1	0	14	14	SO	14	RS	14	30	14	14	14	30	^	30	^							
1	1	1	1	15	15	SI	15	US	15	UNL	15	15	15	UNL	O	15	O							
						ADDRESS COMMAND GROUP (ACG)				LISTEN ADDRESS GROUP (LAG)				TALK ADDRESS GROUP (TAG)										
															PRIMARY COMMAND GROUP (PCG)					SECONDARY COMMAND GROUP (SDC)				

\*PPC (PARALLEL POLL CONFIGURE) PPU (PARALLEL POLL UNCONFIGURE), and TCT (TAKE CONTROL) not implemented by Model 2015.  
Note: D<sub>0</sub> = DIO1 ... D<sub>7</sub> = DIO8; X = Don't Care.

## Typical command sequences

For the various multiline commands, a specific bus sequence must take place to properly send the command. In particular, the correct listen address must be sent to the instrument before it will respond to addressed commands. [Table D-3](#) lists a typical bus sequence for sending the addressed multiline commands. In this instance, the SDC command is being sent to the instrument. UNL is generally sent as part of the sequence to ensure that no other active listeners are present. Note that ATN is true for both the listen command and the SDC command byte itself.

**Table D-3**  
*Typical addressed command sequence*

Step	Command	ATN state	Data bus		
			ASCII	Hex	Decimal
1	UNL	Set low	?	3F	63
2	LAG*	Stays low	0	30	48
3	SDC	Stays low	EOT	04	4
4		Returns high			

\*Assumes primary address = 16.

[Table D-4](#) gives a typical common command sequence. In this instance, ATN is true while the instrument is being addressed, but it is set high while sending the common command string.

**Table D-4**  
*Typical addressed command sequence*

Step	Command	ATN state	Data bus		
			ASCII	Hex	Decimal
1	UNL	Set low	?	3F	63
2	LAG*	Stays low	0	30	48
3	Data	Set high	*	2A	42
4	Data	Stays high	R	52	82
5	Data	Stays high	S	53	83
6	Data	Stays high	T	54	84

\*Assumes primary address = 16.



## IEEE command groups

Command groups supported by the Model 2015 are listed in [Table D-5](#). Common commands and SCPI commands are not included in this list.

**Table D-5**

*IEEE command groups*

<b>HANDSHAKE COMMAND GROUP</b>	
	NDAC = NOT DATA ACCEPTED NRFD = NOT READY FOR DATA DAV = DATA VALID
<b>UNIVERSAL COMMAND GROUP</b>	
	ATN = ATTENTION DCL = DEVICE CLEAR IFC = INTERFACE CLEAR REN = REMOTE ENABLE SPD = SERIAL POLL DISABLE SPE = SERIAL POLL ENABLE
<b>ADDRESS COMMAND GROUP</b>	
LISTEN	LAG = LISTEN ADDRESS GROUP MLA = MY LISTEN ADDRESS UNL = UNLISTEN
TALK	TAG = TALK ADDRESS GROUP MTA = MY TALK ADDRESS UNT = UNTALK OTA = OTHER TALK ADDRESS
<b>ADDRESSED COMMAND GROUP</b>	
	ACG = ADDRESSED COMMAND GROUP GTL = GO TO LOCAL SDC = SELECTIVE DEVICE CLEAR
<b>STATUS COMMAND GROUP</b>	
	RQS = REQUEST SERVICE SRQ = SERIAL POLL REQUEST STB = STATUS BYTE EOI = END

## Interface function codes

The interface function codes, which are part of the IEEE-488 standards, define an instrument's ability to support various interface functions and should not be confused with programming commands found elsewhere in this manual. The interface function codes for the Model 2015 are listed in [Table D-6](#). The codes define Model 2015 capabilities as follows:

*Table D-6*  
*Model 2015 interface function codes*

Code	Interface function
SH1	Source Handshake capability
AH1	Acceptor Handshake capability
T5	Talker (basic talker, talk-only, serial poll, unaddressed to talk on LAG)
L4	Listener (basic listener, unaddressed to listen on TAG)
SR1	Service Request capability
RL1	Remote/Local capability
PP0	No Parallel Poll capability
DC1	Device Clear capability
DT1	Device Trigger capability
C0	No Controller capability
E1	Open collector bus drivers
TE0	No Extended Talker capability
LE0	No Extended Listener capability

**SH (Source Handshake Function)** — SH1 defines the ability of the instrument to initiate the transfer of message/data over the data bus.

**AH (Acceptor Handshake Function)** — AH1 defines the ability of the instrument to guarantee proper reception of message/data transmitted over the data bus.

**T (Talker Function)** — The ability of the instrument to send data over the bus to other devices is provided by the T function. Instrument talker capabilities (T5) exist only after the instrument has been addressed to talk.

**L (Listener Function)** — The ability for the instrument to receive device-dependent data over the bus from other devices is provided by the L function. Listener capabilities (L4) of the instrument exist only after it has been addressed to listen.

**SR (Service Request Function)** — SR1 defines the ability of the instrument to request service from the controller.

**RL (Remote-Local Function)** — RL1 defines the ability of the instrument to be placed in the remote or local modes.

**PP (Parallel Poll Function)** — The instrument does not have parallel polling capabilities (PP0).

**DC (Device Clear Function)** — DC1 defines the ability of the instrument to be cleared (initialized).

**DT (Device Trigger Function)** — DTI defines the ability of the Model 2015 to have readings triggered.

**C (Controller Function)** — The instrument does not have controller capabilities (C0).

**TE (Extended Talker Function)** — The instrument does not have extended talker capabilities (TE0).

**LE (Extended Listener Function)** — The instrument does not have extended listener capabilities (LE0).

**E (Bus Driver Type)** — The instrument has open-collector bus drivers (E1).

---

**E**  
IEEE-488 and SCPI  
Conformance Information

# Introduction

The IEEE-488.2 standard requires specific information about how the Model 2015 implements the standard. Paragraph 4.9 of the IEEE-488.2 standard (Std 488.2-1987) lists the documentation requirements. [Table E-1](#) provides a summary of the requirements, and provides the information or references the manual for that information. [Table E-2](#) lists the coupled commands used by the Model 2015.

The Model 2015 complies with SCPI version 1991.0. Tables 5-2 through 5-11 list the SCPI confirmed commands, and the non-SCPI commands implemented by the Model 2015.

**Table E-1**  
*IEEE-488 documentation requirements*

	Requirements	Description or reference
(1)	IEEE-488 Interface Function Codes.	See <a href="#">Appendix D</a> .
(2)	Behavior of 2015 when the address is set outside the range 0-30.	Cannot enter an invalid address.
(3)	Behavior of 2015 when valid address is entered.	Address changes and bus resets.
(4)	Power-On Setup Conditions.	Determine by :SYSTem:POSetup ( <a href="#">Section 5</a> ).
(5)	Message Exchange Options:	
(a)	Input buffer size.	256 bytes.
(b)	Queries that return more than one response message unit.	None.
(c)	Queries that generate a response when parsed.	All queries (Common Commands and SCPI).
(d)	Queries that generate a response when read.	None.
(e)	Coupled commands.	See <a href="#">Table E-2</a> .
(6)	Functional elements required for SCPI commands.	Contained in SCPI command subsystems tables (see <a href="#">Table 5-2</a> through <a href="#">Table 5-11</a> ).
(7)	Buffer size limitations for block data.	Block display messages: 12 characters max,
(8)	Syntax restrictions.	See “Programming Syntax” in <a href="#">Section 4</a> .
(9)	Response syntax for every query command.	See “Programming Syntax” in <a href="#">Section 4</a> .
(10)	Device-to-device message transfer that does not follow rules of the standard.	None.
(11)	Block data response size.	See “Display Subsystem” in <a href="#">Section 5</a> .
(12)	Common Commands implemented by 2015.	See “Common Commands” in <a href="#">Section 4</a> .
(13)	Calibration query information.	See Service Manual.
(14)	Trigger macro for *DDT.	Not applicable.
(15)	Macro information	Not applicable.
(16)	Response to *IDN (identification).	See “Common Commands” in <a href="#">Section 4</a> .
(17)	Storage area for *PUD and *PUD?	Not applicable.
(18)	Resource description for *RDT and *RDT?	Not applicable.
(19)	Effects of *RST, *RCL and *SAV.	See “Common Commands” in <a href="#">Section 4</a> .
(20)	*TST information.	See “Common Commands” in <a href="#">Section 4</a> .
(21)	Status register structure.	See “Status structure” in <a href="#">Section 4</a> .
(22)	Sequential or overlapped commands.	All are sequential except :INIT and :INIT:CONT ON, which are overlapped.
(23)	Operation complete messages.	*OPC, *OPC? and *WAI; see “Common Commands” in <a href="#">Section 4</a> .

**Table E-2**  
Coupled commands

Command	Also changes	To
:TRAC:POIN	:TRAC:FEED:CONT	NEV
:TRAC:CLE	:TRAC:FEED:CONT	NEV
Sense Subsystem Commands:		
...:RANG:UPP	...:RANG:AUTO	OFF
...:REF:ACQ	...:REF	presently displayed reading

... = Valid function command words (i.e. :VOLT:DC, :VOLT:AC, etc.)



---

# Index

- :ABORt command 5-74
- :AVERAge commands 5-47
- :AZERo commands 5-69
- :BEEPer command 5-67
- :BORDER command 5-34
- :CALCulate[1] 5-23
- :CALCulate2 5-25
- :CALCulate3 5-27
- :CLEAr command 5-70, 5-72
- :CONDition? command 5-64
- :CONTinuity command 5-50
- :DATA command 5-31, 5-40
- :DATA? command 5-73
- :DIGits command 5-46
- :DIODE command 5-50
- :DISTortion commands 5-51, 5-79
- :ELEMents command 5-35
- :ENABle command 5-62
- :ERRor? command 5-69
- :FEED command 5-73
- :FETCh? 2-54
- :FORMat subsystem 5-31
- :FREE? command 5-72
- :FRSWitch? command 5-68
- :FUNCTion Command 5-39
- :HOLD Command 5-40
- :INITiate commands 5-74
- :KCLick command 5-67
- :KEY command 5-70
- :PEAK commands  
(Model 2015P only) 5-55
- :POINts command 5-72
- :POSetup command 5-68
- :PRESet command 5-64, 5-67
- :QUEue commands 5-65
- :RANGe commands 5-42
- :READ? 2-55
- :REFerence commands 5-44
- :SYSTem subsystem 5-67
- :TEMPerature command 5-77
- :THREshold commands 5-49
- :TRACe subsystem 5-72
- :TRIGger commands 5-75
- :UNIT subsystem 5-77
- :VERSion? command 5-68
- :VOLTage commands 5-77

## A

- About program fragments 4-11
- AC voltage offset 2-19
- Accessories 1-4
- Accuracy calculations A-6
- Adapters 1-5
- Additional derating factors A-8
- Address commands D-10
- Addressed multiline commands D-10
- AMPS fuse replacement 2-21
- Analyzing frequency spectrum  
(Model 2015P only) 2-47
- Autorangeing 3-3

## B

- Bandwidth 3-7
- Bandwidth command 5-48
- Basic Measurements 2-1
- Buffer operations 3-16
- Buffer statistics 3-18
- Bus commands D-8
- Bus description D-4
- Bus lines D-6
- Bus management lines D-6

## C

- Cables and adapters 1-5
- Calculate subsystem 5-23
- Calculating AC characteristics accuracy A-6
- Calculating dB characteristics accuracy A-8
- Calculating dBm characteristics accuracy A-7
- Calculating DC characteristics accuracy A-6
- Calibration 3-26
- Carrying case 1-5
- Case sensitivity 4-29
- Changing function and range C-2
- Command codes D-11
- Command execution rules 4-32
- Command path rules 4-32
- Command words 4-27
- Commands and command parameters 4-27
- Common Commands 4-34, D-11
- Condition registers 4-17
- Configuration 2-27, 2-28, 2-29, 2-30, 2-31,  
2-35
- CONFIgure Command 5-2
- Configure the internal function generator 2-37



---

Connections 2-16, 2-20, 2-22, 2-25, 2-26,  
2-32, 2-33, 2-40  
Control source and event detection 3-8  
Controlling the Model 2015 via the RS-232  
COM2 port C-8  
Counters 3-10  
Crest factor 2-17

## D

Data lines D-6  
dB calculation 2-31  
dBm calculation 2-30  
DCL (device clear) 4-13  
Delay 3-9  
Device actions 3-10  
Digits 3-5  
Display 2-16  
DISPlay subsystem 5-29  
Distortion and RMS Volts Sweep  
Example 2-45

## E

Enable registers 4-17  
Enabling limits 3-20  
Error and status messages 4-15  
Error messages 4-6  
Error queue 4-20  
Event registers 4-17  
Example Programs C-1  
External scanning 3-24  
External trigger 3-12  
External triggering 3-11  
External triggering example 3-12  
External triggering with BNC connections 3-16

## F

Feature overview 1-2  
FETCh? command 5-4  
Filter 3-3  
Filter types 3-4  
Frequency response sweep example 2-46  
Front panel GPIB operation 4-15  
Front panel scanner controls 3-21  
Front panel summary 2-3

## G

Gate time 2-24  
General Bus Commands 4-12  
General Bus Commands and Associated  
Statements 4-12  
General Information 1-1

General purpose probes 1-4  
Generating SRQ on buffer full C-5  
GET (group execute trigger) 4-14  
GPIB bus 4-3  
GPIB bus connections 4-8  
GPIB bus operation and reference 4-7  
GPIB bus standards 4-7  
GPIB primary address 2-15  
GPIB status indicators 4-15  
GTL (go to local) 4-13

## H

Handshake lines D-7  
High energy circuit safety precautions 2-11  
Hold example 3-11

## I

Idle 3-8  
Idle and initiate 4-25  
IEEE command groups D-14  
IEEE-488 and SCPI Conformance  
Information E-1  
IEEE-488 Bus Overview D-1  
IFC (interface clear) 4-13  
Inspection 1-4  
Install the universal language driver 4-10  
Interface function codes D-15  
Introduction 1-2, 2-2, 3-2, 4-2, 4-7, D-2,  
E-2

## L

Limit operations 3-18  
Line frequency query 5-72  
Line power connection 2-8  
LLO (local lockout) 4-13  
LOCAL key 4-15  
Long-form and short-form versions 4-29  
Low level considerations 2-17  
Low thermal probes 1-5

## M

Manual addenda 1-3  
Manual ranging 3-2  
Math 2-27  
Maximum readings 3-2  
MEASure command 5-6  
MEAS:[function]? 2-55  
Measurement configuration 3-2  
Measurement examples 2-42  
Measurement Options 3-1  
Measurement Queries 2-54

---

- Measuring AC volts or frequency 2-43
- Measuring continuity 2-32
- Measuring current 2-20
- Measuring distortion 2-34, 2-42
- Measuring frequency and period 2-24
- Measuring resistance 2-22
- Measuring temperature 2-26
- Measuring voltage 2-16
- Message exchange protocol 4-33
- Multiple command messages 4-31
- Multiple response messages 4-33
- MX + B 2-28

## O

- One-shot triggering C-4
- Optimizing measurement accuracy A-9
- Optimizing measurement speed A-9
- Options and accessories 1-4
- Output queue 4-20
- OUTPut subsystem 5-36
- Output trigger 3-10

## P

- Peak commands 2-47
- Percent 2-29
- Power-on defaults 2-12
- Power-up 2-8
- Power-up sequence 2-10
- Program examples C-2
- Program message terminator (PMT) 4-32
- Program messages 4-31
- Programming syntax 4-27

## Q

- Query commands 4-29
- Queues 4-20
- QuickBASIC 4.5 programming 4-10

## R

- Rack mount kits 1-5
- Range 2-33, 3-2
- Rate 3-6
- READ? command 5-5
- Reading hold (autosettle) 3-10
- Rear panel summary 2-6
- Recalling readings 3-17
- Relative 3-5
- Remote Operation 4-1
- REN (remote enable) 4-12
- Response message terminator (RMT) 4-33
- Response messages 4-33

- Response time 3-4
- ROUTe subsystem 5-38
- RS-232 4-3
- RS-232 connections 4-6
- RS-232 interface commands 5-71
- RS-232 operation 4-4

## S

- Safety symbols and terms 1-3
- Scan operations 3-21
- Scanning examples 3-24
- Scanning overview 3-21
- SCPI Command Reference 5-1
- SCPI command subsystems reference tables 5-7
- SCPI commands D-11
- SCPI Signal oriented measurement commands 5-2
- SDC (selective device clear) 4-14
- Select shaping filter 2-36
- Select the function 2-35
- Selecting an interface 4-2
- Selecting baud rate 4-4
- Selecting signal handshaking (flow control) 4-5
- Selecting the primary address 4-10
- Sending a response message 4-33
- Sending and receiving data 4-4
  - [Sense[1]] subsystem 5-39
  - [[:SENSe[1]]]:DATA:FRESH? 2-56
  - [[:SENSe[1]]]:DATA:LATest? 2-56
- Serial poll and SRQ 4-23
- Service request enable register 4-22
- Set measurement units 2-36
- Set number of highest harmonic 2-36
- Set the distortion frequency acquisition 2-35
- Set the distortion measurement type 2-35
- Set the voltage range 2-36
- Setting limit values 3-19
- Setting line voltage and replacing fuse 2-9
- Setting terminator 4-5
- Shielding 2-18, 2-23
- Short-form rules 4-30
- Single command messages 4-31
- SPE, SPD (serial polling) 4-14
- Specifications 1-4, A-1
- Speed Commands 5-41
- Status and Error Messages B-1
- Status and error messages 2-16
- Status Byte and Service Request (SRQ) 4-21
- Status Byte Register 4-21
- Status structure 4-16
- STATus subsystem 5-58

---

Stepping and scanning trigger model  
additions 3-21  
Storing readings 3-17  
Storing readings in buffer C-6  
System operations 3-26

## T

Taking readings using the  
    READ? command C-8  
Testing diodes 2-33  
Thermal EMFs 2-18  
Thermocouple commands 5-49  
Threshold resistance level 2-32  
Trigger level 2-24  
Trigger model 3-8  
Trigger model (GPIB operation) 4-24  
Trigger model operation 4-25  
Trigger operations 3-8  
Trigger subsystem 5-74  
Typical command sequences D-13

## U

Unaddress commands D-10  
Uniline commands D-9  
Universal multiline commands D-9  
Using common commands and SCPI commands  
    in the same message 4-32  
Using SHIFT-CONFIG to configure stepping  
    and scanning 3-23

## V

Voltmeter complete 3-12

## W

Warm-up time 2-15  
Warranty information 1-3

**Model No.** \_\_\_\_\_ **Serial No.** \_\_\_\_\_ **Date** \_\_\_\_\_

**Name and Telephone No.** \_\_\_\_\_

**Company** \_\_\_\_\_

List all control settings, describe problem and check boxes that apply to problem. \_\_\_\_\_

Intermittent                       Analog output follows display                       Particular range or function bad; specify

IEEE failure                       Obvious problem on power-up                       Batteries and fuses are OK

Front panel operational                       All ranges or functions are bad                       Checked all cables

Display or output (check one)

Drifts                       Unable to zero  
 Unstable                       Will not read applied input  
 Overload

Calibration only                       Certificate of calibration required

Data required

(attach any additional sheets as necessary)

Show a block diagram of your measurement system including all instruments connected (whether power is turned on or not). Also, describe signal source.

Where is the measurement being performed? (factory, controlled laboratory, out-of-doors, etc.)

What power line voltage is used? \_\_\_\_\_ Ambient temperature?°F \_\_\_\_\_

Relative humidity? \_\_\_\_\_ Other? \_\_\_\_\_

Any additional information. (If special modifications have been made by the user, please describe.)

**Be sure to include your name and phone number on this service form.**





Specifications are subject to change without notice.  
All Keithley trademarks and trade names are the property of Keithley Instruments, Inc.  
All other trademarks and trade names are the property of their respective companies.

---

**KEITHLEY**

A G R E A T E R M E A S U R E O F C O N F I D E N C E

**Keithley Instruments, Inc.**

**Corporate Headquarters** • 28775 Aurora Road • Cleveland, Ohio 44139 • 440-248-0400 • Fax: 440-248-6168 • 1-888-KEITHLEY • [www.keithley.com](http://www.keithley.com)