

Keysight E8486A Power Sensor

User's and
Service Guide

Notices

Copyright Notice

© Keysight Technologies 2013-2020
No part of this manual may be reproduced in any form or by any means (including electronic storage and retrieval or translation into a foreign language) without prior agreement and written consent from Keysight Technologies as governed by United States and international copyright laws.

Manual Part Number

E8486-90001

Edition

Edition 5, October 22, 2020

Printed in:

Printed in Malaysia

Published by:

Keysight Technologies
Bayan Lepas Free Industrial Zone,
11900 Penang, Malaysia

Technology Licenses

The hardware and/or software described in this document are furnished under a license and may be used or copied only in accordance with the terms of such license.

Declaration of Conformity

Declarations of Conformity for this product and for other Keysight products may be downloaded from the Web. Go to <http://www.keysight.com/go/conformity>. You can then search by product number to find the latest Declaration of Conformity.

U.S. Government Rights

The Software is “commercial computer software,” as defined by Federal Acquisition Regulation (“FAR”) 2.101. Pursuant to FAR 12.212 and 27.405-3 and Department of Defense FAR Supplement (“DFARS”) 227.7202, the U.S. government acquires commercial computer software under the same terms by which the software is customarily provided to the public. Accordingly, Keysight provides the Software to U.S. government customers under its standard commercial license, which is embodied in its End User License Agreement (EULA), a copy of which can be found at <http://www.keysight.com/find/sweula>. The license set forth in the EULA represents the exclusive authority by which the U.S. government may use, modify, distribute, or disclose the Software. The EULA and the license set forth therein, does not require or permit, among other things, that Keysight: (1) Furnish technical information related to commercial computer software or commercial computer software documentation that is not customarily provided to the public; or (2) Relinquish to, or otherwise provide, the government rights in excess of these rights customarily provided to the public to use, modify, reproduce, release, perform, display, or disclose commercial computer software or commercial computer software documentation. No additional government requirements beyond those set forth in the EULA shall apply, except to the extent that those terms, rights, or licenses are explicitly required from all providers of commercial computer software pursuant to the FAR and the DFARS and are set forth specifically in writing elsewhere in the EULA. Keysight shall be under no obligation to update, revise or otherwise modify the Software. With respect to any technical data as defined by FAR 2.101, pursuant to FAR 12.211 and 27.404.2 and DFARS 227.7102, the U.S. government acquires no greater than Limited Rights as defined in FAR 27.401 or DFAR 227.7103-5 (c), as applicable in any technical data.

Warranty

THE MATERIAL CONTAINED IN THIS DOCUMENT IS PROVIDED “AS IS,” AND IS SUBJECT TO BEING CHANGED, WITHOUT NOTICE, IN FUTURE EDITIONS. FURTHER, TO THE MAXIMUM EXTENT PERMITTED BY APPLICABLE LAW, KEYSIGHT DISCLAIMS ALL WARRANTIES, EITHER EXPRESS OR IMPLIED, WITH REGARD TO THIS MANUAL AND ANY INFORMATION CONTAINED HEREIN, INCLUDING BUT NOT LIMITED TO THE IMPLIED WARRANTIES OF MERCHANTABILITY AND FITNESS FOR A PARTICULAR PURPOSE. KEYSIGHT SHALL NOT BE LIABLE FOR ERRORS OR FOR INCIDENTAL OR CONSEQUENTIAL DAMAGES IN CONNECTION WITH THE FURNISHING, USE, OR PERFORMANCE OF THIS DOCUMENT OR OF ANY INFORMATION CONTAINED HEREIN. SHOULD KEYSIGHT AND THE USER HAVE A SEPARATE WRITTEN AGREEMENT WITH WARRANTY TERMS COVERING THE MATERIAL IN THIS DOCUMENT THAT CONFLICT WITH THESE TERMS, THE WARRANTY TERMS IN THE SEPARATE AGREEMENT SHALL CONTROL.

Safety Information

CAUTION

A CAUTION notice denotes a hazard. It calls attention to an operating procedure, practice, or the like that, if not correctly performed or adhered to, could result in damage to the product or loss of important data. Do not proceed beyond a CAUTION notice until the indicated conditions are fully understood and met.

WARNING

A WARNING notice denotes a hazard. It calls attention to an operating procedure, practice, or the like that, if not correctly performed or adhered to, could result in personal injury or death. Do not proceed beyond a WARNING notice until the indicated conditions are fully understood and met.

Certification

Keysight Technologies certifies that this product met its published specifications at the time of shipment. Keysight further certifies that its calibration measurements are traceable to the United States National Institute of Standard and Technology (formerly National Bureau of Standards), to the extent allowed by that organization's calibration facility, and to the calibration facilities of other International Standards Organization members.

Warranty

This Keysight Technologies instrument product is warranted against defects in material and workmanship for a period of 3 years from date of shipment. During the warranty period, Keysight Technologies will at its option, either repair or replace products which prove to be defective. For warranty service or repair, this product must be returned to a service facility designated by Keysight Technologies. Buyer shall prepay shipping charges to Keysight Technologies and Keysight Technologies shall pay shipping charges, duties, and taxes for products returned to Keysight Technologies from another country. Keysight Technologies warrants that its software and firmware designated by Keysight Technologies for use with an instrument will execute its programming instructions when properly installed on that instrument. Keysight Technologies does not warrant that the operation of the instrument or firmware will be uninterrupted or error free.

Limitation of Warranty

The foregoing warranty shall not apply to defects resulting from improper or inadequate maintenance by Buyer, Buyer-supplied software or interfacing, unauthorized modification or misuse, operation outside of the environmental specifications for the product, or improper site preparation or maintenance. NO OTHER WARRANTY IS EXPRESSED OR IMPLIED. KEYSIGHT TECHNOLOGIES SPECIFICALLY DISCLAIMS THE IMPLIED WARRANTIES OF MERCHANTABILITY AND FITNESS FOR A PARTICULAR PURPOSE.

Exclusive Remedies

THE REMEDIES PROVIDED HEREIN ARE BUYER'S SOLE AND EXCLUSIVE REMEDIES. KEYSIGHT TECHNOLOGIES SHALL NOT BE LIABLE FOR ANY DIRECT, INDIRECT, SPECIAL, INCIDENTAL, OR CONSEQUENTIAL DAMAGES, WHETHER BASED ON CONTRACT, TORT, OR ANY OTHER LEGAL THEORY.

Safety Considerations

Read the information below before using this instrument.

The following general safety precautions must be observed during all phases of operation, service, and repair of this instrument. Failure to comply with these precautions or with specific warnings elsewhere in this manual violates safety standards for design, manufacture, and intended use of the instrument. Keysight Technologies assumes no liability for the customer's failure to comply with these requirements.

WARNING

- Do not use the device if it is damaged. Before you use the device, inspect the casing. Look for cracks or missing plastic. Do not operate the device around explosive gas, vapor, or dust.
 - Observe all markings on the device before establishing any connection.
-

CAUTION

- If the device is used in a manner not specified by the manufacturer, the device protection may be impaired.
 - Always use dry cloth to clean the device. Do not use ethyl alcohol or any other volatile liquid to clean the device.
-

Environmental Conditions

The E8486A is designed for indoor use and in an area with low condensation. The table below shows the general environmental requirements for this instrument.

Environmental condition	Requirement
Temperature	Operating condition – 0 °C to 55 °C
	Storage condition – -40 °C to 70 °C
Humidity	Operating condition – Maximum humidity up to 95% RH at 40°C (non-condensing)
	Storage condition – Maximum humidity up to 90% RH at 65°C (non-condensing)
Altitude	Up to 4572 meters (15000 feet)
Pollution degree	2


Regulatory Information

The E8486A complies with the following safety and Electromagnetic Compatibility (EMC) compliances:

EMC compliance

- IEC 61326-1:2005/EN61326-1:2006
- CISPR11:2003/EN55011:2007, Group 1 Class A
- Canada: ICES/NMB-001:Issue 4, June 2006
- Australia/New Zealand: AS/NZS CISPR 11:2004

Regulatory Markings

	<p>The CE mark is a registered trademark of the European Community. This CE mark shows that the product complies with all the relevant European Legal Directives.</p>		<p>The RCM mark is a registered trademark of the Australian Communications and Media Authority.</p>
<p>ICES/NMB-001</p>	<p>ICES/NMB-001 indicates that this ISM device complies with the Canadian ICES-001. Cet appareil ISM est conforme a la norme NMB-001 du Canada.</p>		<p>This instrument complies with the WEEE Directive (2002/96/EC) marking requirement. This affixed product label indicates that you must not discard this electrical or electronic product in domestic household waste.</p>
	<p>This symbol indicates the time period during which no hazardous or toxic substance elements are expected to leak or deteriorate during normal use. Forty years is the expected useful life of the product.</p>		

Waste Electrical and Electronic Equipment (WEEE) Directive 2002/96/EC

This instrument complies with the WEEE Directive (2002/96/EC) marking requirement. This affixed product label indicates that you must not discard this electrical or electronic product in domestic household waste.

Product category:

With reference to the equipment types in the WEEE directive Annex 1, this instrument is classified as a “Monitoring and Control Instrument” product.

The affixed product label is as shown below.



Do not dispose in domestic household waste.

To return this unwanted instrument, contact your nearest Keysight Service Center, or visit <http://about.keysight.com/en/companyinfo/environment/takeback.shtml> for more information.

Sales and Technical Support

To contact Keysight for sales and technical support, refer to the support links on the following Keysight websites:

- www.keysight.com/find/waveguidesensor
(product-specific information and support, software and documentation updates)
- www.keysight.com/find/assist
(worldwide contact information for repair and service)

THIS PAGE HAS BEEN INTENTIONALLY LEFT BLANK.

Table of Contents

Certification	3
Warranty	3
Limitation of Warranty	3
Exclusive Remedies	4
Safety Considerations	5
Environmental Conditions	6
Regulatory Information	7
EMC compliance	7
Regulatory Markings	8
Waste Electrical and Electronic Equipment (WEEE) Directive 2002/96/ EC	9
Product category:	9
Sales and Technical Support	9
1 Introduction	
General Information	16
Description	16
Standard shipped items	18
Warranty	19
Recommended Calibration Interval	19
Installation	20
Initial Inspection	20
Interconnections and calibration	20
Storage and Shipment	21
Original packaging	21
2 General Operation	
Operation	24
Operating precautions	24
Power meter calibrations	25

Power measurements	26
Operating instructions	26
Modulation effects	27
Linearity correction	27
3 Characteristics and Specifications	
4 Service	
Performance Tests	32
Replaceable Parts	33
Repair and adjustments	33

List of Figures

Figure 1-1	Keysight E8486A power sensor	16
Figure 1-2	Keysight E8486A power sensor with accessories and hardware	18
Figure 2-1	Precision E-band Interface on the front of the power sensor	25

THIS PAGE HAS BEEN INTENTIONALLY LEFT BLANK.

1 Introduction

General Information	16
Installation	20
Storage and Shipment	21

This chapter assists you in how to set up the E8486A for the first time. A summary of all the features of the E8486A is also given.

General Information

This User's and Service Guide contains information about the initial inspection and operation of the Keysight E8486A Power Sensor.



Figure 1-1 Keysight E8486A power sensor

Description

The Keysight E8486A is a diode-based power sensor that measures at frequencies from 60 GHz to 90 GHz. It comes in two options: the Option 100 and the Option 200:

Option	Description
100	<ul style="list-style-type: none"> - measures power levels in a range from -30 dBm to +20 dBm - does not come with EEPROM (Electrically Erasable Programmable Read-Only Memory)
200	<ul style="list-style-type: none"> - measures power levels in a range from -60 dBm to +20 dBm - comes with EEPROM (Electrically Erasable Programmable Read-Only Memory)

Further specifications for the power sensor can be found in [Chapter 3](#).

The power is determined from the AC voltage developed across the waveguide termination from the microwave source. The diodes convert this AC voltage to DC.

The DC voltage produced is proportional to the square of the AC voltage. The DC voltage thus generated is a very low-level voltage and requires amplification before it can be transferred via the sensor cable to the power meter.

The amplification is provided by an input amplifier assembly which consists of a chopper (sampling gate) and an input amplifier. The DC voltage is routed to the chopper circuit which converts the low-level DC voltage to an AC voltage. The chopper is driven by a square wave generated by the power meter. The result is an AC output signal proportional to the DC input. The AC signal is then amplified by the input amplifier. The relatively high-level AC signal output can now be routed by standard cables.

The Keysight E8486A power sensor is compatible with all Keysight power meters:

- EPM (E.g. Keysight N1913/14A, Keysight E4418/19B)
- EPM-P (E.g. Keysight E4416/17A)
- P-Series (E.g. Keysight N1911/12A)

Keysight recommends the use of the following cables with the Keysight E8486A power sensor, if you use the following power meters:

Power meter model	Recommended cables
N1911/12A	<ul style="list-style-type: none"> - 11730A (1.5 m) - 11730E (30.5 m) - 11730F (61 m) - E9288A (1.5 m) - N1917A (1.5 m)
N1913/14A	<ul style="list-style-type: none"> - 11730A (1.5 m) - 11730E (30.5 m) - 11730F (61 m) - E9288A (1.5 m)

In application, the power sensor is connected between a microwave source and a compatible power meter. The power sensor provides a matched load for the microwave source for very low SWR. The power meter indicates the power dissipated in the load in μW , mW, or in dBm.

CAUTION

Do not disassemble the power sensor. The power sensor is extremely static-sensitive and can be easily damaged.

Standard shipped items

The list of items shipped together with your power sensor is as follows:

- Hex ball driver (8710-0523)
- Flange screws (1390-0671)
- E8486A User's and Service Guide, English (E8486-90001)

Refer to [Figure 1-2](#) for a visual check of the accessories that should be included with your power sensor.

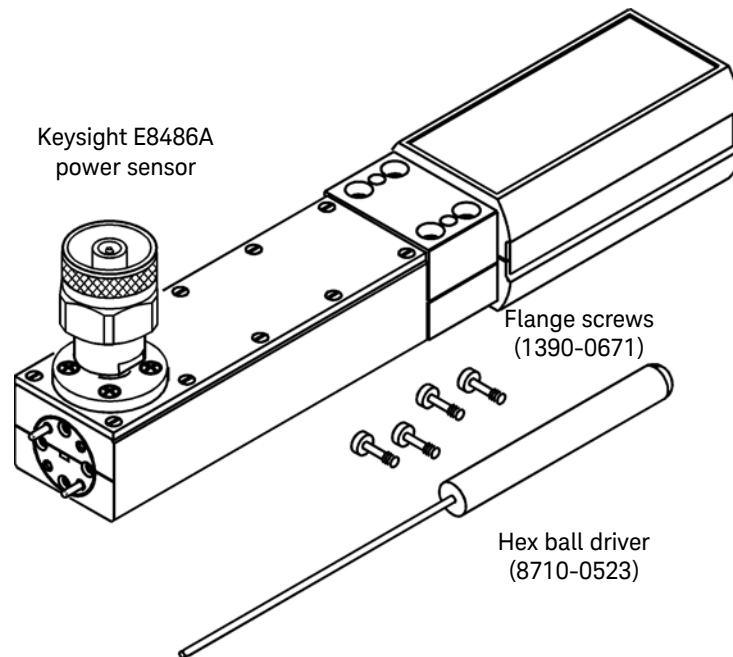


Figure 1-2 Keysight E8486A power sensor with accessories and hardware

Warranty

The power sensor is warranted and certified as indicated on the last page of this manual. Do not open the power sensor. Any attempt to disassemble the power sensor will void the warranty.

Recommended Calibration Interval

Keysight Technologies recommends a one-year calibration cycle for the E8486A power sensor.

Installation

Initial Inspection

Inspect the shipping container for damage. If the shipping container or packaging material is damaged, it should be kept until the contents of the shipment have been checked mechanically and electrically. If there is mechanical damage or if the instrument does not pass the performance tests, notify the nearest Keysight Technologies office. Keep the damaged shipping materials (if any) for inspection by the carrier and a Keysight Technologies representative.

Interconnections and calibration

The Keysight E8486A power sensor has two inputs: a Type-N connector and a waveguide flange. During calibration, the Type-N connector is connected to the calibration port of the power meter. During measurement, the waveguide flange is connected to the device under test.

CAUTION

Connect the power sensor by turning only the nut on the Type-N connector. Damage can occur if torque is applied to the power sensor body.

The waveguide flanges can be damaged if the flange screws are over-tightened. Do not fully tighten one flange screw without tightening the one opposite. First insert screws and tighten until finger tight. If you are using the hex ball driver, hold the driver between thumb and forefinger while incrementally tightening screws opposite each other until reaching a maximum torque of $0.42 \text{ N} \times \text{m}$.

Use the protective packaging provided with the power sensor to protect it from dirt and mechanical damage whenever it is not in use. Any burrs, dents, or dirt on the flange or waveguide surface will increase the SWR and change the Cal Factor.

Refer to the power meter user's guide for interconnecting instructions.

Storage and Shipment

Original packaging

Containers and materials identical to those used in factory packaging are available through Keysight Technologies offices. If the instrument is being returned to Keysight Technologies for servicing, attach a tag indicating the type of service required, return address, model number, and serial number. Also, mark the container FRAGILE to assure careful handling. In any correspondence, refer to the instrument by model number and serial number.

THIS PAGE HAS BEEN INTENTIONALLY LEFT BLANK.

2 General Operation

Operation **24**

This chapter explains the various functions available in the E8486A.

Operation

Operating precautions

WARNING

BEFORE CONNECTING THE POWER SENSOR TO OTHER INSTRUMENTS, ensure that all instruments are connected to the protective (earth) ground. Any interruption of the protective earth grounding will cause a potential shock hazard that could result in personal injury and cause damage to the power sensor.

CAUTION

If the following energy and power levels are exceeded, the power meter system may be damaged.

- Maximum Average Power:
 - 200 mW
 - Maximum Peak Power:
 - Option 100: 40 W ^[a]
 - Option 200: 1 W ^[a]
-

[a] 10 μ s pulse, 0.5% duty cycle or equivalent such that 200 mW maximum average power and 40 W/1 W peak power are not exceeded.

The power sensor has a precision machined E-band waveguide interface. The size and position of the aperture, the alignment holes and pins, and the flatness of the mating faces are all very tightly controlled. Refer to [Figure 2-1](#).

In order to get the best possible measurement results the mating part must be of similar quality. Connection to an E-band waveguide component in which the interface dimensions are not accurately controlled can lead to increased SWR, inaccurate Cal Factor correction, and/or repeatability problems. In addition, connections to a well-manufactured but dirty part can lead to any of the above measurement problems. Conversely, always ensuring connections to parts with clean, high-quality waveguide interfaces will lead to accurate power measurements over the life of the product.

CAUTION

Connection to an E-band waveguide component with a dirty or damaged flange (for example loose particulates, raised metal burrs, or bent alignment pins) can damage the precision interface of the power sensor. Always inspect and clean the mating part prior to connection.

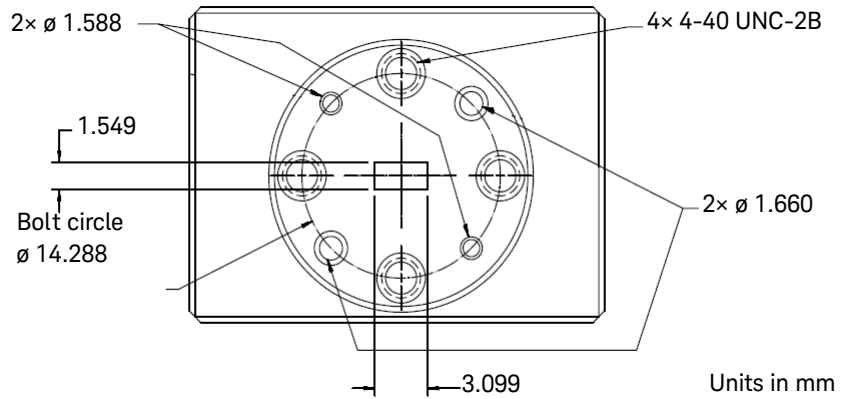


Figure 2-1 Precision E-band Interface on the front of the power sensor

Use the protective packaging provided with the sensor to protect the waveguide connector from dirt and mechanical damage whenever it is not in use. Any burn, dents, or dirt on the flange or waveguide surface will increase the SWR and change the Cal Factor. The Type-N connector plastic bead deteriorates when contacted by any chlorinated or aromatic hydrocarbons such as acetone, trichlorethylene, carbon tetrachloride, benzene, etc. Clean the connector face with a cotton swab saturated in isopropyl alcohol.

Power meter calibrations

The procedure for calibration may be different for each compatible power meter. Follow the calibration directions given in your power meter user's guide.

Power measurements

The Option 100 does not come with EEPROM, so the calibration factors need to be manually pre-entered into the power meter to correct for varying responses at different frequencies. The Option 200 comes with EEPROM and with the calibration factors pre-entered as well. You can input the frequency and the corresponding calibration factor will be applied. This will automatically correct the power readings.

Operating instructions

To operate the power sensor, refer to the operating instructions in the power meter user's guide.

NOTE

If having an open RF connection on your system is a concern, terminate the sensor Type-N calibration port with a 50 Ω load.

Modulation effects

When measuring microwave sources that are modulated at the chopper frequency (nominally 217 Hz for the Option 100 and 436 Hz for the Option 200 for both the Keysight E4418A/B and Keysight E4419A/B), or at the first or second harmonic or submultiples of the chopper frequency, beat notes will occur. Unless the modulation rate is exactly the chopper frequency, these beat notes can usually be eliminated by averaging since the amplitudes are centered on the actual power. These frequencies may also be avoided by changing the modulation frequency slightly, if possible.

If you are using a Keysight E4418A/B or Keysight E4419A/B Power Meter, a filter setting of 128 will minimize most beat note interference.

Linearity correction

For most Keysight 8480 series power sensors the correct (A type or D type) linearity correction table is automatically selected. However, when you use the Keysight E8486A Power Sensor with Keysight EPM power meters, you must override the automatic selection and select the D-type correction. This procedure provides optimum accuracy when making power measurements of more than +10 dBm. Subsequent connection of another A-type sensor will result in a warning message stating “Linearity Override May be Required”.

To select the linearity type to be applied, press the following buttons in sequence:

Keysight E4418B

System Inputs > Tables > Linearity > ATyp

System Inputs > Tables > Linearity > DTyp

Keysight E4419B

System Inputs > Tables > A Linearity > ATyp

System Inputs > Tables > A Linearity > DTyp

System Inputs > Tables > B Linearity > ATyp

System Inputs > Tables > B Linearity > DTyp

THIS PAGE HAS BEEN INTENTIONALLY LEFT BLANK.

3 Characteristics and Specifications

For the characteristics and specifications of the E8486A Power Sensor, refer to the datasheet at

<http://literature.cdn.keysight.com/litweb/pdf/5991-3676EN.pdf>.

THIS PAGE HAS BEEN INTENTIONALLY LEFT BLANK.

4 Service

Performance Tests	32
Replaceable Parts	33

This chapter outlines the performance tests and service information related to the E8486A.

Performance Tests

This section does not establish SWR test procedures since there are several test methods and different equipment available for testing the SWR or the reflection coefficient. Therefore, the actual accuracy of the test equipment, all source match corrections, and all harmonics must be accounted for when measuring against instrument specifications to determine a pass or fail condition.

Below is a list of equipment used for performance verification:

- Millimeter-wave network analyzer (Keysight N5251A)
- WR-12 calibration kit (OML V12CAL Series)
- Waveguide adapter (Flann Microwave Series 373-W)

The performance test procedure is as shown below:

- 1** Turn on the network analyzer and allow it to warm up for approximately an hour.
- 2** Set the start and stop frequency of the network analyzer to 60 GHz and 90 GHz respectively.
- 3** Perform a one-port calibration on the network analyzer using the calibration kit.
- 4** Connect the Keysight E8486A Power Sensor to the test port of the network analyzer upon the completion of the calibration.
- 5** Compare the measured results to the SWR specifications in [Chapter 3](#).

NOTE

If the verification fails, refer to [“Repair and adjustments”](#) on page 33.

To check the calibration factor, the power sensor should be compared with another recently calibrated power sensor. The source should be leveled with a reference coupler that has a low SWR and a high directivity to monitor or level the incident power (which should be less than -30 dBm).

For reflection measurements, refer to Application Note 183 “High Frequency Swept Measurements.” For calibration factor and error analysis, referring to Application Note 64-1 “Fundamentals of RF and Microwave Power Measurements.” is recommended.

Replaceable Parts

The hex ball driver, the flange covers, and the hardware are the only replaceable parts. The part numbers are listed in [Figure 1-2](#). A listing of Keysight sales and service offices is located at the end of this manual.

Repair and adjustments

Do not attempt to repair or adjust the power sensor. Due to the extreme static sensitivity of the power sensor, customer repair is not recommended. If your power sensor should fail or need calibration, return it to Keysight Technologies.

CAUTION

Do not disassemble the power sensor. The power sensor is extremely static sensitive and can be easily damaged. If the power sensor shows evidence of attempted customer repair, the warranty may be voided.

THIS PAGE HAS BEEN INTENTIONALLY LEFT BLANK.



This information is subject to change without notice. Always refer to the English version at the Keysight website for the latest revision.

© Keysight Technologies 2013-2020
Edition 5, October 22, 2020

Printed in Malaysia



E8486-90001

www.keysight.com