

INSTRUCTION MANUAL

Digital Insulation Resistance Tester

- 125V, 250V, 500V, AND 1000V TEST VOLTAGES
- INSULATION RESISTANCE RANGE UP TO 4000 MΩ
- MEASURES 1000V AC/DC
- LOW RESISTANCE
- CONTINUITY



1000V \approx
4000 Ω



ESPAÑOL pg. 13

FRANÇAIS p. 25



Intertek
5000573



GENERAL SPECIFICATIONS

The Klein Tools ET600 is a digital tester with four voltage ranges for insulation resistance measurements, and is also a True Root-Mean-Squared (TRMS) tester that measures AC/DC voltage, electrical resistance, and continuity.

- **Operating Altitude:** 6562 ft. (2000m)
- **Relative Humidity:** <80% non-condensing
- **Operating Temp:** 14°F to 122°F (-10°C to 50°C)
- **Storage Temp:** -4°F to 140°F (-30°C to 60°C)
- **Accuracy:** Values stated at 65°F to 83°F (18°C to 28°C)
- **Temp Coefficient:** 0.1 x (Quoted Accuracy) per °C above 28°C or below 18°C, corrections are required when ambient working temp is outside of Accuracy Temp range
- **Battery Life** with fresh alkaline batteries (EN61557):
Insulation test: Tester performs at least 137 insulation tests of 1000V DC into 1MΩ with a duty cycle of 5 seconds on and 25 seconds off.
Resistance measurement: Tester performs at least 265 resistance measurements of 1Ω with a duty cycle of 5 seconds on an 25 seconds off.
- **Dimensions:** 7.8" x 3.6" x 2.4" (200 x 92 x 62 mm)
- **Weight:** 24.6 oz. (700 g)
- **Calibration:** Accurate for one year
- **Standards:** Conforms to: UL STD 61010-1, 61010-2-030, 61010-2-033, 61557-1-2-4.
 Certified to: CSA STD C22.2 # 61010-1, 61010-2-030, 61010-2-033, 61557-1-2-4.
 IEC EN 61010-1, 61010-2-030, 61010-2-033, 61326-1, 61557-1-2-4.



Intertek
5000573

- **Pollution degree:** 2
- **Accuracy:** ±(% of reading + # of least significant digits)
- **Drop Protection:** 3.3 ft. (1 m)
- **Ingress Protection:** IP40*
*except test lead jacks, see **WARNINGS** section
- **Safety Rating:** CAT IV 600V, CAT III 1000V, Class 2,
Double insulation

CAT III: Measurement category III is applicable to test and measuring circuits connected to the distribution part of the building's low-voltage MAINS installation.

CAT IV: Measurement category IV is applicable to test and measuring circuits connected at the source of the building's low-voltage MAINS installation.

- **Electromagnetic Environment:** IEC EN 61326-1. This equipment meets requirements for use in basic and controlled electromagnetic environments like residential properties, business premises, and light-industrial locations.

Specifications subject to change.

ELECTRICAL SPECIFICATIONS

INSULATION RESISTANCE

Terminal Voltage	Range (MΩ)	Resolution (MΩ)	Accuracy	Test Current
125V (0% to +20%)	0.125 to 3.999	0.001	±(2% + 10 digits)	1mA load @ 125kΩ
	4.00 to 39.99	0.01	±(2% + 10 digits)	
	40.0 to 399.9	0.1	±(4% + 5 digits)	
	400 to 4000	1	±(5% + 5 digits)	
250V (0% to +20%)	0.250 to 3.999	0.001	±(2% + 15 digits)	1mA load @ 250kΩ
	4.00 to 39.99	0.01	±(2% + 10 digits)	
	40.0 to 399.9	0.1	±(3% + 5 digits)	
	400 to 4000	1	±(4% + 5 digits)	
500V (0% to +20%)	0.500 to 3.999	0.001	±(2% + 10 digits)	1mA load @ 500kΩ
	4.00 to 39.99	0.01	±(2% + 10 digits)	
	40.0 to 399.9	0.1	±(2% + 5 digits)	
	400 to 4000	1	±(4% + 5 digits)	
1000V (0% to +20%)	1.000 to 3.999	0.001	±(3% + 10 digits)	1mA load @ 1MΩ
	4.00 to 39.99	0.01	±(2% + 10 digits)	
	40.0 to 399.9	0.1	±(2% + 5 digits)	
	400 to 4000	1	±(4% + 5 digits)	

VOLTAGE

Function	Voltage	Resolution	Accuracy (50–60 Hz)
AC Voltage (V AC) (1000V Max.)	<400V	≤0.01V	±(1.0% + 5 digits)
	>400V	≤1V	±(1.2% + 5 digits)
DC Voltage (V DC) (1000V Max.)	<400V	≤0.01V	±(0.9% + 3 digits)
	>400V	≤1V	±(1.0% + 3 digits)

Input Impedance: 10MΩ **Frequency Range:** 50 to 60Hz
Maximum Input: 1000V DC or 1000V AC RMS

EARTH-BOND RESISTANCE

Function	Resolution	Accuracy
40.00Ω	0.1Ω	±(0.5% + 2 digits)
400.0Ω	0.1Ω	±(1.2% + 5 digits)
4000Ω	1Ω	±(2.5% + 8 digits)

Maximum Input: 300V DC or 300V AC RMS

CONTINUITY BEEPER: Audible signal when resistance <30Ω,
short circuit >200mA, open circuit voltage 5.5V DC

AUTO POWER-OFF: after 15 minutes of inactivity

ZERO ADJUSTMENT: Automatic

SAMPLING FREQUENCY: 3 times per second

OVERLOAD: "OL" indicated on display, 1000V RMS in voltage settings,
300V RMS in all other settings

POLARITY: "-" on display indicates negative polarity

DISPLAY: 4000 Count LCD with Dual readout

OPERATIONAL UNCERTAINTY

INTRINSIC UNCERTAINTY (EN61557)

Code	Measurement Intrinsic	Operating Uncertainty	Maximum Uncertainty*
A	Insulation Resistance	See ELECTRICAL SPECIFICATIONS	<30%
A	Earth-Bond Resistance	See ELECTRICAL SPECIFICATIONS	<30%

*Indicates maximum amount allowable by standard

INFLUENCE VARIABLES AND UNCERTAINTIES (EN61557)

Code	Variable	Range	% Within Range
E1	Position	+/- 90°	<5%
E2	Supply voltage	7.21 to 9.13V	<5%
E3	Temperature	0 to 35°C	<5%

⚠ WARNINGS

To ensure safe operation and service of the meter, follow these instructions. Failure to observe these warnings can result in severe injury or death.

- Before each use, verify meter operation by measuring a known voltage.
- **DO NOT** use the meter on a circuit with voltages that exceed the category based rating of this meter.
- **DO NOT** use the meter during electrical storms or in wet weather.
- **DO NOT** use the meter or test leads if they appear to be damaged.
- Use **ONLY** with CAT IV rated test leads.
- Ensure meter leads are fully seated, and keep fingers away from the metal probe contacts when making measurements.
- **DO NOT** open the meter to replace batteries while the probes are connected.
- Use caution when working with voltages above 25V AC RMS or 60V DC. Such voltages pose a shock hazard.
- To avoid false readings that can lead to electrical shock, replace batteries when a low battery indicator appears.
- **DO NOT** attempt to measure resistance or continuity on a live circuit.
- Make sure the circuit under test does not include components that can be damaged by 1000VDC; such devices include power factor correction capacitors, low voltage mineral insulated cables, electronic light dimmers, and ballast/starters for fluorescent lamps.
- **DO NOT** perform insulation resistance testing or earth-bond resistance testing if voltage is present on parts of an installation or equipment under test. Circuits under test (except for voltage measurements) must be de-energized and isolated before connections are made.
- Circuit connections must not be touched during a test. Accidental contact with conductors could result in electrical shock.
- After insulation resistance testing, make sure the circuit is fully discharged before removing test leads. LCD should read close to zero volts.
- Always adhere to local and national safety codes. Use personal protective equipment to prevent shock and arc blast injury where hazardous live conductors are exposed.
- Meter is IP40 dust & water resistant, except for the test lead jacks. Following any contact with water, thoroughly dry meter and test lead jacks prior to subsequent use.

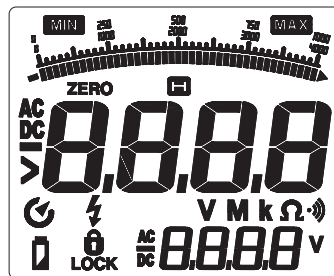
SYMBOLS ON METER

- V~** AC Voltage
- V---** DC Voltage
- Ω** Resistance (Ohms)
- ⓘ** Audible Continuity
- ⎓** Fuse (with rating below symbol)
- Double Insulated Class II
- ⚠** Warning or Caution
To ensure safe operation and service of this meter, follow all warnings and instructions detailed in this manual.
- ⚡** Risk of Electrical Shock
Improper use of this meter can lead to risk of electrical shock. Follow all warnings and instructions detailed in this manual.

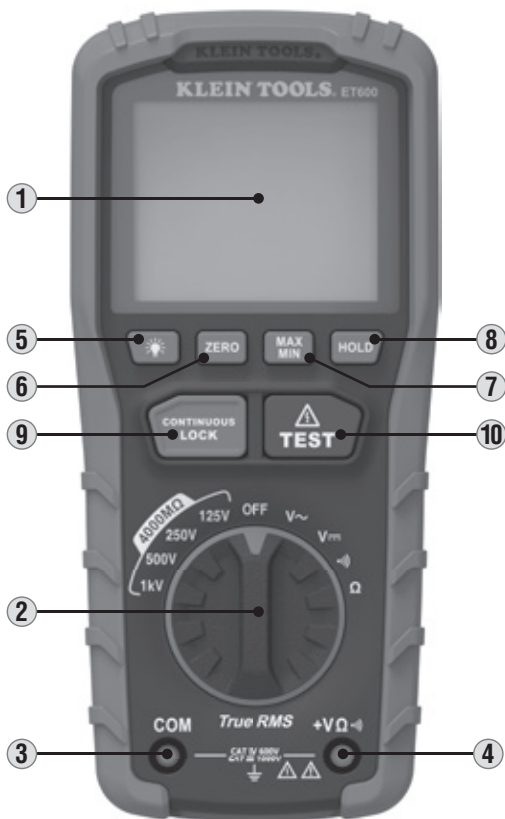
SYMBOLS ON LCD

- H** Data Hold
- AC** AC (Alternating Current)
- B** Low Battery
- MAX** Maximum Value
- M** Mega (value x 10⁶)
- V** Volts
- ⚡** Test Voltage
- ▬** Bar Graph
- >** Greater Than
- ⓘ** Audible Continuity
- DC** DC (Direct Current)
- ⏻** Auto Power Off
- MIN** Minimum Value
- k** kilo (value x 10³)
- Ω** Ohms
- LOCK** Test Lock
- Negative
- ZERO** Zero Adjustment

NOTE: The bar graph provides a visual indication of the measurement value, showing voltage for VAC / VDC, and showing resistance for insulation resistance testing.



FEATURE DETAILS



NOTE: There are no user-serviceable parts inside meter.

- | | |
|-----------------------------|---------------------|
| 1. 4000 count LCD Display | 6. "ZERO" Button |
| 2. Function Selector Switch | 7. "MAX/MIN" Button |
| 3. "COM" Jack | 8. "HOLD" Button |
| 4. "V Ω →" Jack | 9. "LOCK" Button |
| 5. Backlight Button | 10. "TEST" Button |

FUNCTION BUTTONS

ON/OFF

To Power ON the meter rotate the Function Selector switch ② from the OFF setting to any measurement setting. To Power OFF the meter, rotate the Function Selector switch to the OFF setting. **NOTE:** The meter will automatically power OFF after 15 minutes of inactivity. To disable auto-power off, press and hold the "HOLD" button ⑧ while powering on.

"BACKLIGHT BUTTON" ⑤

Press and hold the Backlight button for more than one second to turn the backlight on or off. The backlight will automatically turn off after approximately 3 minutes.

ZERO BUTTON ⑥

Press the zero button for automatic zero adjustment for voltage and resistance.

"MAX/MIN" BUTTON ⑦

When the "MAX/MIN" button is pressed, the meter keeps track of the minimum and maximum value of the measurement for VAC, VDC, continuity, and ohms. The first press of the MAX/MIN button displays the MAX value, the second press displays the MIN value. To return to normal measuring mode, press and hold the "MAX/MIN" button for more than one second.

"HOLD" (DATA HOLD) BUTTON ⑧

Press the "HOLD" button to hold the measurement on the display. Press again to release the display to return to live measuring (not for insulation resistance testing).

LOCK BUTTON ⑨

For hands-free insulation resistance testing, use the Lock button feature. With the test leads connected to the equipment under test, press the Lock button for two seconds, and then press the TEST button to begin the test. The lock icon will appear on the display and the meter will beep to indicate it is in lock mode. Press the Test button to end the test.

TEST BUTTON ⑩

With the test leads connected to the equipment under test, press and hold the TEST button to begin an insulation resistance test. The lower-right display will show test voltage, and the main display will show the resistance.

NOTE: Make sure the circuit under test does not include components that can be damaged by 1000VDC; such devices include power factor correction capacitors, low voltage mineral insulated cables, electronic light dimmers, and ballast/starters for fluorescent lamps.

OPERATING INSTRUCTIONS

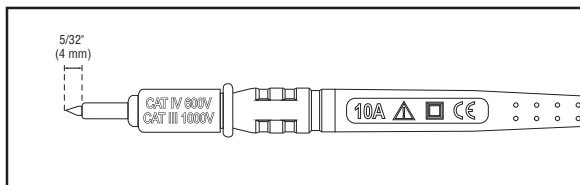
CONNECTING TEST LEADS

Do not test if leads are improperly seated. Results could cause intermittent display readings. To ensure proper connection, firmly press leads into the input jack completely.



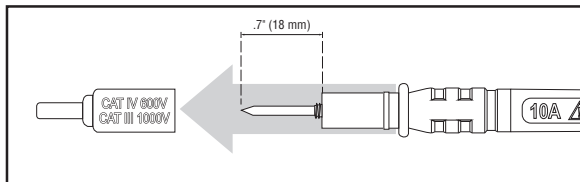
TESTING IN CAT III / CAT IV MEASUREMENT LOCATIONS

Ensure the test lead shield is pressed firmly in place. Failure to use the CAT III / CAT IV shield increases arc-flash risk.



TESTING IN CAT II MEASUREMENT LOCATIONS

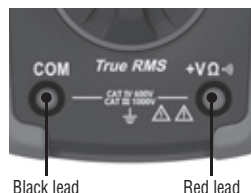
CAT III / CAT IV shields may be removed for CAT II locations. This will allow testing on recessed conductors such as standard wall outlets. Take care not to lose the shields.



OPERATING INSTRUCTIONS

INSULATION RESISTANCE MEASUREMENTS

1. Insert RED test lead into V Ω jack ④, and BLACK test lead into COM jack ③, and rotate the function selector to the desired test voltage. Choose from 125V, 250V, 500V, or 1000V based on the compatibility with the device tested. **NOTE:** *Disconnect the circuit under test and isolate it from any stray resistance. Insulation test should only be performed on de-energized circuits.*



2. Connect the Red and Black leads to the circuit under test. If there is a voltage in the circuit, a constant beep will sound and the Test Voltage symbol ⚡ will be displayed. *Disconnect the circuit to proceed.*
3. Press and hold the TEST button to begin test. The lower right display shows test voltage, and the main display shows the resistance.
4. The measured insulation resistance is displayed on the main display in M Ω . Allow the reading to stabilize before recording the measurement. Turning the function switch, at any time during the insulation test will end the testing process.
5. The circuit will discharge through the meter. Keep the test leads connected until the circuit is completely discharged and the lower right display shows near zero volts.

NOTE: *Measurements can be adversely affected by impedances of additional operating circuits connected in parallel or by transient currents.*

LOCK FUNCTION

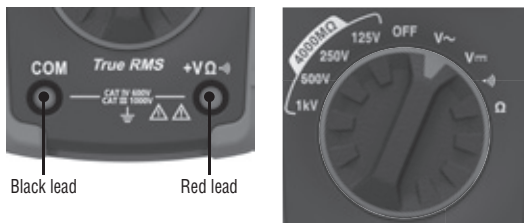
For hands free testing, use the Lock feature.

With the test leads connected to the equipment under test, press the "LOCK" button ⑨, then press the "TEST" button ⑩ to begin the test. The lock icon will appear on the display. The meter will beep to indicate it is in lock mode. To end the test at any time during the process, press the "TEST" button ⑩, or turn the function switch ② to any other setting.

OPERATING INSTRUCTIONS

AC/DC VOLTAGE MEASUREMENTS

1. Insert RED test lead into V Ω jack ④, and BLACK test lead into COM jack ③, and rotate the function selector to the AC Voltage $V\sim$ or DC Voltage $V\text{---}$ setting.



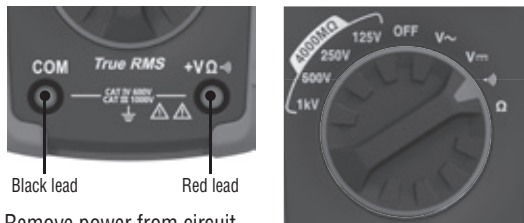
2. Apply test leads to the circuit to be tested to measure voltage.

NOTE: When measuring DC voltage, the main display shows the voltage measurement, the secondary display shows battery voltage.

NOTE: When measuring DC voltage, if "-" appears on the LCD, the test leads are being applied to the circuit in reverse polarity. Swap the position of the leads to correct this.

CONTINUITY

1. Insert RED test lead into V Ω jack ④, and BLACK test lead into COM jack ③, and rotate function selector switch ② to the Continuity \Rightarrow setting.



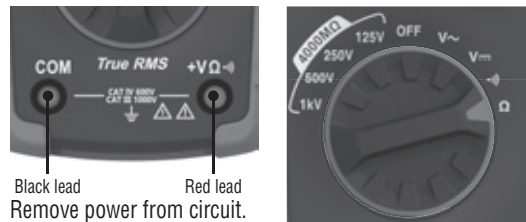
2. Remove power from circuit.
3. Test for continuity by connecting conductor or circuit with test leads. If resistance is measured less than 40 Ω , an audible signal will sound and display will show a resistance value indicating continuity. If circuit is open, display will show "OL".

⚠ DO NOT attempt to measure continuity on a live circuit.

OPERATING INSTRUCTIONS

RESISTANCE MEASUREMENTS

1. Insert RED test lead into V Ω jack ④, and BLACK test lead into COM jack ③, and rotate function selector switch ② to the Resistance Ω setting.



2. Remove power from circuit.
3. Measure resistance by connecting test leads to circuit. The meter will auto-range to display the measurement in the most appropriate range.

NOTE: When in a Resistance setting and the test leads are open (not connected across a resistor), or when a failed resistor is under test, the display will indicate O.L. This is normal.

⚠ DO NOT attempt to measure resistance on a live circuit.

MAINTENANCE

BATTERY REPLACEMENT

When B indicator is displayed on LCD, batteries must be replaced.

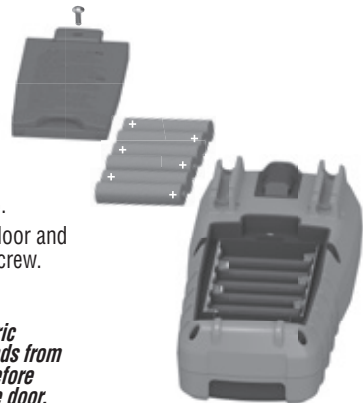
1. Remove screw from battery/fuse door.
2. Replace 6 x 1.5V AA batteries (note proper polarity).
3. Replace battery/fuse door and fasten securely with screw.

FUSE REPLACEMENT

1. Remove screw from battery/fuse door.
2. Replace blown fuse with 6.3 x 31.7 mm, 500mA/1000V fast-blow 10kA fuse (Klein Cat. No. 69035).
3. Replace battery/fuse door and fasten securely with screw.

⚠ To avoid risk of electric shock, disconnect leads from any voltage source before removing battery/fuse door.

⚠ To avoid risk of electric shock, do not operate meter while battery/fuse door is removed.



CLEANING

Be sure meter is turned off and wipe with a clean, dry lint-free cloth. **Do not use abrasive cleaners or solvents.**

STORAGE

Remove the batteries when meter is not in use for a prolonged period of time. Do not expose to high temperatures or humidity. After a period of storage in extreme conditions exceeding the limits mentioned in the General Specifications section, allow the meter to return to normal operating conditions before using.

WARRANTY

www.kleintools.com/warranty

DISPOSAL / RECYCLE



Do not place equipment and its accessories in the trash. Items must be properly disposed of in accordance with local regulations. Please see www.epa.gov or www.ecycle.org for additional information.

CUSTOMER SERVICE

KLEIN TOOLS, INC.
450 Bond Street
Lincolnshire, IL 60069
1-877-775-5346

customerservice@kleintools.com
www.kleintools.com

MANUAL DE INSTRUCCIONES

Probador digital de resistencia de aislamiento

- **VOLTAJES DE PRUEBA DE 125 V, 250 V, 500 V Y 1000 V**
- **RANGO DE RESISTENCIA DE AISLAMIENTO HASTA 4000 MΩ**
- **MIDE 1000 V CA/CD**
- **BAJA RESISTENCIA**
- **CONTINUIDAD**



1 m

1000 V \approx
4000 Ω



Intertek
5000573



ESPECIFICACIONES GENERALES

El ET600 de Klein Tools es un probador digital con cuatro rangos de voltaje para la medición de resistencia de aislamiento, y también es un probador de media cuadrática real (TRMS) que mide voltaje CA/CD, resistencia eléctrica y continuidad.

- **Altitud de funcionamiento:** 6562' (2000 m)
- **Humedad relativa:** <80 %, sin condensación
- **Temperatura de funcionamiento:** 14 °F a 122 °F (-10 °C a 50 °C)
- **Temperatura de almacenamiento:** -4 °F a 140 °F (-30 °C a 60 °C)
- **Precisión:** Valores establecidos según una temperatura ambiente de 65 °F a 83 °F (18 °C a 28 °C)
- **Coefficiente de temperatura:** 0,1 × (precisión indicada) por cada °C por encima de los 28 °C o por debajo de los 18 °C, es necesario realizar correcciones si la temperatura del ambiente de trabajo se encuentra fuera del rango de precisión de temperatura
- **Vida útil de la batería** con baterías alcalinas nuevas (EN61557):
Prueba de aislamiento: El probador realiza al menos 137 pruebas de aislamiento de 1000 V CD en 1 MΩ con un ciclo de servicio de 5 s por encendido y 25 s por apagado.
Resistencia de puesta a tierra: El probador realiza al menos 265 mediciones de resistencia de 1Ω con un ciclo de servicio de 5 s por encendido y 25 s por apagado.
- **Dimensiones:** 7,8" × 3,6" × 2,4" (200 × 92 × 62 mm)
- **Peso:** 24,6 oz (700 g)
- **Calibración:** precisa durante un año
- **Normas:** Cumple con: UL 61010-1, 61010-2-030 61010-2-033, 61557-1-2-4.
 Certificado según: CSA STD C22.2 n.º 61010-1, 61010-2-030, 61010-2-033, 61557-1-2-4, IEC EN 61010-1, 61010-2-030, 61010-2-033, 61326-1, 61557-1-2-4.



Intertek
5000573

- **Grado de contaminación:** 2
- **Precisión:** ± (% de la medición + cantidad de dígitos menos significativos)
- **Protección ante caídas:** 3,3' (1 m)
- **Protección de ingreso:** IP40*
 *excepto para los conectores de cables de prueba, consulte la sección **ADVERTENCIAS**
- **Clasificación de seguridad:** CAT IV 600 V, CAT III 1000 V, clase 2, Doble aislamiento

CAT III: la categoría III de medición es aplicable a los circuitos de medición y prueba conectados a la distribución de la instalación de red de bajo voltaje de un edificio.

CAT IV: la categoría IV de medición es aplicable a los circuitos de medición y prueba conectados a la fuente de la instalación de red de bajo voltaje de un edificio.

- **Entorno electromagnético:** IEC EN 61326-1. Este equipo cumple con los requisitos para su uso en entornos electromagnéticos básicos y controlados, como propiedades residenciales, establecimientos comerciales e instalaciones de industria ligera.

Especificaciones sujetas a cambios

ESPECIFICACIONES ELÉCTRICAS

RESISTENCIA DE AISLAMIENTO

Voltaje terminal	Rango (MΩ)	Resolución (MΩ)	Precisión	Corriente de prueba
125 V (0 % a +20 %)	0,125 a 3,999	0,001	± (2% + 10 dígitos)	Carga de 1 mA a 125 kΩ
	4,00 a 39,99	0,01	± (2% + 10 dígitos)	
	40,0 a 399,9	0,1	± (4% + 5 dígitos)	
	400 a 4000	1	± (5% + 5 dígitos)	
250 V (0 % a +20 %)	0,250 a 3,999	0,001	± (2% + 15 dígitos)	Carga de 1 mA a 250 kΩ
	4,00 a 39,99	0,01	± (2% + 10 dígitos)	
	40,0 a 399,9	0,1	± (3% + 5 dígitos)	
	400 a 4000	1	± (4% + 5 dígitos)	
500V (0 % a +20 %)	0,500 a 3,999	0,001	± (2% + 10 dígitos)	Carga de 1 mA a 500 kΩ
	4,00 a 39,99	0,01	± (2% + 10 dígitos)	
	40,0 a 399,9	0,1	± (2% + 5 dígitos)	
	400 a 4000	1	± (4% + 5 dígitos)	
1000 V (0 % a +20 %)	1,000 a 3,999	0,001	± (3% + 10 dígitos)	Carga de 1 mA a 1 MΩ
	4,00 a 39,99	0,01	± (2% + 10 dígitos)	
	40,0 a 399,9	0,1	± (2% + 5 dígitos)	
	400 a 4000	1	± (4% + 5 dígitos)	

VOLTAJE

Función	Voltaje	Resolución	Precisión (50 Hz-60 Hz)
Voltaje CA (V CA) (Máx. 1000 V)	<400 V	≤0,01 V	± (1,0 % + 5 dígitos)
	>400 V	≤1 V	± (1,2 % + 5 dígitos)
Voltaje CD (V CD) (Máx. 1000 V)	<400 V	≤0,01 V	± (0,9 % + 3 dígitos)
	<400 V	≤1 V	± (1,0 % + 3 dígitos)

Impedancia de entrada: 10 MΩ **Rango de frecuencia:** 50 a 60 Hz
Entrada máxima: 1000 V CD o 1000 V CA RMS

RESISTENCIA DE PUESTA A TIERRA

Función	Resolución	Precisión
40,00 Ω	0,1 Ω	± (0,5 % + 2 dígitos)
400,0 Ω	0,1 Ω	± (1,2 % + 5 dígitos)
4000 Ω	1 Ω	± (2,5 % + 8 dígitos)

Entrada máxima: 300 V CD o 300 V CA RMS

INDICADOR SONORO DE CONTINUIDAD: señal audible cuando la resistencia <30 Ω, cortocircuito >200 mA, voltaje de circuito abierto 5,5 V DC

APAGADO AUTOMÁTICO: después de 15 minutos de inactividad

AJUSTE DE CERO: Automático

FRECUENCIA DE MUESTREO: 3 veces por segundo

SOBRECARGA: se indica "OL" en pantalla, 1000 V RMS en posiciones de voltaje, 300 V RMS en las demás posiciones

POLARIDAD: "-" en pantalla indica polaridad negativa

PANTALLA: LCD con recuento de 4000 y valores dobles

INCERTIDUMBRE DE FUNCIONAMIENTO

INCERTIDUMBRE INTRÍNSECA (EN61557)

Código	Medición intrínseca	Incetudumbre de funcionamiento	Incetudumbre máxima*
A	Resistencia de aislamiento	Vea las ESPECIFICACIONES ELÉCTRICAS	<30%
A	Resistencia de puesta a tierra	Vea las ESPECIFICACIONES ELÉCTRICAS	<30%

*Indica la cantidad máxima permitida por estándar

VARIABLES DE INFLUENCIA E INCERTIDUMBRES (EN61557)

Código	Variable	Rango	% dentro del rango
E1	Posición	+/- 90°	<5%
E2	Voltaje de suministro	7,21 a 9,13 V	<5%
E3	Temperatura	0 a 35°C	<5%

⚠ ADVERTENCIAS

Para garantizar un funcionamiento y servicio seguros del medidor, siga estas instrucciones. El incumplimiento de estas advertencias puede provocar lesiones graves o la muerte.

- Antes de cada uso, verifique el funcionamiento del medidor midiendo un voltaje.
- **NO** utilice el medidor en un circuito con voltajes que excedan la clasificación correspondiente a la categoría de este medidor.
- **NO** utilice el medidor durante tormentas eléctricas o en clima húmedo.
- **NO** utilice el medidor o los cables de prueba si en apariencia están dañados.
- Utilice el medidor **ÚNICAMENTE** con cables de prueba con clasificación CAT IV.
- Asegúrese de que los cables del medidor estén correctamente colocados y mantenga los dedos lejos de los contactos de la sonda de metal al realizar las mediciones.
- **NO** abra el medidor para reemplazar las baterías mientras las sondas están conectadas.
- Proceda con precaución cuando trabaje con voltajes superiores a 25 V CA RMS o 60 V CD. Esos voltajes implican un riesgo de choque eléctrico.
- Para evitar lecturas falsas que puedan provocar choques eléctricos, reemplace las baterías cuando aparezca el indicador de batería baja.
- **NO** intente medir resistencia o continuidad en un circuito activo.
- Asegúrese de que el circuito que desea probar no incluya componentes que puedan dañarse con 1000 V CD; dichos dispositivos incluyen capacitores para la corrección del factor de potencia, cables con aislamiento mineral para bajo voltaje, atenuadores de luz electrónicos y balastos/encendedores de lámparas fluorescentes.
- **NO** realice pruebas de resistencia de aislamiento o pruebas de resistencia de puesta a tierra si el voltaje está presente en una instalación o equipo que desea probar. Los circuitos que desea probar (excepto para mediciones de voltaje) deben estar desenergizados y aislados antes de realizar las conexiones.
- Las conexiones de circuitos no deben tocarse durante una prueba. El contacto accidental con conductores puede causar choque eléctrico.
- Después de la prueba de resistencia de aislamiento, asegúrese de que el circuito esté completamente descargado antes de retirar los cables de prueba. Las lecturas del LCD deben ser cercanas a los cero voltios.
- Cumpla siempre con los códigos de seguridad locales y nacionales. Utilice equipo de protección personal para prevenir lesiones por choque y arco eléctrico en los lugares donde haya conductores activos peligrosos expuestos.
- El medidor cuenta con calificación IP40 resistente al agua y al polvo, excepto los conectores de los cables de prueba. Después del contacto con el agua, seque minuciosamente el medidor y los conectores de cables de prueba antes de utilizarlo nuevamente.

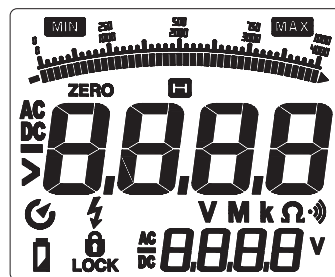
SÍMBOLOS DEL MEDIDOR

	Voltaje CA		Voltaje CD
	Resistencia (ohmios)		Indicador de continuidad audible
	Fusible (con su clasificación debajo del símbolo)		Doble aislamiento Clase II
	Advertencia o precaución		
	Para garantizar un funcionamiento y servicio seguros del medidor, respete todas las advertencias y siga las instrucciones descritas en este manual.		
	Riesgo de choque eléctrico		
	El uso incorrecto de este medidor puede dar lugar a riesgos de choque eléctrico. Respete todas las advertencias y siga las instrucciones descritas en este manual.		

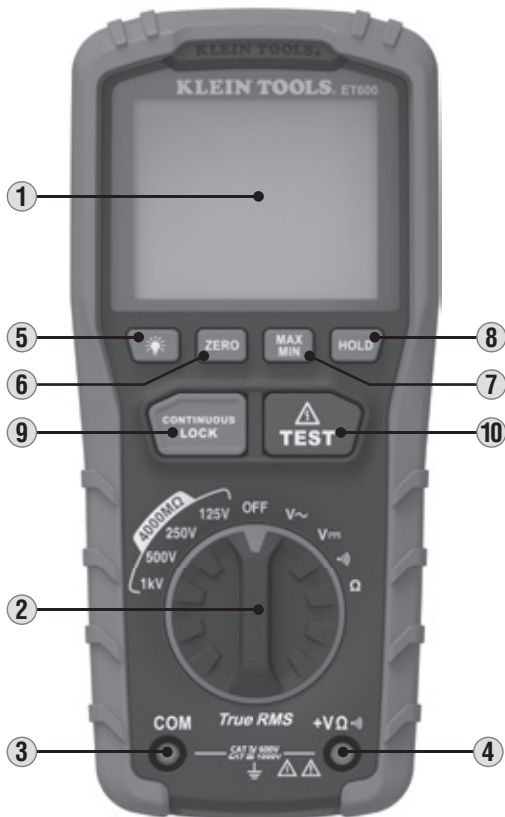
SÍMBOLOS DE LA PANTALLA LCD

	Retención de datos		Indicador de continuidad audible
	CA (corriente alterna)		CD (corriente directa)
	Batería baja		Función de apagado automático
	Valor máximo		Valor mínimo
	Mega (valor x 10 ⁶)		kilo (valor x 10 ³)
	Voltios		Ohmios
	Voltaje de prueba		Bloqueo de prueba
	Gráfico de barras		Negativo
	Mayor que		Ajuste de cero

NOTA: el gráfico de barras proporciona una indicación visual del valor de la medición, mostrando voltaje para V CA/V CD, y resistencia para la prueba de resistencia de aislamiento.



DETALLES DE LAS CARACTERÍSTICAS



NOTA: el medidor no contiene en su interior piezas que el usuario pueda reparar.

- | | |
|--------------------------------------|---|
| 1. Pantalla LCD con recuento de 4000 | 6. Botón "ZERO" (Cero) |
| 2. Perilla selectora de función | 7. Botón "MAX/MIN" (Máximo/Mínimo) |
| 3. Conector "COM" (Común) | 8. Botón "HOLD" (Retención de datos) |
| 4. Conector "V Ω" (V) | 9. Botón "CONTINUOUS LOCK" (Bloqueo continuo) |
| 5. Botón de retroiluminación | 10. Botón "TEST" (Probar) |

BOTONES DE FUNCIONES

ENCENDIDO/APAGADO

Para encender el medidor, gire la perilla selectora de función (2) a la posición OFF (Apagado) a cualquier posición de medición. Para apagar el medidor, gire la perilla selectora de función a la posición "OFF" (Apagado). **NOTA:** El medidor se apagará automáticamente después de 15 minutos de inactividad. Para desactivar la función de apagado automático, mantenga presionado el botón "HOLD" (Retener) (8) durante el encendido.

BOTÓN DE RETROILUMINACIÓN (5)

Mantenga presionado el botón de retroiluminación durante más de un segundo para encender o apagar la retroiluminación. La retroiluminación se apagará automáticamente al cabo de aproximadamente 3 minutos.

BOTÓN "ZERO" (CERO) (6)

Presione el Botón "ZERO" (Cero) para ajustar automáticamente a cero para voltaje y resistencia.

BOTÓN "MAX/MIN" (MÁXIMO/MÍNIMO) (7)

Quando se presiona el botón "MAX/MIN" ("Máximo/Mínimo"), el medidor registra los valores mínimo y máximo de la medición de V CA, V CD, continuidad y ohmios. Si se presiona una vez el botón "MAX/MIN" ("Máximo/Mínimo"), se mostrará en pantalla el valor máximo; si se lo presiona una segunda vez, se visualizará el valor mínimo. Para volver al modo de medición normal, mantenga presionado el botón "MAX/MIN" ("Máximo/Mínimo") durante más de un segundo.

BOTÓN "HOLD" (RETENCIÓN DE DATOS) (8)

Presione el botón "HOLD" (Retención de datos) para retener la medición en la pantalla. Vuelva a presionarlo para que la pantalla regrese a la medición en curso (no para la prueba de resistencia de aislamiento).

BOTÓN "CONTINUOUS LOCK" (BLOQUEO CONTINUO) (9)

Para probar la resistencia de aislamiento con las manos libres, use la función del botón "CONTINUOUS LOCK" (Bloqueo continuo). Con los cables de prueba conectados al equipo que se desea probar, presione el botón "CONTINUOUS LOCK" (Bloqueo continuo) por dos segundos, y luego presione el botón "TEST" (Probar) para iniciar la prueba. El icono de bloqueo aparecerá en la pantalla y el medidor emitirá un pitido para indicar que está en modo bloqueo. Presione el botón "TEST" (Probar) para finalizar la prueba.

BOTÓN "TEST" (PROBAR) (10)

Con los cables de prueba conectados al equipo que se desea probar, mantenga presionado el botón "TEST" (Probar) para iniciar una prueba de resistencia de aislamiento. El voltaje de la prueba se mostrará en el lado inferior derecho de la pantalla, y la resistencia, en el centro de la pantalla.

NOTA: Asegúrese de que el circuito que desea probar no incluya componentes que puedan dañarse con 1000 V CD; dichos dispositivos incluyen capacitores para la corrección del factor de potencia, cables con aislamiento mineral para bajo voltaje, atenuadores de luz electrónicos y balastos/encendedores de lámparas fluorescentes.

INSTRUCCIONES DE FUNCIONAMIENTO

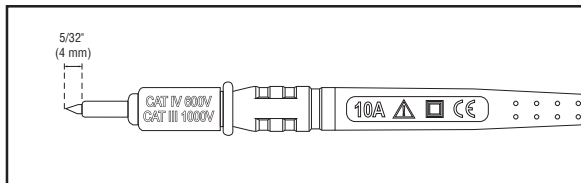
CONEXIÓN DE LOS CABLES DE PRUEBA

No realice pruebas si los cables no están bien conectados. Los resultados podrían generar lecturas intermitentes en pantalla. Para garantizar una buena conexión, presione los cables firmemente en el conector de entrada hasta el final.



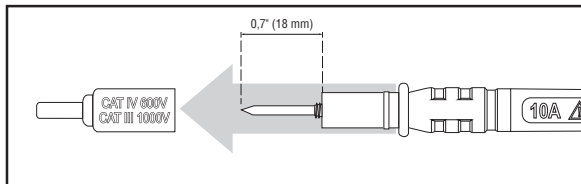
PRUEBAS EN PUNTOS DE MEDICIÓN CON CLASIFICACIÓN CAT III/CAT IV

Asegúrese de que el blindaje del cable de prueba esté firmemente colocado en su lugar. No utilizar el blindaje CAT III/CAT IV aumenta el riesgo de que se produzca un arco eléctrico.



PRUEBAS EN PUNTOS DE MEDICIÓN CON CLASIFICACIÓN CAT II

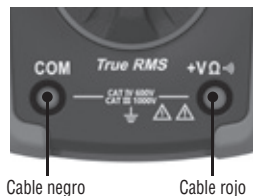
Es posible retirar blindajes CAT III/CAT IV para realizar mediciones en los puntos con clasificación CAT II. Esto permite efectuar pruebas en conductores empotrados, como tomacorrientes de pared estándar. Procure no perder los blindajes.



INSTRUCCIONES DE FUNCIONAMIENTO

MEDICIONES DE RESISTENCIA DE AISLAMIENTO

1. Inserte el cable de prueba ROJO en el conector VΩ (4) y el cable de prueba NEGRO en el conector "COM" (Común) (3), y gire la perilla selectora de función al voltaje de prueba deseado. Elija entre 125 V, 250 V, 500 V o 1000 V con base en la compatibilidad con el dispositivo que se desea probar. **NOTA:** desconecte el circuito que se desea probar y aislo de cualquier resistencia fantasma. Las pruebas de aislamiento se deben realizar solamente en circuitos desenergizados.



2. Conecte los cables rojo y negro al circuito que se desea probar. Si hay voltaje en el circuito, emitirá un pitido constante y se mostrará el símbolo de Voltaje de prueba. **Desconecte el circuito para proceder.**
3. Mantenga presionado el botón "TEST" (Probar) para iniciar la prueba. El voltaje de la prueba se muestra en el lado inferior derecho de la pantalla, y la resistencia, en el centro de la pantalla.
4. La medición de resistencia de aislamiento se muestra en el centro de la pantalla en MΩ. Permita que la lectura se establezca antes de registrar la medición. Si gira la perilla selectora de función durante la prueba de aislamiento, terminará el proceso de prueba.
5. El circuito se descargará a través del medidor. Mantenga los cables de prueba conectados hasta que el circuito esté completamente descargado y en la parte inferior izquierda de la pantalla se muestren valores cercanos a los cero voltios.

NOTA: Las mediciones pueden mostrar efectos adversos por las impedancias de los circuitos adicionales de funcionamiento conectados en paralelo o por corrientes transitorias.

FUNCIÓN DE BLOQUEO

Para realizar pruebas con las manos libres, use la función de bloqueo.

Con los cables de prueba conectados al equipo que se desea probar, presione el botón "CONTINUOUS LOCK" (Bloqueo continuo) (9), y luego presione el botón "TEST" (Probar) (10) para iniciar la prueba. El icono de bloqueo aparecerá en la pantalla. El medidor emitirá un pitido para indicar que está en modo bloqueo. Para finalizar la prueba en cualquier momento durante el proceso, presione el botón "TEST" (Probar) (10), o gire la perilla selectora de función (2) a cualquier otra posición.

INSTRUCCIONES DE FUNCIONAMIENTO

MEDICIONES DE VOLTAJE CA/CD

1. Inserte el cable de prueba ROJO en el conector VΩ ④, y el cable de prueba NEGRO en el conector "COM" (Común) ③, y gire la perilla selectora de función a la posición de Voltaje CA $V\sim$ o Voltaje CD $V\text{---}$.



Cable negro Cable rojo



2. Aplique los cables de prueba al circuito que desea probar para medir el voltaje.

NOTA: Al medir voltaje CD, en el centro de la pantalla se muestra la medición de voltaje, y en la parte inferior derecha se muestra el voltaje de la batería.

NOTA: Si al medir voltaje CD, se visualiza "—" en la pantalla LCD, los cables de prueba se están aplicando al circuito en polaridad inversa. Invierta la posición de los cables para solucionar el problema.

CONTINUIDAD

1. Inserte el cable de prueba ROJO en el conector VΩ ④ y el cable de prueba NEGRO en el conector "COM" (Común) ③, y gire la perilla selectora de función ② a la posición de continuidad (••).



Cable negro Cable rojo



2. Desconecte la energía del circuito.
3. Pruebe la continuidad conectando el conductor o el circuito con los cables de prueba. Si la lectura de la medición de resistencia es inferior a 40 Ω, se oír una señal audible y en la pantalla se visualizará un valor de resistencia que indicará la continuidad. Si el circuito está abierto, aparecerá "OL" en la pantalla.

⚠️ NO intente medir continuidad en un circuito activo.

INSTRUCCIONES DE FUNCIONAMIENTO

MEDICIÓN DE RESISTENCIA

1. Inserte el cable de prueba ROJO en el conector VΩ ④ y el cable de prueba NEGRO en el conector "COM" (Común) ③, y gire la perilla selectora de función ② a la posición de resistencia Ω.



Cable negro Cable rojo



2. Desconecte la energía del circuito.
3. Mida la resistencia conectando los cables de prueba al circuito. El medidor seleccionará automáticamente un rango para mostrar la medición en el rango más adecuado.

NOTA: Cuando el medidor está en la posición de medir resistencia y los cables de prueba están en circuito abierto (no conectados a través de un resistor), o cuando se está probando un resistor averiado, aparecerá en la pantalla la leyenda OL. Esto es normal.

⚠️ NO intente medir resistencia en un circuito activo.

MANTENIMIENTO

REEMPLAZO DE LA BATERÍA

Cuando aparece el indicador  en la pantalla LCD, se deben reemplazar las baterías.

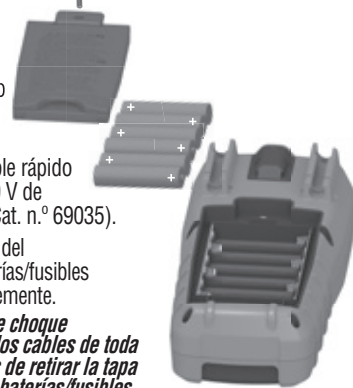
1. Retire el tornillo de la tapa del compartimento de baterías/fusibles.
2. Reemplace las 6 baterías AA de 1,5 V (observe la polaridad correcta).
3. Vuelva a colocar la tapa del compartimento de baterías/fusibles y apriete el tornillo firmemente.

REEMPLAZO DE LOS FUSIBLES

1. Retire el tornillo de la tapa del compartimento de baterías/fusibles.
2. Reemplace los fusibles quemados por un fusible rápido de 10 kA 500 mA/1000 V de 6,3 × 31,7 mm (Klein Cat. n.º 69035).
3. Vuelva a colocar la tapa del compartimento de baterías/fusibles y apriete el tornillo firmemente.

⚠️ Para evitar el riesgo de choque eléctrico, desconecte los cables de toda fuente de voltaje antes de retirar la tapa del compartimento de baterías/fusibles.

⚠️ Para evitar el riesgo de choque eléctrico, no use el medidor sin colocar la tapa del compartimento de baterías/fusibles.



LIMPIEZA

Asegúrese de que el medidor esté apagado y límpielo con un paño limpio, seco, que no deje pelusas. **No utilice solventes ni limpiadores abrasivos.**

ALMACENAMIENTO

Retire la batería si no va a utilizar el medidor durante un tiempo prolongado. No lo exponga a la humedad ni a altas temperaturas. Luego de un período de almacenamiento en condiciones extremas que sobrepasen los límites mencionados en la sección Especificaciones generales, deje que el medidor vuelva a las condiciones de funcionamiento normales antes de utilizarlo.

GARANTÍA

www.kleintools.com/warranty

ELIMINACIÓN/RECICLAJE



No arroje el equipo ni sus accesorios a la basura. Los elementos se deben desechar correctamente de acuerdo con las regulaciones locales. Visite www.epa.gov o www.ecycle.org para obtener más información.

SERVICIO AL CLIENTE

KLEIN TOOLS, INC.
450 Bond Street
Lincolnshire, IL 60069
1-877-775-5346

customerservice@kleintools.com
www.kleintools.com

MANUEL D'UTILISATION

Testeur de résistance d'isolement numérique

- TENSIONS DE TEST DE 125 V, 250 V, 500 V ET 1000 V
- PLAGES DE RÉSISTANCE D'ISOLEMENT JUSQU'À 4000 MΩ
- MESURE DE TENSIONS JUSQU'À 1000 V C.A./C.C
- FAIBLE RÉSISTANCE
- CONTINUITÉ



1 m

1000 V \approx
4000 Ω



Intertek
5000573



CARACTÉRISTIQUES GÉNÉRALES

Le testeur numérique ET600 de Klein Tools, qui comprend quatre plages de tension pour mesurer la résistance d'isolement, est également un testeur à valeur efficace vraie qui mesure la tension c.a./c.c., la résistance électrique et la continuité.

- **Altitude de fonctionnement** : 2000 m (6562 pi)
- **Humidité relative** : < 80 % sans condensation
- **Température de fonctionnement** : -10 °C à 50 °C (14 °F à 122 °F)
- **Température d'entreposage** : -30 °C à 60 °C (-4 °F à 140 °F)
- **Précision** : valeurs définies entre 18 °C et 28 °C (65 °F et 83 °F)
- **Coefficient de température** : 0,1 x (précision indiquée) par °C au-dessus de 28 °C ou en dessous de 18 °C; des corrections sont nécessaires lorsque la température ambiante de travail n'est pas dans la plage de température de précision.
- **Autonomie** avec des piles alcalines fraîches (EN61557) : **Test de résistance à l'isolement** : Le testeur peut effectuer au moins 137 tests de résistance à l'isolement de 1000 V c.c. à 1 M Ω , avec un cycle de service de 5 secondes sous tension et de 25 secondes hors tension.

Résistance de terre : Le testeur peut effectuer au moins 265 mesures de résistance de 1 M Ω , avec un cycle de service de 5 secondes sous tension et de 25 secondes hors tension.

- **Dimensions** : 200 mm x 92 mm x 62 mm (7,8 po x 3,6 po x 2,4 po)
- **Poids** : 700 g (24,6 oz)
- **Étalonnage** : précis pendant un an
- **Normes** : Conforme aux normes : UL 61010-1, 61010-2-030, 61010-2-033, 61557-1-2-4.



Certifié conforme aux normes : CSA C22.2 n° 61010-1, 61010-2-030 et 61010-2-033, 61557-1-2-4.
IEC EN 61010-1, 61010-2-030, 61010-2-033 61326-1, 61557-1-2-4.

Intertek
5000573

- **Niveau de pollution** : 2
- **Précision** : \pm (% de la lecture + nombre de chiffres les moins significatifs)
- **Protection contre les chutes** : 1 m (3,3 pi)
- **Protection contre les infiltrations** : IP40*
* à l'exception des prises de fils d'essai, consulter la section **AVERTISSEMENTS**
- **Cote de sécurité** : CAT IV 600 V, CAT III 1000 V, classe 2, double isolation

CAT III : La catégorie de mesure III est applicable aux circuits de test et de mesure connectés à la partie distribution de l'installation du RESEAU basse tension du bâtiment.

CAT IV : La catégorie de mesure IV est applicable aux circuits de test et de mesure connectés à la source de l'installation du RESEAU basse tension du bâtiment.

- **Environnement électromagnétique** : IEC EN 61326-1. Cet équipement répond aux exigences pour une utilisation dans des environnements électromagnétiques ordinaires et contrôlés comme les zones résidentielles, les locaux commerciaux et les sites industriels légers.

Les caractéristiques techniques peuvent faire l'objet de modifications.

SPÉCIFICATIONS ÉLECTRIQUES

RÉSISTANCE D'ISOLEMENT

Tension à la borne	Plage (M Ω)	Résolution (M Ω)	Précision	Courant de test
125 V (0 % à +20 %)	0,125 à 3,999	0,001	\pm (2 % + 10 chiffres)	Charge de 1 mA à 125 k Ω
	4,00 à 39,99	0,01	\pm (2 % + 10 chiffres)	
	40,0 à 399,9	0,1	\pm (4 % + 5 chiffres)	
250 V (0 % à +20 %)	0,250 à 3,999	0,001	\pm (2 % + 15 chiffres)	Charge de 1 mA à 250 k Ω
	4,00 à 39,99	0,01	\pm (2 % + 10 chiffres)	
	40,0 à 399,9	0,1	\pm (3 % + 5 chiffres)	
500 V (0 % à +20 %)	0,500 à 3,999	0,001	\pm (2 % + 10 chiffres)	Charge de 1 mA à 500 k Ω
	4,00 à 39,99	0,01	\pm (2 % + 10 chiffres)	
	40,0 à 399,9	0,1	\pm (2 % + 5 chiffres)	
1000 V (0 % à +20 %)	1,000 à 3,999	0,001	\pm (3 % + 10 chiffres)	Charge de 1 mA à 1 M Ω
	4,00 à 39,99	0,01	\pm (2 % + 10 chiffres)	
	40,0 à 399,9	0,1	\pm (2 % + 5 chiffres)	
	400 à 4000	1	\pm (4 % + 5 chiffres)	

TENSION

Fonction	Tension	Résolution	Précision (50 Hz à 60 Hz)
Tension c.a. (V c.a.) (Max 1000 V)	<400 V	\leq 0,01 V	\pm (1,0 % + 5 chiffres)
	>400 V	\leq 1 V	\pm (1,2 % + 5 chiffres)
Tension c.c. (V c.c.) (Max 1000 V)	<400 V	\leq 0,01 V	\pm (0,9 % + 3 chiffres)
	>400 V	\leq 1 V	\pm (1,0 % + 3 chiffres)

Impédance en entrée : 10 M Ω **Plage de fréquences** : 50 Hz à 60 Hz
Courant d'entrée maximal : 1000 V c.c. ou 1000 V c.a. eff.

RÉSISTANCE DE TERRE

Fonction	Résolution	Précision
40,00 Ω	0,1 Ω	\pm (0,5 % + 2 chiffres)
400,0 Ω	0,1 Ω	\pm (1,2 % + 5 chiffres)
4000 Ω	1 Ω	\pm (2,5 % + 8 chiffres)

Courant d'entrée maximal : 300 V c.c. ou 300 V c.a. eff.

INDICATEUR SONORE DE CONTINUITÉ : Signal sonore si la résistance est de < 30 Ω , le court-circuit est de > 200 mA et la tension à circuit ouvert est de 5,5 V DC

FONCTION D'ARRÊT AUTOMATIQUE : Après 15 minutes d'inactivité

AJUSTEMENT À ZÉRO : Automatisé

FRÉQUENCE D'ÉCHANTILLONNAGE : 3 fois par seconde

SURCHARGE : « QL » indiqué sur l'écran, 1000 V eff. dans les réglages de mesure de tension, 300 V eff. dans tous les autres réglages

POLARITÉ : « - » sur l'écran indique une polarité négative

ÉCRAN : Écran ACL à double affichage jusqu'à 4000 lectures

INCERTITUDE D'UTILISATION

INCERTITUDE INTRINSÈQUE (NORME EN61557)

Code	Mesure intrinsèque	Incertitude d'utilisation	Incertitude maximale*
A	Résistance d'isolement	Voir les SPÉCIFICATIONS ÉLECTRIQUES	<30%
A	Résistance de terre	Voir les SPÉCIFICATIONS ÉLECTRIQUES	<30%

* Indique la valeur maximale permise par la norme

INCERTITUDES ET VARIABLES D'INFLUENCE (NORME EN61557)




Code	Variable	Plage	% dans la plage
E1	Position	+/- 90°	<5%
E2	Tension d'alimentation	7,21 V à 9,13 V	<5%
E3	Température	0 à 35 °C	<5%

⚠ AVERTISSEMENTS

Pour garantir une utilisation et un entretien sécuritaires de l'appareil, suivez ces instructions. Le non-respect de ces avertissements peut entraîner des blessures graves, voire la mort.

- Avant chaque utilisation, vérifiez le fonctionnement du multimètre en mesurant une tension de valeur connue.
- N'UTILISEZ PAS** le multimètre sur un circuit dont la tension dépasse la tension correspondant à la cote de sécurité de l'appareil.
- N'UTILISEZ PAS** le multimètre lors d'orages électriques ou par temps humide.
- N'UTILISEZ PAS** le multimètre ou les fils d'essai s'ils semblent avoir été endommagés.
- Utilisez **UNIQUEMENT** des fils d'essai conformes à la norme CAT. IV.
- Assurez-vous que les fils d'essai sont bien installés et évitez de toucher les contacts métalliques des sondes lors de la mesure.
- N'OUVREZ PAS** le multimètre pour remplacer les piles lorsque les sondes sont connectées.
- Faites preuve de prudence lors de mesures sur des circuits de plus de 25 V c.a. eff. ou de 60 V c.c. De telles tensions constituent un risque de choc électrique.
- Pour éviter les lectures faussées pouvant provoquer un choc électrique, remplacez les piles lorsque l'indicateur de piles faibles apparaît.
- NE TENTEZ PAS** de mesurer la résistance ou la continuité sur un circuit alimenté en électricité.
- Assurez-vous que le circuit mis à l'essai ne comporte pas de composants pouvant être endommagés par des tensions de 1000 V c.c., par exemple des condensateurs d'amélioration de facteur de puissance, des câbles basse tension à isolation minérale, des gradateurs d'éclairage électroniques ainsi que des ballasts ou des démarreurs pour lampes fluorescentes.
- NE TESTEZ PAS** la résistance d'isolement ou résistance de terre si une tension est appliquée à des parties d'une installation ou d'un dispositif mis à l'essai. Les circuits mis à l'essai (sauf les mesures de la tension) doivent être mis hors tension et isolés avant d'établir les connexions.
- Il faut éviter de toucher les connexions des circuits pendant un essai. Le contact accidentel avec les conducteurs peut provoquer un choc électrique.
- Après avoir mesuré la résistance d'isolement, assurez-vous que le circuit est pleinement déchargé avant de retirer les fils d'essai. L'écran ACL doit afficher près de zéro volt.
- Assurez-vous de respecter les codes de sécurité locaux et nationaux en tout temps. Portez de l'équipement de protection individuelle pour prévenir les blessures causées par les chocs électriques et les arcs électriques lorsque des conducteurs nus alimentés dangereux sont présents.
- Le multimètre est conforme à la norme IP40 en ce qui concerne la résistance à l'eau et à la poussière, sauf pour les prises de fils d'essai. En cas de contact avec l'eau, séchez le multimètre et les prises de fils d'essai avant de l'utiliser à nouveau.

SYMBOLES SUR L'APPAREIL

- $V \sim$ Tension c.a. $V \text{---}$ Tension c.c.
- Ω Résistance (ohms) \Rightarrow Indicateur sonore de continuité
-  Fusible (calibre indiqué sous le symbole)  Double isolation, classe II
-  **Avertissement ou mise en garde**
Pour garantir une utilisation et un entretien sécuritaires du multimètre, suivez les avertissements et les instructions présents dans ce manuel.

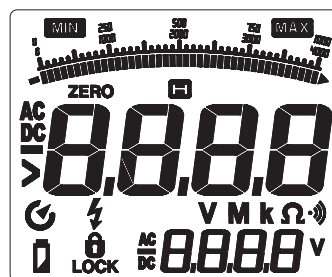
 Risque de choc électrique

Une utilisation inappropriée de ce multimètre peut provoquer un risque de choc électrique. Suivez les avertissements et les instructions présents dans ce manuel.

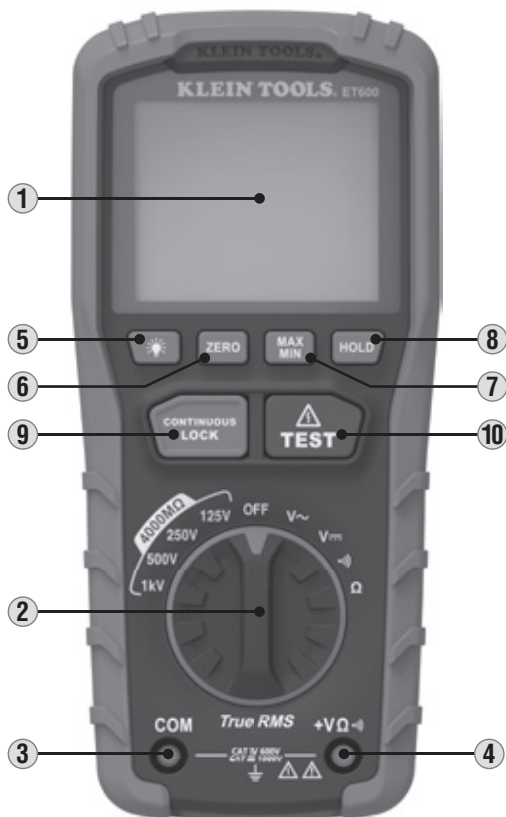
SYMBOLES À L'ÉCRAN ACL

-  Maintien des données  Indicateur sonore de continuité
- AC** C.A. (courant alternatif) **DC** C.C. (courant continu)
-  Piles faibles  Arrêt automatique
- MAX** Valeur maximale **MIN** Valeur minimale
- M** Méga (valeur x 10⁶) **k** Kilo (valeur x 10³)
- V** Volts Ω Ohms
-  Tension de test  Verrouillage des essais
-  Graphique en barres **-** Négatif
-  Plus que **ZERO** Ajustement à zéro

REMARQUE : Le graphique à barres affiche la valeur mesurée pour la tension c.a./c.c. ainsi que la résistance pour les essais de la résistance d'isolement.



CARACTÉRISTIQUES DÉTAILLÉES



REMARQUE : Ce multimètre ne contient aucune pièce réparable par l'utilisateur.

- | | |
|--|--|
| 1. Écran ACL jusqu'à 4000 lectures | 6. Bouton ZERO (Zéro) |
| 2. Commutateur de sélection de fonctions | 7. Bouton MAX/MIN |
| 3. Prise COM | 8. Bouton HOLD
(Maintien des données) |
| 4. Prise « V Ω » | 9. Bouton LOCK (Verrouillage) |
| 5. Bouton de rétroéclairage | 10. Bouton TEST (Essai) |

BOUTONS DE FONCTION

MARCHE/ARRÊT

Pour allumer le multimètre, tournez le commutateur de sélection de fonctions (2) du réglage OFF (Arrêt) à tout autre réglage de mesure. Pour éteindre le multimètre, tournez le commutateur de sélection de fonctions au réglage OFF (Arrêt). **REMARQUE :** L'appareil s'éteint automatiquement après 15 minutes d'inactivité. Pour désactiver la fonction, maintenez le bouton HOLD (Maintien des données) (8) enfoncé à la mise sous tension.

BOUTON DE RÉTROÉCLAIRAGE (5)

Maintenez le bouton de rétroéclairage enfoncé pendant plus d'une seconde pour activer ou désactiver le rétroéclairage. Le rétroéclairage s'éteint automatiquement après environ 3 minutes.

BOUTON ZERO (ZÉRO) (6)

Appuyez sur le bouton ZERO (Zéro) pour ajuster automatiquement à zéro la tension et la résistance.

BOUTON MAX/MIN (7)

Lorsque le bouton MAX/MIN est enfoncé, le multimètre mémorise les valeurs minimale et maximale mesurées pour la tension c.a. et c.c., la continuité et la résistance (ohms). Appuyez une première fois sur le bouton MAX/MIN pour afficher la valeur MAX, puis appuyez de nouveau pour afficher la valeur MIN. Pour retourner en mode normal, appuyez sur le bouton MAX/MIN pendant plus d'une seconde.

BOUTON HOLD (MAINTIEN DES DONNÉES) (8)

Appuyez sur le bouton HOLD (Maintien des données) pour que la lecture actuelle demeure affichée. Appuyez de nouveau sur le bouton pour effacer la lecture afin de recommencer à effectuer des mesures en temps réel (sauf pour le test de résistance d'isolement).

BOUTON LOCK (VERROUILLAGE) (9)

Pour réaliser le test de résistance d'isolement mains-libres, utilisez le bouton LOCK (Verrouillage). Après avoir branché les fils d'essai à l'équipement mis à l'essai, appuyez sur le bouton LOCK (Verrouillage), puis sur le bouton TEST (Essai) pour commencer le test. Dès que le mode verrouillé est activé, l'icône de verrouillage apparaît à l'écran et le multimètre émet un signal sonore. Appuyez sur le bouton TEST (Essai) pour mettre fin au test.

BOUTON TEST (ESSAI) (10)

Après avoir branché les fils d'essai à l'équipement mis à l'essai, appuyez sur le bouton TEST (Essai) et tenez-le enfoncé pour commencer le test de résistance d'isolement. La tension d'essai apparaît alors dans le coin inférieur droit de l'écran et la résistance est présentée sur l'affichage principal.

REMARQUE : Assurez-vous que le circuit mis à l'essai ne comporte pas de composants pouvant être endommagés par des tensions de 1000 V c.c., par exemple des condensateurs d'amélioration de facteur de puissance, des câbles basse tension à isolation minérale, des gradateurs d'éclairage électroniques ainsi que des ballasts ou des démarreurs pour lampes fluorescentes.

INSTRUCTIONS D'UTILISATION

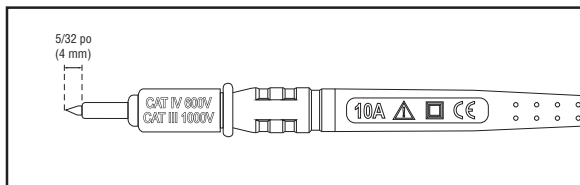
BRANCHEMENT DES FILS D'ESSAI

N'effectuez pas de test si les fils d'essai ne sont pas installés correctement. Cela pourrait causer des lectures intermittentes. Pour assurer un raccordement approprié, enfoncez complètement les fils d'essai dans la prise d'entrée.



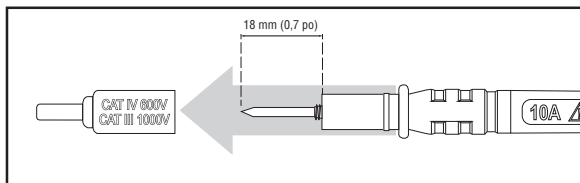
TESTS DANS DES EMPLACEMENTS CAT. III/CAT. IV

Assurez-vous que l'écran de protection des fils d'essai est enfoncé complètement. Le fait de ne pas utiliser l'écran de protection CAT III/CAT IV augmente le risque d'arc électrique.



TESTS DANS DES EMPLACEMENTS CAT. II

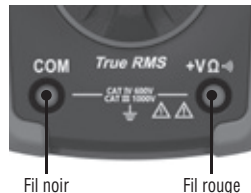
Les écrans de protection CAT. III/CAT. IV peuvent être retirés des emplacements CAT. II pour des tests sur des conducteurs encastrés, p. ex. les prises murales standard. Assurez-vous de ne pas perdre les écrans de protection.



INSTRUCTIONS D'UTILISATION

MESURES DE RÉSISTANCE D'ISOLEMENT

1. Insérez le fil d'essai ROUGE dans la prise VΩ (4) et le fil d'essai NOIR dans la prise COM (3), puis tournez le commutateur de sélection de fonctions à la tension d'essai voulue. Choisissez une tension de 125 V, de 250 V, de 500 V ou de 1000 V d'après la compatibilité avec l'appareil testé. **REMARQUE** : Débranchez le circuit testé et isolez-le de toute résistance parasite. Le test de résistance à l'isolement doit être effectué sur des circuits mis hors tension uniquement.



2. Branchez le fil rouge et le fil noir au circuit testé. Si une tension est appliquée sur le circuit testé, l'appareil émettra un signal sonore constant et le symbole de la tension d'essai ⚡ apparaîtra à l'écran. *Débranchez le circuit pour continuer.*
3. Pour commencer le test, appuyez sur le bouton TEST (Essai) et maintenez-le enfoncé. La tension d'essai apparaît alors dans le coin inférieur droit de l'écran et la résistance est présentée sur l'affichage principal.
4. Sur l'affichage principal, la résistance d'isolement mesurée apparaît en MΩ. N'enregistrez la mesure qu'une fois la lecture stabilisée. Pour interrompre le test, tournez le commutateur de sélection de fonctions n'importe quand.
5. Le circuit se déchargera à l'aide du multimètre. Ne débranchez pas les fils d'essai avant que le circuit ne soit complètement déchargé et que le coin inférieur droit de l'écran présente une tension de presque zéro volt.

REMARQUE : L'impédance d'autres circuits de fonctionnement branchés en parallèle ou alimentés par des courants transitoires peut nuire aux mesures.

FONCTION DE VERROUILLAGE

Pour réaliser le test en mode mains-libres, utilisez la fonction de verrouillage.

Après avoir branché les fils d'essai à l'équipement mis à l'essai, appuyez sur le bouton LOCK (Verrouillage) (9), puis sur le bouton TEST (Essai) (10) pour commencer le test. L'icône de verrouillage apparaît à l'écran. Dès que le mode verrouillé est activé, le multimètre émet un signal sonore. Pour interrompre le test à tout moment après son commencement, appuyez sur le bouton TEST (Essai) (10) ou placez le commutateur de sélection de fonctions (2) à un autre réglage.

INSTRUCTIONS D'UTILISATION

MESURES DE LA TENSION C.A./C.C.

1. Insérez le fil d'essai ROUGE dans la prise VΩ (4) et le fil d'essai NOIR dans la prise COM (3), puis placez le commutateur de sélection de fonctions vis-à-vis du symbole de tension c.a. $V\sim$ ou de tension c.c. $V\text{---}$.



Fil noir

Fil rouge



2. Appliquez les fils d'essai au circuit à tester pour mesurer la tension.

REMARQUE : Pendant la mesure de la tension c.c., l'affichage principal présente la mesure de tension, et l'affichage secondaire, la tension de la batterie.

REMARQUE : Pendant la mesure de la tension c.c., si « - » apparaît à l'écran ACL, les fils d'essai sont appliqués au circuit selon la polarité inverse. Inversez la position des fils pour corriger cette situation.

CONTINUITÉ

1. Insérez le fil d'essai ROUGE dans la prise VΩ (4) et le fil d'essai NOIR dans la prise COM (3), puis placez le commutateur de sélection de fonctions (2) vis-à-vis du symbole de la continuité ()).



Fil noir

Fil rouge



2. Coupez l'alimentation du circuit.

3. Testez la continuité en connectant un conducteur ou un circuit aux fils d'essai. Si la résistance mesurée est inférieure à 40 Ω, l'appareil émet un signal sonore et l'écran indique une valeur de résistance correspondant à la continuité. Si le circuit est ouvert, l'écran indique « OL ».

⚠ **NE tentez PAS de mesurer la continuité sur un circuit alimenté en électricité.**

INSTRUCTIONS D'UTILISATION

MESURES DE RÉSISTANCE

1. Insérez le fil d'essai ROUGE dans la prise VΩ (4) et le fil d'essai NOIR dans la prise COM (3), puis placez le commutateur de sélection de fonctions (2) vis-à-vis du symbole de résistance Ω.



Fil noir

Fil rouge



2. Coupez l'alimentation du circuit.
3. Mesurez la résistance en connectant les fils d'essai au circuit. Le multimètre choisira l'échelle automatiquement pour afficher la mesure dans l'échelle la plus appropriée.

REMARQUE : Lorsqu'une fonction de test de résistance est sélectionnée et les fils d'essai ne sont pas en contact (ils ne sont pas connectés de part et d'autre d'une résistance), ou encore, lorsqu'une résistance défectueuse est testée, l'écran affiche « O.L. ». Cela est normal.

⚠ **NE tentez PAS de mesurer la résistance sur un circuit alimenté en électricité.**

ENTRETIEN

REPLACEMENT DES PILES

Lorsque l'indicateur  apparaît à l'écran ACL, il est nécessaire de remplacer les piles.

1. Retirez la vis de la porte du compartiment à piles/fusibles.
2. Remplacez les 6 piles AA de 1,5 V (tenez compte de la polarité).
3. Remplacez la porte du compartiment à piles/fusibles et fixez-la solidement à l'aide de la vis.

REPLACEMENT DES FUSIBLES

1. Retirez la vis de la porte du compartiment à piles/fusibles.
2. Remplacez le fusible grillé par un fusible à fusion rapide de 10 kA de 500 mA/1000 V mesurant 6,3 mm x 31,7 mm (n° 69035 du cat. Klein).
3. Remplacez la porte du compartiment à piles/fusibles et fixez-la solidement à l'aide de la vis.

⚠ **Pour éviter le risque de choc électrique, débranchez les fils d'essai de toute source de tension avant de retirer la porte du compartiment à piles/fusibles.**

⚠ **Pour éviter le risque de choc électrique, n'utilisez pas le multimètre lorsque la porte du compartiment à piles/fusibles est retirée.**

NETTOYAGE

Assurez-vous d'éteindre le multimètre, puis essuyez-le à l'aide d'un linge non pelucheux propre. ***N'utilisez pas de nettoyant abrasif ni de solvant.***

ENTREPOSAGE

Retirez les piles lorsque vous prévoyez ne pas utiliser l'appareil pendant une longue période. N'exposez pas l'appareil à des températures ou à un taux d'humidité élevés. Après une période d'entreposage dans des conditions extrêmes (hors des limites mentionnées dans la section Caractéristiques générales), laissez l'appareil revenir à des conditions d'utilisation normales avant de l'utiliser.

GARANTIE

www.kleintools.com/warranty

MISE AU REBUT/RECYCLAGE

Ne mettez pas l'appareil et ses accessoires au rebut. Ces articles doivent être éliminés conformément aux règlements locaux. Pour de plus amples renseignements, consultez les sites www.epa.gov ou www.ecycle.org.

SERVICE À LA CLIENTÈLE**KLEIN TOOLS, INC.**

450 Bond Street
Lincolnshire, IL 60069
1 877 775-5346

customerservice@kleintools.com
www.kleintools.com