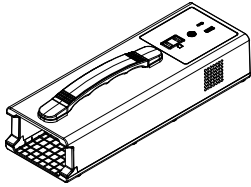
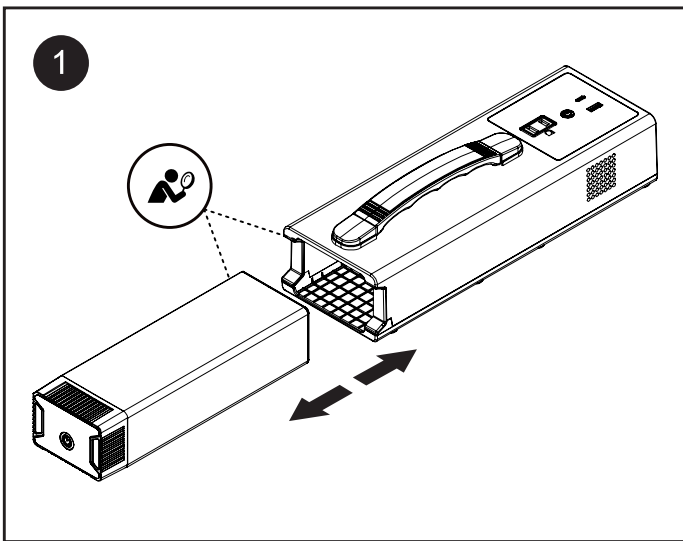
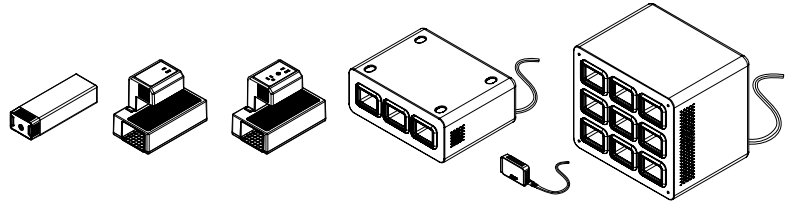


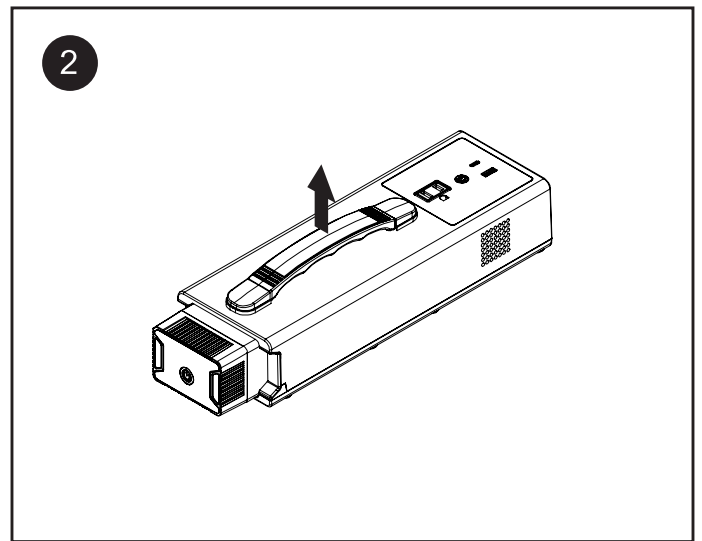
**INCLUDED**



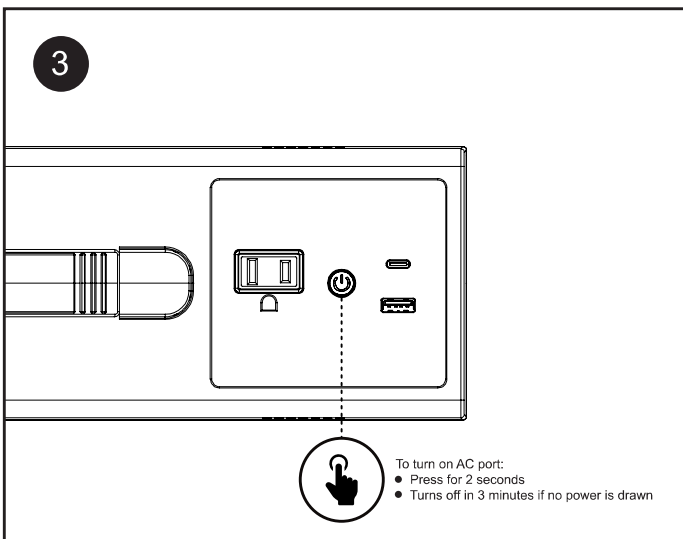
**SHIPS / SOLD SEPARATELY TO SCALE**



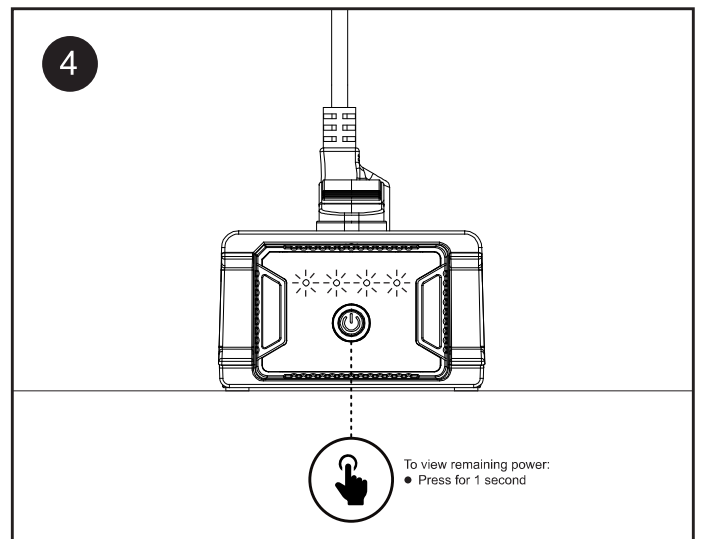
- Ensure rechargeable battery upper left corner matches tabletop unit opening
- Insert rechargeable battery into tabletop unit
- Ensure rechargeable battery is engaged with magnetic catch



- Lift and transport tabletop unit by the handle only
- Keep tabletop unit level with floor, minimal swinging if any



- Plug cords into corresponding ports – AC, USB-C, USB-A
- Press power button on tabletop unit to turn on any port(s)



- Press power button on rechargeable battery to view remaining power (0-4 illuminated LEDs)

## TROUBLESHOOTING

### Tabletop unit power button flashing green\*

1. Unplug all devices from tabletop unit
2. Reset tabletop unit by pressing power button for 2 seconds

\*Indicates a safety feature has been triggered

### Not charging when plugged into any port(s)

1. Confirm power button has been pressed on tabletop unit
2. Confirm rechargeable battery is engaged with magnetic catch
3. View remaining power by pressing power button on rechargeable battery
4. Recharge if one or fewer LEDs are illuminated

## SPECIFICATIONS

- Model: KBEP001
- Input: 18-25.2Vdc, 5.2A Max. (For battery)
- AC Output: 110Vac, 1.18A
- DC Output: USB Output: 5Vdc, 2.4A; (Support QC3.0)
- Type-C Output: 5Vdc, 3A or 9Vdc, 2A or 12Vdc, 1.5A 18W Max. (Support PD)
- USB and Type-C Total Output: 20W Max.

## CARACTÉRISTIQUES

- Modèle: KBEP001
- Entrée: 18-25.2Vdc, 5,2A Max. (Pour batterie)
- Sortie CA: 110Vca, 1.18A
- DC Sortie: USB Sortie: 5Vdc, 2.4A; (Prise en charge QC3.0)
- Type-C Sortie: 5Vdc, 3A or 9Vdc, 2A or 12Vdc, 1.5A 18W Max. (Soutien PD)
- USB and Type-C Total Sortie: 20W Max.

## SAFETY INSTRUCTIONS

- Product maximum service temperature 35°C, suitable for use below 5,000 meters above sea level.
- Candles and other open sources of fire should not be placed on the product.
- If you want to clean the equipment, please use a dry cloth or dry brush to clean.
- For indoor use only.
- Class II equipment.
- Product should only be used with battery KBEP-BAT.

## CONSIGNES DE SÉCURITÉ

- Température de fonctionnement maximale du produit 35°C, adaptée à une utilisation sous les 5000 mètres au-dessus du niveau de la mer.
- Les bougies et autres sources de feu ouvertes ne doivent pas entrer en contact avec le produit.
- Si vous souhaitez nettoyer l'équipement, veuillez utiliser un chiffon sec ou une brosse sèche pour le nettoyer.
- Pour utilisation à l'intérieur seulement.
- Matériel de classe II.
- Le produit ne doit être utilisé qu'avec une batterie KBEP-BAT.

## MANUFACTURER

- Manufacturer: Luxor, Waukegan, Illinois, USA [www.luxorworkspaces.com](http://www.luxorworkspaces.com)
- Made in China

## FABRICANT

- Fabricant: Luxor, Waukegan, Illinois, USA [www.luxorworkspaces.com](http://www.luxorworkspaces.com)
- Fabriqué en Chine