

**ENERPAC** 

POWERFUL SOLUTIONS. GLOBAL FORCE.

Repair Parts Sheet

QuickFace Flange Facing Tool  
Model FF-120

L4008 Rev. A 04/12

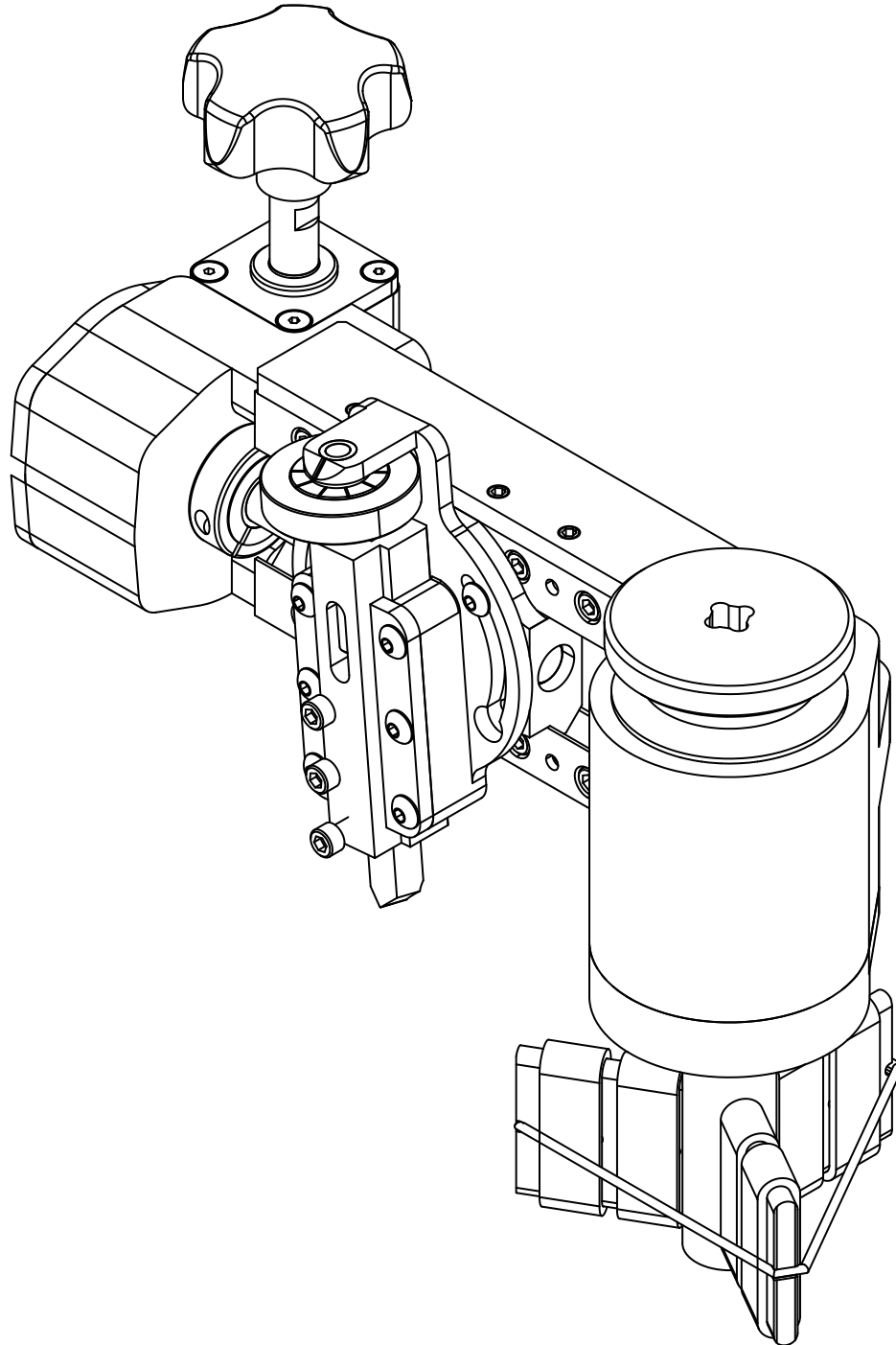
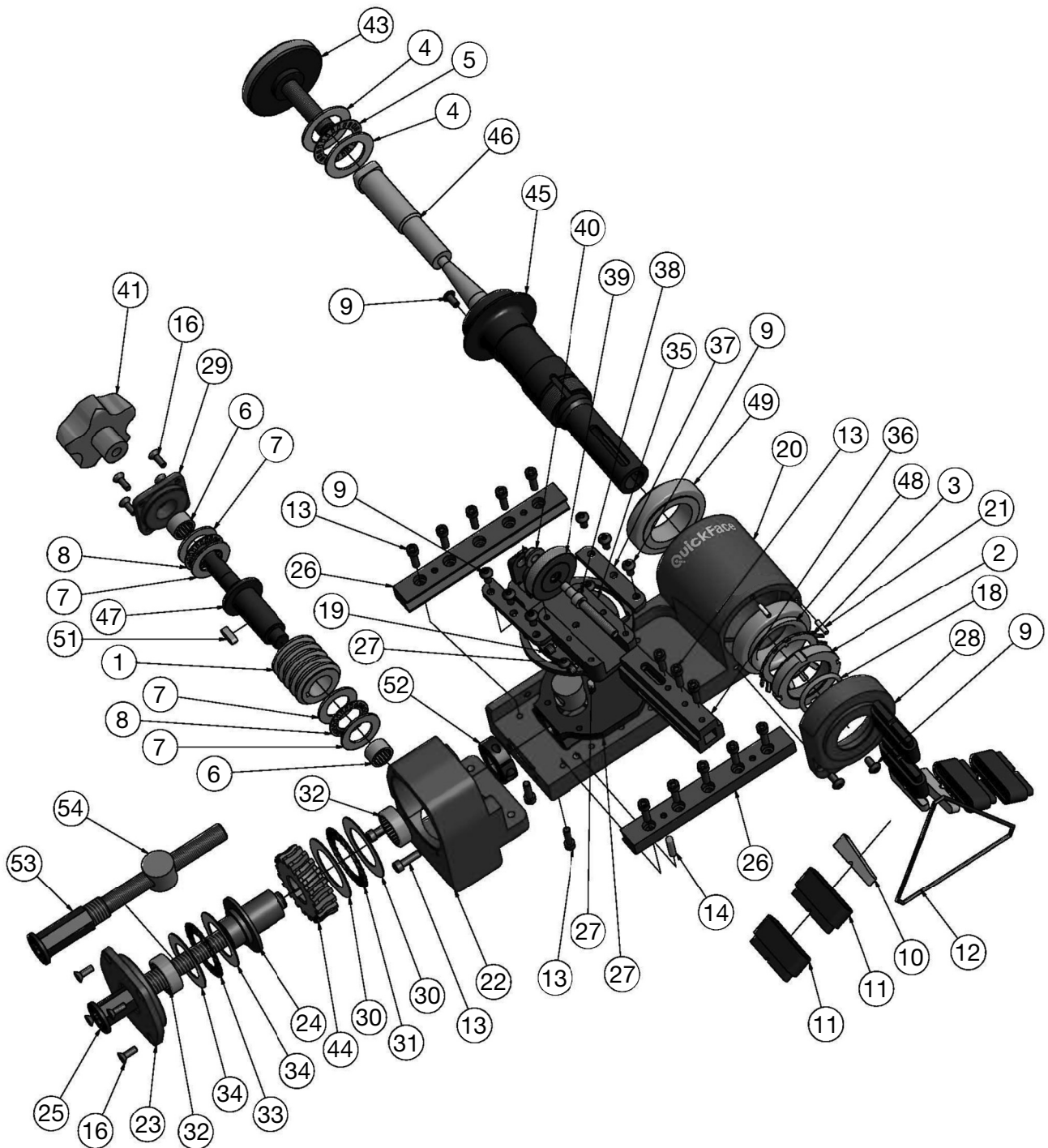


Figure 1 - Model FF-120 Main Assembly



**Repair Parts List (Refer to Figure 1)**

**L4008**

Item	Part Number	Qty.	Description	Item	Part Number	Qty.	Description
1	N/A	1	Gear - Worm	21	N/A	2	Dowel - 1/8 x 1/2"
2	N/A	1	Lock Nut	22	N/A	1	Gearbox - Worm
3	N/A	1	Lock Washer	23	N/A	1	Bracket - Worm Bearing
4	N/A	1	Washer - Thrust	24	N/A	1	Collar - QuickFace Drive
5	N/A	1	Bearing - Thrust	25	★ ★	1	Feed Screw - QF 1/2-11
6	N/A	2	Bearing - Needle	26	N/A	2	Gib
7	N/A	4	Washer - Thrust	27	N/A	1	Slide
8	N/A	2	Washer - Thrust	28	N/A	1	Cap - Top Housing
9	N/A	11	BHCS - 10-32 UNF x 3/8"	29	N/A	1	Cover - Worm
10	★	3	Locator - #4 (.463)	30	N/A	2	Washer -Thrust
10	★	3	Locator - #5 (.563)	31	N/A	1	Bearing, Thrust
10	★	3	Locator - #8 (.863)	32	N/A	2	Needle Bearing
10	★	3	Locator - #7 (.763)	33	N/A	1	Bearing - Thrust
10	★	3	Locator - #9 (.964)	34	N/A	1	Washer - Thrust
10	★	3	Locator - #10 (1.064)	35	N/A	1	Slide, QuickFace Swivel
10	★	3	Locator - #6 (.663)	36	N/A	1	Tool Holder
10	★	3	Locator - #1 (.161)	37	N/A	2	Plate - Keeper
10	★	3	Locator - #3 (.362)	38	N/A	1	Screw - Depth Adjustment
10	★	3	Locator - #2 (.262)	39	N/A	1	Hand Wheel - QF Depth
11	★	6	Extension - 0.8"	40	N/A	1	Bushing - Flanged
12	★	2	O-Ring - 3.5 ID x 3/32"	41	N/A	1	Knob - Cushion Grip
12	★	2	O-Ring - .938 ID x 3/32"	42	★ ★ ★	1	Feed Nut - QF 1/2-20
12	★	2	O-Ring - 4.25 ID x 3/32"	43	N/A	1	Knob - Mandrel Locking
12	★	2	O-Ring - 2.875 ID x 3/32"	44	N/A	1	Worm Gear - QF Feed
12	★	2	O-Ring - 2.25 ID x 3/32"	45	N/A	1	Shaft - Mandrel
12	★	2	O-Ring - 1.50 ID x 3/32"	46	N/A	1	Expanding Shaft
13	N/A	17	SHCS - 10-32 x 5/8"	47	N/A	1	Shaft - Handle Worm
14	N/A	2	Dowel Pin , 3/16 Dia. x 3/4" long	48	N/A	2	Bearing - Cup
15	N/A	4	S.S.S. - 1/4 - 20 x 1/4"	49	N/A	2	Bearing - Cone
16	N/A	8	FHCS 8-32 x 3/8"	50	N/A	1	Dowel Pin - 3/16 x 1/4"
17	N/A	1	S.S.S. - 10-32 UNF x 3/8"	51	N/A	2	Key - 3/16 x 3/16 x 3/8"
18	N/A	1	Seal, Oil	52	N/A	1	Collar - 5/8-11 Threaded
19	N/A	2	S.S.S. - 1/4 - 20 x 1/4" B T	53	★ ★ ★	1	Feed Screw - QF 1/2-20
20	N/A	1	Housing	54	★ ★	1	Feed Nut - QF 1/2-11

**Notes:**

★ Item included in accessory parts kit FF120 FFL.

★ ★ Item included in accessory parts kit FF120 FSS.

★ ★ ★ Item included in accessory parts kit FF120 FSF.

N/A Item not available as a service part.

## Enerpac Worldwide Locations

◆ e-mail: [info@enerpac.com](mailto:info@enerpac.com)

◆ internet: [www.enerpac.com](http://www.enerpac.com)

### Australia and New Zealand

Actuant Australia Ltd.  
Block V Unit 3  
Regents Park Estate  
391 Park Road  
Regents Park NSW 2143  
(P.O. Box 261) Australia  
T +61 (0)2 9743 8988  
F +61 (0)2 9743 8648  
[sales-au@enerpac.com](mailto:sales-au@enerpac.com)

### Brazil

Power Packer do Brasil Ltda.  
Rua dos Inocentes, 587  
04764-050 - Sao Paulo (SP)  
T +55 11 5687 2211  
F +55 11 5686 5583  
Toll Free: 0800 891 5770  
[vendasbrasil@enerpac.com](mailto:vendasbrasil@enerpac.com)

### Canada

Actuant Canada Corporation  
6615 Ordan Drive, Unit 14-15  
Mississauga, Ontario L5T 1X2  
T +1 905 564 5749  
F +1 905 564 0305  
Toll Free:  
T +1 800 268 4987  
F +1 800 461 2456  
[customer.service@actuant.com](mailto:customer.service@actuant.com)

### China

Actuant (China) Industries Co. Ltd.  
No. 6 Nanjing East Road,  
Taicang Economic Dep Zone  
Jiangsu, China  
T +86 0512 5328 7500  
F +86 0512 5335 9690  
Toll Free: +86 400 885 0369  
[sales-cn@enerpac.com](mailto:sales-cn@enerpac.com)

### France, Switzerland, North Africa and French speaking African countries

ENERPAC  
Une division d'ACTUANT France S.A.  
ZA de Courtaboeuf  
32, avenue de la Baltique  
91140 VILLEBON /YVETTE  
France  
T +33 1 60 13 68 68  
F +33 1 69 20 37 50  
[sales-fr@enerpac.com](mailto:sales-fr@enerpac.com)

### Germany and Austria

ENERPAC GmbH  
P.O. Box 300113  
D-40401 Düsseldorf  
Willstätterstrasse 13  
D-40549 Düsseldorf, Germany  
T +49 211 471 490  
F +49 211 471 49 28  
[sales-de@enerpac.com](mailto:sales-de@enerpac.com)

### India

ENERPAC Hydraulics Pvt. Ltd.  
No. 1A, Peenya Industrial Area  
IInd Phase, Bangalore, 560 058, India  
T +91 80 40 792 777  
F +91 80 40 792 792  
[sales-in@enerpac.com](mailto:sales-in@enerpac.com)

### Italy

ENERPAC S.p.A.  
Via Canova 4  
20094 Corsico (Milano)  
T +39 02 4861 111  
F +39 02 4860 1288  
[sales-it@enerpac.com](mailto:sales-it@enerpac.com)

### Japan

Applied Power Japan LTD KK  
Besshocho 85-7  
Kita-ku, Saitama-shi 331-0821, Japan  
T +81 48 662 4911  
F +81 48 662 4955  
[sales-jp@enerpac.com](mailto:sales-jp@enerpac.com)

### Middle East, Egypt and Libya

ENERPAC Middle East FZE  
Office 423, LOB 15  
P.O. Box 18004, Jebel Ali, Dubai  
United Arab Emirates  
T +971 (0)4 8872686  
F +971 (0)4 8872687  
[sales-ua@enerpac.com](mailto:sales-ua@enerpac.com)

### Russia

Rep. office Enerpac  
Russian Federation  
Admirala Makarova Street 8  
125212 Moscow, Russia  
T +7 495 98090 91  
F +7 495 98090 92  
[sales-ru@enerpac.com](mailto:sales-ru@enerpac.com)

### Singapore

Actuant Asia Pte Ltd.  
83 Joo Koon Circle  
Singapore 629109  
T +65 68 63 0611  
F +65 64 84 5669  
Toll Free: +1800 363 7722  
[sales-sg@enerpac.com](mailto:sales-sg@enerpac.com)

### South Korea

Actuant Korea Ltd.  
3Ba 717, Shihwa Industrial Complex  
Jungwang-Dong, Shihung-Shi,  
Kyunggi-Do  
Republic of Korea 429-450  
T +82 31 434 4506  
F +82 31 434 4507  
[sales-kr@enerpac.com](mailto:sales-kr@enerpac.com)

### Spain and Portugal

ENERPAC SPAIN, S.L.  
Avda. Los Frailes, 40 – Nave C & D  
Pol. Ind. Los Frailes  
28814 Daganzo de Arriba  
(Madrid) Spain  
T +34 91 884 86 06  
F +34 91 884 86 11  
[sales-es@enerpac.com](mailto:sales-es@enerpac.com)

### Sweden, Denmark, Norway, Finland and Iceland

Enerpac Scandinavia AB  
Fabriksgatan 7  
412 50 Gothenburg  
Sweden  
T +46 (0) 31 799 0281  
F +46 (0) 31 799 0010  
[scandinavianinquiries@enerpac.com](mailto:scandinavianinquiries@enerpac.com)

### The Netherlands, Belgium, Luxembourg, Central and Eastern Europe, Baltic States, Greece, Turkey and CIS countries

ENERPAC B.V.  
Galvanistraat 115  
6716 AE Ede  
P.O. Box 8097  
6710 AB Ede  
The Netherlands  
T +31 318 535 911  
F +31 318 535 848  
[sales-nl@enerpac.com](mailto:sales-nl@enerpac.com)

### Enerpac Integrated Solutions B.V.

Opaalstraat 44  
7554 TS Hengelo  
P.O. Box 421  
7550 AK Hengelo  
The Netherlands  
T +31 74 242 20 45  
F +31 74 243 03 38  
[integratedsolutions@enerpac.com](mailto:integratedsolutions@enerpac.com)

### South Africa and other English speaking African countries

Enerpac Africa Pty Ltd.  
No. 5 Bauhinia Avenue  
Cambridge Office Park  
Block E  
Highveld Techno Park  
Centurion 0157  
South Africa  
T: +27 12 940 0656

### United Kingdom and Ireland

ENERPAC Ltd.,  
Bentley Road South  
Darlaston, West Midlands  
WS10 8LQ  
England  
T +44 (0)121 50 50 787  
F +44 (0)121 50 50 799  
[sales-uk@enerpac.com](mailto:sales-uk@enerpac.com)

### USA, Latin America and Caribbean

ENERPAC  
P.O. Box 3241  
Milwaukee WI 53201 USA  
T +1 262 293 1600  
F +1 262 293 7036  
User inquiries:  
T +1 800 433 2766  
Distributor inquiries/orders:  
T +1 800 558 0530  
F +1 800 628 0490  
Technical inquiries:  
[techservices@enerpac.com](mailto:techservices@enerpac.com)  
[sales-us@enerpac.com](mailto:sales-us@enerpac.com)

All Enerpac products are guaranteed  
against defects in workmanship and  
materials for as long as you own them.

For the location of your nearest authorized  
Enerpac Service Center, visit us at  
[www.enerpac.com](http://www.enerpac.com)

101711