



Repair Parts Sheet

Hydraulic/ Mechanical Spreading Wedges
FSM8 / FSH14 / FSC14

L4389

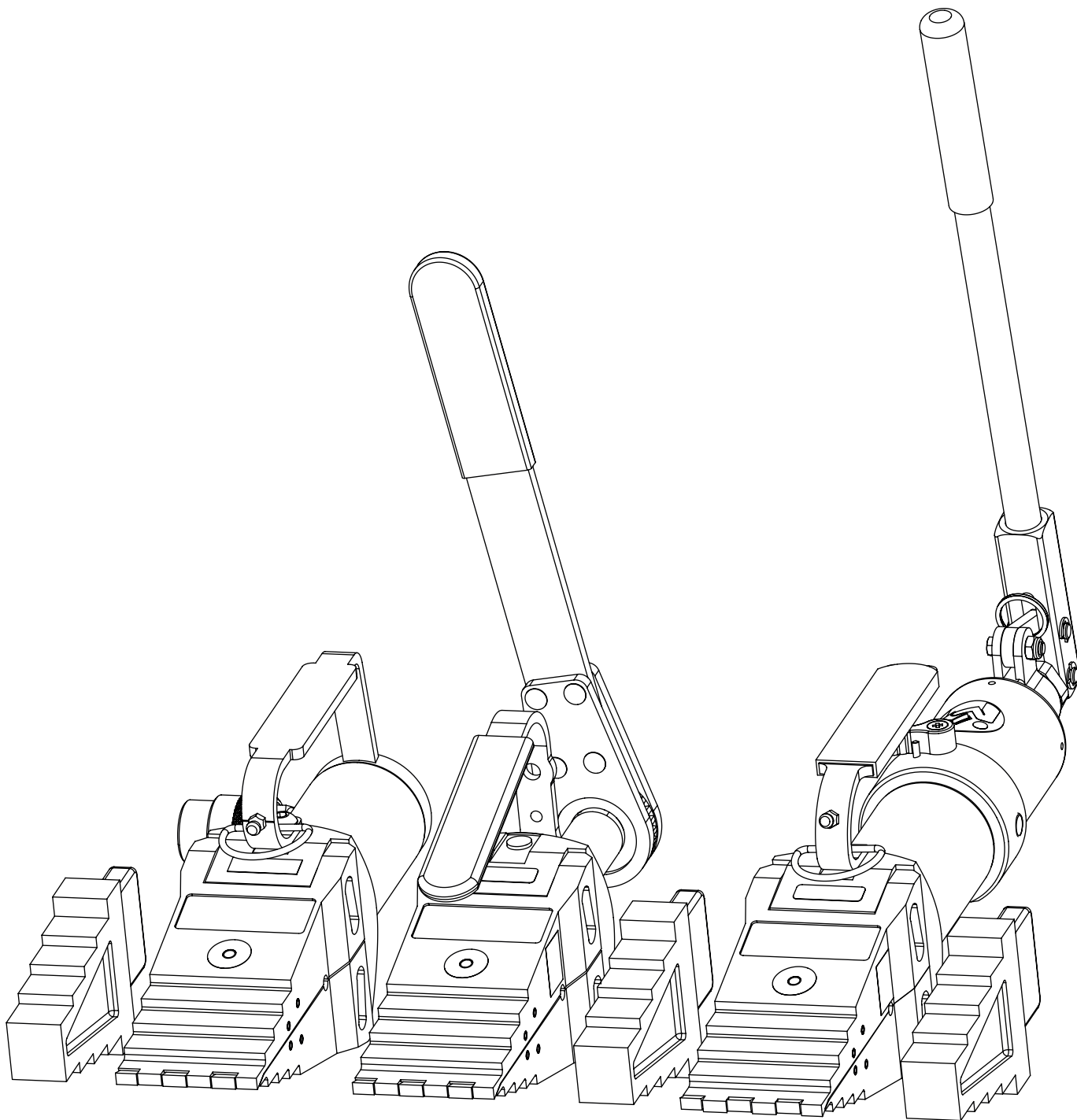
Rev. A

08/19

FSM8 Date Codes Beginning with the Letter "A"
FSH14 Date Codes Beginning with the Letter "A"
FSC14 Date Codes Beginning with the Letter "A"

To Protect Your Warranty, Use Only ENERPAC Hydraulic Oil.

Enerpac recommends that all kit components be installed to ensure optimum performance of the repaired product.



Note:

Items marked * supplied in Repair Kit FS148K.

Items marked ◊ supplied in Sticker Kit FSH14STK.

* Insert grease nipple into grease point located on each of the Jaws;
use a grease gun to pump grease into the Wedge

‡ Smear Grease into the slots positioned at the side of each Jaw (2)
to allow the Pins (5) to slide freely.

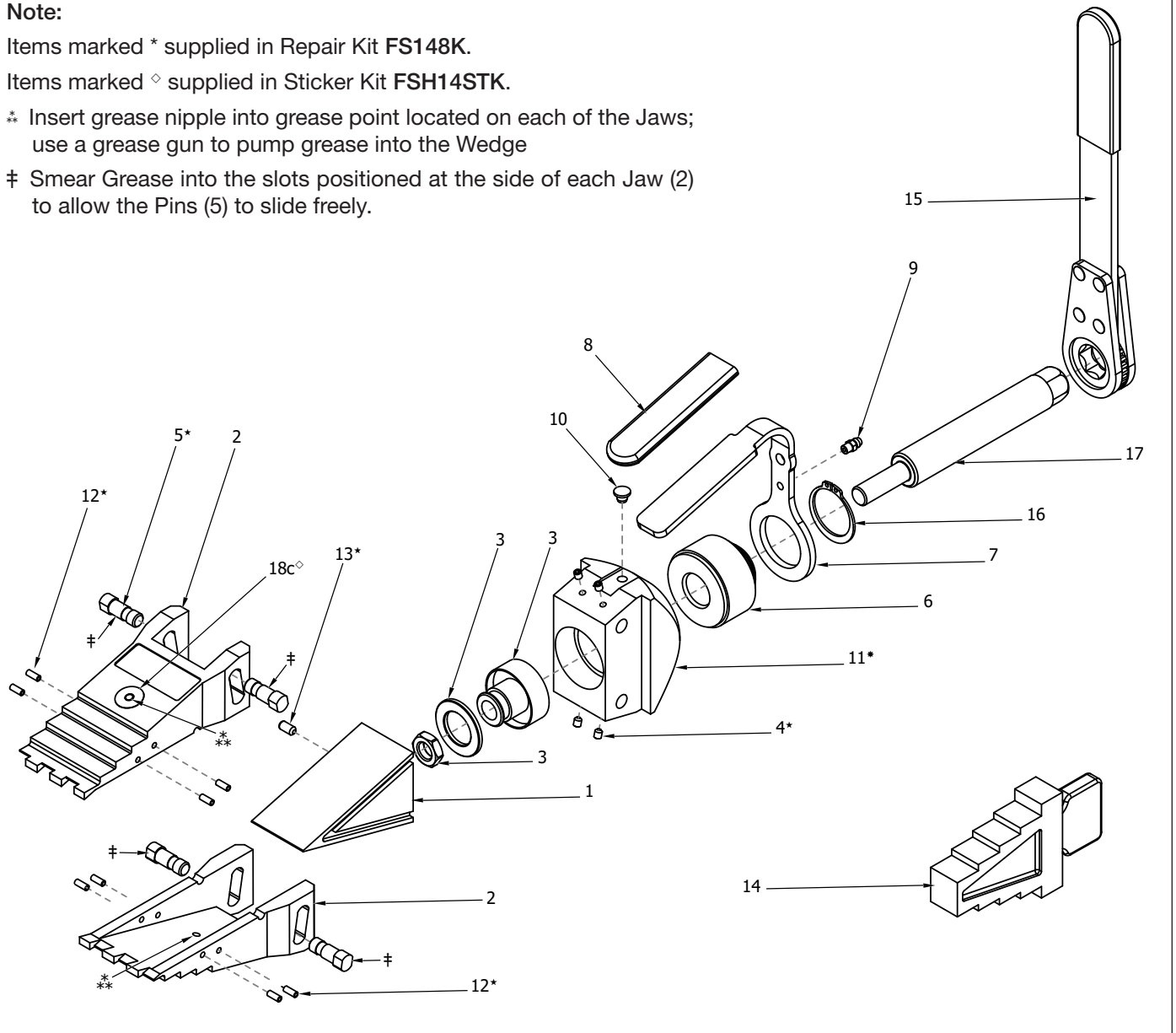


Figure 1, Exploded View, FSM8

Repair Parts List For Figure 1 – FSM8			
Item	Description	Qty	Part Numbers
1	Wedge (includes 1 x item 13)	1	EN300101
2	Jaws (includes 1 set x item 12, 2 x item 18b, 1 x item 18c)	1 set of 2	EN300201
3	Thrust Bearing Assembly.	1	EN301802SR
4	Set Screws	1 set of 4	*
5	Pin	1 set of 4	*
6	Male / Female Coupling	1	EN301901
7	Handle	1	EN302001
8	Handle Sleeve	1	EN401702
9	Grease Pin	1	EN310601
10	Plastic Cap	1	EN060101
11	Body	1	*
12	Split Pins	1 set of 8	*
13	Set Screw	1	*
14	Safety Block	1	SB1
15	Spanner	1	SW22
16	Circlip	1	EN302101
17	Pushrod	1	EN301802SR
18a	Warning Read Instruction Sticker (not shown)	1	◇
18b	Pinch Point Sticker (not shown)	2	◇
18c	Circular Grease Point Sticker	1	◇
19	FSM8 Serial no. Sticker (not shown)	1	Only available upon request
* Repair Kit FS148K Note: Not all parts in Kit are required for FSM8.		◇ Sticker Kit FSH14STK * Not available	
Note: If product date code is 2005 or earlier, replace both Item 1 and Item 2 at the same time.			

Optional Accessories List – FSM8 Wedge Spreader			
Item	Description	Qty	Part Numbers
1	Safety Lanyard Kit	1	FSC1
2	Stepped Block Kit	1	FSB1

Note:

Items marked * supplied in Repair Kit FS148K.

Items marked ◊ supplied in Sticker Kit FSH14STK.

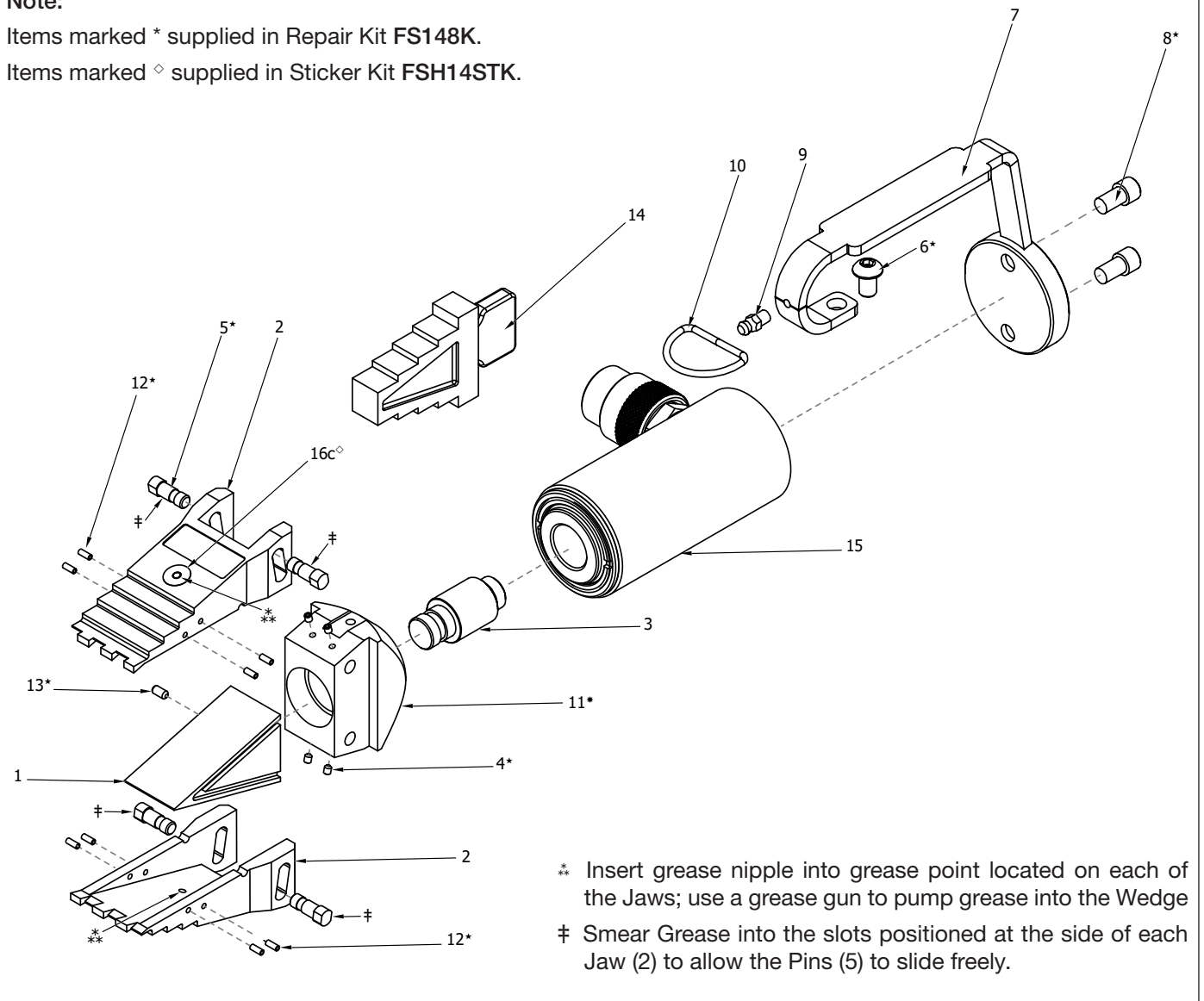


Figure 2, Exploded View, FSH14

Repair Parts List For Figure 2 – FSH14

Item	Description	Qty	Part Numbers
1	Wedge (includes 1 x item 13)	1	EN300101
2	Jaws (includes 1 set x item 12, 2 x item 16b, 1 x item 16c)	1 set of 2	EN300201
3	Connector	1	EN300301
4	Set Screws	1 set of 4	*
5	Pin	1 set of 4	*
6	Handle Screw	1	*
7	Handle	1	EN300701
8	Base Screw	1 set of 2	*
9	Grease Pin	1	EN310601
10	D-Ring	1	EN2080001
11	Body	1	*
12	Split Pins	1 set of 8	*
13	Set Screw	1	*
14	Safety Block	1	SB1
15	Cylinder Assembly	1	RC102
16a	Warning Read Instruction Sticker (not shown)	1	◇
16b	Pinch Point Sticker (not shown)	1	◇
16c	Circular Grease Point Sticker	2	◇
17	FSH14 Serial no. Sticker (not shown)	1 only	Only available upon request
* Repair Kit FS148K * Not available		◇ Sticker Kit FSH14STK	
Note: If product date code is 2005 or earlier, replace both Item 1 and Item 2 at the same time.			
Note: Refer to the RPS for RC-102 for complete parts list and spares kits.			

Optional Accessories List – FSH14 Wedge Spreader

Item	Description	Qty	Part Numbers
1	Safety Lanyard Kit	1	FSC1
2	Stepped Block Kit	1	FSB1

Note:

Items marked **▪** supplied in Repair Kit **FSC14FRK**.

Items marked ***** supplied in Sticker Kit **FSC14STK**.

***** Insert grease nipple into grease point located on each of the Jaws;
use a grease gun to pump grease into the Wedge

‡ Smear Grease into the slots positioned at the side of each Jaw (2)
to allow the Pins (5) to slide freely.

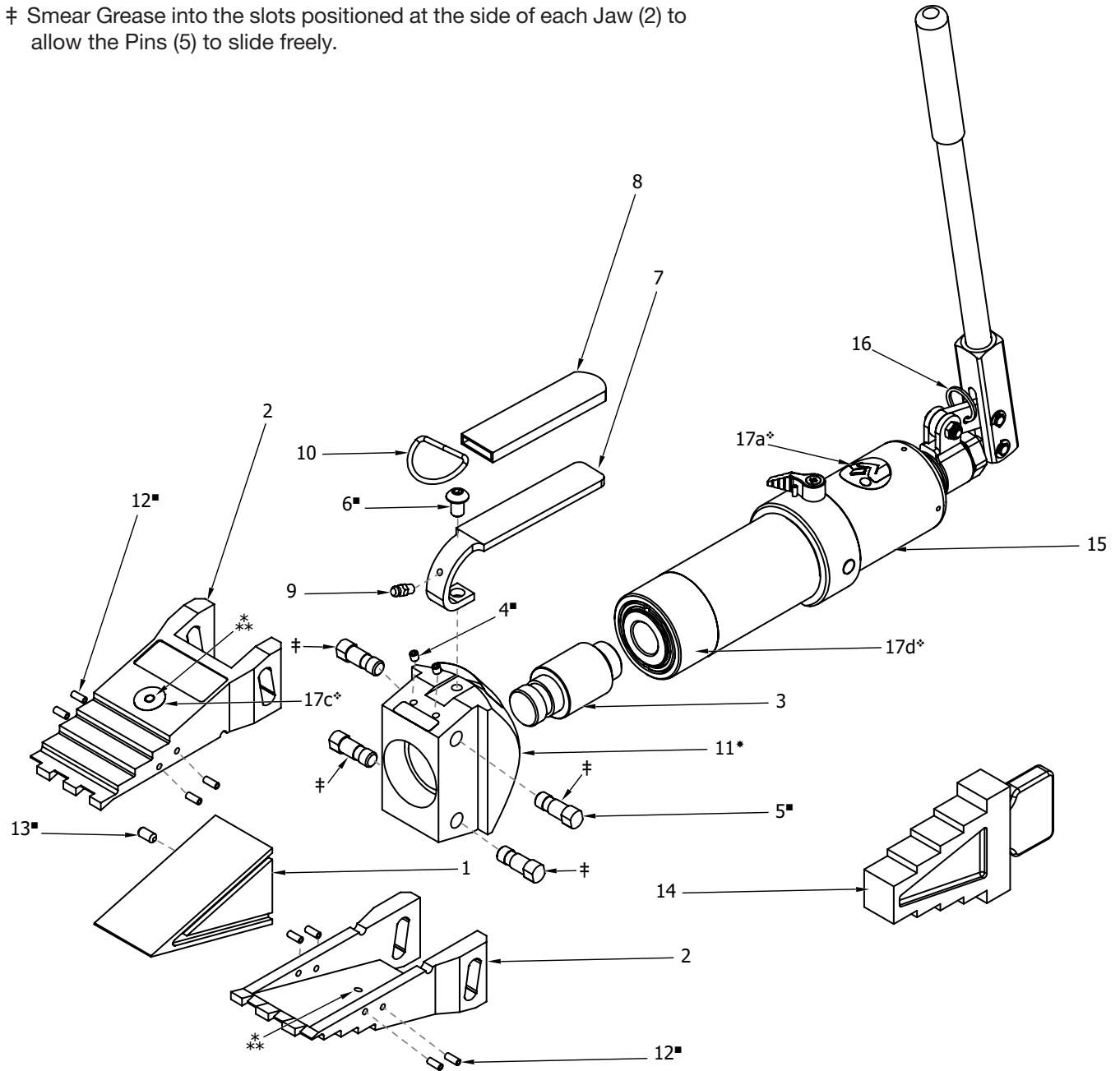


Figure 3, Exploded View, FSC14

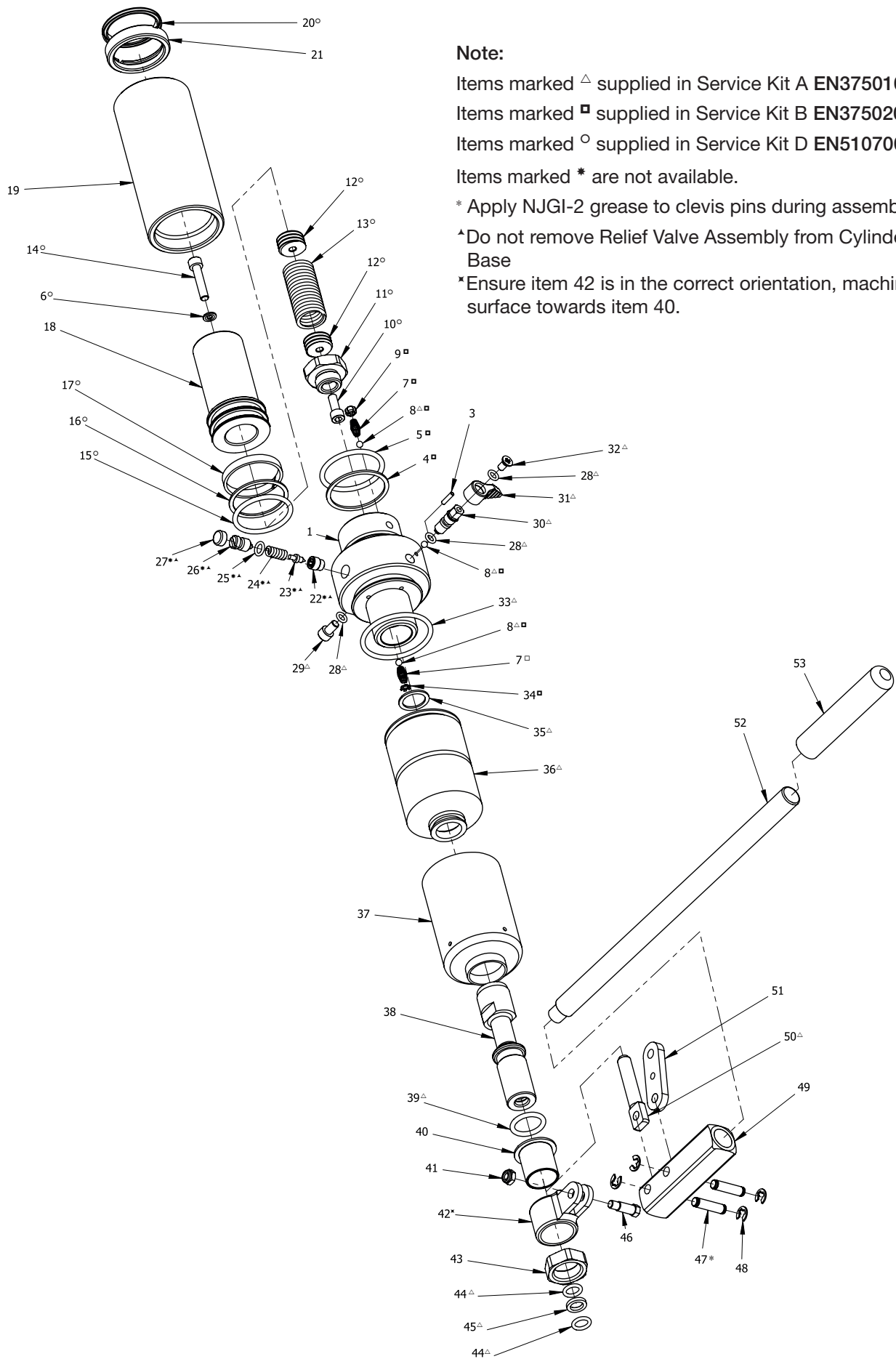
Repair Parts List For Figure 3 – FSC14 Wedge Spreader Head

Item	Description	Qty	Part Numbers
1	Wedge (includes 1 x item 13)	1	EN300101
2	Jaws (includes 1 set x item 12, 2 x item 17b, 1 x item 17c)	1 set of 2	EN300201
3	Push Pin	1	EN300301
4	Set Screws	1 set of 4	■
5	Pin	1 set of 4	■
6	Handle Screw ■	1	FSC14HRK
7	Handle	1	
8	Handle Sleeve	1	
9	Grease Pin	1	
10	D-Ring	1	EN2080001
11	Body	1	*
12	Split Pins	1 set of 8	■
13	Set Screw	1	■
14	Safety Block	1	SB1
15	Integral Pump + Cylinder	1	EN500701
16	Split Ring	1	EN311601
17a	Decal Read Instruction	1	❖
17b	Pinch Point Sticker (not shown)	2	❖
17c	Circular Grease Point Sticker	1	❖
17d	FSC-14 Cylinder Decal	1	❖
18	FSC14 Serial no. Sticker (not shown)	1	Only available upon request
■ Repair Kit FSC14FRK		❖ Sticker Kit FSC14STK	

* Not available

Optional Accessories List – FSC14 Wedge Spreader

Item	Description	Qty	Part Numbers
1	Safety Lanyard Kit	1	FSC1
2	Stepped Block Kit	1	FSB1



Note:

Items marked \triangle supplied in Service Kit A EN375010-01.

Items marked \square supplied in Service Kit B EN375020-01.

Items marked \circ supplied in Service Kit D EN510700-01.

Items marked * are not available.

* Apply NJGI-2 grease to clevis pins during assembly

\wedge Do not remove Relief Valve Assembly from Cylinder Base

\times Ensure item 42 is in the correct orientation, machined surface towards item 40.

Figure 4, Exploded View, FSC14 Pump + Cylinder

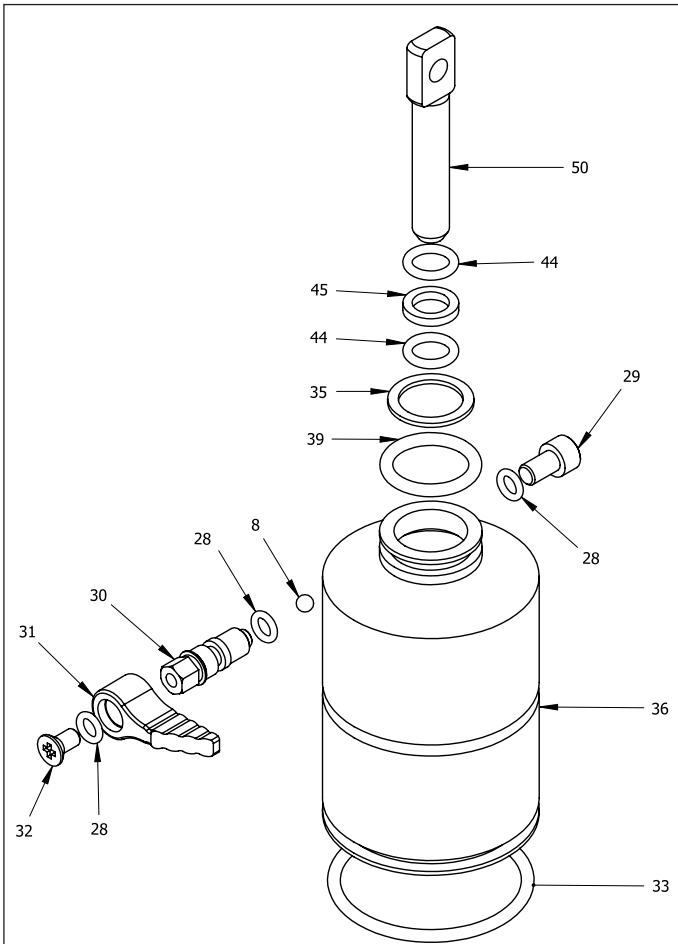


Figure 5, Exploded View, FSC14 Service Kit A

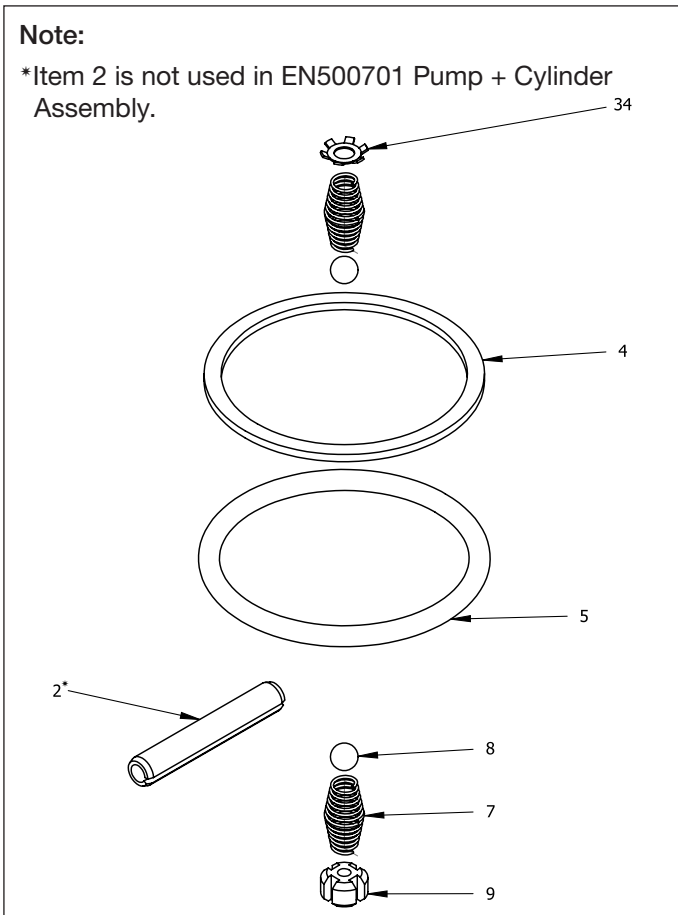


Figure 6, Exploded View, FSC14 Service Kit C

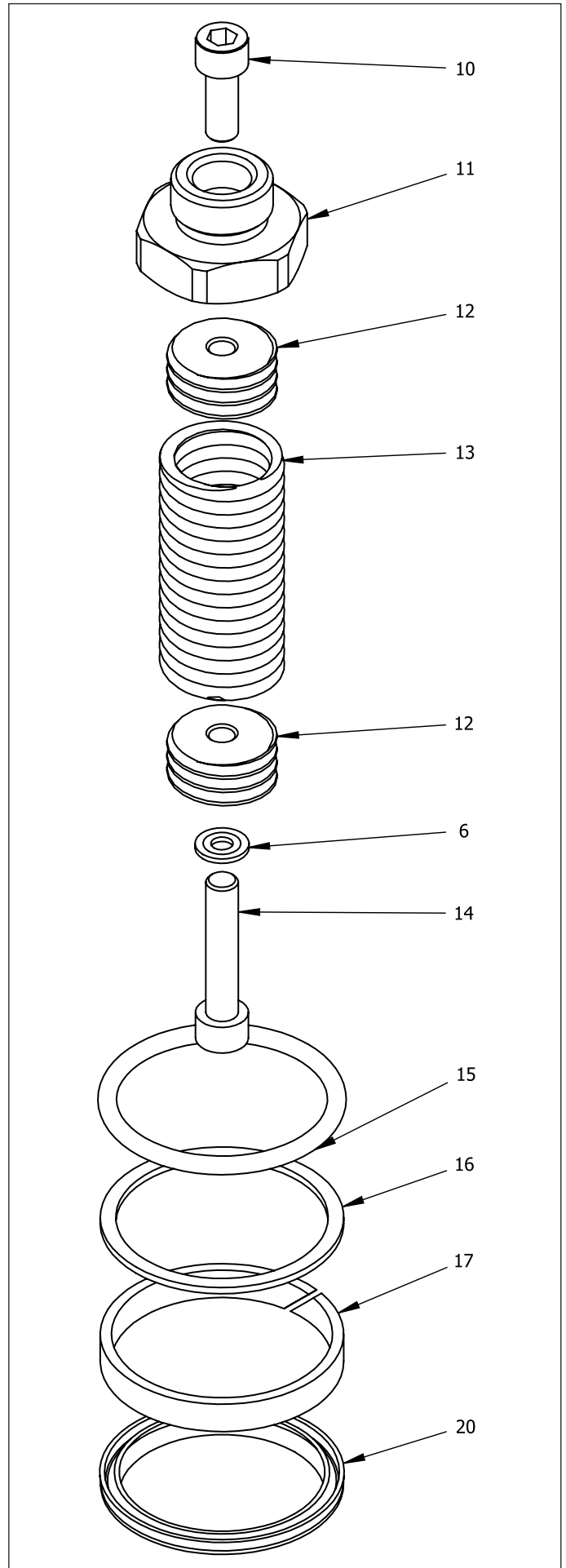


Figure 7, Exploded View, FSC14 Service Kit D

Repair Parts List For Figures 4, 5, 6, 7 – FSC14 Pump + Cylinder (500701-01)

Item	Description	Qty	Kit	Item	Description	Qty	Kit
1	Cylinder Base	1	EN375101	28	O-Ring	3	△
3	Roll Pin	1	EN510712	29	Oil Fill Screw	1	△
4	Back-Up Ring	1	■	30	Relief Valve Screw	1	△
5	O-Ring	1	■	31	Relief Valve Knob	1	△
6	M6 Gasket Seal	1	○	32	Fixing Screw	1	△
7	Spring	2	■	33	O-Ring	1	△
8	Steel Ball	3	△ ■	34	Spring Lock	1	■
9	Seat	1	■	35	Washer	1	△
10	Screw	1	○	36	Reservoir Bladder	1	△
11	Stop Collar	1	○	37	Bladder Housing	1	EN372301
12	Spring Lock	2	○	38	Pump Piston Housing	1	EN376901
13	Spring	1	○	39	O-Ring	1	△
14	Screw	1	○	40	Piston Housing Cap	1	EN372401
15	O-Ring	1	○	41	Anti-Loosen Nut	1	EN373301
16	Back-Up Ring	1	○	42	Swivel Clevis*	1	EN372501
17	Split Ring	1	○	43	Retaining Nut	1	EN372601
18	Piston Rod	1	EN510701	44	O-Ring	1	△
19	Puller Body	1	EN510708	45	Back Up Ring	1	△
20	Wiper	1	○	46	Clevis Screw	1	EN373201
21	Fasten Nut	1	EN510709	47	Clevis Pin *	2	EN372901
22	Cone Seat^	1	*	48	Retaining Ring	2	EN373001
23	Cone^	1	*	49	Handle Clevis	1	EN377101
24	Long Separator Spring^	1	*	50	Pump Piston Rod	1	△
25	O-Ring^	1	*	51	Link Connector	1	EN373101
26	Overload Cover Screw^	1	*	52	Handle Rod	1	EN373401
27	Cap^	1	*	53	Handle Grip	1	EN306502

△ Service Kit A EN375010-01

■ Service Kit C EN375020-01

○ Service Kit D EN510700-01

* Not available

Note: The quantity of a part included in a kit will sometimes be less than the total quantity of that part shown in the repair parts list.

ENERPAC 

TOOLS. SERVICES. SOLUTIONS.

www.enerpac.com