

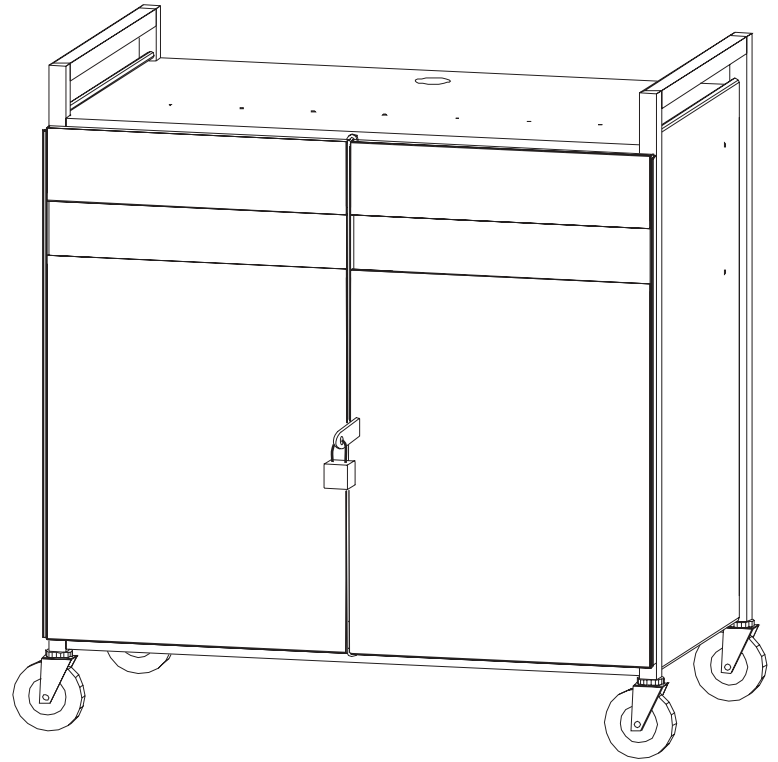


BRETFORD

LAPTG15ESA

ASSEMBLED NOTEBOOK STORAGE CART

Assembly Instructions



Minimal assembly time of 15 minutes required

CAUTION: The power tap included with model LAPTG15E-GM is designed for a standard 15 amp service and is intended to be used for charging 15 laptop computers. Any other use may overload the circuit and cause the circuit breaker to trip. The circuit breaker is built into the on/off switch located on the right side of the power tap above the power cord exit. To reset the circuit breaker, simply turn the power tap off and then on, again.

CAUTION: RISK OF ELECTRICAL SHOCK. DO NOT
PLUG INTO ANOTHER RELOCATABLE POWER TAP.

HARDWARE LIST

<u>Qty</u>	<u>Part#</u>	<u>Description</u>
16	012-0333	Black Adhesive Clip
1	031-3950	Cable ties 11" long
2	030-1066	Padlock (Revised)

TOOLS REQUIRED

Phillips Screwdriver
Straight Screwdriver

NOTE: The black adhesive clips are used for cable management and can be placed in any desired location.

WARRANTIES

BMI engineers and manufactures its products to provide dependable operation. Therefore, BMI warrants that all products it manufactures are, at date of shipment free, from defects in material or workmanship. Therefore, any product which under normal use fails to function within the time periods specified below and found defective in material or workmanship by the Company's inspection will be repaired or replaced without charge to the buyer or, at the election of BMI, a credit will be allowed up to the invoice purchase price of the product. This warranty is inapplicable where, in the judgment of BMI, the defect is attributable to normal wear, misapplication, abnormal use, misuse, modification or damage after shipment, including damage caused by the buyer's failure to properly maintain, or other similar cause.

This warranty is expressly in lieu of any other express or implied warranties, including any other implied warranty of merchantability or fitness for ordinary or particular purpose. There are no other warranties which extend beyond the description on the face hereof.

Bretford Furniture
Ten (12 years from date of shipment.

Electrical Assemblies/Components
One (1) year from date of shipment.



Open Lock The First Time

- 1) Set the combination to 0-0-0-0
- 2) Depress shackle and pull open.

To Set You Own Combination

****REMEMBER:** Combination can only be set when lock is open.

- 1) Insert "reset" tool (included in package) in hole on side of lock.
- 2) Push key in and turn key 90 degrees in either direction.
(Key automatically stays in this position).
Failure to exert force while pushing key in will result in a failed attempt to set or reset combination.
- 3) Set wheels to desired combination.
- 4) Turn and remove reset tool. Lock is now set to new combination.

****BE SURE TO RECORD YOUR COMBINATION.**

- 5) To lock scramble the wheels and close the shackle.
- 6) To reopen dial your combination and depress shackle.

Bretford
11000 Seymour Avenue
Franklin Park, Illinois 60131
Tel: 847.678.2545
800.521.9614
Fax: 847.678.0852
800.343.1779

Bretford Mfg. Ltd.
2 Etongate
110 Winsor Rd, Slough
Berkshire, UK SL1 2JA
Tel: 01753 539955
Fax: 01753 539478

www.bretford.com

Part# 031-6639
Rev. 06.08.10 CZ