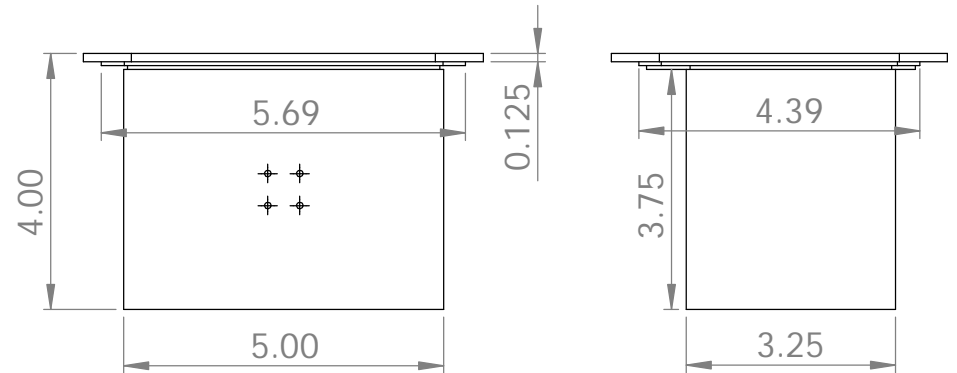
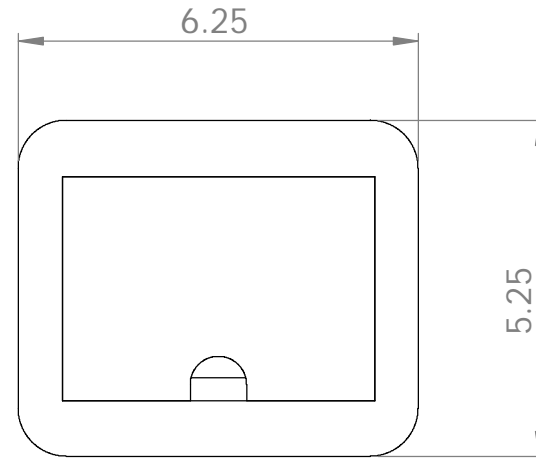
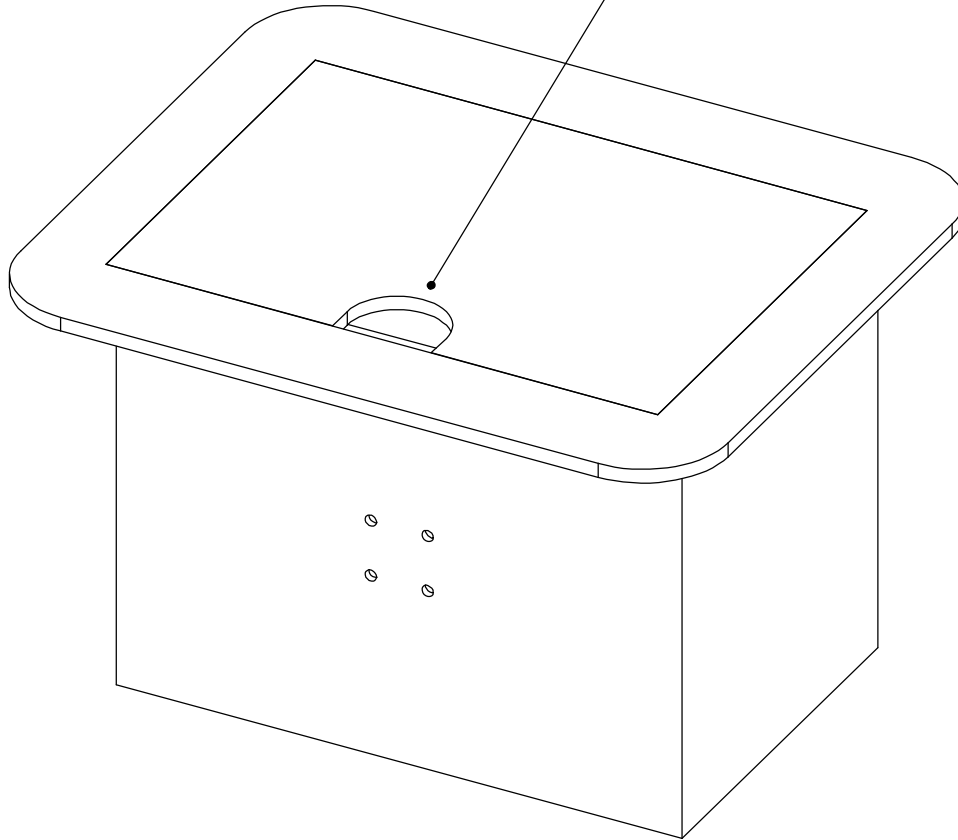


# Touchboards

205 Westwood Ave, Long Branch, NJ 07740  
 Phone: 866-94 BOARDS (26273) / (732)-222-1511  
 Fax: (732)-222-7088 | E-mail: sales@touchboards.com

Flip up panel



**PROPRIETARY AND CONFIDENTIAL**

- The information in this drawing is the sole property of Exact Furniture Limited.

- Specification subject to change without notice.

MATERIAL

FINISH

DO NOT SCALE DRAWING

Date:

Customer:

Model:

COMMENTS:

TITLE:

SIZE

DWG. NO.  
LC - 400 2012

REV

SCALE: 1:2

WEIGHT:

SHEET 1 OF 1