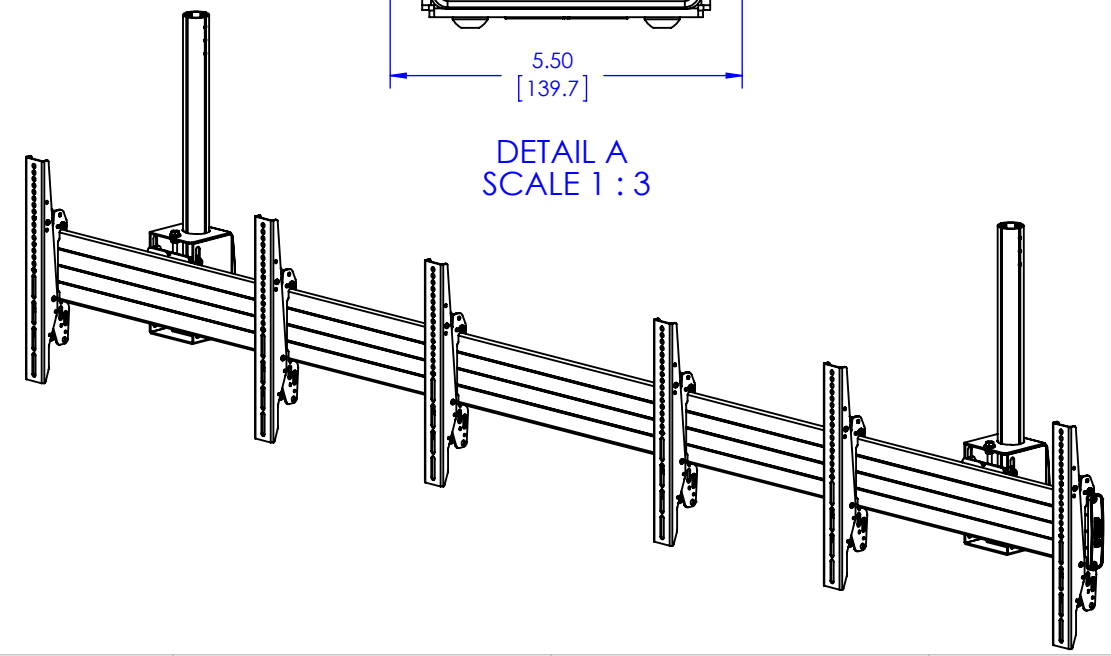


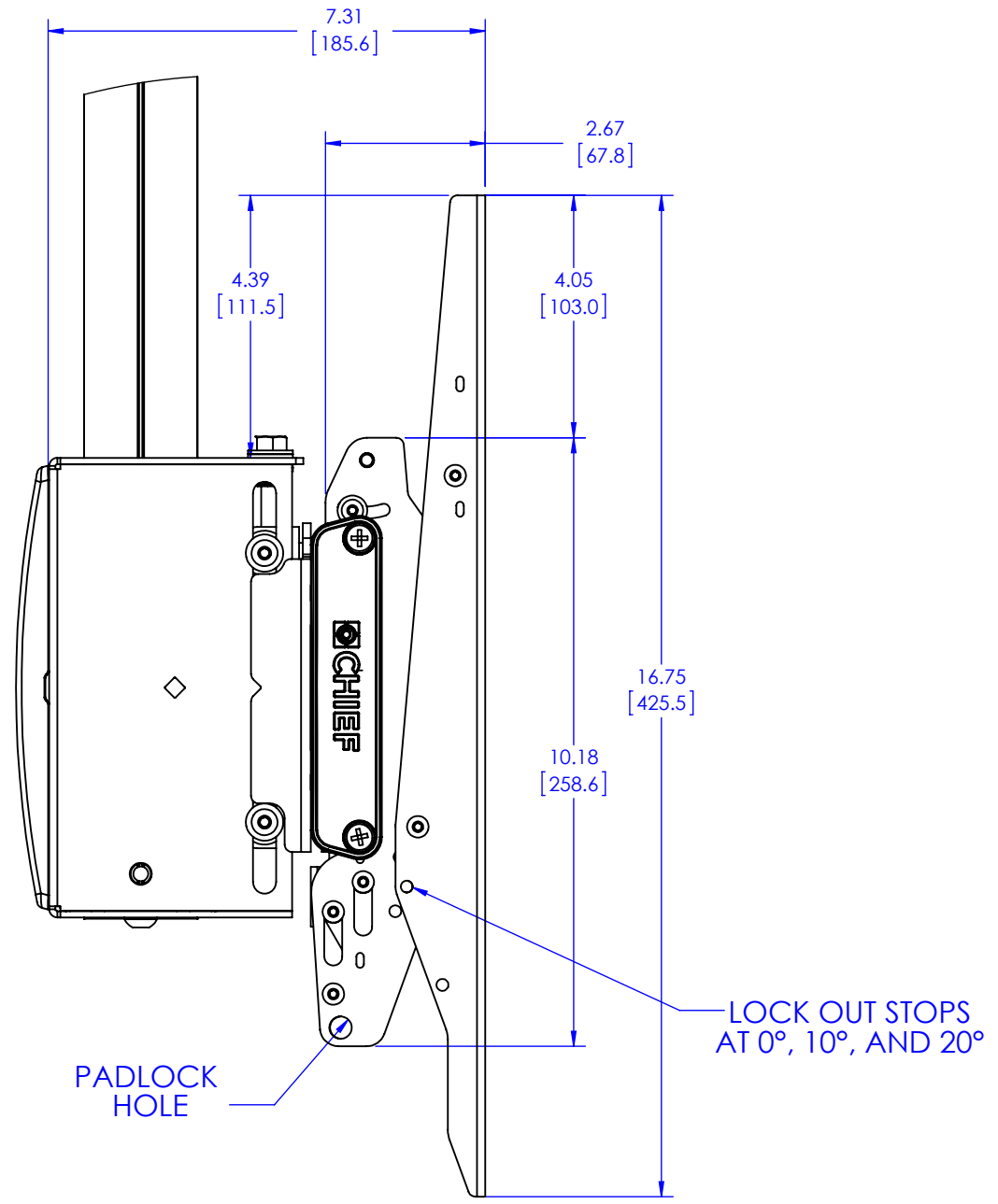
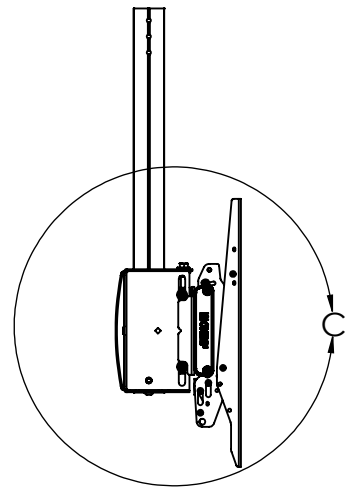
DETAIL A
SCALE 1 : 3

DETAIL B
SCALE 1 : 3

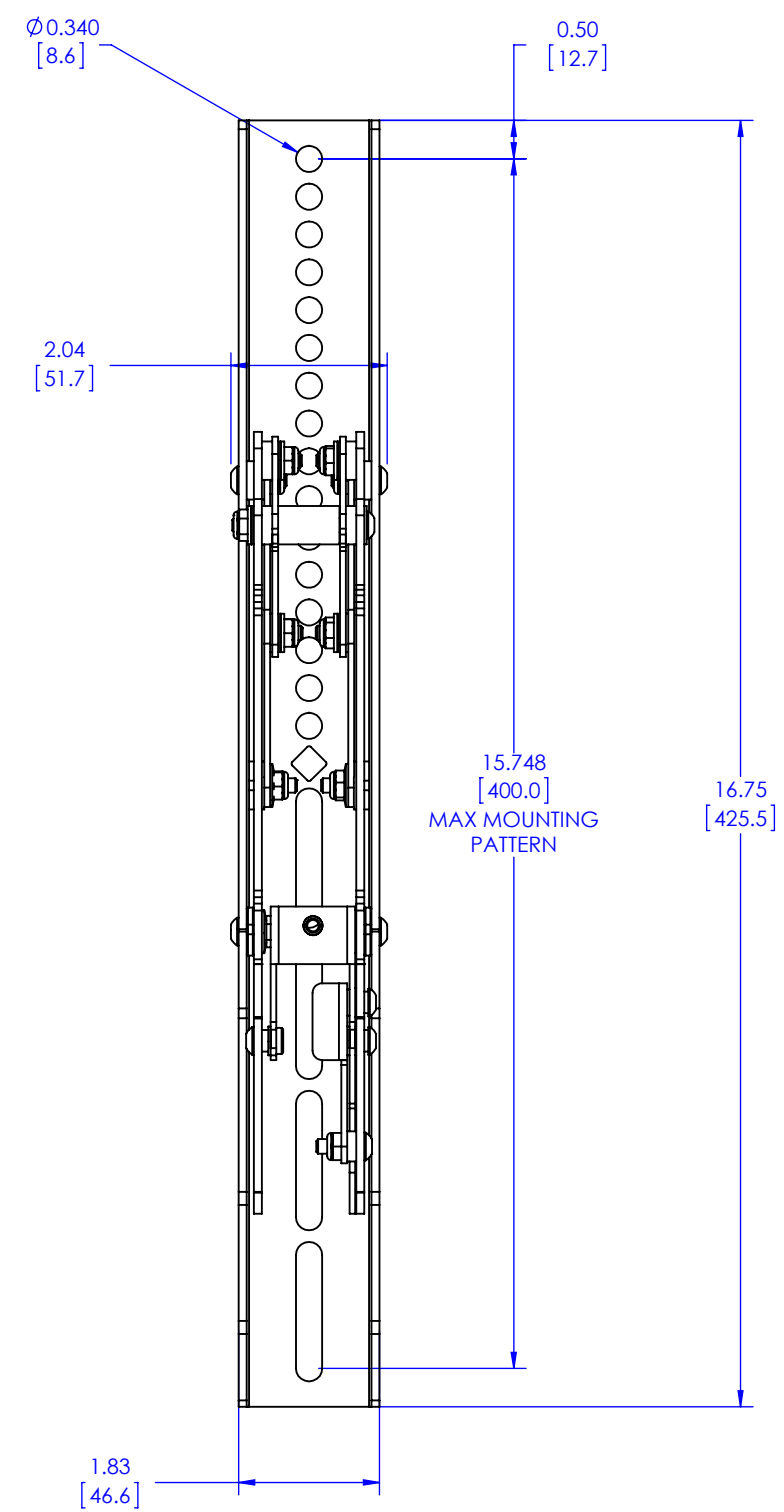


THE INFORMATION AND DESIGNS CONTAINED IN THIS DRAWING ARE CONFIDENTIAL AND THE PROPRIETARY PROPERTY OF MILESTONE AV TECHNOLOGIES NEITHER THIS DESIGN NOR ANY INFORMATION CONTAINED IN THIS DRAWING MAY BE REPRODUCED OR DISCLOSED TO OTHERS WITHOUT THE EXPRESS WRITTEN CONSENT OF MILESTONE AV TECHNOLOGIES.

CAD GENERATED DRAWING, DO NOT MANUALLY UPDATE.			6436 CITY WEST PKWY EDEN PRAIRIE MN, 55344 PHONE: 866-977-3901 FAX: 877-894-6918	
DRAWN BY	JAB 2/22/2013		DESCRIPTION LCM3X1U TECH DRAWING	
ENG APPROVAL		MODEL NO. LCM3X1U		
MFG APPROVAL		SIZE	DWG. NO.	REV.
QA APPROVAL		B	TECH-000333	02
SHEET 1 OF 6		SCALE		
		1:24		

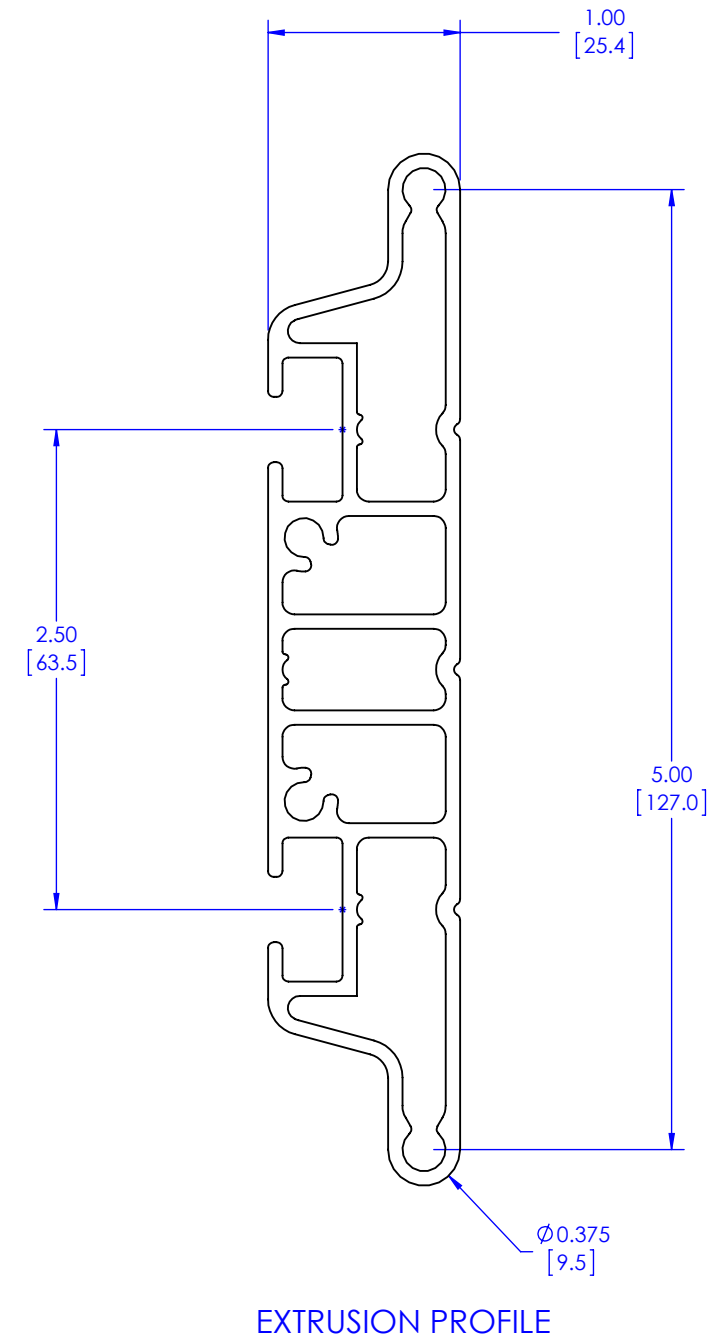


DETAIL C
SCALE 1 : 3

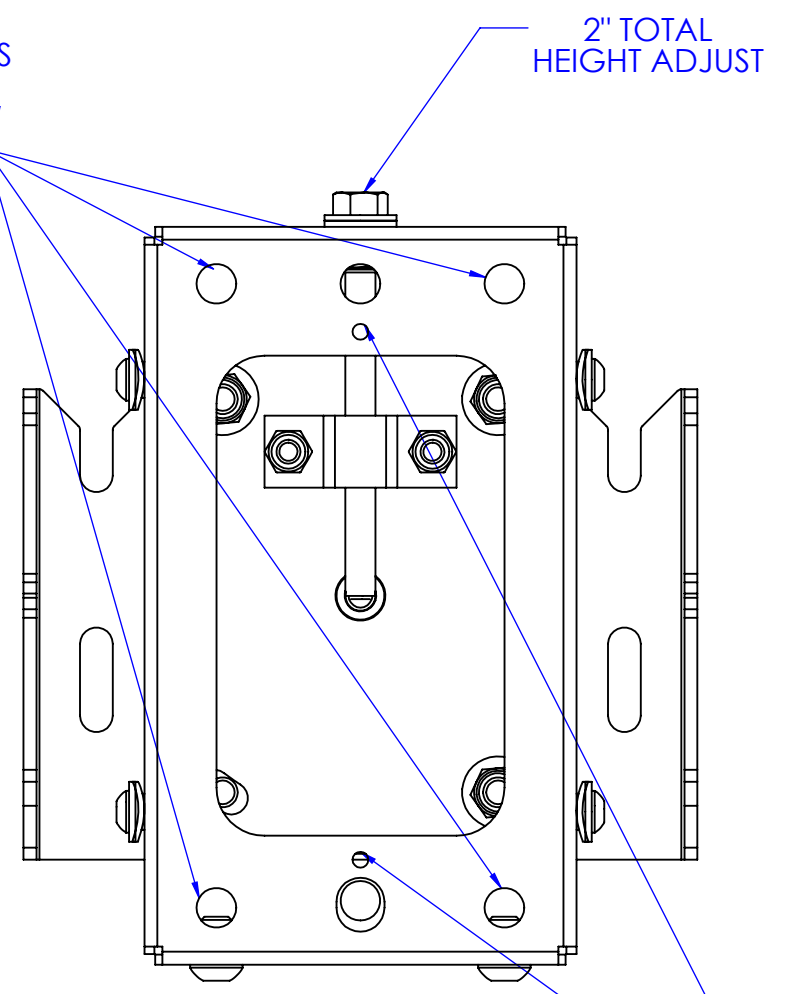


THE INFORMATION AND DESIGNS CONTAINED IN THIS DRAWING ARE CONFIDENTIAL AND THE PROPRIETARY PROPERTY OF MILESTONE AV TECHNOLOGIES NEITHER THIS DESIGN NOR ANY INFORMATION CONTAINED IN THIS DRAWING MAY BE REPRODUCED OR DISCLOSED TO OTHERS WITHOUT THE EXPRESS WRITTEN CONSENT OF MILESTONE AV TECHNOLOGIES.

CAD GENERATED DRAWING, DO NOT MANUALLY UPDATE.			6436 CITY WEST PKWY EDEN PRAIRIE MN, 55344 PHONE: 866-977-3901 FAX: 877-894-6918
DRAWN BY	JAB	2/22/2013	
ENG APPROVAL			DESCRIPTION
MFG APPROVAL			LCM3X1U TECH DRAWING
QA APPROVAL			MODEL NO.
SHEET 2 OF 6			LCM3X1U
SCALE	1:24	SIZE	DWG. NO.
		B	TECH-000333
			REV.
			02



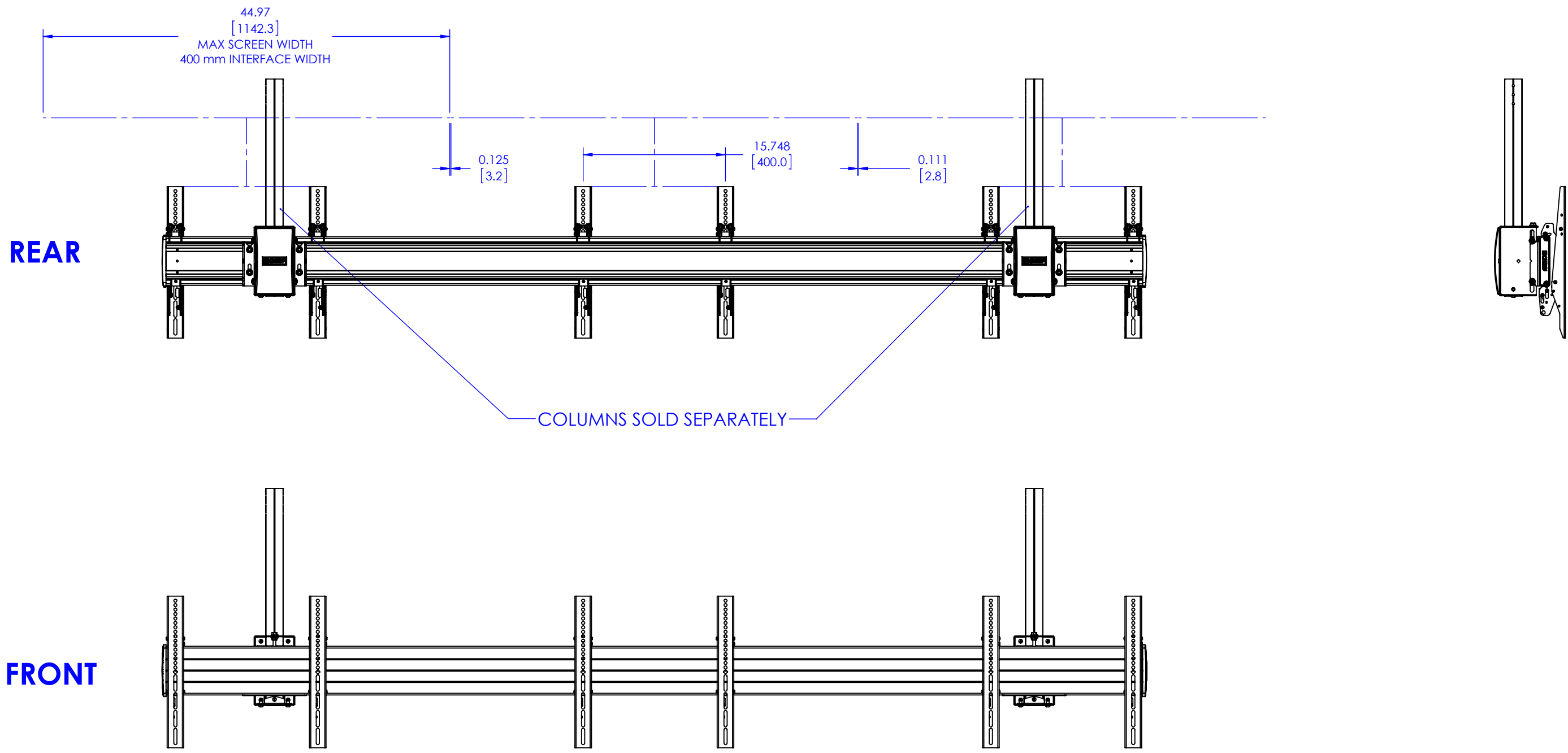
FOR MOUNTING
OPTIONAL CPU ENCLOSURES
FCA510 AND FCA515
OR ATTACHING BACK ROW
FOR MENU BOARD



FOR ATTACHING
FCA540 OUTLET
BOX ACCESSORY

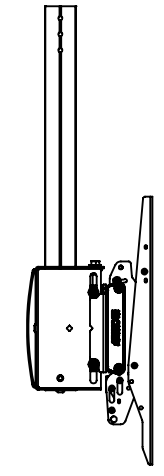
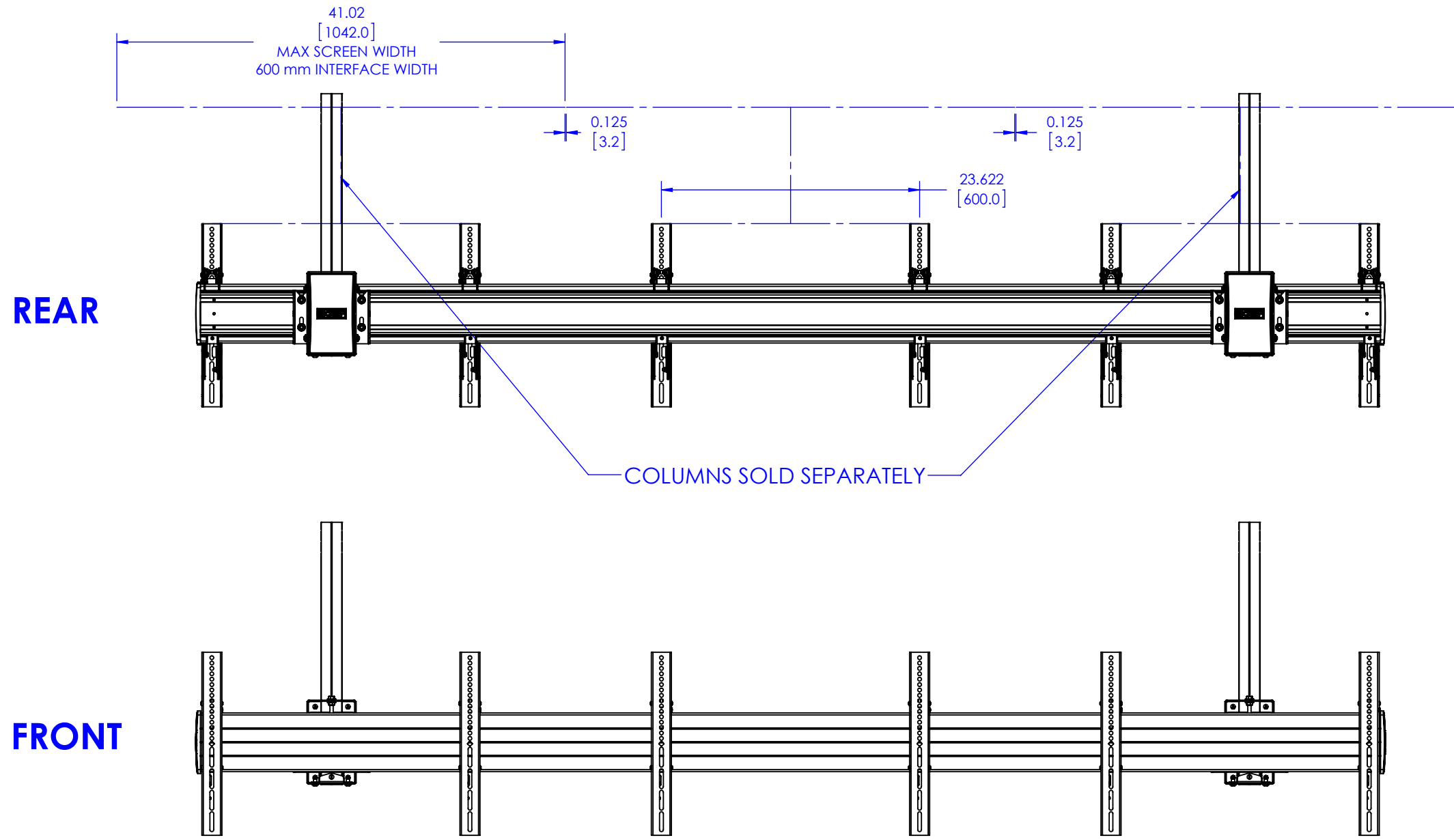
THE INFORMATION AND DESIGNS CONTAINED IN THIS DRAWING ARE CONFIDENTIAL AND THE PROPRIETARY PROPERTY OF MILESTONE AV TECHNOLOGIES NEITHER THIS DESIGN NOR ANY INFORMATION CONTAINED IN THIS DRAWING MAY BE REPRODUCED OR DISCLOSED TO OTHERS WITHOUT THE EXPRESS WRITTEN CONSENT OF MILESTONE AV TECHNOLOGIES.

CAD GENERATED DRAWING, DO NOT MANUALLY UPDATE.			6436 CITY WEST PKWY EDEN PRAIRIE MN, 55344 PHONE: 866-977-3901 FAX: 877-894-6918	
DRAWN BY	JAB	2/22/2013	DESCRIPTION LCM3X1U TECH DRAWING	
ENG APPROVAL			MODEL NO. LCM3X1U	
MFG APPROVAL			SIZE DWG. NO. B TECH-000333	
QA APPROVAL			REV. 02	
SHEET 3 OF 6			SCALE 1:4	



THE INFORMATION AND DESIGNS CONTAINED IN THIS DRAWING ARE CONFIDENTIAL AND THE PROPRIETARY PROPERTY OF MILESTONE AV TECHNOLOGIES NEITHER THIS DESIGN NOR ANY INFORMATION CONTAINED IN THIS DRAWING MAY BE REPRODUCED OR DISCLOSED TO OTHERS WITHOUT THE EXPRESS WRITTEN CONSENT OF MILESTONE AV TECHNOLOGIES.

CAD GENERATED DRAWING, DO NOT MANUALLY UPDATE.			6436 CITY WEST PKWY EDEN PRAIRIE, MN, 55344 PHONE: 866-977-3901 FAX: 877-894-6918
DRAWN BY	JAB	2/22/2013	
ENG APPROVAL			DESCRIPTION
MFG APPROVAL			LCM3X1U TECH DRAWING
QA APPROVAL			MODEL NO.
SHEET 4 OF 6			LCM3X1U
SCALE	1:24	SIZE	DWG. NO.
		B	TECH-000333
			REV.
			02

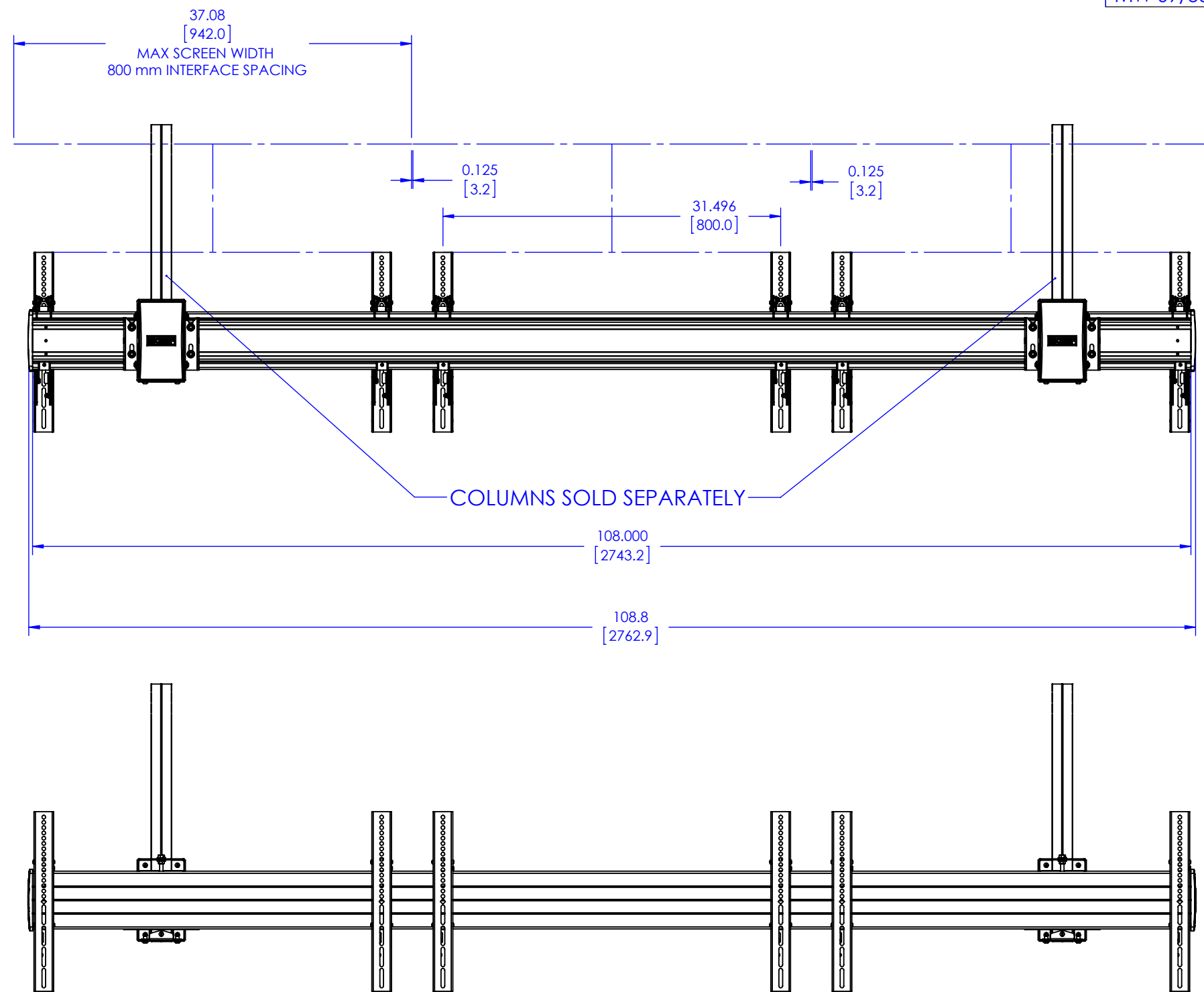


THE INFORMATION AND DESIGNS CONTAINED IN THIS DRAWING ARE CONFIDENTIAL AND THE PROPRIETARY PROPERTY OF MILESTONE AV TECHNOLOGIES NEITHER THIS DESIGN NOR ANY INFORMATION CONTAINED IN THIS DRAWING MAY BE REPRODUCED OR DISCLOSED TO OTHERS WITHOUT THE EXPRESS WRITTEN CONSENT OF MILESTONE AV TECHNOLOGIES.

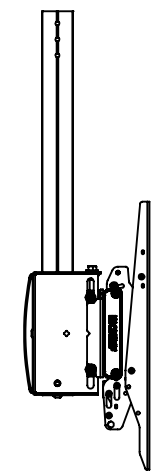
CAD GENERATED DRAWING, DO NOT MANUALLY UPDATE.			6436 CITY WEST PKWY EDEN PRAIRIE MN, 55344 PHONE: 866-977-3901 FAX: 877-894-6918
DRAWN BY	JAB	2/22/2013	
ENG APPROVAL			DESCRIPTION
MFG APPROVAL			LCM3X1U TECH DRAWING
QA APPROVAL			MODEL NO.
SHEET 5 OF 6			LCM3X1U
SCALE	1:24	SIZE	DWG. NO.
		B	TECH-000333
			REV.
			02

REAR

FRONT



COLUMNS SOLD SEPARATELY



THE INFORMATION AND DESIGNS CONTAINED IN THIS DRAWING ARE CONFIDENTIAL AND THE PROPRIETARY PROPERTY OF MILESTONE AV TECHNOLOGIES NEITHER THIS DESIGN NOR ANY INFORMATION CONTAINED IN THIS DRAWING MAY BE REPRODUCED OR DISCLOSED TO OTHERS WITHOUT THE EXPRESS WRITTEN CONSENT OF MILESTONE AV TECHNOLOGIES.

CAD GENERATED DRAWING, DO NOT MANUALLY UPDATE.			6436 CITY WEST PKWY EDEN PRAIRIE MN, 55344 PHONE: 866-977-3901 FAX: 877-894-6918			
DRAWN BY	JAB	2/22/2013				
ENG APPROVAL			DESCRIPTION			
MFG APPROVAL			LCM3X1U TECH DRAWING			
QA APPROVAL			MODEL NO.			
SHEET 6 OF 6			SCALE	SIZE	DWG. NO.	REV.
			1:24	B	TECH-000333	02