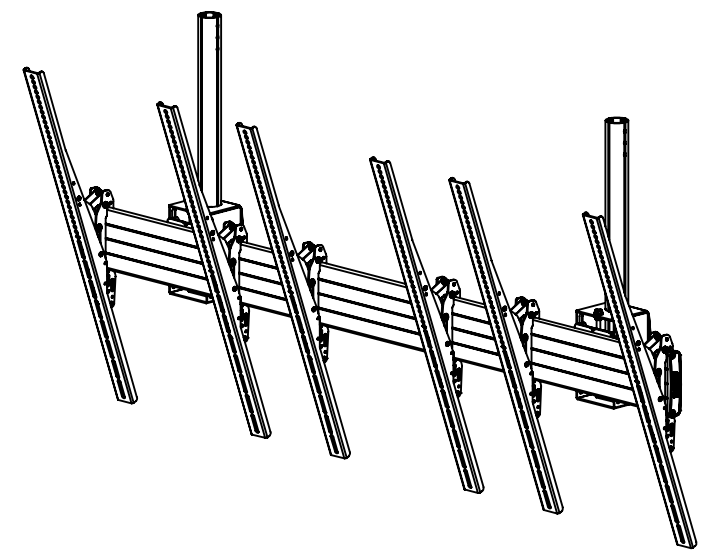


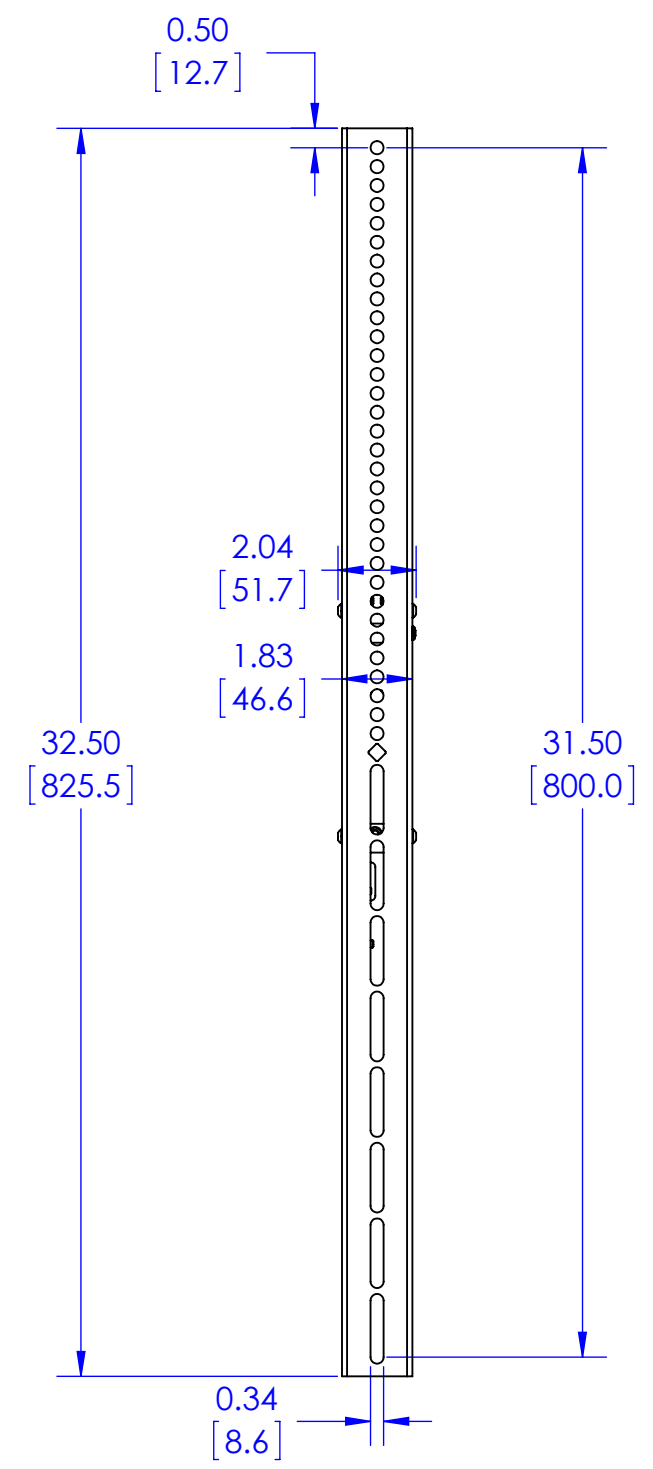
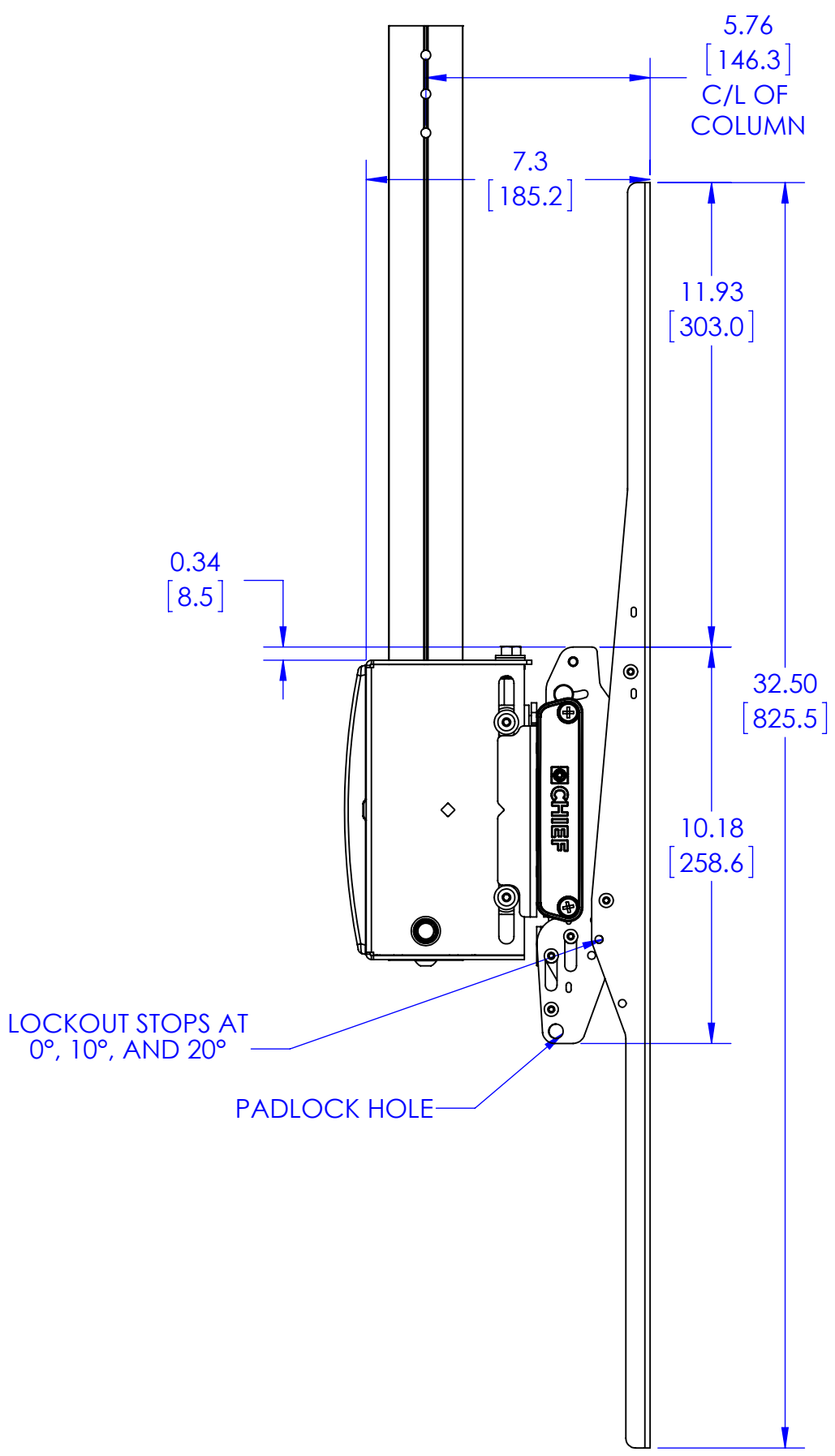
DETAIL A
SCALE 1 : 2.5

DETAIL B
SCALE 1 : 2.5



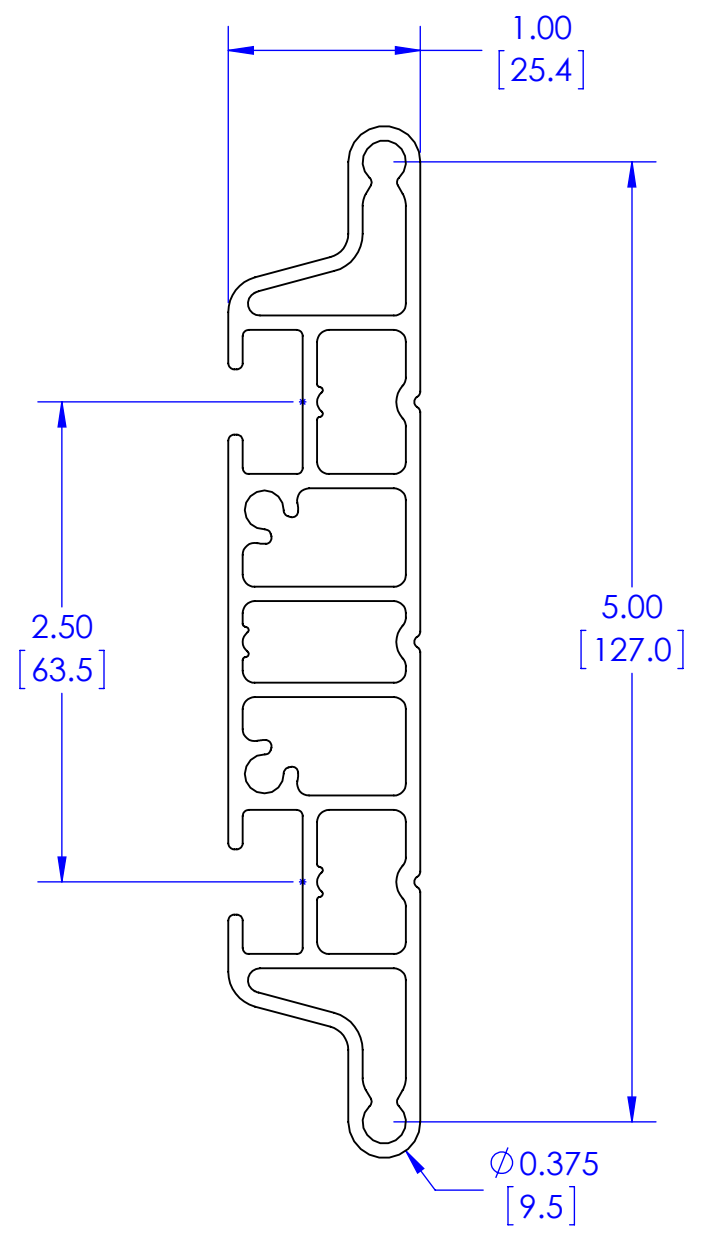
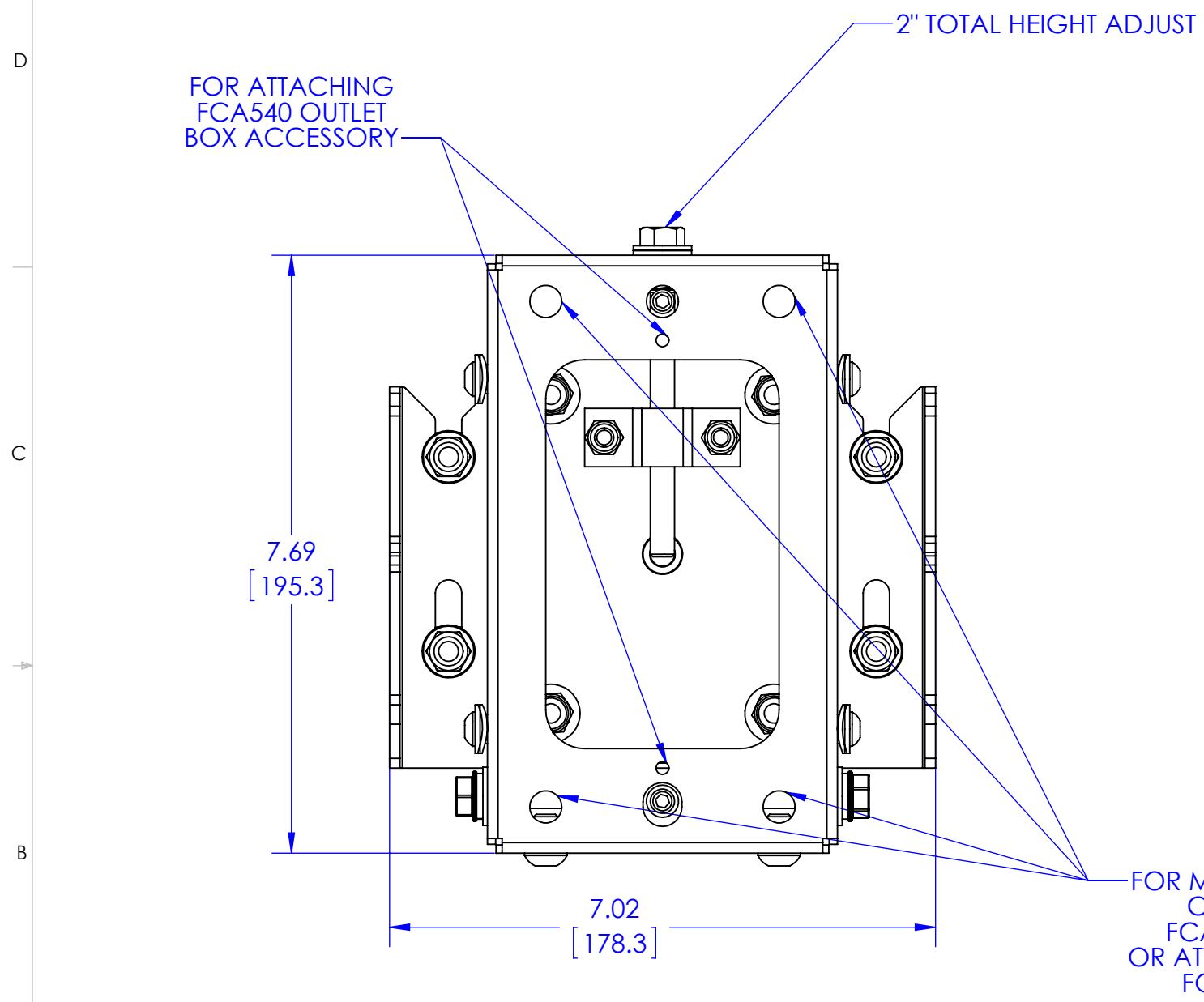
THE INFORMATION AND DESIGNS CONTAINED IN THIS DRAWING ARE CONFIDENTIAL AND THE PROPRIETARY PROPERTY OF MILESTONE AV TECHNOLOGIES NEITHER THIS DESIGN NOR ANY INFORMATION CONTAINED IN THIS DRAWING MAY BE REPRODUCED OR DISCLOSED TO OTHERS WITHOUT THE EXPRESS WRITTEN CONSENT OF MILESTONE AV TECHNOLOGIES.

CAD GENERATED DRAWING, DO NOT MANUALLY UPDATE.				6436 CITY WEST PKWY EDEN PRAIRIE MN, 55344 PHONE: 866-977-3901 FAX: 877-894-6918	
DRAWN BY	JAB	3/26/2013		DESCRIPTION MENU-BOARD, 3 WIDE, 2 COLUMN, PORTRAIT	
ENG APPROVAL			MODEL NO. LCM3X1UP		
MFG APPROVAL			SIZE	DWG. NO.	REV.
QA APPROVAL			B	TECH-000343	00
SHEET 1 OF 4			SCALE		
			1:24		



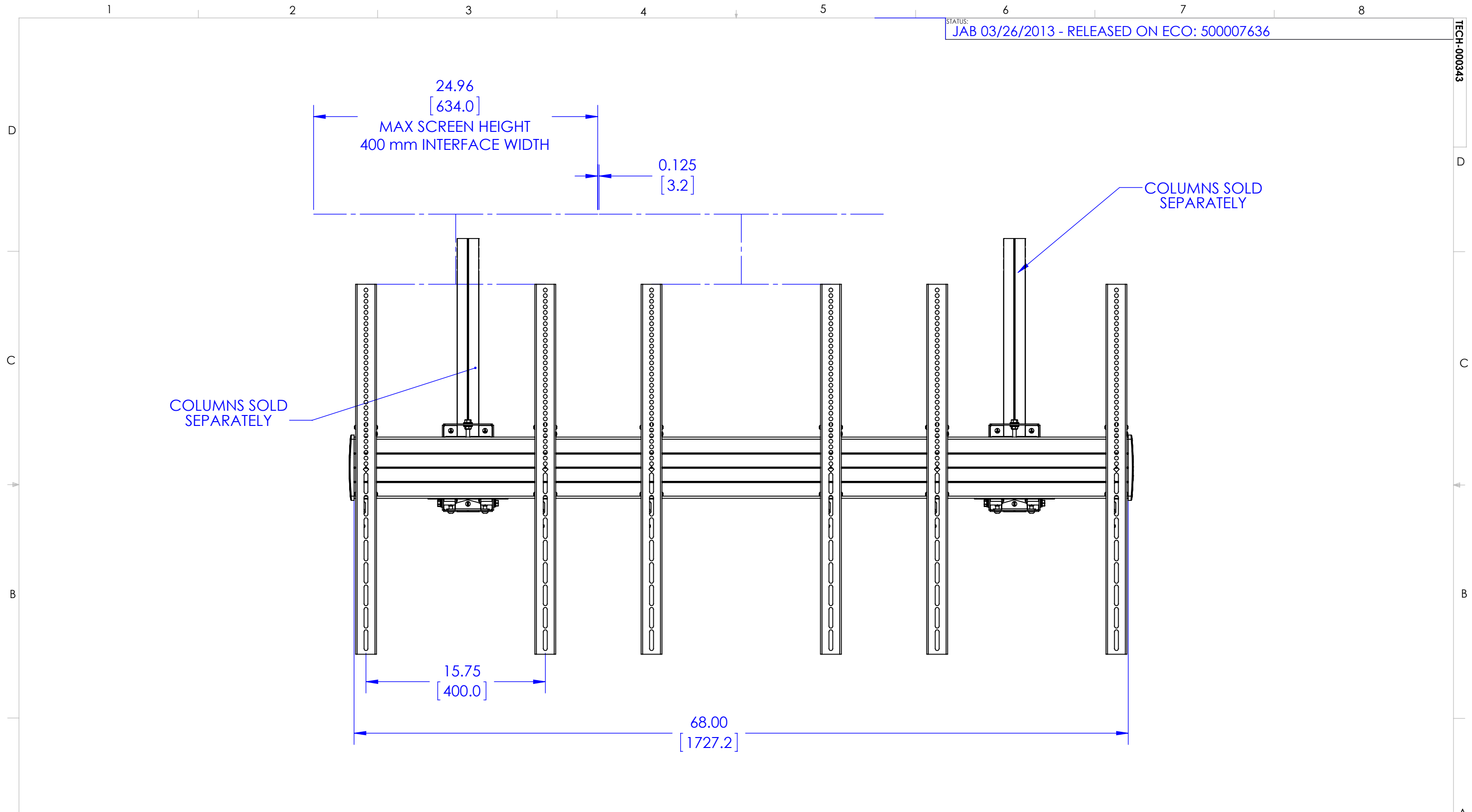
THE INFORMATION AND DESIGNS CONTAINED IN THIS DRAWING ARE CONFIDENTIAL AND THE PROPRIETARY PROPERTY OF MILESTONE AV TECHNOLOGIES NEITHER THIS DESIGN NOR ANY INFORMATION CONTAINED IN THIS DRAWING MAY BE REPRODUCED OR DISCLOSED TO OTHERS WITHOUT THE EXPRESS WRITTEN CONSENT OF MILESTONE AV TECHNOLOGIES.

CAD GENERATED DRAWING, DO NOT MANUALLY UPDATE.			<p>6436 CITY WEST PKWY EDEN PRAIRIE MN, 55344 PHONE: 866-977-3901 FAX: 877-894-6918</p>
DRAWN BY	JAB	3/26/2013	
ENG APPROVAL			DESCRIPTION
MFG APPROVAL			MENU-BOARD, 3 WIDE, 2 COLUMN, PORTRAIT
QA APPROVAL			MODEL NO.
SHEET 2 OF 4			LCM3X1UP
SCALE	1:24	SIZE	DWG. NO.
		B	TECH-000343
		REV.	00



THE INFORMATION AND DESIGNS CONTAINED IN THIS DRAWING ARE CONFIDENTIAL AND THE PROPRIETARY PROPERTY OF MILESTONE AV TECHNOLOGIES NEITHER THIS DESIGN NOR ANY INFORMATION CONTAINED IN THIS DRAWING MAY BE REPRODUCED OR DISCLOSED TO OTHERS WITHOUT THE EXPRESS WRITTEN CONSENT OF MILESTONE AV TECHNOLOGIES.

CAD GENERATED DRAWING, DO NOT MANUALLY UPDATE.			6436 CITY WEST PKWY EDEN PRAIRIE MN, 55344 PHONE: 866-977-3901 FAX: 877-894-6918
DRAWN BY	JAB	3/26/2013	
ENG APPROVAL			DESCRIPTION
MFG APPROVAL			MENU-BOARD, 3 WIDE, 2 COLUMN, PORTRAIT
QA APPROVAL			MODEL NO.
SHEET 3 OF 4			LCM3X1UP
SCALE	1:4	SIZE	DWG. NO.
		B	TECH-000343
			REV.
			00



THE INFORMATION AND DESIGNS CONTAINED IN THIS DRAWING ARE CONFIDENTIAL AND THE PROPRIETARY PROPERTY OF MILESTONE AV TECHNOLOGIES NEITHER THIS DESIGN NOR ANY INFORMATION CONTAINED IN THIS DRAWING MAY BE REPRODUCED OR DISCLOSED TO OTHERS WITHOUT THE EXPRESS WRITTEN CONSENT OF MILESTONE AV TECHNOLOGIES.

CAD GENERATED DRAWING, DO NOT MANUALLY UPDATE.			6436 CITY WEST PKWY EDEN PRAIRIE MN, 55344 PHONE: 866-977-3901 FAX: 877-894-6918
DRAWN BY	JAB	3/26/2013	
ENG APPROVAL			DESCRIPTION
MFG APPROVAL			MENU-BOARD, 3 WIDE, 2 COLUMN, PORTRAIT
QA APPROVAL			MODEL NO.
SHEET 4 OF 4			LCM3X1UP
SCALE	1:24	SIZE	DWG. NO.
		B	TECH-000343
		REV.	00