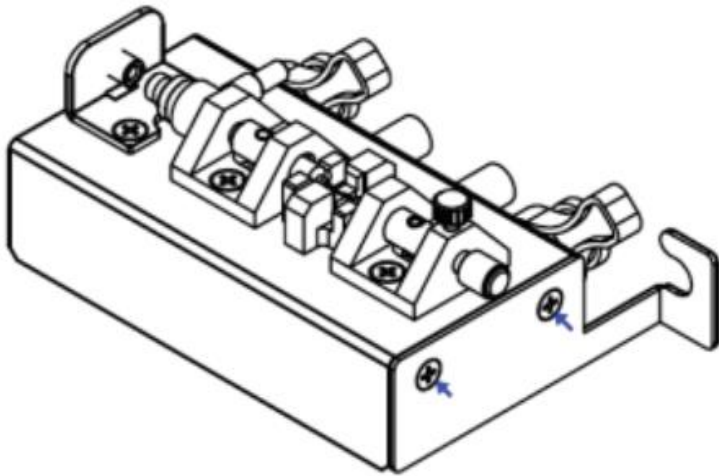


High Frequency Test Fixtures



LCR-15A Test Fixture for chip type components.

Model	LCR-15A
DUT Connector	2-Terminal
Measurement Frequency	DC to 30MHz
Maximum Voltage	$\pm 45V$ Peak max. (AC+DC)
Application size	0201 – 1812, <5mm
Dimensions:	105W x 47H x 69D mm
Weight	185g
Operating Environment	0~50°C, <70%RH