

TECHNICAL SPECIFICATIONS

VIDEO	
Format	(2) DVI-D Single Link
Maximum Pixel Clock	165 MHz
Input Interface (TX)	(2) DVI-D 29-pin (Female)
Output Interface (RX)	(2) DVI-D 29-pin (Female)
Resolution	Up to 1920 x 1200 @ 60Hz and Up to 4K/2K (3840x2160) @ 30Hz
DDC	5 volts p-p(TTL)
Input Equalization	Automatic
Input Cable Length	Up to 20 ft.
Output Cable Length	Up to 20 ft.
AUDIO	
Signal Type	Stereo Audio
Bandwidth	15MHz, 0dB
Impedance	100 Ohm
Connector	3.5 mini jack, Female
USB	
Signal Type	USB 1.1
Input Interface (TX)	(1) USB Type B (Female)
Output Interface (RX)	(2) USB Type A (Female)
RS232	
Input Interface	DB9 (Female)
Output Interface	DB9 (Male)
Control	@ 115 Kbps

WHAT'S IN THE BOX?

PART NO.	DESCRIPTION
LDX-2PS	Dual DVI-D, USB, Dual RS-232, and Audio Extender. Includes: [LDX-2P-TX, LDX-2P-RX, 2x (PS5VDC3A)]

OTHER	
Power	External 100-240 VAC/5VDC3A @15W
Dimensions	5.125 in W x 1 in H x 3.625 in D
Weight	1 lb.
Operating Temp.	0-55 °C (32-131 °F)
Storage Temp.	-20-85 °C (-4-185 °F)
Humidity	Up to 95%
Max Resolution Video Extension Distance	245 ft. w/ CAT6 STP

TRANSMIT ON DB9 FEMALE

PIN	Name	Description
2	TxD	Transmit Data on DB9 Female
3	RxD	Receive Data on DB9 Female
5	GND	Ground

RECEIVE ON DB9 FEMALE

PIN	Name	Description
2	RxD	Receive Data on DB9 Female
3	TxD	Transmit Data on DB9 Female
5	GND	Ground



Designed and Manufactured in the USA

800.AVI.2131

Tel: (818) 503-6200 Fax: (818) 503-6208
11651 Vanowen St. North Hollywood, CA 91605

SmartAVI.com

Smart-AVI
SMART AUDIO VIDEO INNOVATION

LDX-2P



Dual Head DVI-D, USB Keyboard, Mouse and Audio Extender Over Cat5e/6

EXTEND DUAL DVI-D, DUAL RS232, USB KEYBOARD, MOUSE AND AUDIO UP TO 245 FEET OVER DUAL CAT5/5E/6 CABLE

USER MANUAL

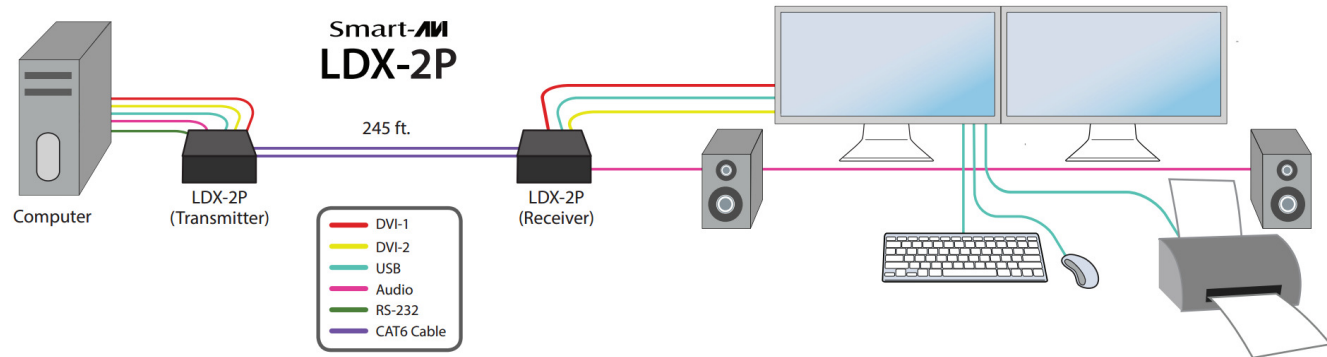
INTRODUCTION

Using HDBaseT technology, the LDX-2P DVI extender is capable of sending dual DVI-D signals up to 245 feet over two conventional and inexpensive CAT5/5e/6 cable. HDBaseT technology is superior to older DVI extenders that require special CAT6 shielded cable to go a short distance. The SDX-2P also has USB keyboard and mouse, audio and RS232 extension, giving you the ability to control your displays or devices remotely.

FEATURES

- Extends dual DVI-D up to 245 feet (75m) from the source
- HDCP Support
- Supports up to 1920x1200 digital video resolution @ 60 Hz
- Supports 4K/2K (3840x2160) video resolution @ 30Hz
- Automatic DDC Learning
- USB Keyboard and Mouse extension
- Uncompressed Video HDBaseT
- RS232 extension allows for remote control of displays
- External power adapter for transmitter and receiver unit
- Supports Stereo Sound
- Compatible with Windows, Mac and Linux Operating Systems

APPLICATION DIAGRAM

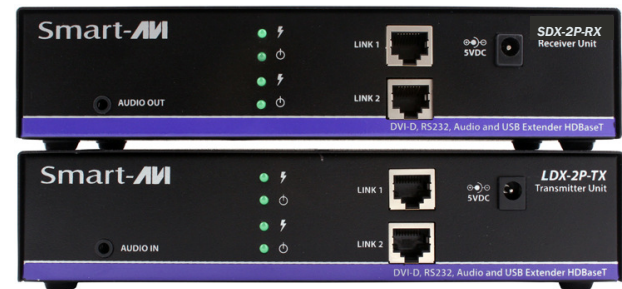


CONNECTING THE LDX-2P

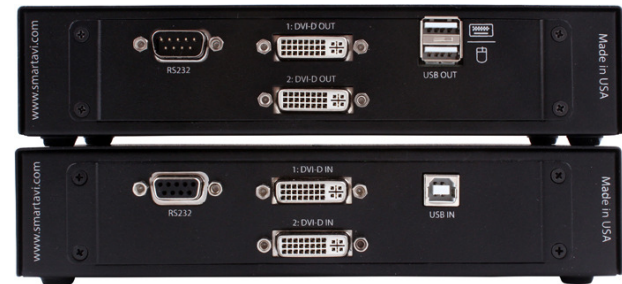
1. Power off all devices.
2. Connect two DVI-D sources (computer) to the two DVI-D ports on the back of the SDX-2P-TX.
3. Connect a USB source (computer) to the USB port on the SDX-2P-TX.
4. Optionally connect RS232 for control functions.
5. Connect the SDX-2P-TX to the SDX-2P-RX with two CAT5 UTP (Unshielded Twisted Pair) cables.
6. Connect a DVI-D compatible display to each of the two DVI-D ports on the back of the SDX-2P-RX.
7. Connect USB keyboard and mouse to the USB ports on the SDX-2P-RX.
8. Optionally connect RS232 for control functions.
9. Connect the power to the SDX-2P-RX and the SDX-2P-TX.
10. Power on the display and then the computer.

The EDID of your display will be learned automatically.

LDX-2P (RX/TX) FRONT



LDX-2P (RX/TX) REAR



To reach maximum distances with HDBaseT technology, it is recommended to use the best possible quality cable available. CAT5e/6 shielded cabling is ideal for best performance.