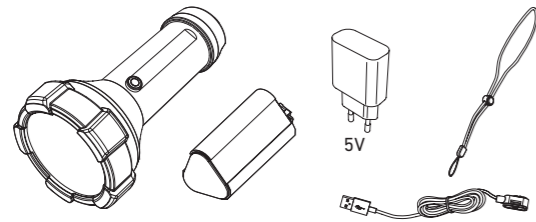
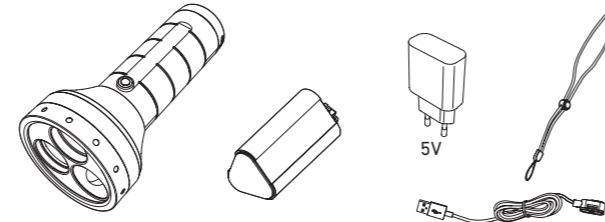


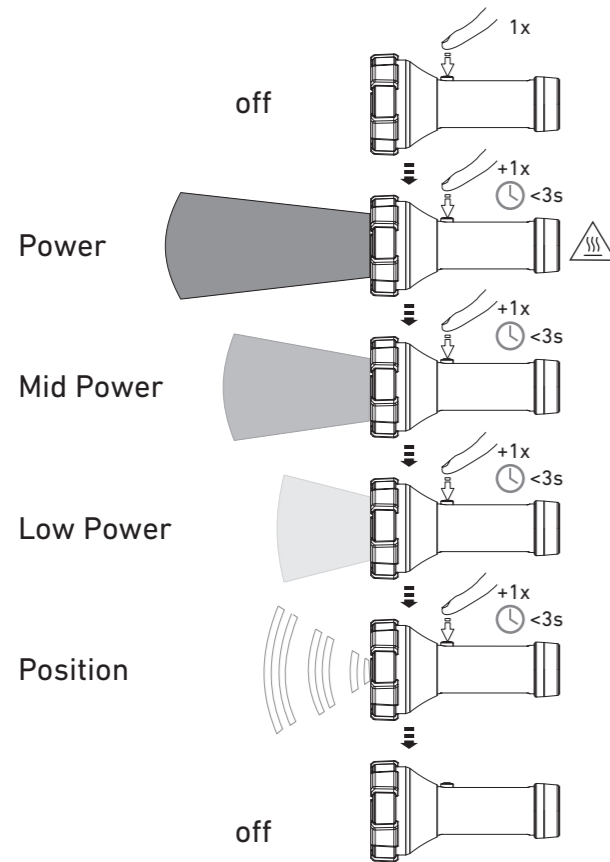
P18R Work



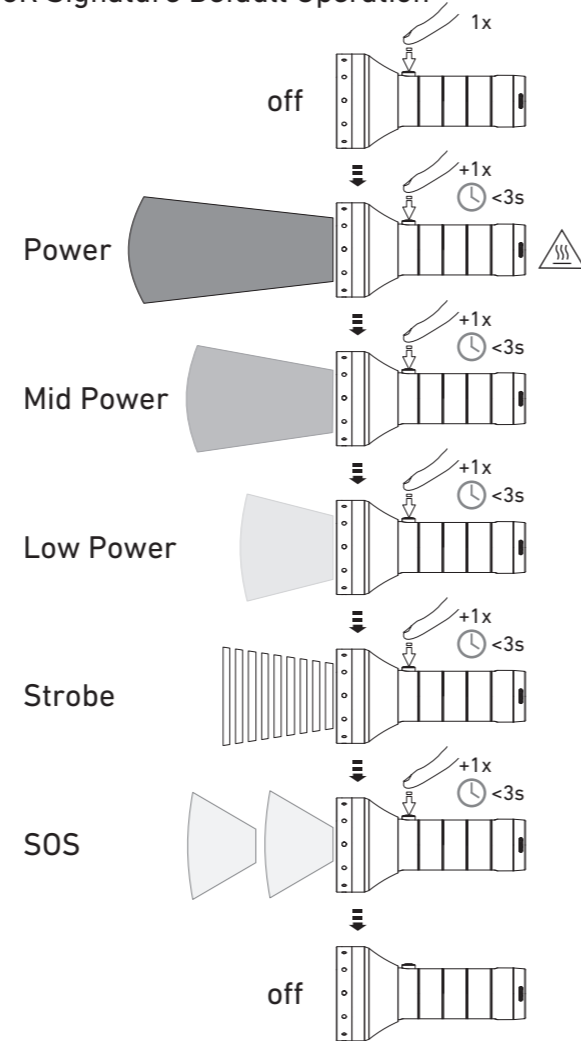
P18R Signature



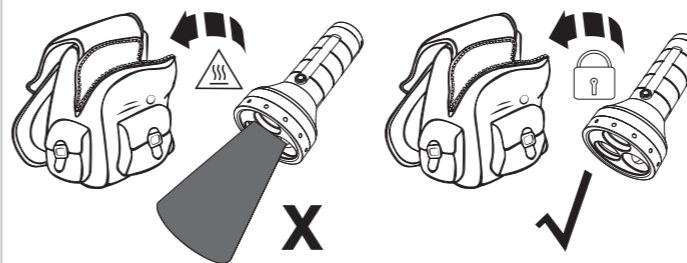
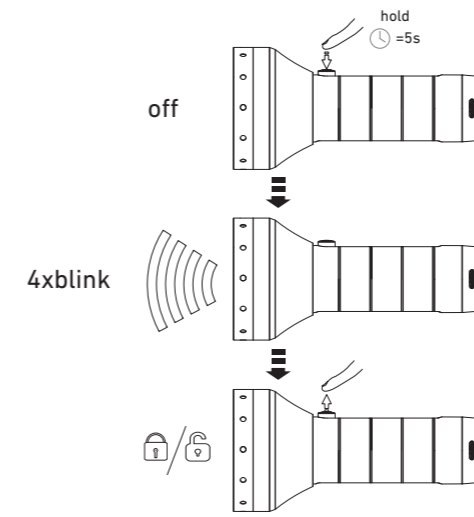
P18R Work Default Operation



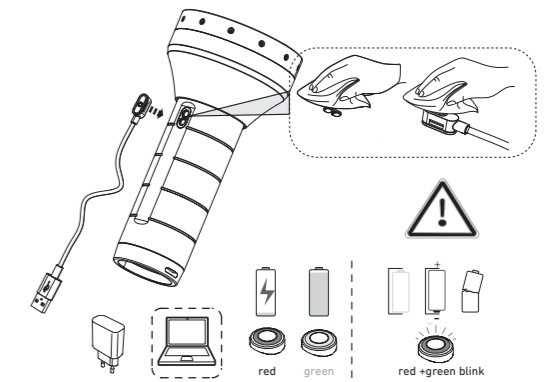
P18R Signature Default Operation



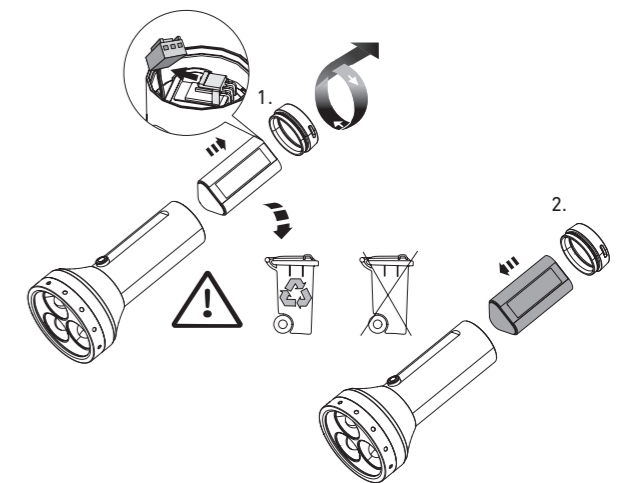
Transportation Lock



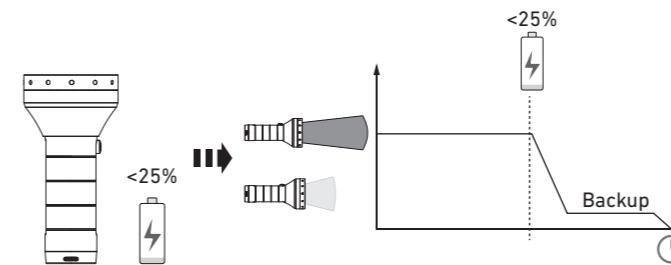
Magnetic Charging System



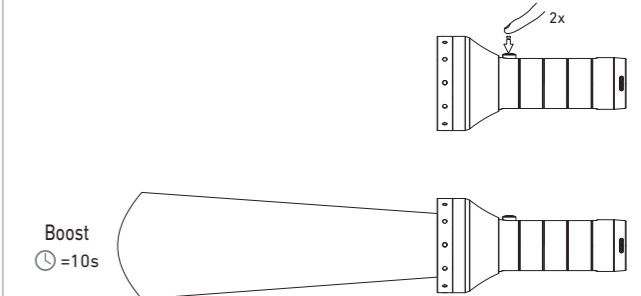
Battery Replacement



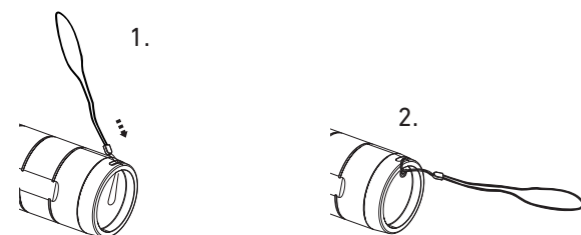
Backup Mode



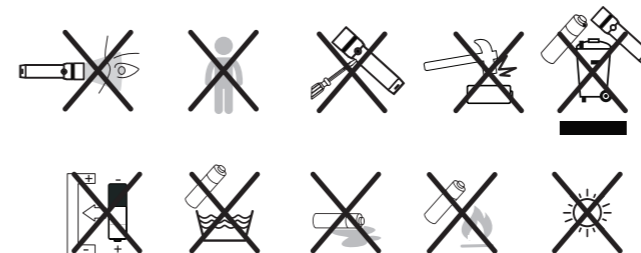
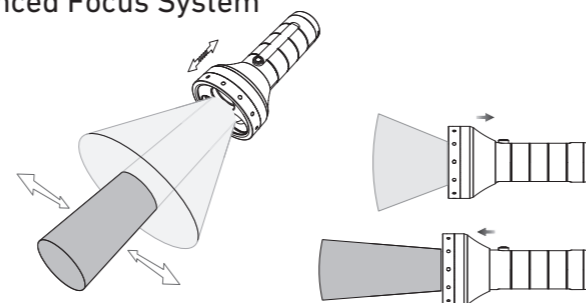
Boost



Lanyard



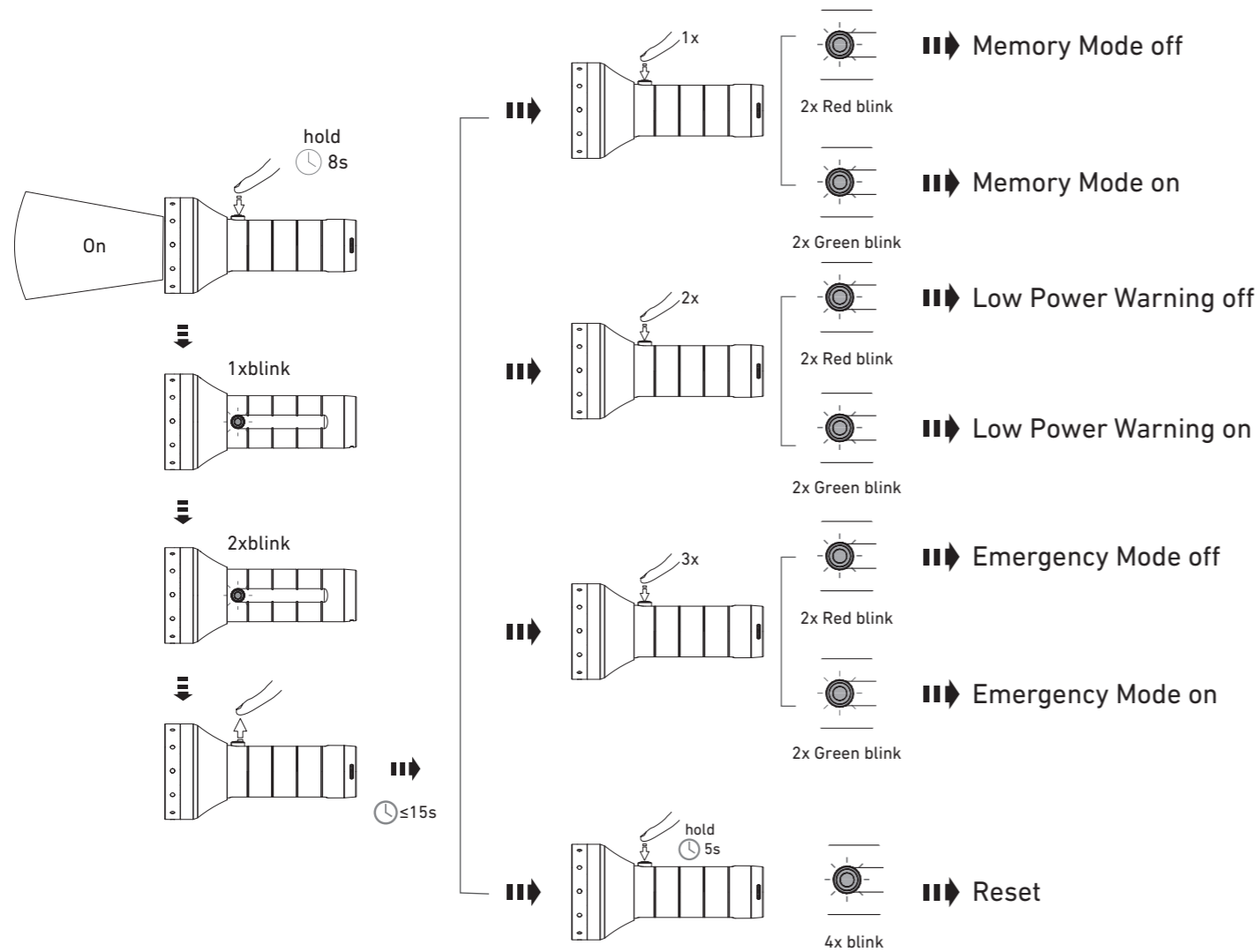
Advanced Focus System



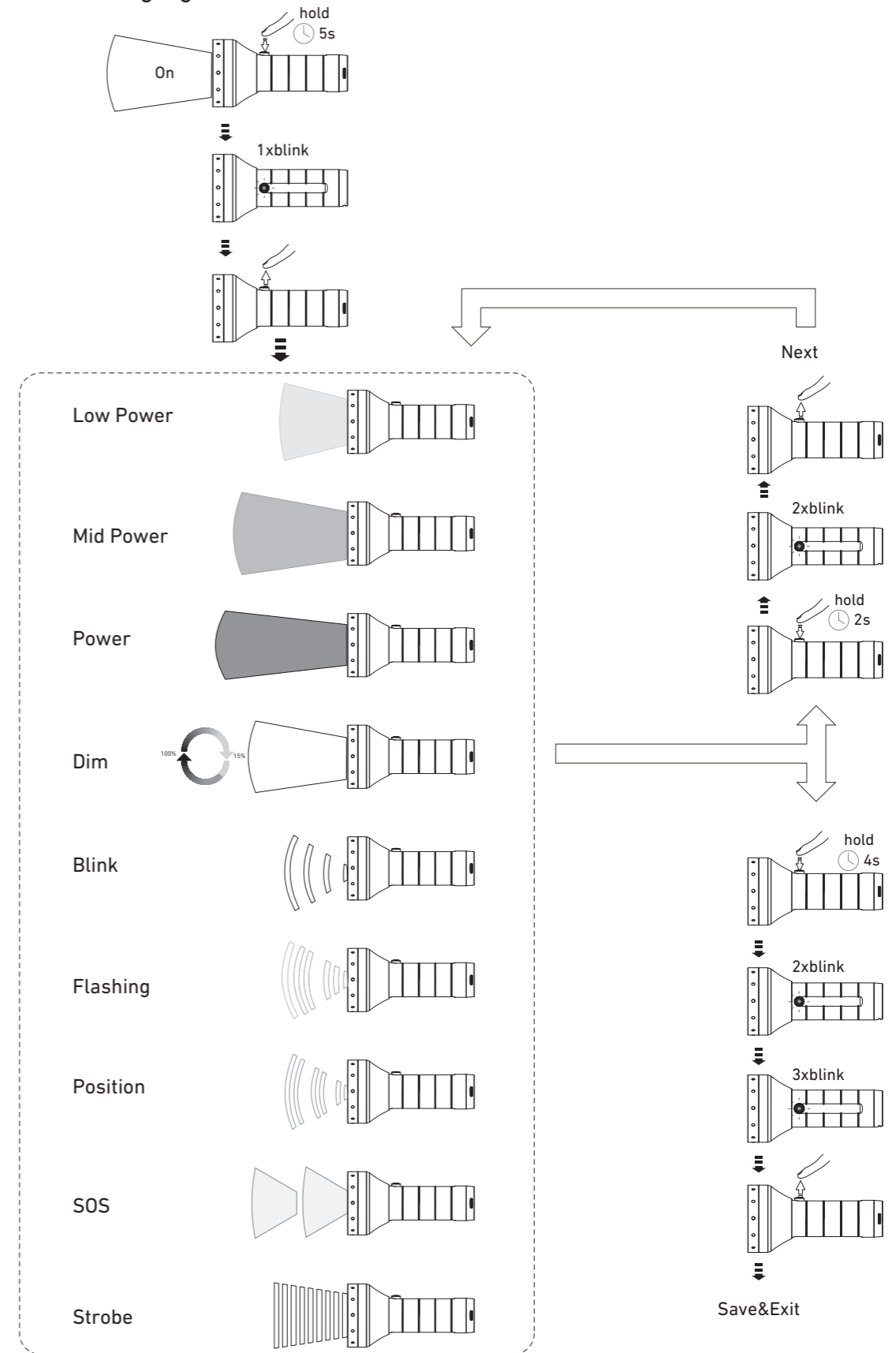
Ledlenser GmbH & Co. KG  
 Kronenstr. 5-7 • 42699 Solingen • Germany  
 Phone +49 212/5948-0 Fax +49 212/5948-200  
 info@ledlenser.com



### Customizing Functions



### Customizing Light Modes



### Further Information

This section provides further information about the flashlight models. It includes a question mark icon next to a flashlight illustration, two QR codes labeled 'P18R Work' and 'P18R Signature', and two smartphone icons representing mobile applications or information sources.