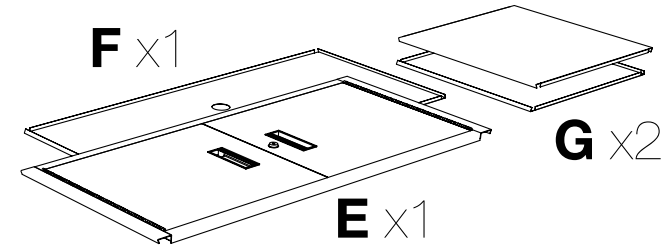
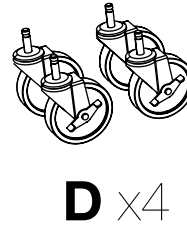
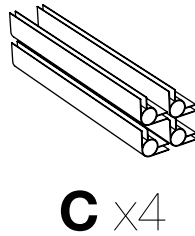
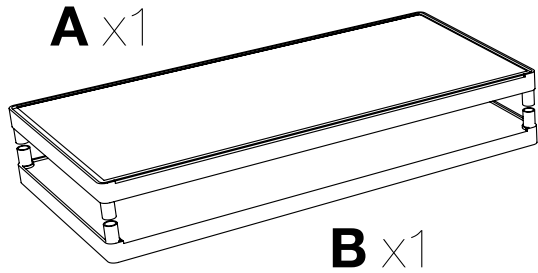


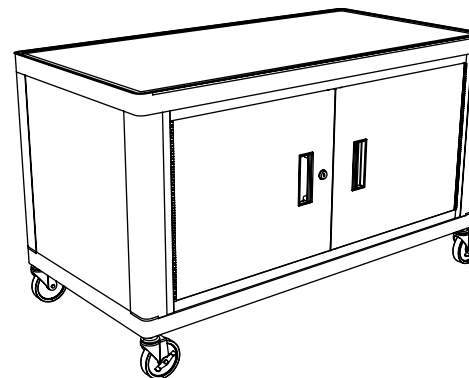
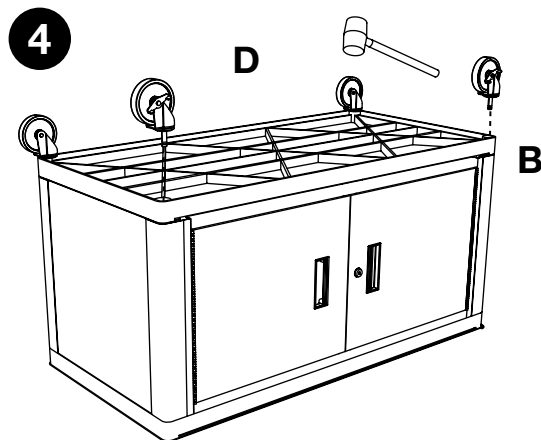
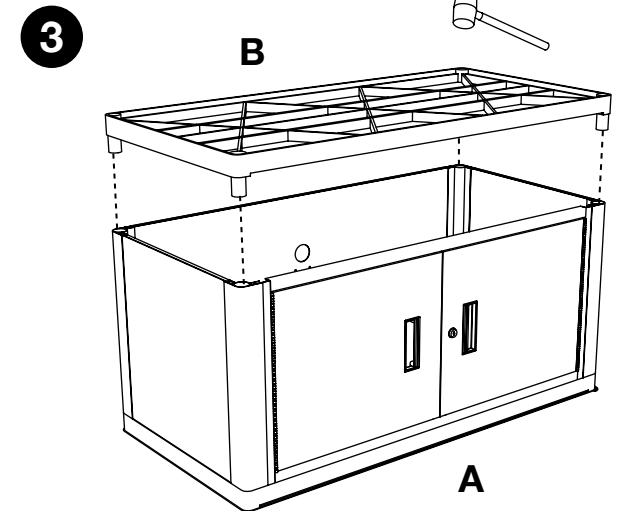
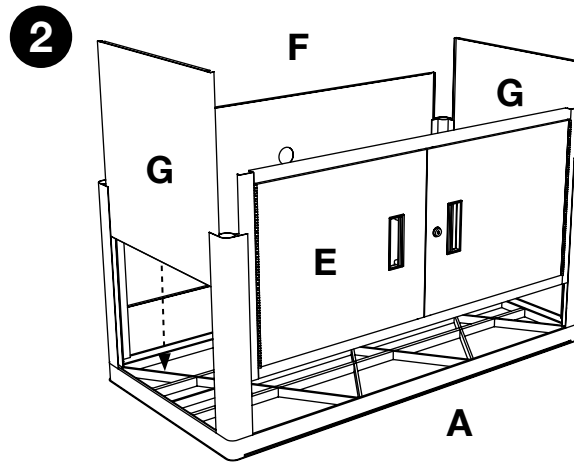
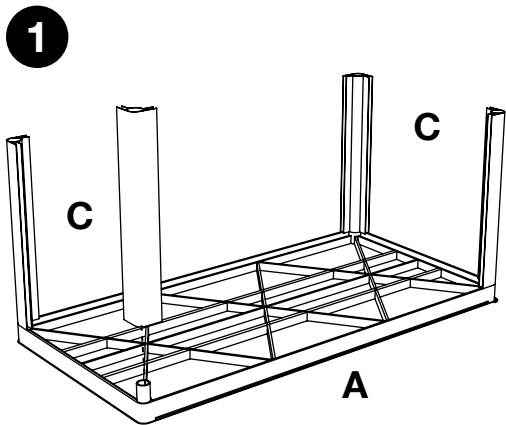
### Parts List

### Tools Required

- Rubber Mallet



- 2 Keys Included



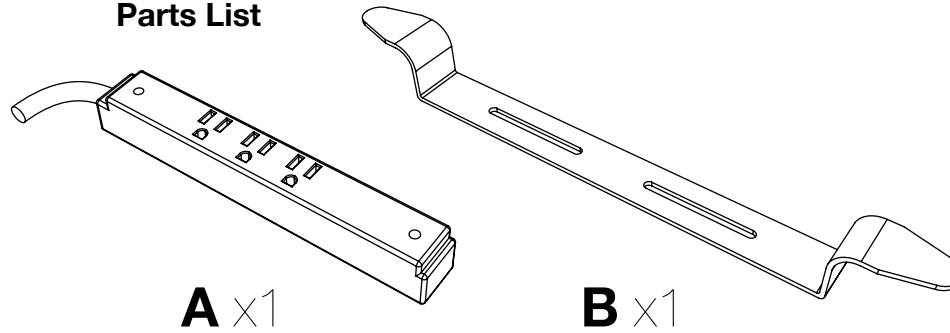
**NOTICE:**  
Mount optional electric  
assembly to the side of  
the top shelf.

www.luxorfurn.com  
www.hwilson.com

## Electric Assembly Instructions

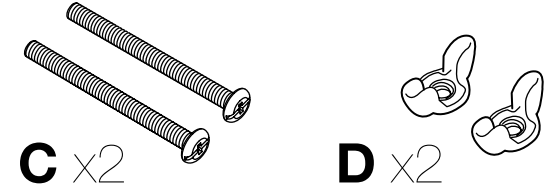
Number of outlets  
may vary.

### Parts List

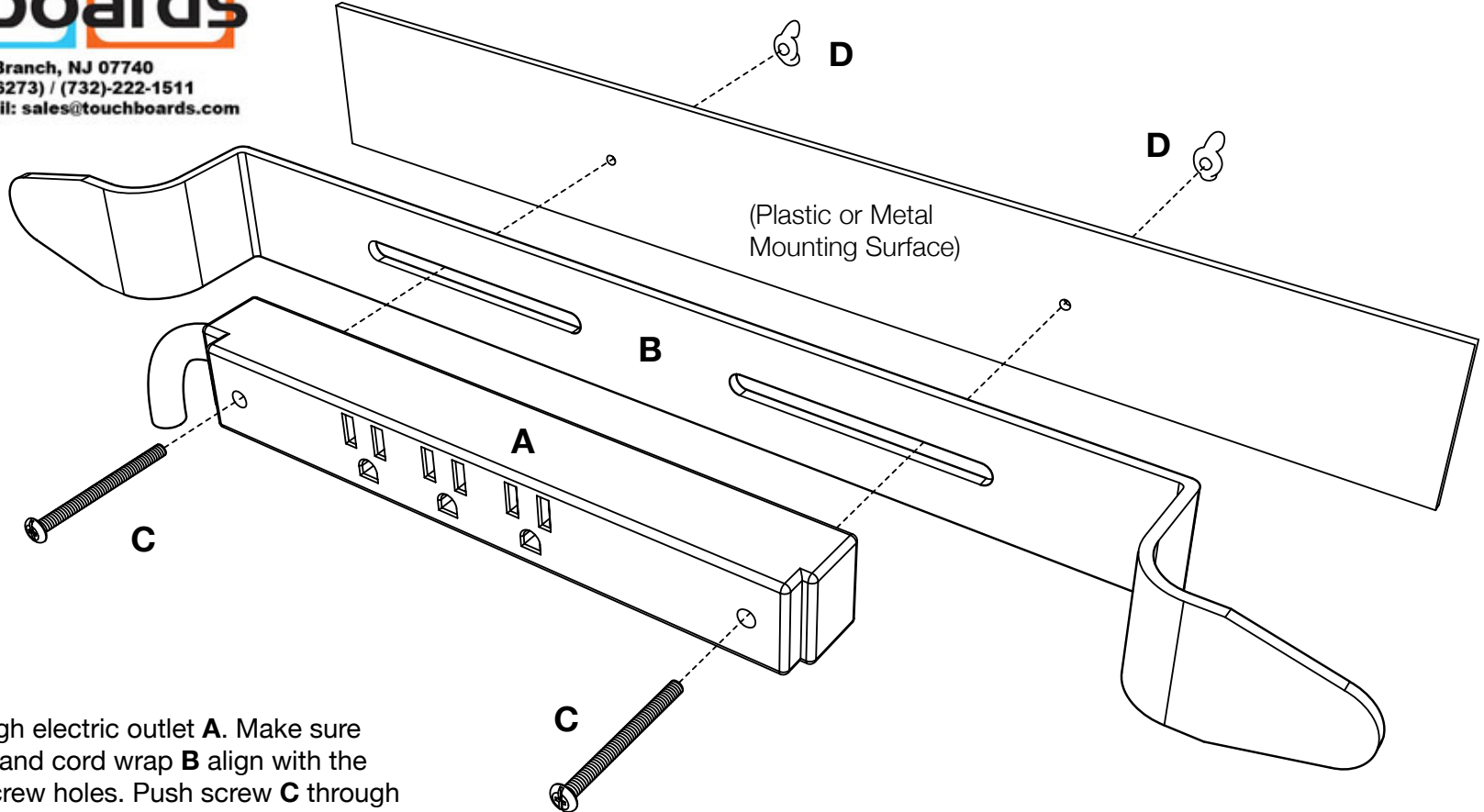


### Tools Required

- Screwdriver



205 Westwood Ave, Long Branch, NJ 07740  
Phone: 866-94 BOARDS (26273) / (732)-222-1511  
Fax: (732)-222-7088 | E-mail: sales@touchboards.com



**1**

Push screw **C** through electric outlet **A**. Make sure the electric outlet **A** and cord wrap **B** align with the mounting surface screw holes. Push screw **C** through cord wrap **B** and the mounting surface screw holes. Use wing nut **D** and screwdriver to fasten.