

Perfect-sized Display

22SM3G

## 22" Signage with More Utility for Commercial Space

With its webOS 4.0 smart platform, the 22SM3G has multiple ways to deliver information and wayfinding in Full HD on the perfect size screen for virtually any environment.



webOS Smart Platform



User Convenience



Convenient Maintenance



## High Performance System on Chip with webOS

Built-in Quad Core System on Chip (SoC) can execute several tasks at once while providing smooth content playback without the need for a media player. Also, LG webOS smart signage platform enhances user convenience with intuitive user interface and simple app development tools.



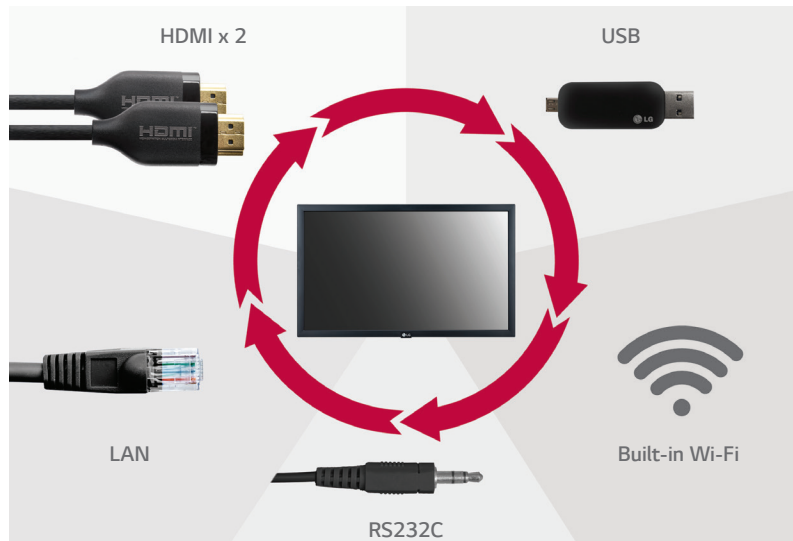
## Various Sensor Applications

LG webOS smart signage platform easily supports connections with external sensors such as GPIO, NFC/RFID, temperature sensors, etc. via USB plug-in. Convenience and usability are maximized since there is no need to purchase additional software or media players.



## A Wide Range of Interfaces

Because of its various interfaces, users can connect the display with various sources for optimal use. Also, the failover function supports users preparing backup sources in case an unexpected error occurs.



## USB Plug & Play

22SM3G supports the USB Plug & Play feature, so users can easily set content playback using a USB.





## Content Sharing

Content Mirroring among devices can quickly be accomplished over a Wi-Fi network with the 22SM3G.



## Real-time Promotion

With Beacon and Bluetooth Low Energy, store managers can provide coupons and information in real-time.

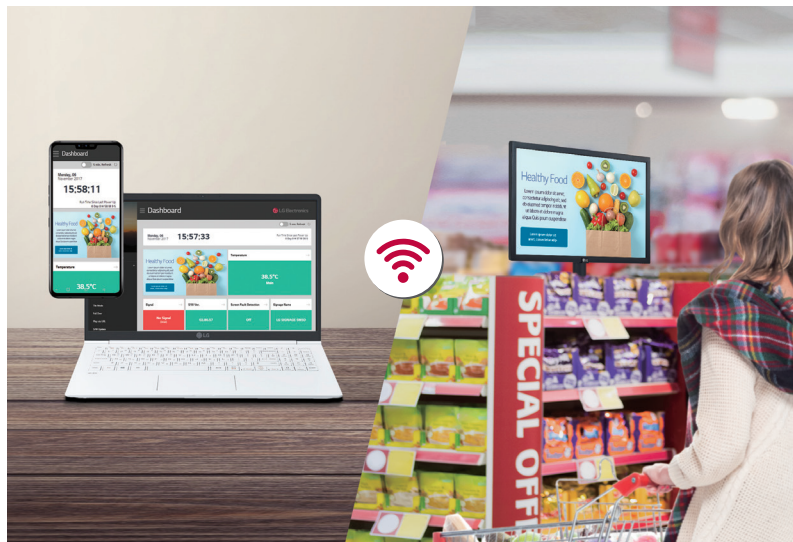
## Wireless Solution

The 22SM3G can provide a wireless access point for mobile devices to access the internet.



## Remote Monitoring and Control

Through the Control Manager, the embedded web monitoring solution, you can control and monitor the status of multiple 22SM3G displays in different locations in real-time. It is available on internet-connected devices, allowing you to flexibly and rapidly respond to urgent situations anywhere.

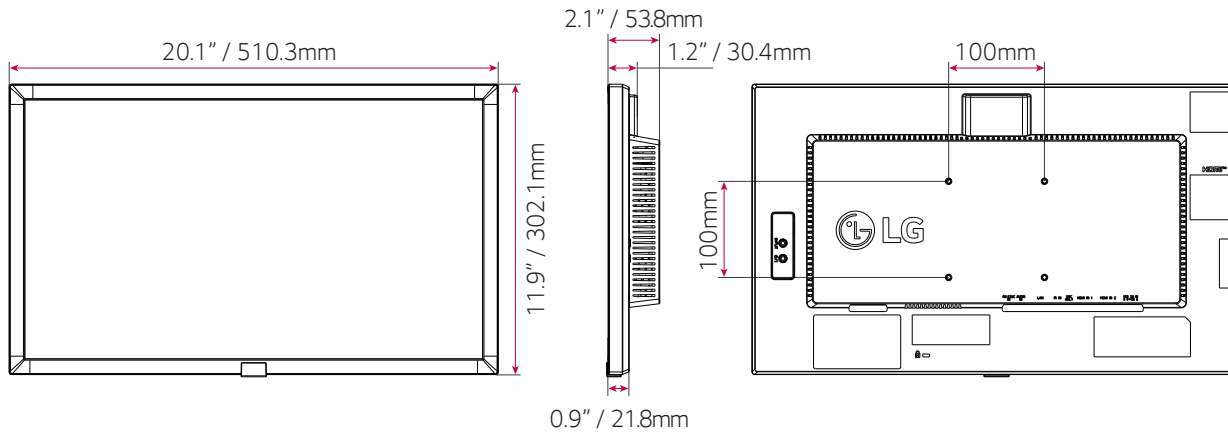


## Real-time Care Service with LG Signage365Care

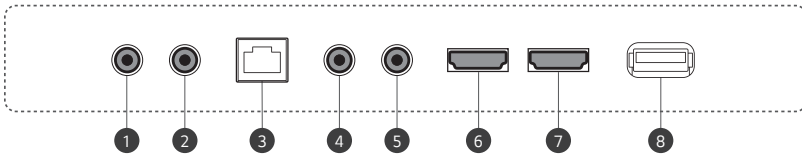
Maintenance becomes easier and faster with the optional service Signage365Care\*, a cloud service solution provided by LG service. This service remotely manages status of displays in client workplaces for fault diagnosis and remote-control services, ensuring stable operation of the client's business.



## DIMENSIONS



## CONNECTIVITY



- |              |              |
|--------------|--------------|
| 1 RS-232C IN | 5 SVC ONLY   |
| 2 AUDIO IN   | 6 HDMI IN 1  |
| 3 LAN        | 7 HDMI IN 2  |
| 4 IR IN      | 8 USB 2.0 IN |

\* Dimensions & Jack Panels (Read/Side) may differ from the above image, so please contact LG sales team to verify before ordering.

# SPECIFICATION

			22SM3G
PANEL	Screen Size		21.5"
	Panel Technology		IPS
	Aspect Ratio		16 : 9
	Native Resolution		1,920 x 1,080 (FHD)
	Refresh Rate		60 Hz
	Brightness (Typ.)		250 nits
	Contrast Ratio		1,000 : 1
	Viewing Angle (H x V)		178° x 178°
	Response Time		14ms (G to G)
	Surface Treatment (Haze)		25 %
	Life Time (Min.)		30,000 Hrs
	Operation Hours (Hours / Day)		16 / 7
	Portrait / Landscape		Both Portrait and Landscape
CONNECTIVITY	Input		HDMI (2, HDCP2.2), USB 2.0 Type A, Audio In
	External Control		RS232C In (Phone-jack), RJ45 (LAN) In, IR In
MECHANICAL SPECIFICATION	Bezel Color		Black
	Bezel Width		16.3 mm (Even Bezel)
	Weight (Head)		7.36 lbs / 3.34 kg
	Packed Weight		10.45 lbs / 4.74 kg
	Monitor Dimensions (W x H x D)		20.1" x 11.9" x 2.1" / 510.3 x 302.1 x 53.8 mm
	Carton Dimensions (W x H x D)		22.2" x 14.1" x 4.1" / 565.0 x 357.0 x 103.0 mm
	Handle		No
VESA™ Standard Mount Interface		100 x 100 mm	
KEY FEATURE	Internal Memory 8GB, Built-in Wi-Fi, Temperature Sensor, Local Key Operation, Embedded CMS (Local Contents Scheduling, Group Manager), USB Plug & Play, Fail Over, Background Image (Booting Logo Image, No Signal Image), PIP, PBP (2), Screen Share, Play via URL, Setting Data Cloning, SNMP, ISM (Image Sticking Minimization) Method, Control Manager, Crestron Connected®, Smart Energy Saving, PM Mode, Wake on LAN, Beacon, HDMI-CEC, SI Server Setting, webRTC, Pro:Idiom		
ENVIRONMENT CONDITIONS	Operation Temperature		32° F to 104° F / 0° C to 40° C
	Operation Humidity		10 % to 80 %
POWER	Power Supply		120-240 Vac, 50/60 Hz
	Power Type		Built-In Power
	Power Consumption	Typ. / Max.	30 W / 33 W
Smart Energy Saving		15 W ± 5 %	
SOUND	Speaker		1W x 2
CERTIFICATION	Safety		CB / NRTL
	EMC		FCC Class "A" / CE
	ErP / Energy Star		ErP (EU Only) Yes
SOFTWARE & SERVICES <sup>3</sup>	Content Management Software		SuperSign CMS
	Control and Monitoring Software		SuperSign Control / Control+
	Signage 365 Care		Yes
ACCESSORIES	Basic		Remote Controller, Power Cord, QSG, HDMI Cable, Phone to RS232C Gender, External IR, IR Sheet

1) Network based control 2) Compatibility may differ by equipment 3) The availability of the "Signage365Care" optional paid service differs by region.

