

LANDSCAPE GARDEN SPEAKER

★
MADE
IN THE
U.S.A.

Excellence in Audio
Envirōtainment®

OWI
WEATHERIZED
OUTDOOR / INDOOR
SPEAKERS

Installation Instruction Sheet

Note: This installation instruction is good for all LGS models.

OVALESQUE



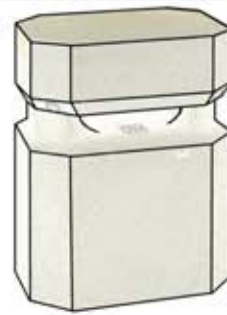
LGS100

CONE



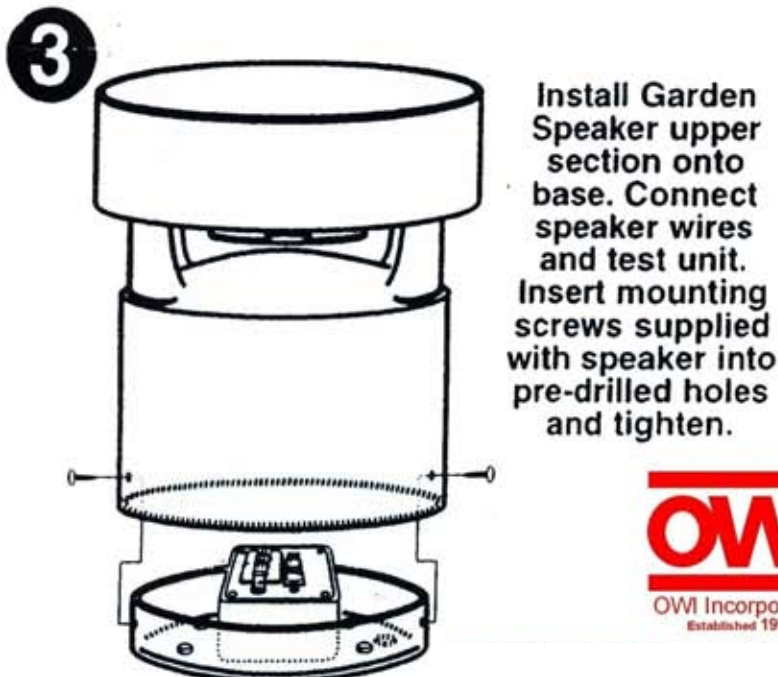
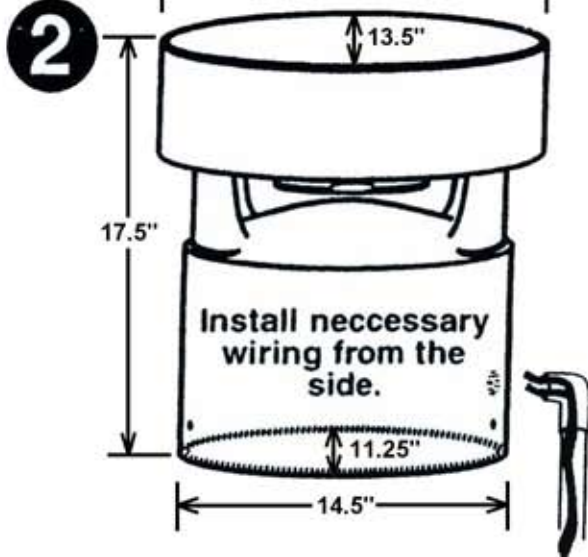
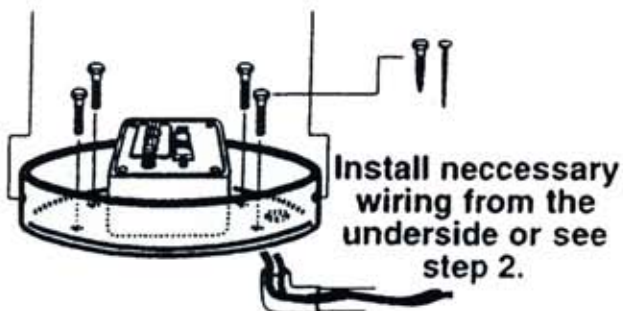
LGS300

OCTAGON

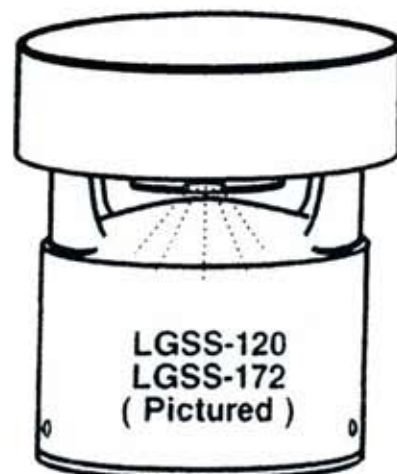


LGS400

- 1** Install Garden Speaker base to ground media using proper hardware.
(MOUNTING HARDWARE NOT INCLUDED)



- 4** Check all wiring connections and your Landscape Garden Speaker is ready.



OWI
OWI Incorporated
Established 1978

INSTALLATION SHEET

