

# LANDSCAPE GARDEN SPEAKER

MADE  
IN THE  
U.S.A.

Excellence in Audio  
**Envirōtainment**®

OWI  
WEATHERIZED  
OUTDOOR / INDOOR  
SPEAKERS

## Installation Instruction Sheet

**Note: This installation instruction is good for all LGS models.**

OVALESQUE



**LGS100**

CONE



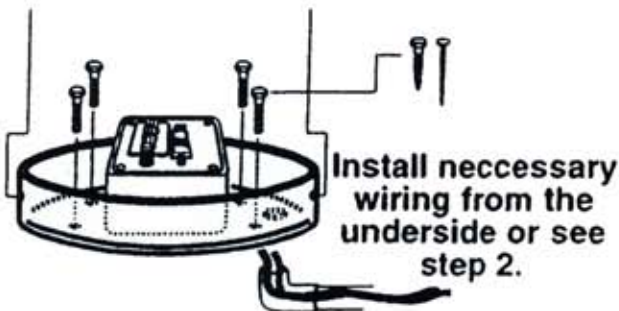
**LGS300**

OCTAGON



**LGS400**

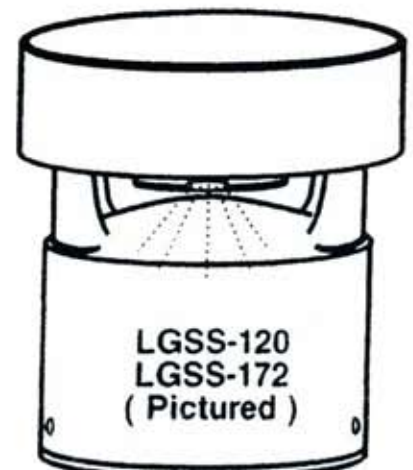
- 1** Install Garden Speaker base to ground media using proper hardware.  
( MOUNTING HARDWARE NOT INCLUDED )



- 2**
- 
- Install necessary wiring from the side.

- 3**
- 
- Install Garden Speaker upper section onto base. Connect speaker wires and test unit. Insert mounting screws supplied with speaker into pre-drilled holes and tighten.

- 4** Check all wiring connections and your Landscape Garden Speaker is ready.



**OWI**  
OWI Incorporated  
Established 1978

## INSTALLATION SHEET

