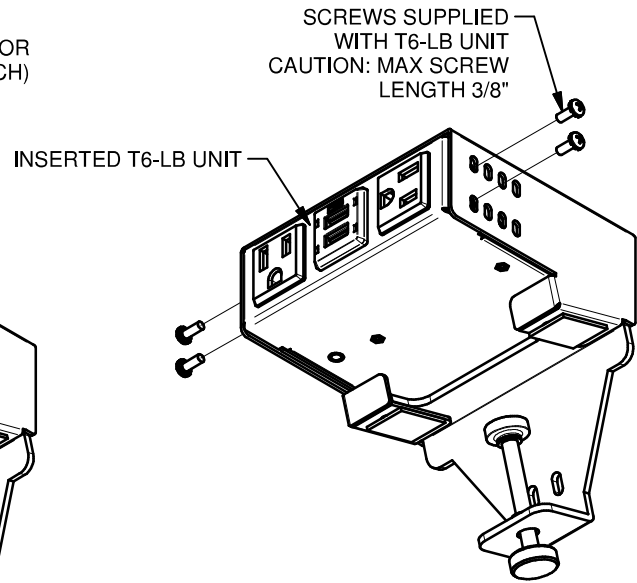
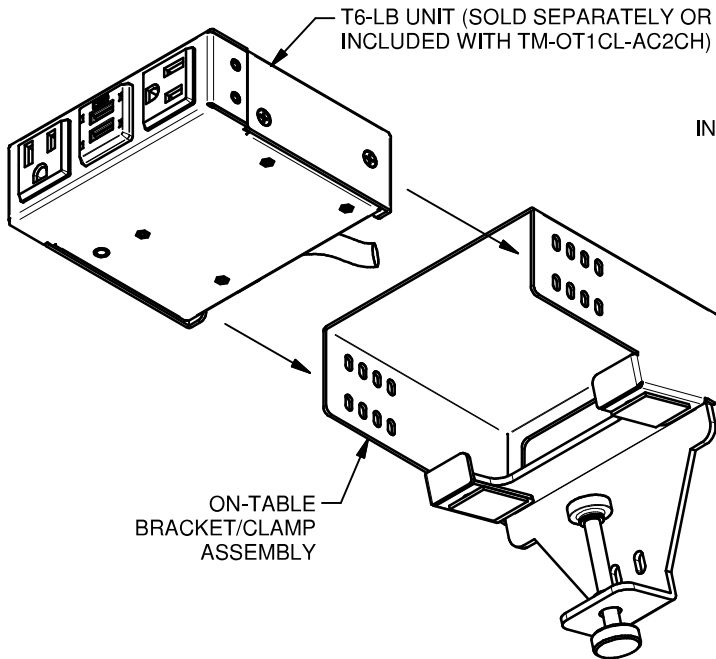


1. INSERT FSR SERIES T6-LB UNIT (SOLD SEPARATELY OR INCLUDED WITH TM-OT1CL-AC2CH) INTO BRACKET.

2. SECURE FSR SERIES T6-LB UNIT TO BRACKET WITH SUPPLIED SCREWS.



3. LOCATE AND SECURE TO TABLE BY TIGHTENING THUMB SCREW. MAKE ELECTRICAL CONNECTIONS AS REQUIRED.

