

Part List:

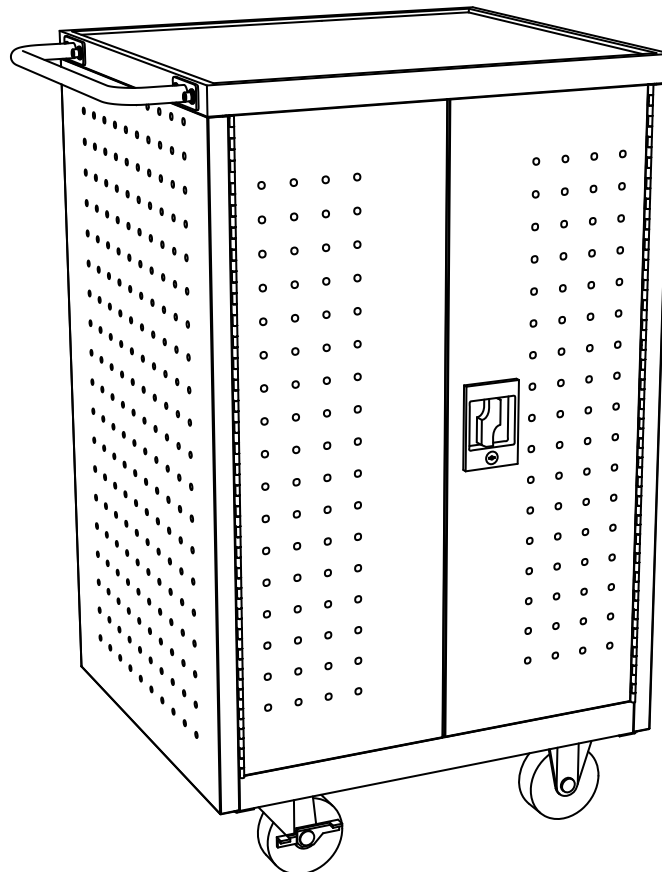
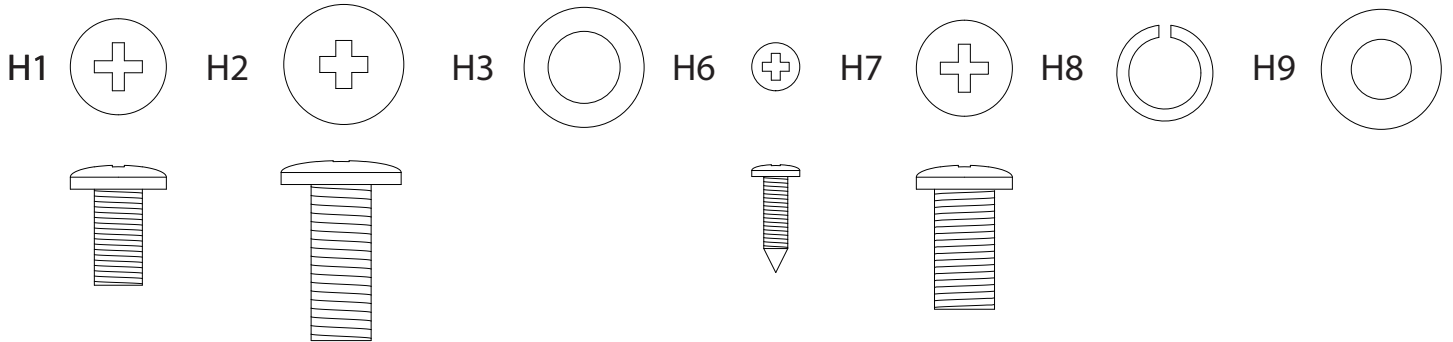
- 1 1 x Left Side Panel
- 2 1 x Left Back Panel
- 3 1 x Right Side Panel
- 4 1 x Right Back Panel
- 5 1 x Top Panel
- 6 1 x Bottom Panel
- 7 1 x Back Door Panel
- 8 1 x Left Door Panel
- 9 1 x Right Door Panel
- 10 1 x Handle
- 11 7 x Shelf Panel

Hardware List:

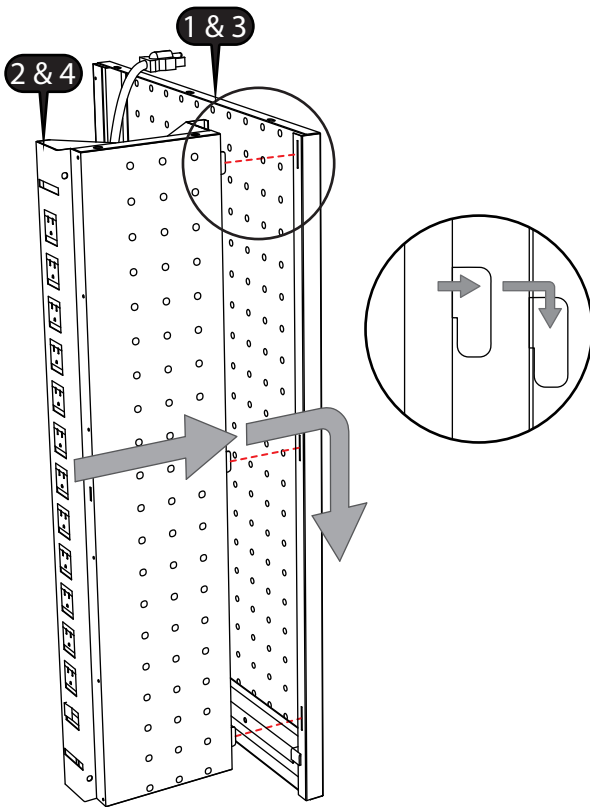
- H1 14 x Small Screw (M6 x 12mm)
- H2 20 x Large Screw (M8 x 20mm)
- H3 20 x Washer (M8)
- H4 2 x Straight Caster
- H5 2 x Locking Swivel Caster
- H6 18 x Metal Screw (M4 x 10mm)
- H7 4 x Handle Screw (M8 x 15mm)
- H8 4 x Handle Lock Washer (M8)
- H9 4 x Handle Washer (M8)
- H10 28 x Shelf Clip

Tool List:

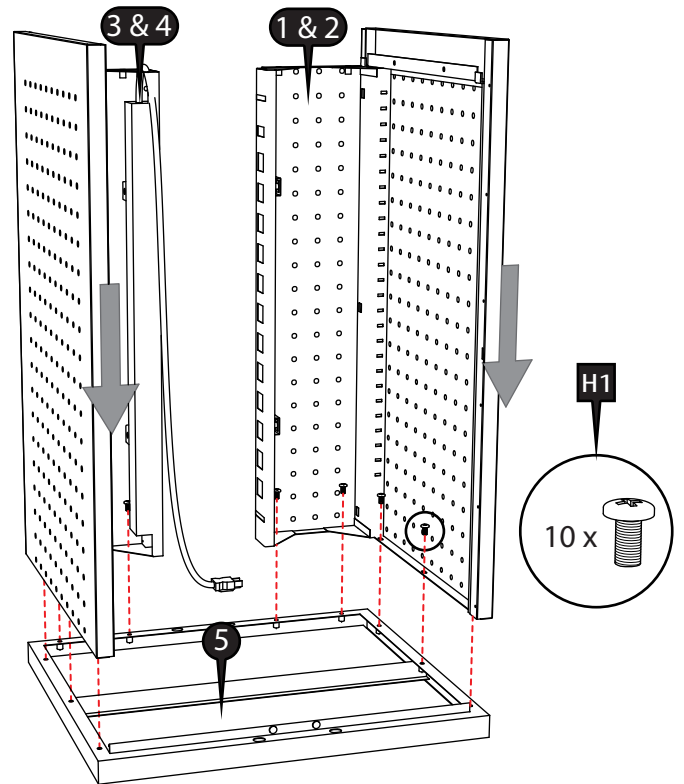
- Required Tool (not supplied):
 1 x Large Phillips Screw Driver



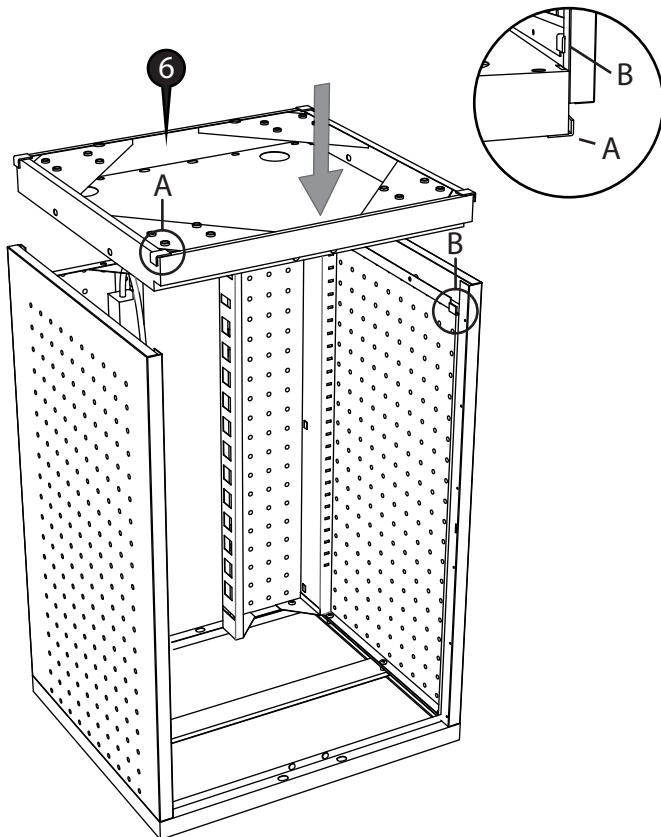
- 1** Attach the left back (1) to the left side panel (2).
Attach the right back (2) to the right side panel (4).



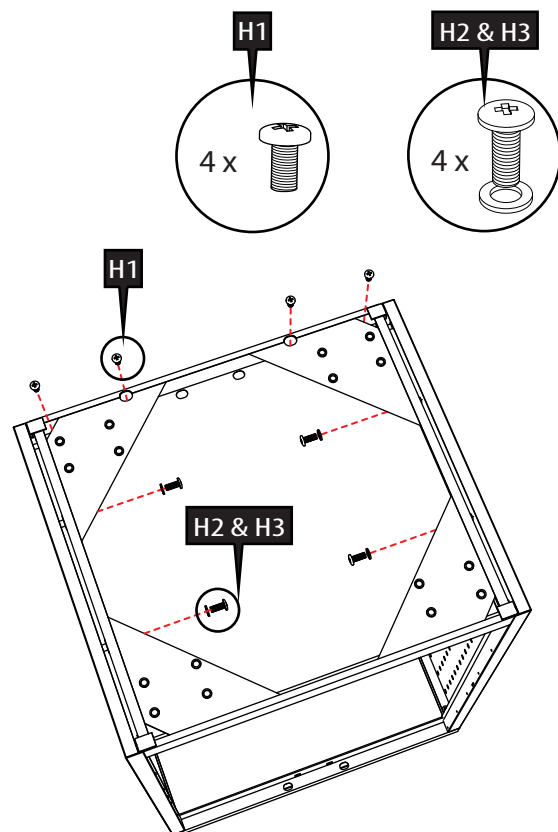
- 2** Place the assembled left (1&2) and right side (3&4) onto the top panel (5). Screw into place with 10 screws (H1).



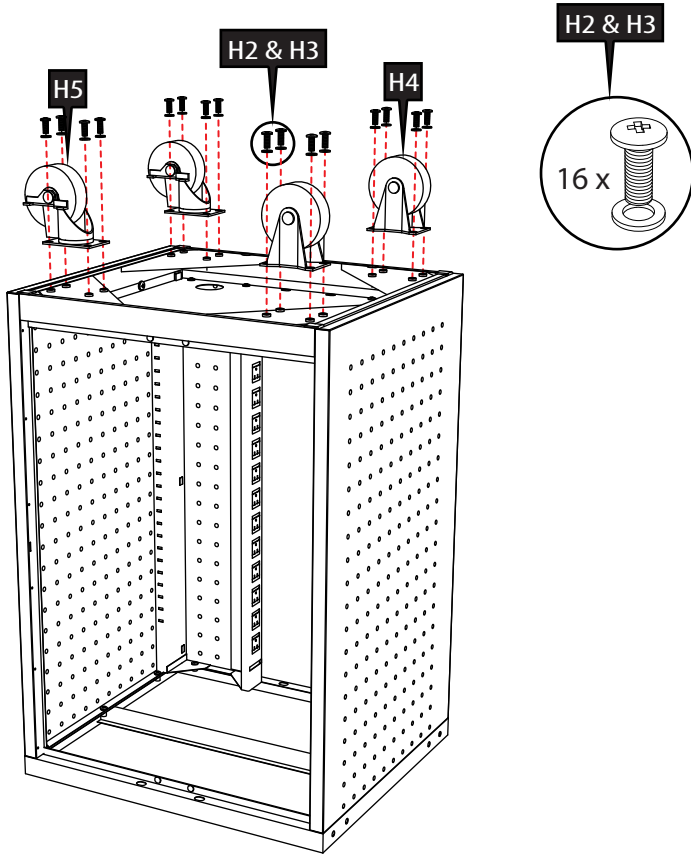
- 3** Place the bottom panel (6) onto the assembly.
With a light force, secure into place.



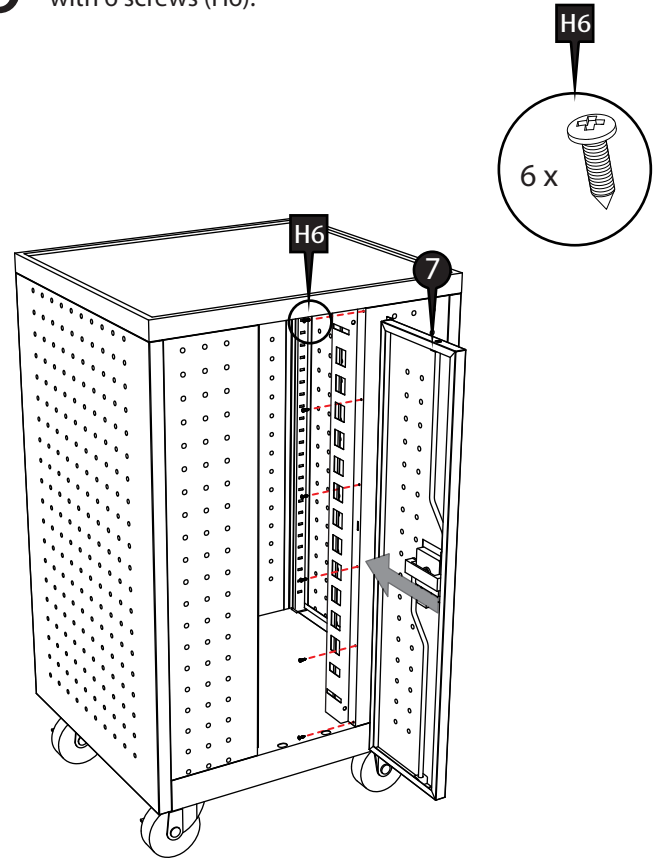
- 4** Screw the bottom into the assembly with 4 screws (H1),
and 4 larger washer and screws (H2&H3).



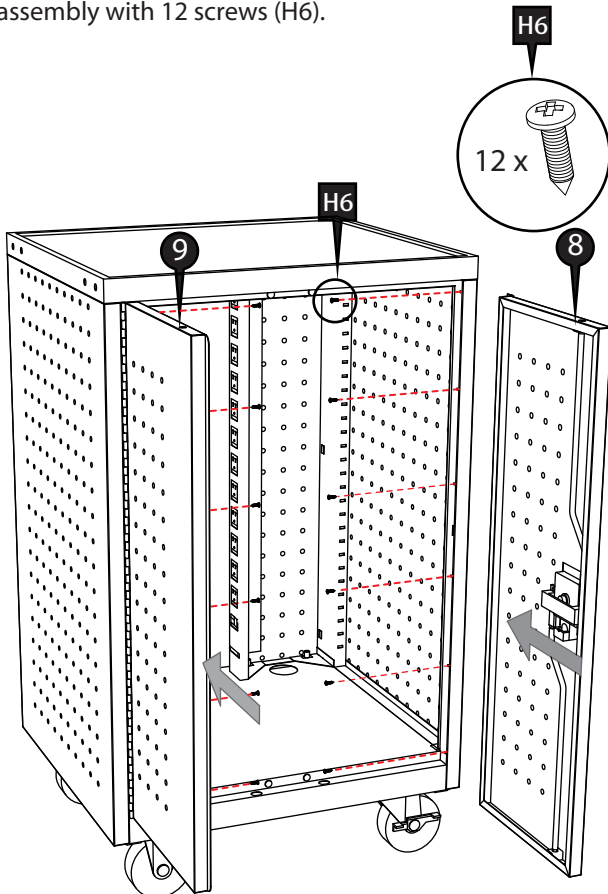
5 Attach the casters (H4 & H5) to the assembly with 16 screws and washers (H2 & H3).



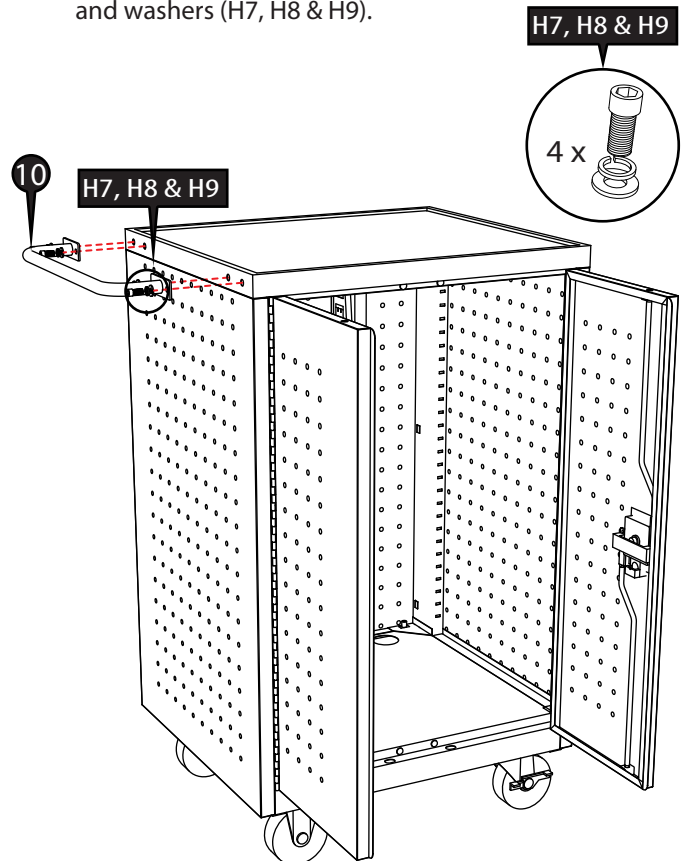
6 Attach the small back door (7) to the assembly with 6 screws (H6).



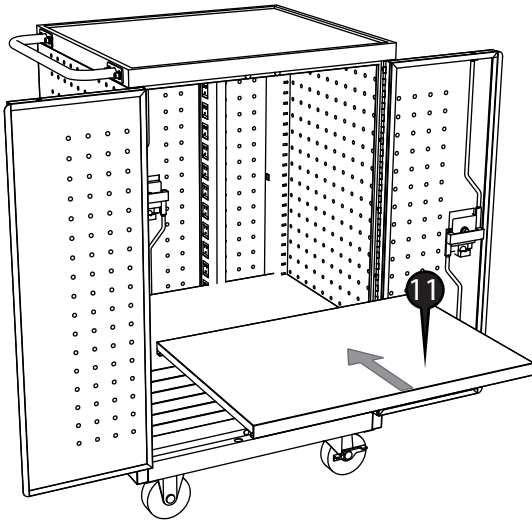
7 Attach the left and right front doors (8 & 9) to the assembly with 12 screws (H6).



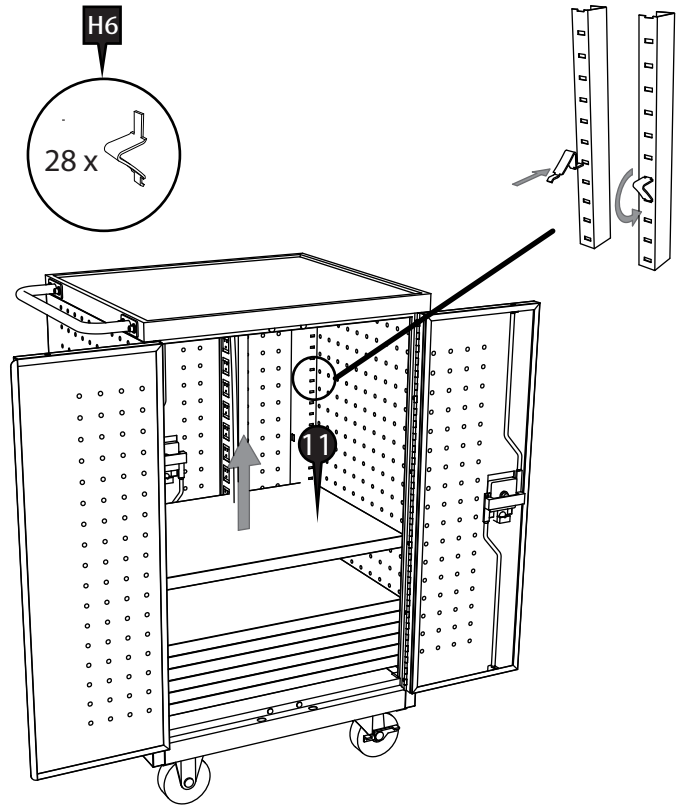
8 Using the supplied Allen wrench, Attach the handle (10) to the assembly with 4 screw, lock washers and washers (H7, H8 & H9).



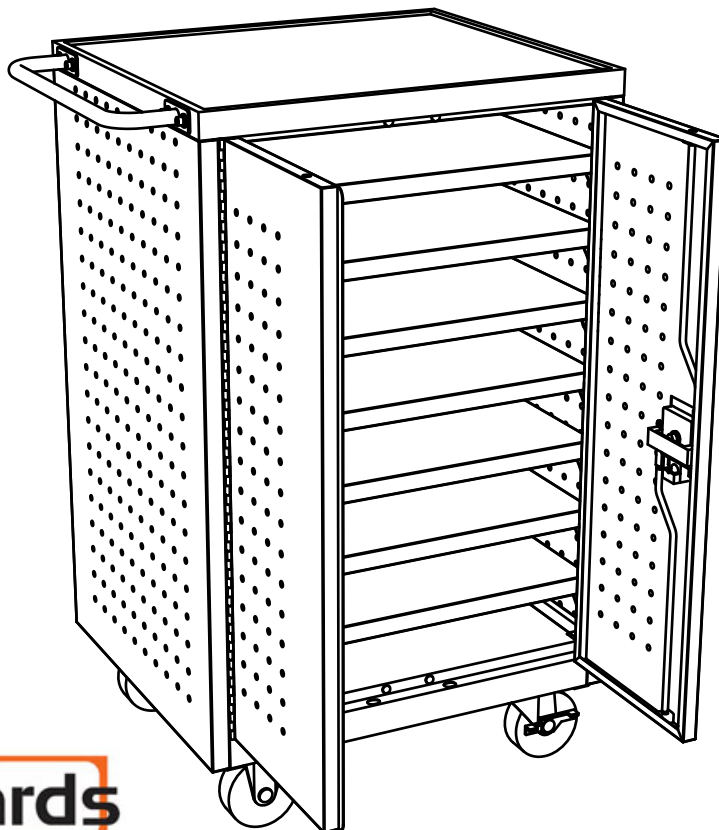
9 Stack the 7 shelves (11) into the assembly.



10 Evenly distribute the 28 shelf clips (H10) along the shelf rails, and lock them into place. Set the shelves (11) on the clips.



You have completed the assembly.



Touchboards

205 Westwood Ave, Long Branch, NJ 07740
Phone: 866-94 BOARDS (26273) / (732)-222-1511
Fax: (732)-222-7088 | E-mail: sales@touchboards.com