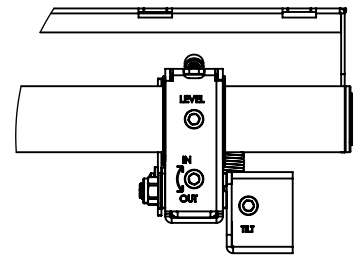
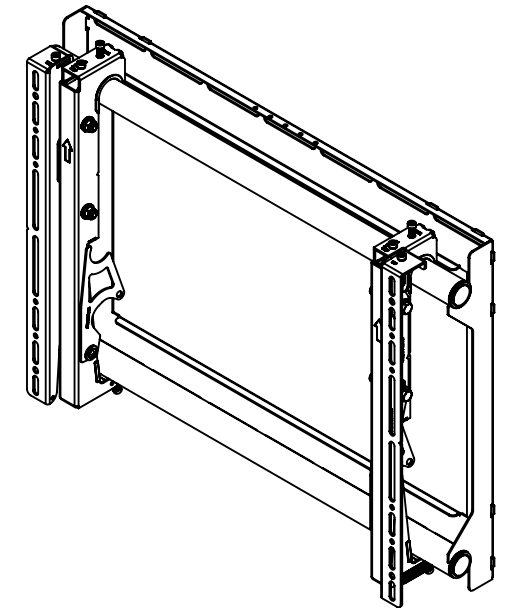


THE INFORMATION CONTAINED IN THIS DRAWING IS THE SOLE PROPERTY OF PREMIER MOUNTS DIVISION OF <PMPI> ANY REPRODUCTION IN PART OR WHOLE WITHOUT THE WRITTEN PERMISSION OF PREMIER MOUNTS DIVISION OF <PMPI> IS PROHIBITED.

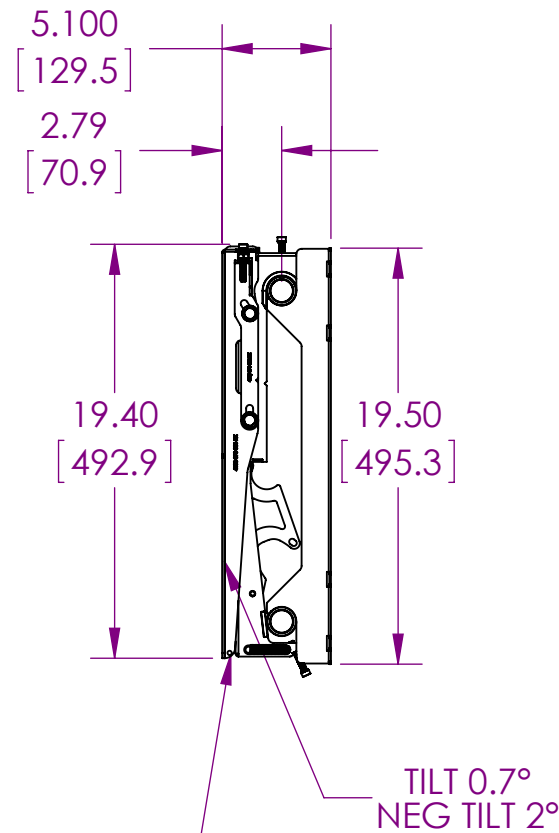
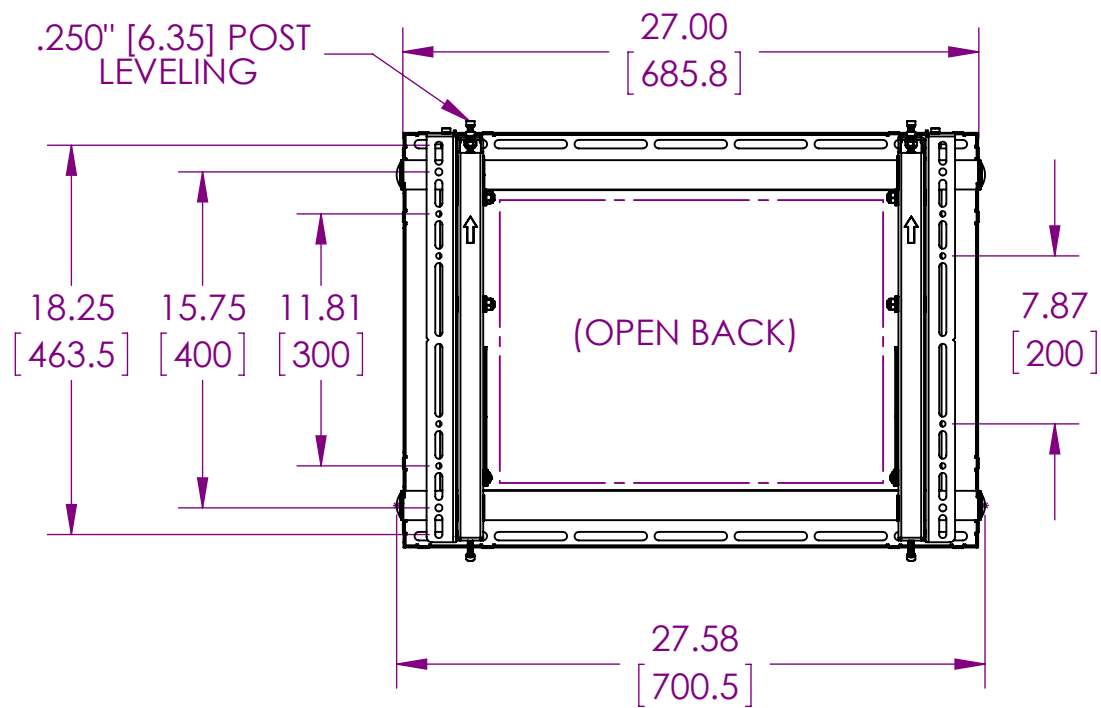
CENTRALIZED ADJUSTMENTS
ALIGN THE DISPLAY ON THE X, Y AND Z PLANE. LOCATED ON TOP OF THE MOUNTING BRACKETS



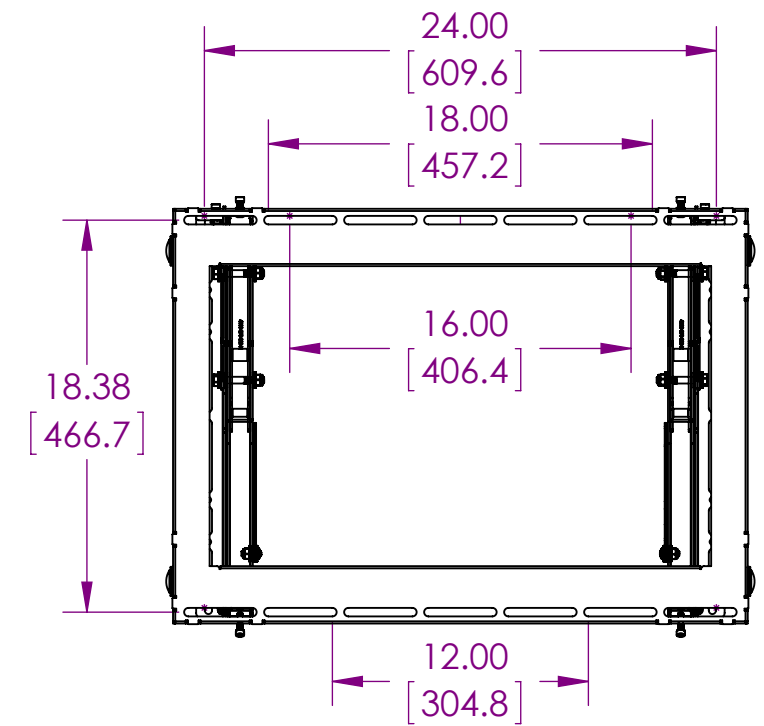
DETAIL A
SCALE 1 : 4



VESA PATTERN
(200X200 MIN - 600 X 400 MAX)



SERVICE POSITION



IN/OUT TOTAL
ADJUSTMENT .250" [6.35]

DIMENSION ARE IN INCH AND [MM]
MAXIMUM WEIGHT CAPACITY 160 LBS

PREMIER MOUNTS
1321 South State College Blvd
Fullerton Ca, 92831
P. 800.368.9700 - F. 800.832.4888

ITEM DESCRIPTION:
FLAT VIDEO WALL MOUNT

SIZE B	DWG. NO. LMVF
SCALE: 1:9	
SHEET 1 OF 1	