

# Fixed Flat Panel Video Wall Mount

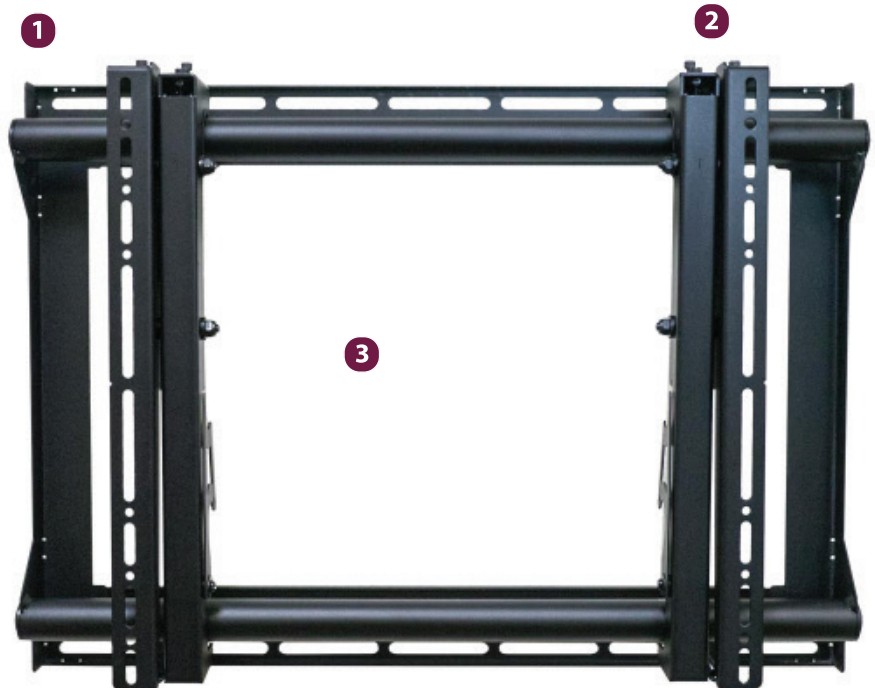
Model: **LMVF**

Weight Capacity: 160 lb / 72 kg.

## Features

- 1** Can be combined with LMV Press & Release™ mount to create an affordable video wall
  - 2** Top-adjustable fine-tune mounting brackets ensure easy display alignment
  - 3** Small base frame size provides quick and easy installation
- Service kickstand provides 16° of rear display access
  - Laser cut, precision design spacers ensure seamless alignment without the need for time consuming adjustments

The LMVF Fixed Flat Panel Video Wall Mount is a video wall mounting solution which features multi-monitor stacking, open design, a built-in kickstand for easy service access, custom spacers and top-adjustable mounting brackets with convenient adjustments along the x,y, and z axis for easy panel alignment. The LMVF may be used instead of the LMV in areas of a video wall where access to a display is possible without the LMV's Press & Release™ extension feature.



Service kickstand provides 16° of rear display access



Top-adjustable fine-tune mounting brackets ensure easy display alignment



Can be combined with LMV Press & Release™ mount for an affordable video wall

# Fixed Flat Panel Video Wall Mount

## LMVF


### Specifications

<b>Weight</b> 21 lb.   9.5 kg	<b>Color</b> Black	<b>Mounting Pattern</b> 200 x 200 mm (Min) x 600 x 400 mm (Max)
<b>Width x Height x Depth</b> 27.58 x 19.5 x 5.1 in.   701 x 495 x 130 mm	<b>Total Weight Capacity</b> 160 lb.   72 kg	<b>Warranty</b> Lifetime

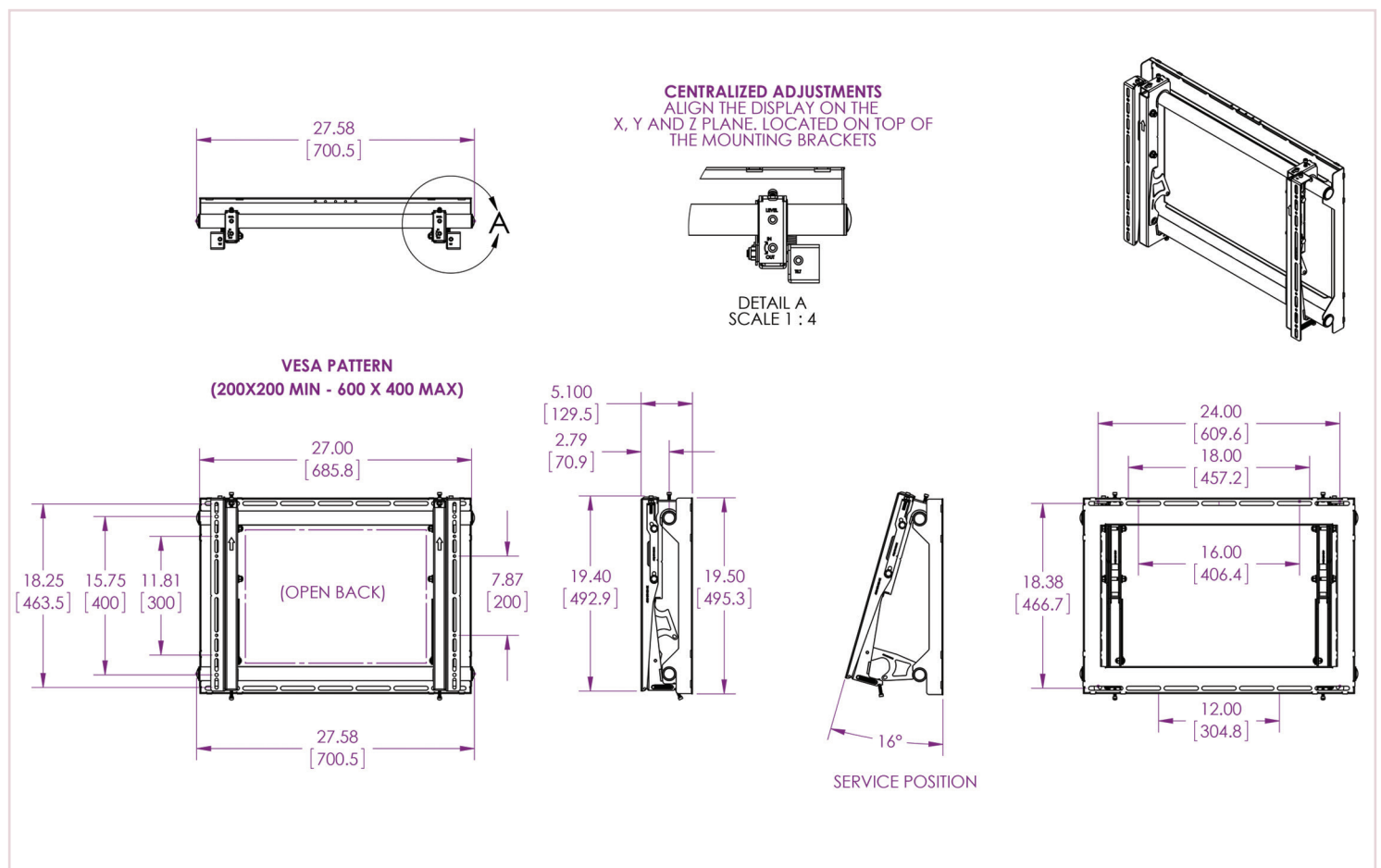
### Packaging

<b>Width x Height x Depth</b> 32 x 23.75 x 3.75 in.   813 x 603 x 95 mm	<b>Contents</b> Mount (x1), Adapter Arms (x2), Universal Hardware Pack (x1)
----------------------------------------------------------------------------	--------------------------------------------------------------------------------

### Accessories

 In-wall A/V and Power GearBox™ <b>GB-INWAVPB</b>	 Model-Specific Video Wall Spacer <b>LMV-345</b>	 Model-Specific Video Wall Spacer <b>LMV-406</b>
---------------------------------------------------------------------------------------------------------------------------------------	--------------------------------------------------------------------------------------------------------------------------------------	----------------------------------------------------------------------------------------------------------------------------------------

### Architectural Drawing



Specifications subject to change without notice