

[www.luxorfurn.com](http://www.luxorfurn.com)  
[www.hwilson.com](http://www.hwilson.com)

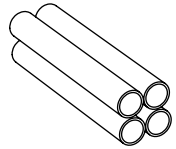
### Parts List

### Tools Required

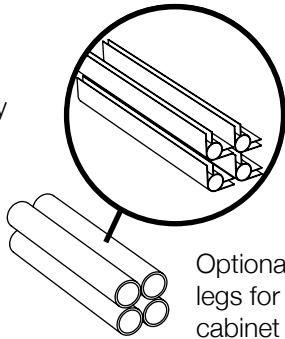
- Rubber Mallet

#### NOTICE:

Leg lengths of leg **E** may be shorter than leg **F**

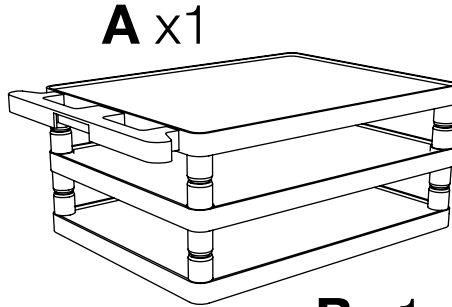


**E x4**



**F x4**

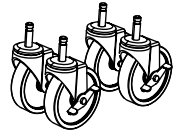
Optional fluted legs for units with cabinet pack



**A x1**

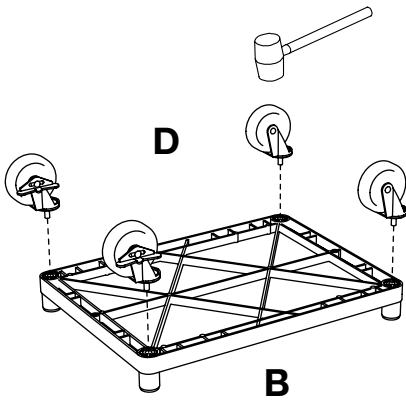
**C x1**

**B x1**



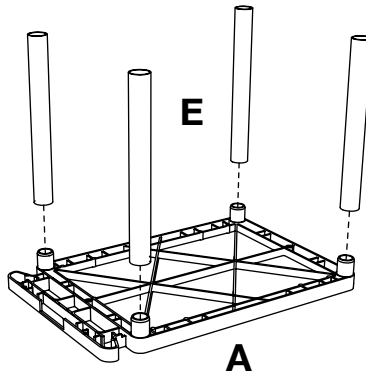
**D x4**

**1**

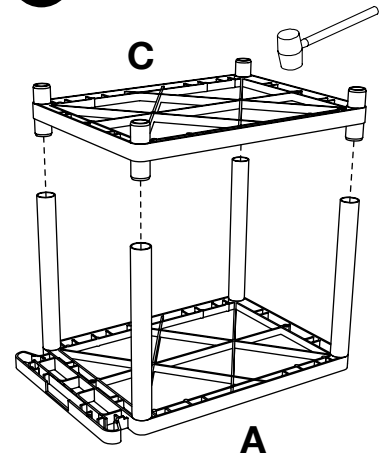


**2**

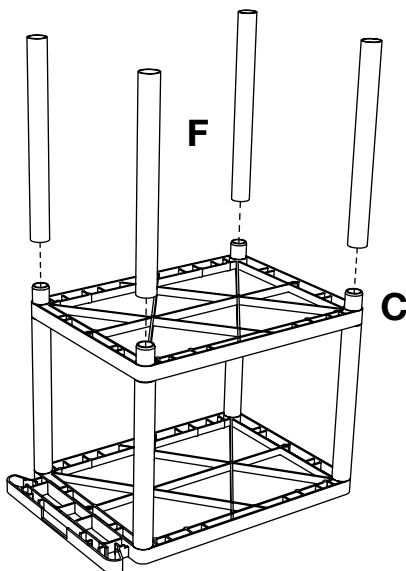
Install optional cabinet pack / pullout shelf / electrical assembly after step 1



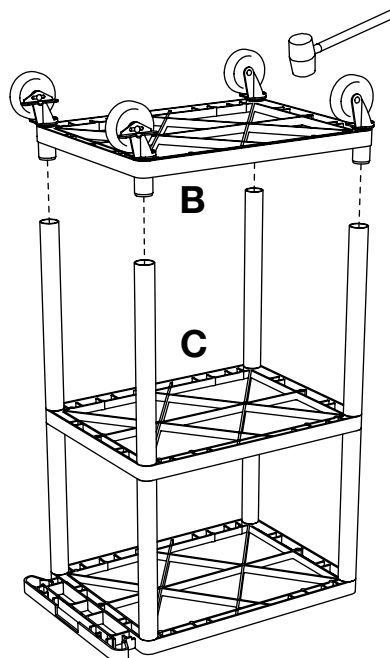
**3**



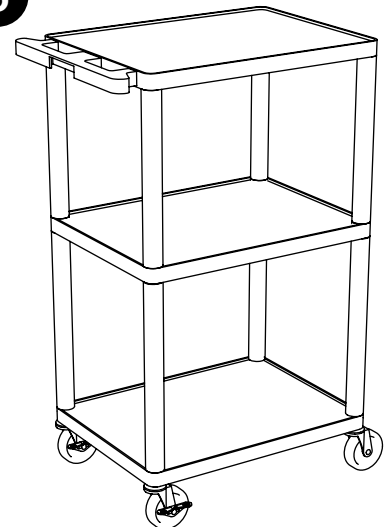
**4**



**5**



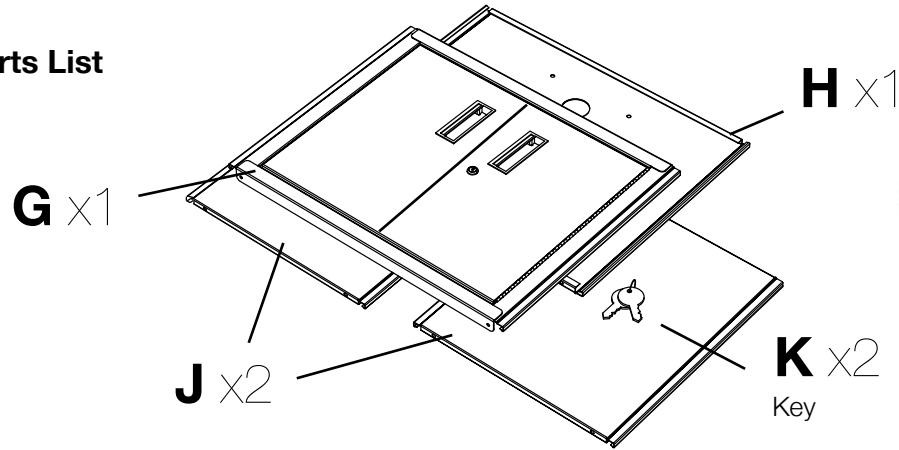
**6**



## Plastic Cart Cabinet Pack Instructions

Please consult your cart base unit instructions before starting

### Parts List



### Tools Required

- Rubber Mallet

# Touchboards

205 Westwood Ave, Long Branch, NJ 07740  
Phone: 866-94 BOARDS (26273) / (732)-222-1511  
Fax: (732)-222-7088 | E-mail: sales@touchboards.com

- 1** **IMPORTANT:** Flip shelf **B**, and lock the 2 locking casters **D** before assembling the unit.

