

www.luxorfurn.com  
www.hwilson.com

Parts List

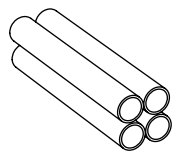
Tools Required

- Rubber Mallet

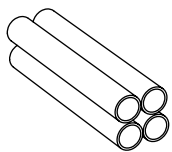
### Touchboards

205 Westwood Ave, Long Branch, NJ 07740  
Phone: 866-94 BOARDS (26273) / (732)-222-1511  
Fax: (732)-222-7088 | E-mail: sales@touchboards.com

**NOTICE:**  
Leg lengths may vary by model

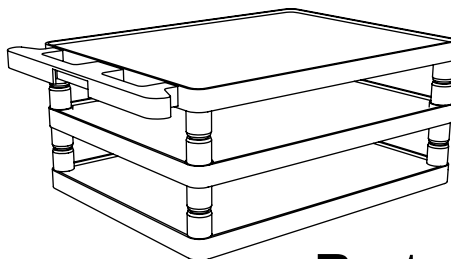


**E x4**



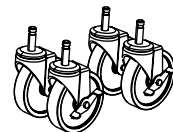
**F x4**

**A x1**



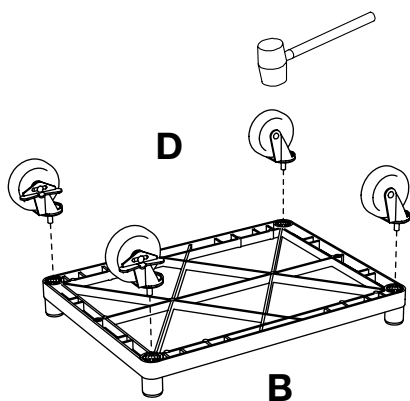
**B x1**

**C x1**



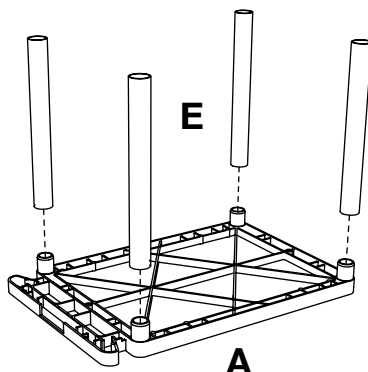
**D x4**

**1**

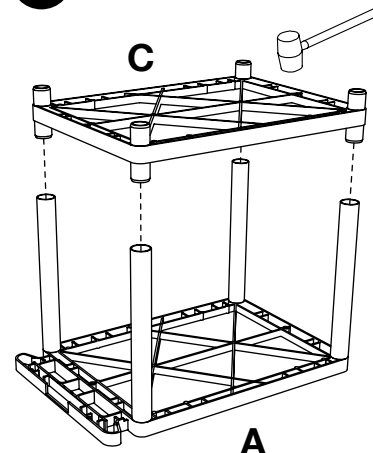


**2**

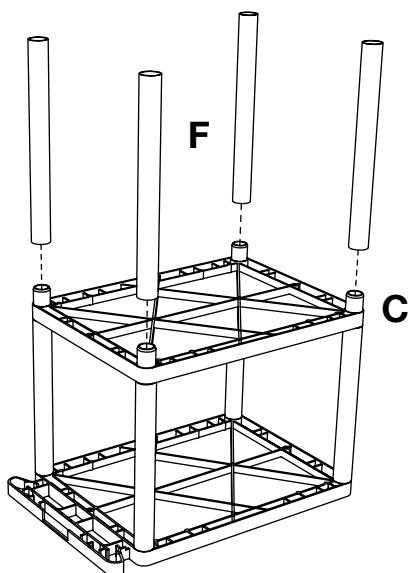
Install optional cabinet pack / pullout shelf / electrical assembly after step 1



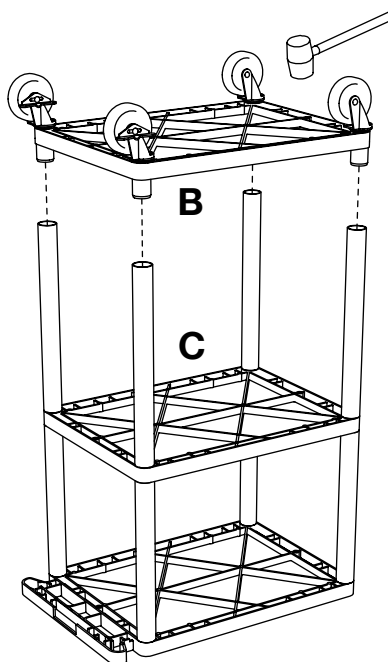
**3**



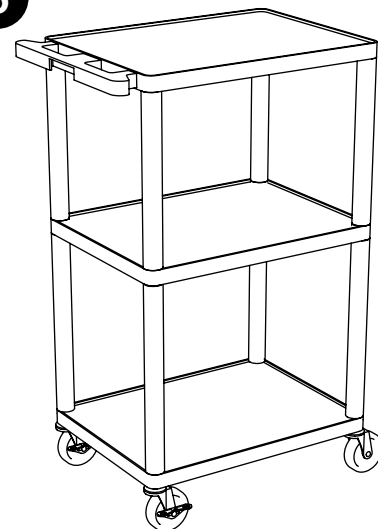
**4**



**5**



**6**



www.luxorfurn.com  
www.hwilson.com

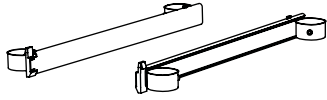
### Parts List

### Tools Required

- Phillips Screwdriver



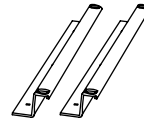
**G** x1



**H** x1



**K** x1



**L** x2

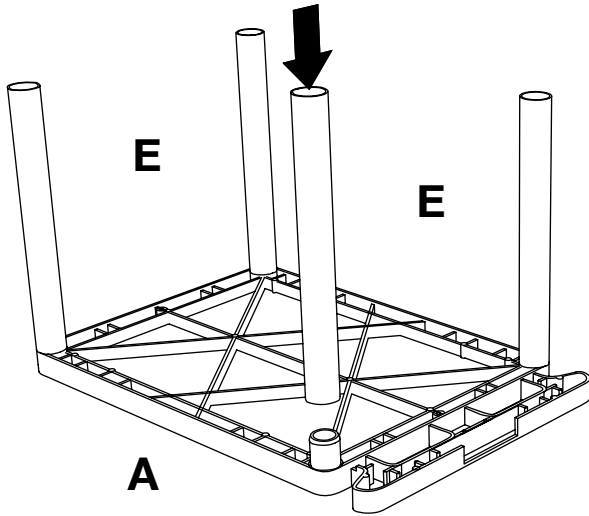


**M** x6

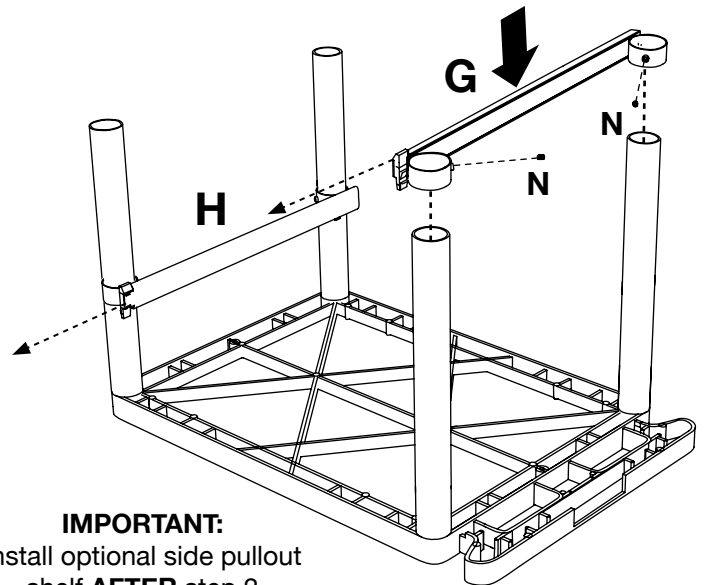


**N** x4

- 1** Lay the top shelf of your cart upside down and install the four legs intended for this shelf.

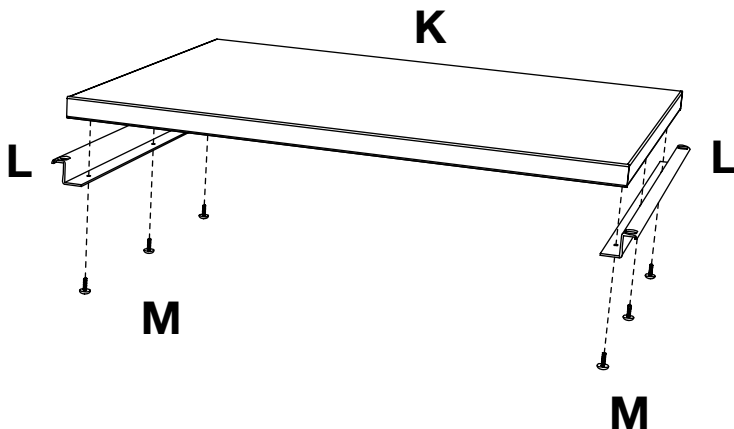


- 2** Slide and align runner **G** & **H** onto the legs and tighten screw **N** with allen wrench **P**.

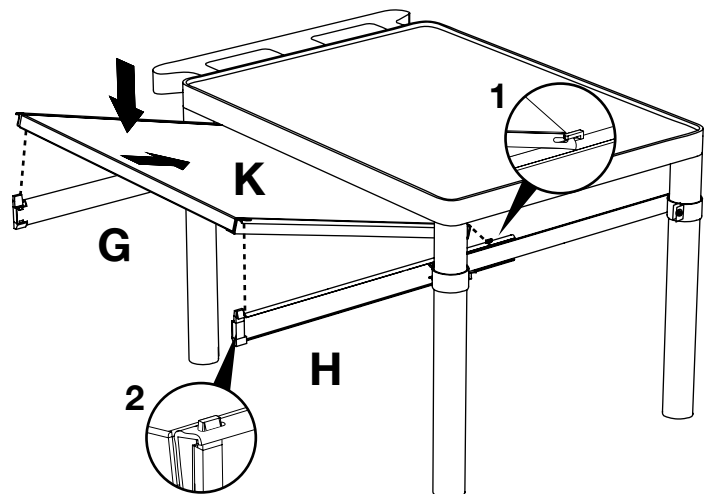


**IMPORTANT:**  
Install optional side pullout shelf **AFTER** step 2

- 3** Take pullout shelf **K** and bracket **L** and screw together into the unfinished surface of shelf **K** with screw **M**.

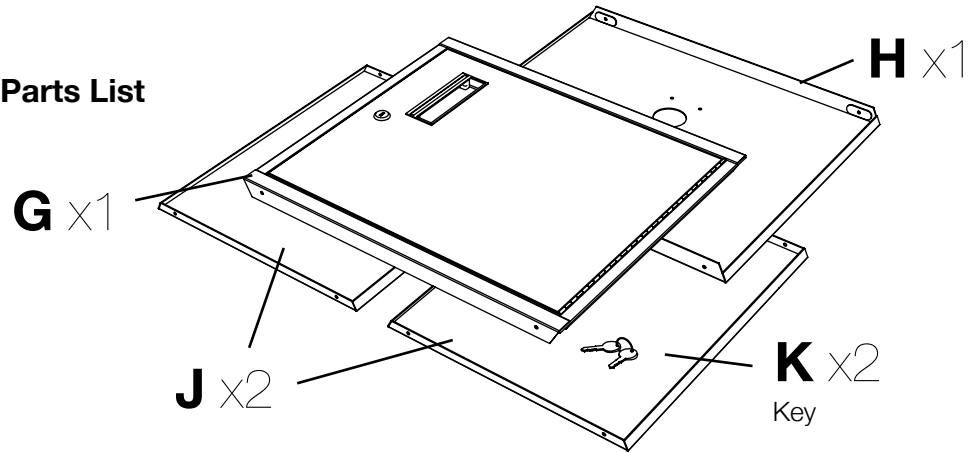


- 4** Mount pullout shelf **K** to runner **G** & **H** so that the edge of the shelf snaps into the runner hooks.



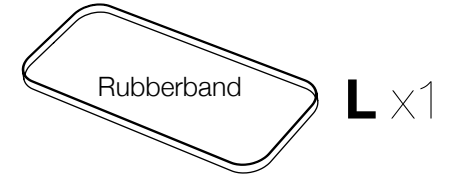
You have now completed your pullout shelf.

## Parts List



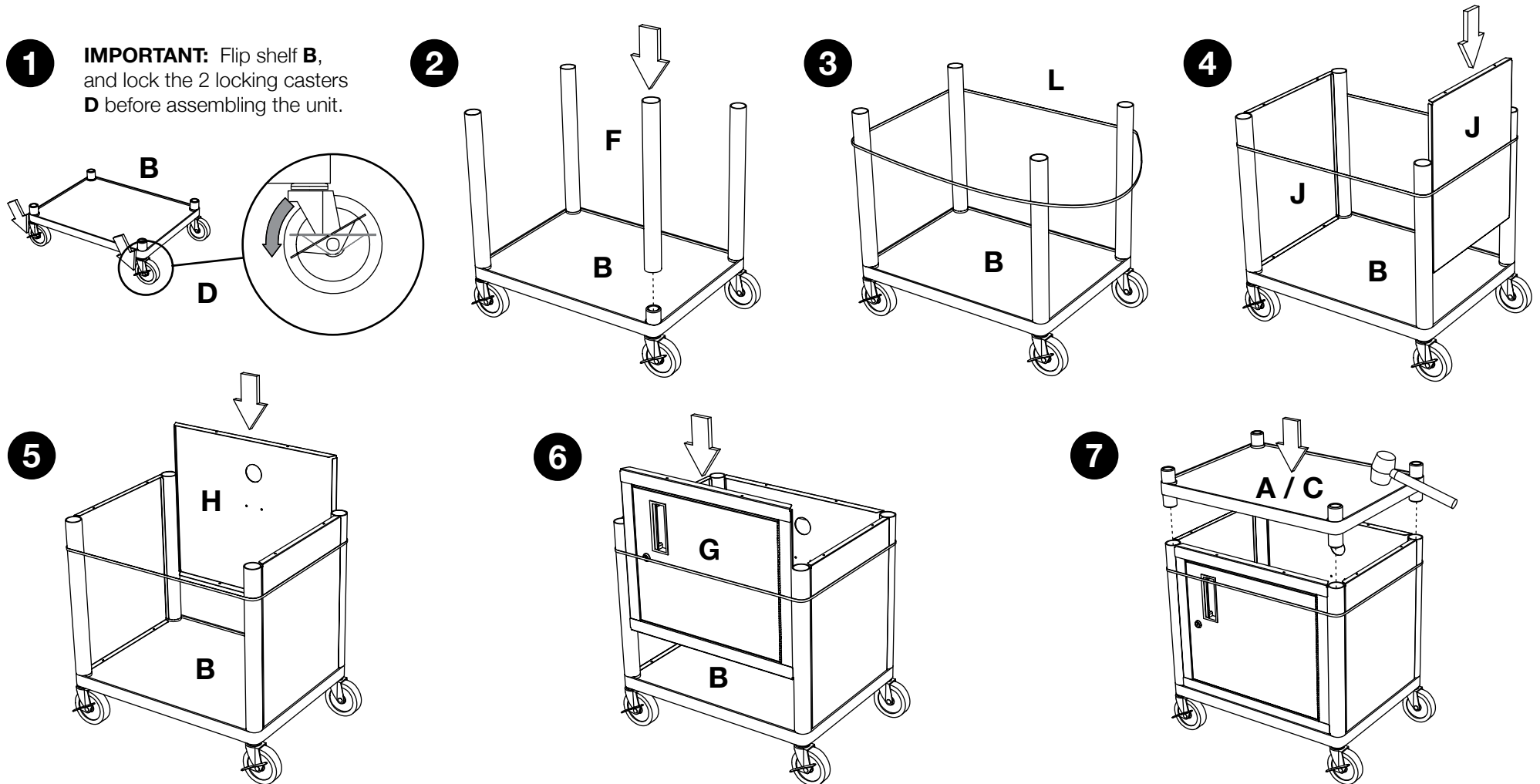
## Tools Required

- Rubber Mallet



## LP + LE Cart Cabinet Pack Instructions

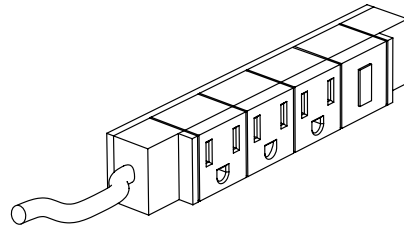
Please consult your cart base unit instructions before starting



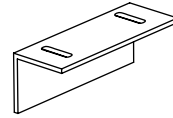
www.luxorfurn.com  
www.hwilson.com

## LP + LE Electrical Assembly Instructions

### Parts List



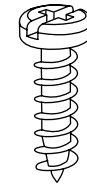
**F** x1



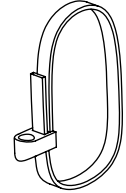
**G** x1

### Tools Required

- Philips Screwdriver



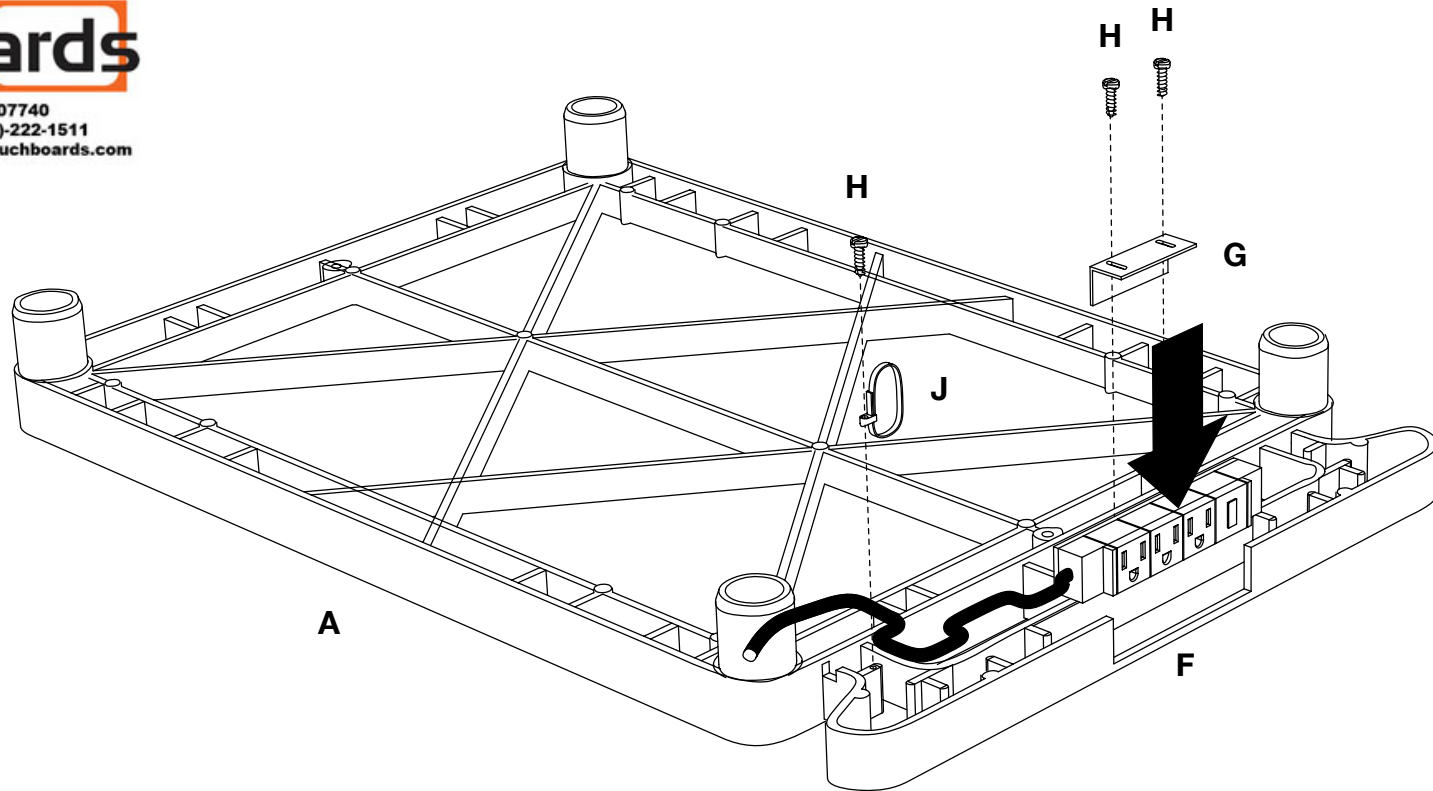
**H** x3



**J** x1

# Touchboards

205 Westwood Ave, Long Branch, NJ 07740  
Phone: 866-94 BOARDS (26273) / (732)-222-1511  
Fax: (732)-222-7088 | E-mail: sales@touchboards.com



**1**

Attach electric outlet **F** to top shelf **A**, secure with L bracket **G** and cable lock **J**. Loop outlet cable **F** through cable lock **J** and the inserts on shelf **A**. Screw L bracket **G** and cable lock **J** onto top shelf **A** with screw **H** and a philips screwdriver.